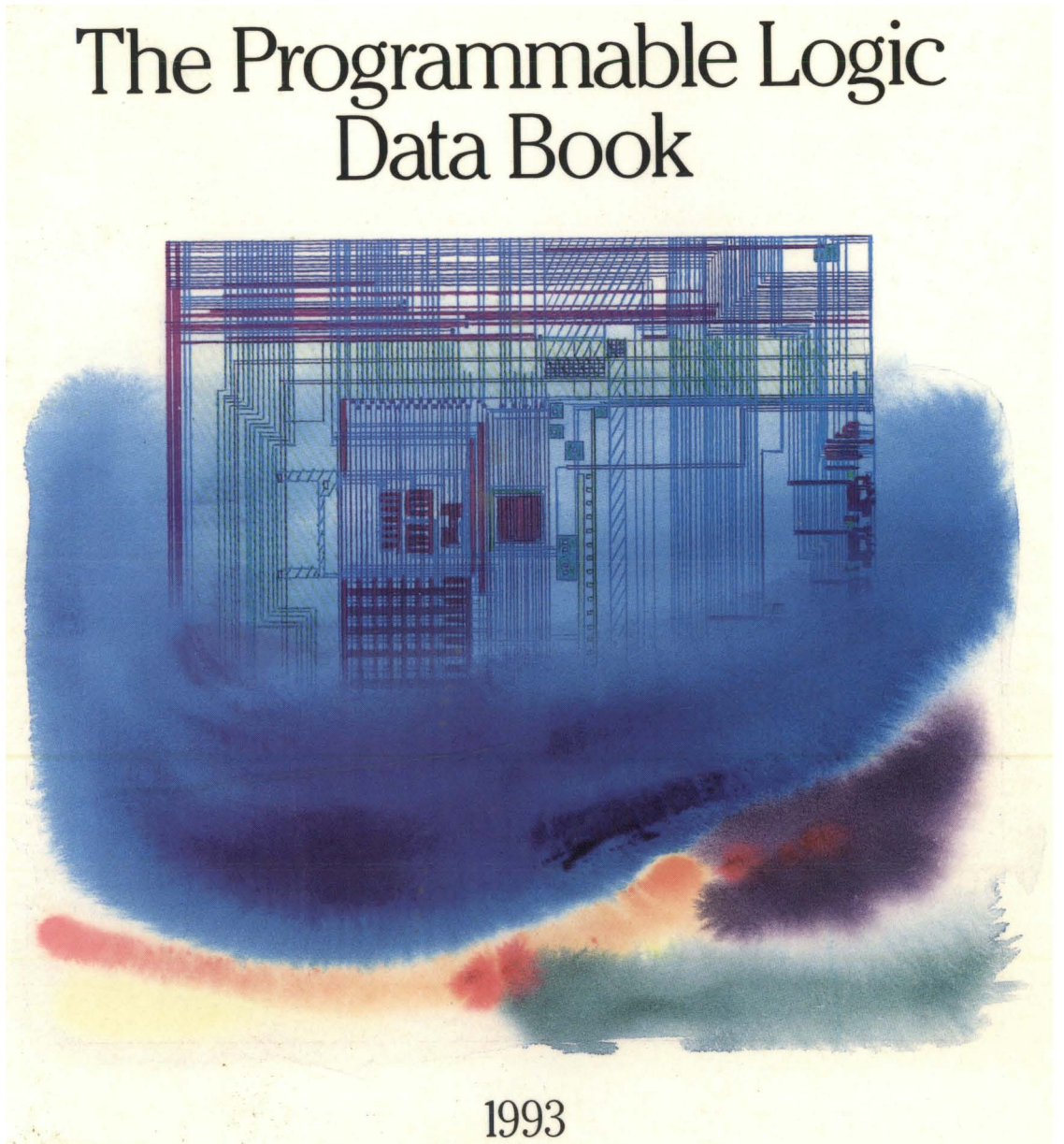


# The Programmable Logic Data Book



1993






# The Programmable Logic Data Book

2100 Logic Drive  
San Jose, California 95124  
Telephone: (408) 559-7778

---

 **XILINX**<sup>®</sup>, XACT, XC2064, XC3090, XC4005, and XC-DS501 are registered trademarks of Xilinx. All XC-prefix product designations, XACT-performance, XAPP, X-BLOX, XSI, XChecker, XDM, XEPLD, XFT, XAPP, XSI, BITA, Dual Block, FastCLK, HardWire, LCA, Logic Cell, PLUSASM, and UIM are trademarks of Xilinx. The Programmable Logic Company is a service mark of Xilinx.

IBM is a registered trademark and PC/AT, PC/XT, P5/2 and Micro Channel are trademarks of International Business Machines Corporation. DASH, Data I/O and FutureNet are registered trademarks and ABEL, ABEL-HDL and ABEL-PLA are trademarks of Data I/O Corporation. SimuCad and Silos are registered trademarks and P-Silos and P/C-Silos are trademarks of SimuCad Corporation. Microsoft is a registered trademark and MS-DOS is a trademark of Microsoft Corporation. Centronics is a registered trademark of Centronics Data Computer Corporation. PAL and PALASM are registered trademarks of Advanced Micro Devices, Inc. UNIX is a trademark of AT&T Technologies, Inc. CUPL is a trademark of Logical Devices, Inc. Apollo and AEGIS are registered trademarks of Hewlett-Packard Corporation. Mentor and IDEA are registered trademarks and NETED, Design Architect, QuickSim, QuickSim 11 and EXPAND are trademarks of Mentor Graphics, Inc. Sun is a registered trademark of Sun Microsystems, Inc.

SCHEMAll+ and SCHEMAll are trademarks of Omaton Corporation. OrCAD is a registered trademark of OrCAD Systems Corporation. Viewlogic, Viewsim, Viewdraw and ViewSynthesis are registered trademarks of Viewlogic Systems, Inc. CASE Technology is a trademark of CASE Technology, a division of the Teradyne Electronic Design Automa-

tion Group. DECstation is a trademark of Digital Equipment Corporation. Synopsys is a registered trademark of Synopsys, Inc. Verilog is a registered trademark of Cadence Design Systems, Inc.

Xilinx does not assume any liability arising out of the application or use of any product described herein; nor does it convey any license under its patents, copyrights, or maskwork rights or any rights of others. Xilinx reserves the right to make changes, at any time, in order to improve reliability, function or design and to supply the best product possible. Xilinx will not assume responsibility for the use of any circuitry described other than circuitry entirely embodied in its products. Manufactured under one or more of the following U.S. Patents: 4,642,487; 4,695,740; 4,706,216; 4,713,557; 4,746,822; 4,750,155; 4,758,985; 4,783,607; 4,820,937; 4,821,233; 4,835,418; 4,847,612; 4,853,626; 4,855,619; 4,855,669; 4,870,302; 4,902,910; 4,940,909; 4,967,107; 5,012,135; 5,023,606; 5,028,821; 5,047,710; 5,068,603; 5,140,193; 5,148,390; 5,155,432; 5,166,858. Xilinx, Inc. cannot assume responsibility for any circuits shown nor represent that they are free from patent infringement or of any other third party right. Xilinx assumes no obligation to correct any errors contained herein or to advise any user of this text of any correction if such be made. Xilinx will not assume any liability for the accuracy or correctness of any engineering or software support or assistance provided to a user.

Xilinx products are not intended for use in life support appliances, devices, or systems. Use of a Xilinx product in such applications without the written consent of the appropriate Xilinx officer is prohibited.

---



## **SECTION TITLES**

---

**1 Programmable Logic Devices**

**2 FPGA Product Descriptions and Specifications**

**3 EPLD Product Descriptions and Specifications**

**4 Packages and Thermal Characteristics**

**5 Quality, Testing and Reliability**

**6 Technical Support**

**7 Development Systems**

**8 Applications**

**9 The Best of XCELL**

**10 Index, Sales Offices**

---



# TABLE OF CONTENTS

## **1 Programmable Logic Devices**

About the Company	1-1
Selecting the Right Device	1-2
Comparisons	1-3

## **2 FPGA Product Descriptions and Specifications**

A Technical Overview For the First-Time User	2-1
XC4000 Logic Cell Array Families	2-5
XC4000, XC4000A, XC4000H Logic Cell Array Families	2-7
XC4000 Logic Cell Array Family	2-47
XC4000A Logic Cell Array Family	2-65
XC4000H High I/O Count Logic Cell Array Family	2-81
XC3000 Logic Cell Array Families	2-97
XC3000, XC3000A, XC3000L, XC3100 Logic Cell Array Families	2-99
XC3000 Logic Cell Array Family	2-145
XC3000A Logic Cell Array Family	2-153
XC3000L Low-Voltage Logic Cell Array Family	2-161
XC3100 Logic Cell Array Family	2-169
XC2000 Logic Cell Array Families	2-177
XC2000 Logic Cell Array Family	2-209
XC2000L Low-Voltage Logic Cell Array Family	2-215
XC17000 Family of Serial PROMs	2-225

## **3 EPLD Product Descriptions and Specifications**

XC7200 EPLD Family	3-3
XC7236/XC7236A Programmable Logic Device	3-5
XC7272A Programmable Logic Device	3-21
XC7300 EPLD Family	3-41
XC73108 Programmable Logic Device	3-49

## **4 Packages and Thermal Characteristics**

Packages	4-1
Thermal Characteristics	4-18
Average Mass	4-22
Plastic Surface Mount	4-23
Sockets	4-25

## **5 Quality, Testing and Reliability**

Quality Assurance Program	5-1
Device Reliability	5-2
Outline of Testing	5-2
Description of Tests	5-5
Package Integrity and Assembly	5-5
Data Integrity	5-7
Electrostatic Discharge	5-8
Latchup	5-8

---

# TABLE OF CONTENTS

---

## **6 Technical Support**

Technical Seminars and Users' Group Meetings	6-1
Newsletter	6-2
Xilinx Technical Bulletin Board	6-3
Field Applications Engineers	6-5
Programmable Logic Training Courses	6-6
Technical Literature	6-7

## **7 Development Systems**

Product Packages	7-2
Automatic CAE Tools	7-3
Bundled Packages Product Descriptions	7-13
Individual Product Descriptions	7-29

## **8 Applications**

Application Note Directory	8-1
----------------------------	-----

## **9 The Best of XCELL**

The Best of XCELL	9-1
-------------------	-----

## **10 Index, Sales Offices**

Index	10-1
Sales Offices	10-5

---





**1 Programmable Logic Devices****2 FPGA Product Descriptions and Specifications****3 EPLD Product Descriptions and Specifications****4 Packages and Thermal Characteristics****5 Quality, Testing and Reliability****6 Technical Support****7 Development Systems****8 Applications****9 The Best of XCELL****10 Index, Sales Offices**

---



# Programmable Logic Devices

---

About the Company .....	1-1
Selecting the Right Device .....	1-2
Family Architecture Comparison .....	1-3
Speed and Density .....	1-4
Product Comparison .....	1-5
Package Options .....	1-6
I/O Pins Per Packages .....	1-6
HardWire Gate Array .....	1-7
Military Devices .....	1-7

---



## About the Company...

Xilinx was founded in 1984, based on the revolutionary idea to combine the logic density and versatility of gate arrays with the time-to-market advantages and off-the-shelf availability of user-programmable standard parts. One year later, Xilinx introduced the world's first Field-Programmable Gate Array (FPGA). Since then, the company has continually improved device densities and speeds, while lowering costs. In fact, over the last six years, Xilinx devices boasted a 40%-per-year improvement in speed, a 52%-per-year increase in density and a 46%-per-year decrease in silicon cost.

In early 1992, Xilinx acquired Plus Logic Inc., a supplier of advanced EPLD (EPROM technology-based complex Programmable Logic Devices). It is now the EPLD Division of Xilinx. For the user, EPLDs can be an attractive complement to FPGAs, offering simpler software and more predictable timing.

As the market leader in the fastest-growing segment of the semiconductor industry, Xilinx strategy is to focus its resources on creating new ICs and development system software, on developing markets, and on building a diverse customer base across a broad range of geographic and market-application segments. The company avoids the large capital commitment and overhead burden associated with owning a wafer fabrication facility by establishing manufacturing alliances with several high-volume state-of-the-art CMOS memory manufacturers. Using standard high-volume memory

processes assures lowest manufacturing cost, produces programmable logic devices with well-established reliability, and provides for an early access to advances in CMOS technology.

The company markets its products in North America through a network of five direct-sales offices, manufacturers' representatives in 75 locations, as well as six distributors. Outside North America, the company sells its products through direct-sales offices in England, Germany, Japan, and Hong Kong, and through representatives and distributors in 27 countries.

With 1992 revenues of \$163 million, Xilinx is the world's largest supplier of CMOS programmable logic. It is the only company that can offer both FPGA and EPLDs.

### One Source for FPGAs and EPLDs

For designers most comfortable with the speed, design simplicity, and predictability of PALs, the XC7200 and XC7300 Families of complex EPLDs provide a higher level of integration, with the *same familiar* PALASM and ABEL design methodology.

For a move up to higher density designs that combine an abundance of gates and I/Os with fast system speed, Xilinx offers the ideal logic device, the FPGA: Three complete families with over 20 different devices, including the world's largest FPGA, the 13,000-gate XC4013. There are more than 300 product types, plus more than 40



varieties of devices for military and aerospace applications. The design software is also available that is fully integrated, highly automated, easy to use, and works with existing CAE tools.

### **Programmable Logic vs Gate Arrays**

*Faster Design and Verification*—Xilinx FPGAs and EPLDs can be designed and verified in a few days, while the same process requires several weeks with gate arrays. There are no non-recurring engineering (NRE) costs and no prototypes to wait for.

*Design Changes without Penalty*—Because the devices are software configured via instant programming, modifications are much less risky and can be made anytime, in a matter of hours instead of the weeks it would take with a gate array. This adds up to significant cost savings in design and production.

*Shortest Time to Market*—Designing with Xilinx programmable logic vs gate arrays, time-to-market is measured in days or a few weeks, rather than the months required when designing with gate arrays.

A study by McKinsey & Co. concludes that a six-month delay in getting to market can cost a product *one-third of its lifetime potential profit*. With a custom gate array, design iterations can easily add that much time, and more, to a product schedule.

Once the decision has been made to use Xilinx programmable logic, a choice must be made from a number of *product families, device options, and product types*. The following guides simplify the selection process.

## Selecting the Right Device

### **Step 1 - Choose a Family**

*The Family Architecture Comparison and Speed and Density* charts help you determine whether an XC7200 or XC7300 series EPLD, XC2000/XC3000/XC3100 Series FPGA or XC4000/XC4000A/XC4000H Series FPGA is right for your application. Comparative information is provided on product architecture, logic capacity, design timing, system features, etc.

### **Step 2 - Choose a Device**

Now that you've determined which Family of Xilinx products works best for you, use the *Product Comparison* chart to select specific device(s) within the Family. Comparisons are provided for gate-count, number of I/Os, flip-flops, RAM bits, CLBs and Macrocells.

### **Step 3 - Choose a Package**

Finally, the charts entitled *Package Options and I/O Pins Per Package* show the 300+ package/speed/temperature and qualification level options Xilinx offers. Since many products come in common packages with common footprints, designs can often be migrated to higher or lower density devices without any board changes.

## Family Architecture Comparison

	EPLDs		FPGAs	
	XC7200 Family	XC7300 Family	XC2000/XC3000/ XC3100 Family	XC4000/A/H Family
<b>Architecture</b>	PAL-like, AND-OR plane Macrocells and product terms	Advanced PLD – high speed, high density function block (FB) in the same device	Gate array-like Many small blocks	Gate array-like Many small blocks
<b>Logic Capacity</b>	36 – 72 Macrocells Integrate 4 – 8 PAL/ 22V10s	36 – 144 Macrocells Integrate 4 – 16 PAL/ 22V10s	800 – 8,000 gates Integrate TTL, MSI, PLDs	2,000 – 13,000 + gates Integrate TTL, MSI, PLDs, RAM
<b>Design Timing</b>	Fixed, PAL-like 60 MHz – predictable for most applications	Fixed, PAL-like 66 MHz – predictable for most applications	Gate array-like – depends on application Can be >100 MHz, typically 25 – 40 MHz (XC3000) or 50 – 80 MHz (XC3100)	Gate array-like – depends on application Can be >100 MHz, typically 30 – 50 MHz
<b>Number of I/Os</b>	Fewer – like EPLD/PAL 36 – 72	136 – 156	Many – like gate array 58 – 176	Many – like gate array 64 – 192
<b>Number of FF</b>	Fewer – like EPLDs 72 – 144	172 – 234	Many – like gate array 122 – 1,320	Very large number – RAM on chip 256 – 1,536 plus RAM bits
<b>Power Consumption</b>	0.5 – 1.25 W static 0.75 – 1.5 W typical	0.4 – 2.0 W static 0.5 – 2.25 W typical Programmable power management	Very low, mW static Dynamic – depends on application 0.25 – 1.0 W typical	Very low, mW static Dynamic – depends on application 0.25 – 2.0 W typical
<b>System Features</b>	Arithmetic carry logic 100% interconnect guaranteed ALU per Macrocell	Like XC7200 plus: Carry look ahead High output drive High performance and high density FBs in same device	Two global clock buffers Programmable output slew rate Internal 3-state busses Power-down mode 8 mA output drive for XC3100	Eight global clock buffers Programmable output slew rate Internal 3-state busses RAM for FIFOs and registers JTAG for board test Fast carry logic for arithmetic Wide decode 12 mA output drive, 24 mA per path (24 mA/48 mA for A/H families)
<b>Process</b>	CMOS EPROM	CMOS EPROM	CMOS static RAM	CMOS static RAM
<b>Programming Method</b>	PROM programmer OTP or UV erasable Configuration on chip	PROM programmer OTP or UV erasable Configuration on chip	Programmed in circuit Four modes Configuration stored externally	Programmed in circuit Six modes Configuration stored externally
<b>Re- programmable</b>	Yes – after UV erasure	Yes – after UV erasure	Yes – in milliseconds Reprogrammable in circuit	Yes – in milliseconds Reprogrammable in circuit
<b>Factory Tested</b>	Yes	Yes	Yes	Yes
<b>Key Applications</b>	Complex state machines Complex counters Bus & peripheral interface Memory control PAL-cruncher Accumulators/ incrementors Magnitude/window comparators	High speed graphics Multiport memory controllers High speed bus interface 50 MHz, 16 bit accumulators	Simple state machines General logic replacement Reprogrammable applications Battery-powered logic 3 V operation Very fast counters	Simple state machines Complex logic replacement Board integration Adders/comparators Reprogrammable applications RAM application: FIFOs, buffers Fast/compact counters Boundary-Scan testability Bus interfacing

## Speed and Density

	EPLDs		FPGAs			
	XC7200 (-15)	XC7300 (-12)	XC3000 (-125)	XC3100 (-3)	XC4000 (-5)	
16-Bit Synchronous Binary Counter	60 MHz	60 MHz	51 MHz 24 CLBs	102 MHz 24 CLBs	111 MHz 17 CLBs	
16-Bit Unidirectional Loadable Counter	Max Speed 60 MHz	60 MHz 60 MHz	18 MHz 16 CLBs 32 MHz 24 CLBs	31 MHz 16 CLBs 55 MHz 24 CLBs	43 MHz 9 CLBs 43 MHz 9 CLBs	
16-Bit U/D Counter	Max Speed 60 MHz	60 MHz 60 MHz	15 MHz 16 CLBs 30 MHz 27 CLBs	28 MHz 16 CLBs 50 MHz 27 CLBs	43 MHz 9 CLBs 43 MHz 9 CLBs	
16:1 Multiplexer	22 ns	15 ns	16 ns 8 CLBs	10 ns 8 CLBs	16 ns 5 CLBs	
16-Bit Decode From Input Pad	22 ns	15 ns	15 ns 4 CLBs	12 ns 4 CLBs	12 ns 0 CLBs	
16-Bit Accumulator	43 MHz	45 MHz	21 MHz 29 CLBs	36 MHz 29 CLBs	39 MHz 9 CLBs	
Data Path <sup>1</sup>	60 MHz	60 MHz	50 MHz 16 CLBs	95 MHz 16 CLBs	85 MHz 12 CLBs	
Timer Counter <sup>2</sup>	60 MHz	60 MHz	28 MHz 23 CLBs	52 MHz 23 CLBs	40 MHz 12 CLBs	
State Machine <sup>3</sup>	60 MHz	60 MHz	18 MHz 34 CLBs	30 MHz 34 CLBs	31 MHz 25 CLBs	
Arithmetic <sup>4</sup>	12 MHz	22 MHz	17 MHz 23 CLBs	29 MHz 23 CLBs	20 MHz 16 CLBs	
16 Channel, 32-Bit DMA	n/a	n/a	n/a n/a	n/a n/a	20 MHz 72 CLBs	

## Notes:

1. 32 inputs, 4:1 mux, register, 8-bit shift register
2. 8-bit T/C, latch, mux, compare
3. 16 states, 40 transitions, 10 inputs, 8 outputs
4. 4x4 multiplier, 8-bit accumulator

- A. Benchmark data, including design files is available in the XAPP Application Handbook and on the Xilinx bulletin board as XAPP files.
- B. System speeds for slower parts (e.g. -100, -70) can be approximated by derating with the ratio (e.g. 0.67 for -100, 0.47 for -70).
- C. All speeds are worst-case temperature and voltage.

X3253

## Product Comparison

		Typical Gates	Typical Gates* Using RAM	Max I/Os	Flip-Flops	RAM bits	Macrocells	Available CLBs
EPLDs	<b>XC7200 Family</b>							
	<b>XC7236</b> <b>XC7272A</b>	n/a n/a	n/a n/a	36 72	68 120	n/a n/a	36 72	n/a n/a
	<b>XC7300 Family</b>							
	<b>XC73108</b>	n/a	n/a	120	198	0	108	n/a
FPGAs	<b>XC2000 Family</b>							
	<b>XC2064</b> <b>XC2018</b>	0.8K-1.8K 1.2K-1.5K	n/a n/a	58 74	122 174	0 0	n/a n/a	64 100
	<b>XC3000/XC3100 Family</b>							
	<b>XC3020/XC3120</b> <b>XC3030/XC3130</b> <b>XC3042/XC3142</b> <b>XC3064/XC3164</b> <b>XC3090/XC3190</b> <b>XC3195</b>	1.3K-1.8K 2.0K-2.7K 2.0K-3.7K 4.0K-5.5K 5.0K-7.5K 6.5K-9.0K	n/a n/a n/a n/a n/a n/a	64 80 96 120 144 176	256 360 480 688 928 1,320	0 0 0 0 0 0	n/a n/a n/a n/a n/a n/a	64 100 144 224 320 484
	<b>XC4000 Family</b>							
	<b>XC4002A</b> <b>XC4003A</b> <b>XC4003H</b> <b>XC4004A</b> <b>XC4005/XC4005A</b> <b>XC4005H</b> <b>XC4006</b> <b>XC4008</b> <b>XC4010</b> <b>XC4013</b>	1.6K-2.0K 2.5K-3.0K 2.5K-3.0K 3.2K-4.0K 4.0K-5.0K 4.0K-5.0K 5.0K-6.0K 6.5K-8.0K 8.0K-10.0K 10.0K-13.0K	2.2K-2.8K 3.5K-4.2K 3.5K-4.2K 4.6K-5.6K 6.0K-7.0K 6.0K-7.0K 7.5K-8.5K 9.7K-11.2K 12.0K-14.0K 12.0K-16.0K	64 80 160 96 112 192 128 144 160 192	256 360 200 480 616 392 768 936 1,120 1,536	2,048 3,200 3,200 4,608 6,272 6,272 8,192 10,368 12,800 18,432	n/a n/a n/a n/a n/a n/a n/a n/a n/a n/a	64 100 100 144 196 196 256 324 400 576

\* Assumes 10% of device used as RAM.

X3251

Package Options

		Surface Mount				Through-hole
		PLCC	PQFP	TQFP	CQFP	PGA
	Standard Lead Pitch Body Temp Options Ordering Code	JEDEC 50 mil Plastic C, I PC	EIAJ 0.65/0.5 mm Plastic C, I PQ	EIAJ 0.5 mm Plastic C, I TQ	JEDEC 25 mil Ceramic M, B CB	JEDEC 100 mil Ceramic/Plastic C, I, M, B PG, PP
EPLD Family	XC7236/XC7236A XC7272A XC73108	44 68, 84 84	160	100		84 84, 144
FPGA Family	XC2064 XC2018	44, 68 44, 68, 84		100		68 84
	XC3020/XC3120 XC3030/XC3130 XC3042/XC3142 XC3064/XC3164 XC3090/XC3190 XC3195	68, 84 44, 68, 84 84 84 84 84	100 100 100 160 160, 208 160, 208	100 100	100 100 164	84 84 84, 132 132 175 175, 223
	XC4002A XC4003A XC4003H XC4004/XC4004A XC4005/XC4005A XC4005H XC4006 XC4008 XC4010 XC4013	84 84 208 84 84 84 84 208 208 208 208, 240	100 100 208 160 160, 208 240 160, 208 208 208 208, 240	100 100 100	100 164 196 196	120 120 191 120 156 223 156 191 191 223

X3246

I/O Pins Per Packages

	Surface Mount																	
	Max IO	44 PC, WC	68 PC, PG, WC	84 PC, PG, WC	100 PQ, TQ, CB	120 PG	132 PG	144 PG	156 PG	160 PQ	164 CB	175 PG	191 PG	196 CB	208 PQ	223 PG	240 PQ	
EPLD Family																		
XC7236/XC7236A XC7272A XC73108	36 72 120	36	56	72 72	84			120		120								
FPGA Family																		
XC2064 XC2018	58 74	34 34	58 64	74	74 (TQ only)													
XC3020/XC3120 XC3030/XC3130 XC3042/XC3142 XC3064/XC3164 XC3090/XC3190 XC3195	64 80 96 120 144 176	34	58 58	64 74 74 70 70 70	64 80 82		96 110			120 138 138	142	144 144		144 176	176			
XC4002A XC4003A XC4003H XC4004A XC4005/XC4005A XC4005H XC4006 XC4008 XC4010 XC4013	64 80 160 96 112 192 128 144 160 192			61 61 61 61	64 77	64 80				96 112 112			160	144 160	144 160	112 128 144 160	192 192	192 192

X3247



## HardWire Gate Arrays

### The No-Risk Gate-Array Migration Path For Xilinx FPGAs

The HardWire gate array provides an easy, transparent migration path – providing a low-cost, no-risk solution for high-volume-production applications.

Unlike ordinary, general-purpose gate arrays, the HardWire gate array is architecturally identical to its FPGA counterpart. The programmable elements in the FPGA are simply removed and replaced with fixed metal connections. The resulting HardWire gate array die is considerably smaller and lower cost.

### Convert With Confidence

The HardWire gate array offers the same proven, qualified process technology as the FPGA it replaces. And, since the architectures are identical, FPGAs and HardWire gate arrays have similar timing.

In addition, the interchangeability of the FPGA and the HardWire gate array means that FPGAs can always be substituted – to quickly boost production to meet demand, or to avoid gate-array inventory worries toward the end of the product life cycle.

### The Fastest, Easiest Way To Save

Converting from an FPGA to a HardWire gate array couldn't be easier. The mask and test programs are generated by Xilinx from the user's existing FPGA file. The time-consuming and costly re-design and resimulation usually associated with FPGA-to-gate array migration is virtually eliminated, along with the risk.

Xilinx built-in test logic and Automatic Test Generation (ATG) software guarantee 100% fault coverage, while eliminating the need for test vectors. With migration this simple, designers spend less time on rework and more time on new projects.

In addition to engineering savings from easy conversion and the elimination of opportunity costs, the HardWire gate array architecture also means that NRE costs are low – usually <\$10K (depending on size). The HardWire gate array offers typical device savings of 50 - 80% over the equivalent FPGA.

For more information and to request the HardWire Data Book, contact the nearest Xilinx Sales Office.

## Military Devices

Xilinx was the first company to offer military FPGAs by introducing 883 qualified versions of the XC2000 and XC3000 Families in 1989. The MIL-STD-883 qualified versions of our XC4000 Family will soon be available. These products offer a number of key benefits to military users.

*Increased Design Flexibility.* Xilinx parts are standard production ASICs, where one spec can be used for multiple applications. Since there is no fab turnaround time, design changes can be made in minutes, reducing product development time. In addition, our Class B devices are available from distributor stock.

*Reprogrammability.* Because Xilinx parts are reprogrammable, design changes can be made while in production. And, the same logic can be used for multiple, nonconcurrent tasks.

*Low Total Cost.* Because there are no non-recurring engineering (NRE) costs, Xilinx devices are very cost effective for military volumes.

*Reliable.* Our parts are fully compliant to MIL-STD-883 Class B, with very low FIT rates. Products built and tested to Standard Military Drawings (SMDs) are also available.

*Fully Tested.* Because our parts are fully tested with 100% fault coverage, the user need not generate test programs or vectors.

*Available in die form.* Xilinx is the only vendor supplying FPGAs in die form, tested and qualified for use in military hybrids and multi-chip modules. These are available through Chip Supply, Melbourne, Florida, at (407) 298-7100.

For more information on military devices, contact the nearest Xilinx Sales Office.



**1 Programmable Logic Devices****2 *FPGA Product Descriptions and Specifications*****3 EPLD Product Descriptions and Specifications****4 Packages and Thermal Characteristics****5 Quality, Testing and Reliability****6 Technical Support****7 Development Systems****8 Applications****9 The Best of XCELL****10 Index, Sales Offices**

---



# FPGA Product Description and Specifications

---

<b>▲ Technical Overview for the First-Time User .....</b>	<b>2-1</b>
<b>Component Availability .....</b>	<b>2-3</b>
<b>XC4000 Logic Cell Array Families .....</b>	<b>2-5</b>
XC4000 Logic Cell Array Family .....	2-47
XC4000A Logic Cell Array Family .....	2-65
XC4000H High I/O Count Logic Cell Array Family .....	2-81
<b>XC3000 Logic Cell Array Families .....</b>	<b>2-97</b>
XC3000 Logic Cell Array Family .....	2-145
XC4000A Logic Cell Array Family .....	2-153
XC3000L Low Voltage Logic Cell Array Family .....	2-161
XC3100L Logic Cell Array Family .....	2-169
<b>XC2000 Logic Cell Array Families .....</b>	<b>2-177</b>
XC2000 Logic Cell Array Family .....	2-209
XC2000L Low Voltage Logic Cell Array Family .....	2-215
<b>XC17000 Serial Configuration PROMs Family .....</b>	<b>2-225</b>

---



# A Technical Overview For the First-Time User

In the XC2000, XC3000, and XC4000 devices, Xilinx offers three evolutionary and compatible generations of Field Programmable Gate Arrays (FPGAs). Here is a short description of their common features.

Every Xilinx FPGA performs the function of a custom LSI circuit, like a gate array, but the Xilinx device is user-programmable and even reprogrammable in the system. Xilinx sells standard off-the-shelf devices in three families, and many different sizes, speeds, operating temperature ranges, and packages. The user selects the appropriate Xilinx device, and then converts the design idea or schematic into a configuration data file, using the Xilinx development system software running on a PC or workstation, and loads this file into the Xilinx FPGA.

This overview describes two different aspects of the Xilinx FPGA,

- what kind of user-defined logic it can implement, and
- how the device is programmed.

## User Logic

Different in structure from traditional logic circuits, PALs, EPLDs and even gate arrays, all Xilinx FPGAs implement combinatorial logic in small look-up tables (16 x 1 ROMs); each such table either feeds the D-input of a flip-flop or drives other logic or I/O. Each device contains a matrix of identical logic blocks, usually square, from 8 x 8 in the XC2064 to 24 x 24 in the XC4013. Short and long metal lines run horizontally and vertically in-between these logic blocks, selectively interconnecting them or connecting them to the input/output blocks.

This modular architecture is rich in registers and powerful function generators that can implement any function of up-to-five variables, all with the same speed. For wider inputs, function generators are easily concatenated. Generous on-chip buffering makes block delays insensitive to loading by the interconnect structure, but all interconnect delays are layout-dependent and must be analyzed if the design is performance-critical.

Clock lines are well-buffered and can drive all flip-flops with < 2 ns skew from corner to corner, even throughout the biggest device. The user need not worry about clock loading or clock-delay balancing, or about hold-time issues on the chip, if the designated clock lines (eight in the XC4000 devices, two in all other devices) are used.

XC3000/3100 and XC4000 devices can implement internal bidirectional busses. The XC4000 devices have dedicated fast carry circuits that improve the efficiency and speed of adders, subtractors, comparators, accumulators and synchronous counters. XC4000 also supports boundary scan on each pin.

Almost all device pins are available as bidirectional user I/O, with the exception of 4 to 24 supply connections ( $V_{CC}$  and GND) and a few pins dedicated to the configuration process. All inputs and outputs within each family have identical electrical characteristics, but output current capability varies among families: The XC2000 and XC3000 outputs can sink and source 4 mA, XC3100 can sink 8 mA, XC4000 12 mA, XC4000H 24 mA. XC2000/XC3000/XC3100 outputs swing rail-to-rail, while XC4000 outputs are n-channel-only, "totem-pole", with lower  $V_{OH}$  for higher speed.

XC2000/XC3000/XC3100 inputs can be globally programmed for either TTL-like input thresholds or CMOS thresholds. XC4000 has fixed TTL-like input thresholds. All inputs have hysteresis (Schmitt-trigger action) of 100 to 200 mV.

All Xilinx FPGAs have a global asynchronous reset input affecting all device flip-flops. In the XC4000-family devices, any pin can be configured as a reset input, in the other families, RESET is a dedicated pin.

Since all Xilinx FPGAs use CMOS-SRAM technology, their quiescent or stand-by power consumption is very low, a few microwatts for XC2000/XC3000 devices and max 25 mW for XC3100, max 50 mW for XC4000 devices. The operational power consumption is totally dynamic, proportional to the rate of change of inputs, outputs, and internal nodes. Typical power consumption is between 100 mW and 2 W, depending on the device size.

---

XC2000 and XC3000 devices can be powered-down and their configuration can be maintained by a >2.3 V battery. Current consumption is only a few microamps. The device 3-states all outputs, ignores all inputs, and resets its flip-flops, but retains its configuration.

XC2000/XC3100/XC4000 devices monitor  $V_{CC}$  continuously and shut down when they detect a  $V_{CC}$  drop to 3 V. The device then 3-states all outputs and prepares for re-configuration. XC2000 devices need an external monitor, if there is any danger of  $V_{CC}$  dropping significantly without going all the way to ground.

## Programming or Configuring the Device

A design usually starts as a block diagram or schematic, drawn with one of the popular CAE tools, e.g. ViewDraw. Many of these tools have an interface to XACT, the Xilinx development system, running on PCs or popular workstations.

After schematic- or equation-based entry, the design is automatically converted to a Xilinx Netlist Format (XNF). The XACT software first partitions the design into logic blocks, then finds a near-optimal placement for each block, and finally selects the interconnect routing. This process of Partitioning, Placement, and Routing (PPR) runs automatically, but the user may also affect the outcome by imposing specific constraints, or selectively editing critical portions of the design, using the graphic Design Editor (XDE). The user thus has a wide range of choices between a fully automatic implementation and detailed involvement in the layout process.

Once the design is complete, it is documented in an LCA file, from which a serial bitstream file can be generated.

The user then exercises one of several options to load this file into the Xilinx FPGA device, where it is stored in latches, arranged to resemble one long shift register. The data content of these latches personalizes the FPGA to perform the intended digital function. The number of configuration bits varies with device type, from 12,038 bits for the smallest device (XC2064) to 247,960 bits for the largest device presently available (XC4013). Multiple LCA devices can be daisy-chained and configured with a com-

mon, concatenated bitstream. Device utilization does not change the number of configuration bits.

Inside the device, these configuration bits control or define the combinatorial circuitry, flip-flops, interconnect structure, and the I/O buffers. Upon power-up, the device waits for  $V_{CC}$  to reach an acceptable level, then clears the configuration memory, holds all internal flip-flops reset, and 3-states almost all outputs but activates their weak pull-up resistors. The device then initiates configuration, either as a master, clocking a serial PROM to receive the serial bitstream, or as a slave, accepting an external clock and serial or 8-bit parallel data from an external source.

The Xilinx serial PROM is the simplest way to configure the device, using only four device pins. Typical configuration time is around 1  $\mu$ s per bit, but there are ways to reduce it by a factor of up to ten. Configuration thus takes from a few to a few hundred milliseconds. Xilinx serial PROMs come in sizes from 18,000 to 128K bits (256K bits in the near future); PROMs can also be daisy-chained to store a longer bitstream.

The LCA device can also be configured with byte-wide data, either from an industry-standard PROM or from a microprocessor. The LCA device drives the PROM addresses directly, or it handshakes with the microprocessor like a typical peripheral. The byte-wide data is immediately converted into an internal serial bitstream, clocked by the internal Configuration Clock (CCLK). Parallel configuration modes are, therefore, not faster than serial modes.

The user can reconfigure the device at any time by pulling the DONE pin Low, which instigates a new configuration sequence. During this process, all outputs not used for configuration are 3-stated. Partial re-configuration is not possible.

After the device has been programmed, the content of the configuration "shift register" can be read back serially, without interfering with device operation. XC4000 devices include a synchronized simultaneous transfer of all user-register information into the configuration registers. This adds in-circuit-emulation capability to the readback function.

# Component Availability

RINS TYPE	44		48		64		68		84		100			120		132		144		156		160		164		176		191		196		206		222		240	
	PLAST. PLCC	PLAST. DIP	PLAST. VOFP	PLAST. PC68	CERAM. PLCC	CERAM. PGA	PLAST. POFP	PLAST. TOFP	PLAST. TO100	PLAST. VOFP	TOP. BRAZED COFF	CERAM. PGA	PLAST. PGA	PLAST. TOFP	CERAM. PGA	PLAST. PGA	PLAST. TOFP	CERAM. PGA	PLAST. PGA	PLAST. TOFP	CERAM. PGA	PLAST. PGA	PLAST. TOFP	CERAM. PGA	PLAST. PGA	PLAST. TOFP	CERAM. PGA	PLAST. PGA	PLAST. TOFP	CERAM. PGA	PLAST. PGA	PLAST. TOFP	CERAM. PGA	PLAST. PGA	PLAST. TOFP	CERAM. PGA	
CODE	PC44	PD44	VO84	PC84	PG84	PG84	PG100	TO100	VO100	CB100	PG120	PG132	TO144	PG156	PG160	CB164	PG176	TO176	PG191	CB196	PG206	MO206	PG222	MO240													
XC2064	✓																																				
XC2018	✓																																				
XC2018L																																					
XC2018H																																					
XC3020																																					
XC3090	✓																																				
XC3064																																					
XC3090																																					
XC3020A																																					
XC3030A	✓																																				
XC3042A																																					
XC3064A																																					
XC3090A																																					
XC3020L																																					
XC3030L																																					
XC3042L																																					
XC3064L																																					
XC3090L																																					
XC3120																																					
XC3190																																					
XC3142																																					
XC3164																																					
XC3190																																					
XC3195																																					
XC4005																																					
XC4006																																					
XC4008																																					
XC4010																																					
XC4013																																					
XC4020A																																					
XC4003A																																					
XC4004A																																					
XC4005A																																					
XC4003H																																					
XC4005H																																					

✓ = Product currently shipping or planned







# XC4000 Logic Cell Array Families

## Table of Contents

XC4000, XC4000A, XC4000H	
Logic Cell Array Families .....	2-7
XC4000 Compared to XC3000 .....	2-8
Architectural Overview .....	2-9
Abundant Routing Resources .....	2-12
Development System .....	2-12
Detailed Functional Description .....	2-19
Configuration .....	2-25
Start-Up .....	2-28
Readback .....	2-31
Master Serial Mode .....	2-32
Slave Serial Mode .....	2-34
Master Parallel Mode .....	2-36
Synchronous Peripheral Mode .....	2-38
Asynchronous Peripheral Mode .....	2-40
General LCA Switching Characteristics .....	2-42
Configuration Pin Assignments .....	2-43
Pin Descriptions .....	2-44
Ordering Information .....	2-46
Component Availability .....	2-46
XC4000 Logic Cell Array Family .....	2-47
Absolute Maximum Ratings .....	2-48
Operating Conditions .....	2-48
DC Characteristics .....	2-48
Switching Characteristic Guidelines	
Wide Decoder .....	2-49
Global Buffer .....	2-50
Horizontal Longline .....	2-50
Pin-to-Pin Parameters .....	2-51
IOB .....	2-52
CLB .....	2-53
XC4005 Pinouts .....	2-57
XC4006 Pinouts .....	2-58
XC4008 Pinouts .....	2-60
XC4010 Pinouts .....	2-61
XC4013 Pinouts .....	2-62
Ordering Information .....	2-64
Component Availability .....	2-64
XC4000A Logic Cell Array Families .....	2-65
Absolute Maximum Ratings .....	2-66
Operating Conditions .....	2-66
DC Characteristics .....	2-66
Switching Characteristic Guidelines	
Wide Decoder .....	2-67
Global Buffer .....	2-67
Horizontal Longline .....	2-68
Pin-to-Pin Parameters .....	2-69
IOB .....	2-70
CLB .....	2-71
XC4002A Pinouts .....	2-75
XC4003A Pinouts .....	2-56
XC4004A Pinouts .....	2-77
XC4005A Pinouts .....	2-78
Ordering Information .....	2-80
Component Availability .....	2-80
XC4000H High I/O Count	
Logic Cell Array Family .....	2-81
XC4000H Compared to XC4000 .....	2-82
Architectural Overview .....	2-82
Slew-Rate Control .....	2-84
Absolute Maximum Ratings .....	2-86
Operating Conditions .....	2-86
DC Characteristics .....	2-86
Switching Characteristic Guidelines	
Wide Decoder .....	2-87
Global Buffer .....	2-87
Horizontal Longline .....	2-88
Pin-to-Pin Parameters .....	2-89
CLB .....	2-90
IOB .....	2-93
XC4003H Pinouts .....	2-94
XC4005H Pinouts .....	2-95
Ordering Information .....	2-96
Component Availability .....	2-96

---

## Overview

Introduced in 1990, the XC4000 family has found rapid acceptance by demanding users. The RAM capability offers a new freedom to design, the dedicated carry logic speeds up arithmetic and counters, and the wide decoders eliminate the need for external decoding.

Xilinx has met this enthusiastic user response with the rapid introduction of new device types. Stretching from 2,000 to 13,000 gate capacity, the XC4000 family now has 11 part types available.

The XC4005, XC4006, XC4008, XC4010, and XC4013 represent the original concept, a structure with abundant routing resources to accommodate even the most complex design. Since smaller devices require disproportionately less routing resources, the low-end XC4000A family saves silicon area and thus cost by having fewer interconnect lines. The XC4000A family consists of the XC4002A,

XC4003A, XC4004A, and XC4005A. At the XC4005 level, both device types are available; the XC4005A is more economical, the XC4005 has more routing resources. Since the devices are pin-compatible, the user can start the design with the sure-to-route XC4005, then later switch to the more economical XC4005A, if it is sufficient to implement the design.

Some applications require more I/O than available in the XC4000 and XC4000A families. This is especially true in very large logic emulators where many XC4000 devices are interconnected in a big matrix of devices. In these applications, the classical Xilinx FPGA structure with two IOBs at each end of each CLB row and column represents an I/O bottleneck. For these and similar applications, Xilinx offers the XC4003H and XC4005H devices with approximately twice the I/O count of the corresponding XC4000 device.



# XC4000, XC4000A, XC4000H Logic Cell Array Families

## Product Description

### Features

- Third Generation Field-Programmable Gate Arrays
  - Abundant flip-flops
  - Flexible function generators
  - On-chip ultra-fast RAM
  - Dedicated high-speed carry-propagation circuit
  - Wide edge decoders
  - Hierarchy of interconnect lines
  - Internal 3-state bus capability
  - Eight global low-skew clock or signal distribution network
- Flexible Array Architecture
  - Programmable logic blocks and I/O blocks
  - Programmable interconnects and wide decoders
- Sub-micron CMOS Process
  - High-speed logic and Interconnect
  - Low power consumption
- Systems-Oriented Features
  - IEEE 1149.1-compatible boundary-scan logic support
  - Programmable output slew rate
  - Programmable input pull-up or pull-down resistors
  - 12-mA sink current per output (XC4000 family)
  - 24-mA sink current per output (XC4000A and XC4000H families)
- Configured by Loading Binary File
  - Unlimited reprogrammability
  - Six programming modes
- XACT Development System runs on '386/'486-type PC, NEC PC, Apollo, Sun-4, and Hewlett-Packard 700 series
  - Interfaces to popular design environments like Viewlogic, Mentor Graphics and OrCAD
  - Fully automatic partitioning, placement and routing
  - Interactive design editor for design optimization
  - 288 macros, 34 hard macros, RAM/ROM compiler

### Description

The XC4000 families of Field-Programmable Gate Arrays (FPGAs) provide the benefits of custom CMOS VLSI, while avoiding the initial cost, time delay, and inherent risk of a conventional masked gate array.

The XC4000 families provide a regular, flexible, programmable architecture of Configurable Logic Blocks (CLBs), interconnected by a powerful hierarchy of versatile routing resources, and surrounded by a perimeter of programmable Input/Output Blocks (IOBs).

XC4000-family devices have generous routing resources to accommodate the most complex interconnect patterns. XC4000A devices have reduced sets of routing resources, sufficient for their smaller size. XC4000H high I/O devices maintain the same routing resources and CLB structure as the XC4000 family, while nearly doubling the available I/O.

The devices are customized by loading configuration data into the internal memory cells. The FPGA can either actively read its configuration data out of external serial or byte-parallel PROM (master modes), or the configuration data can be written into the FPGA (slave and peripheral modes).

The XC4000 families are supported by powerful and sophisticated software, covering every aspect of design: from schematic entry, to simulation, to automatic block placement and routing of interconnects, and finally the creation of the configuration bit stream.

Since Xilinx FPGAs can be reprogrammed an unlimited number of times, they can be used in innovative designs where hardware is changed dynamically, or where hardware must be adapted to different user applications. FPGAs are ideal for shortening the design and development cycle, but they also offer a cost-effective solution for production rates well beyond 1000 systems per month.

Table 1. The XC4000 Families of Field-Programmable Gate Arrays

Device	XC4002A	4003A	4003H	4004A	4005/5A	4005H	4006	4008	4010	4013	4016*	4020*
<b>Appr. Gate Count</b>	2,000	3,000	3,000	4,000	5,000	5,000	6,000	8,000	10,000	13,000	16,000	20,000
<b>CLB Matrix</b>	8 x 8	10 x 10	10 x 10	12 x 12	14 x 14	14 x 14	16 x 16	18 x 18	20 x 20	24 x 24	26 x 26	30 x 30
<b>Number of CLBs</b>	64	100	100	144	196	196	256	324	400	576	676	900
<b>Number of Flip-Flops</b>	256	360	200	480	616	392	768	936	1120	1536	1768	2280
<b>Max Decode Inputs (per side)</b>	24	30	30	36	42	42	48	54	60	72	78	90
<b>Max RAM Bits</b>	2,048	3,200	3,200	4,608	6,272	6,272	8,192	10,368	12,800	18,432	21,632	28,800
<b>Number of IOBs</b>	64	80	160	96	112	192	128	144	160	192	208	240

\*Planned

**XC4000 Compared to XC3000**

For those readers already familiar with the XC3000 family of Xilinx Field Programmable Gate Arrays, here is a concise list of the major new features in the XC4000 family.

CLB has two **independent** 4-input function generators. A **third** function generator combines the outputs of the two other function generators with a ninth input. All function inputs are swappable, all have full access; none are mutually exclusive.  
 CLB has **very fast arithmetic carry** capability.  
 CLB function generator look-up table can also be used as high-speed **RAM**.  
 CLB flip-flops have asynchronous set or reset.  
 CLB has **four outputs**, two flip-flops, two combinatorial.  
 CLB connections symmetrically located on all **four** edges.

**IOB** has more versatile clocking polarity options.  
**IOB** has programmable input set-up time: **long** to avoid potential hold time problems, **short** to improve performance.  
**IOB** has Longline access through its own TBUF.  
 Outputs are **n-channel only**, lower  $V_{OH}$  increases speed, outputs do not clamp to  $V_{CC}$ .  
 XC4000 outputs can be paired to double sink current to **24 mA**. XC4000A and XC4000H outputs can each sink **24 mA**, can be paired for 48 mA sink current.

IEEE 1149.1- type **boundary scan** is supported in the I/O.

**Wide decoders** on all four edges of the LCA device.

Increased **number of interconnect resources**. All CLB inputs and outputs have **access to most interconnect lines**.

**Switch Matrices** are simplified to increase speed. **Eight global nets** can be used for clocking or distributing logic signals.

**TBUF** output configuration is more versatile and 3-state control less confined.

**Program** is single-function input pin, overrides everything. **INIT pin** also acts as Configuration Error output.

**Peripheral Synchronous Mode** (8 bit) has been added. **Peripheral Asynchronous Mode** has improved handshake.

**Start-up** can be **synchronized** to any user clock (this is a configuration option).

No Powerdown, but instead a **Global 3-state input** that does not reset any flip-flops.

No on-chip **crystal oscillator** amplifier.

Configuration Bit Stream includes **CRC error checking**. **Configuration Clock** can be increased to **>8 MHz**.

Configuration Clock is **fully static**, no constraint on the maximum Low time.

**Readback** either ignores flip-flop content (avoids need for masking) or it takes a **snapshot** of all flip-flops at the start of Readback.

Readback has same **polarity** as Configuration and can be **aborted**.

Table 2. Three Generations of Xilinx Field-Programmable Gate Array Families

Parameter	XC4013	XC3090/3190	XC2018
Number of flip-flops	1,536	928	174
Max number of user I/O	192	144	74
Max number of RAM bits	18,432	0	0
Function generators per CLB	3	2	2
Number of logic inputs per CLB	9	5	4
Number of logic outputs per CLB	4	2	2
Number of low-skew global nets	8	2	2
Dedicated decoders	yes	no	no
Fast carry logic	yes	no	no
Internal 3-state drivers	yes	yes	no
Output slew-rate control	yes	yes	no
Power-down option	no	yes	yes
Crystal oscillator circuit	no	yes	yes

## Architectural Overview

The XC4000 families achieve high speed through advanced semiconductor technology and through improved architecture, and supports system clock rates of up to 50 MHz. Compared to older Xilinx FPGA families, the XC4000 families are more powerful, offering on-chip RAM and wide-input decoders. They are more versatile in their applications, and design cycles are faster due to a combination of increased routing resources and more sophisticated software. And last, but not least, they more than double the available complexity, up to the 20,000-gate level.

The XC4000 families have 11 members, ranging in complexity from 2,000 to 13,000 gates.

### Logic Cell Array Families

Xilinx high-density user-programmable gate arrays include three major configurable elements: configurable logic blocks (CLBs), input/output blocks (IOBs), and interconnections. The CLBs provide the functional elements for constructing the user's logic. The IOBs provide the interface between the package pins and internal signal lines. The programmable interconnect resources provide routing paths to connect the inputs and outputs of the CLBs and IOBs onto the appropriate networks. Customized configuration is established by programming internal static memory cells that determine the logic functions and interconnections implemented in the LCA device.

The first generation of LCA devices, the XC2000 family, was introduced in 1985. It featured logic blocks consisting of a combinatorial function generator capable of implementing 4-input Boolean functions and a single storage element. The XC2000 family has two members ranging in complexity from 800 to 1500 gates.

In the second-generation XC3000 LCA devices, introduced in 1987, the logic block was expanded to implement wider Boolean functions and to incorporate a second flip-flop in each logic block. Today, the XC3000 devices range in complexity from 1,300 to 10,000 usable gates. They have a maximum guaranteed toggle frequency ranging from 70 to 270 MHz, equivalent to maximum system clock frequencies of up to 80 MHz.

The third generation of LCA devices further extends this architecture with a yet more powerful and flexible logic block. I/O block functions and interconnection options have also been enhanced with each successive generation, further extending the range of applications that can be implemented with an LCA device.

This third-generation architecture forms the basis of the XC4000 families of devices that feature logic densities up to 20,000 usable gates and support system clock rates of

up to 50 MHz. The use of an advanced, sub-micron CMOS process technology as well as architectural improvements contribute to this increase in FPGA capabilities. However, achieving these high logic-density and performance levels also requires new and more powerful automated design tools. IC and software engineers collaborated during the definition of the third-generation LCA architecture to meet an important performance goal — an FPGA architecture and companion design tools for completely automatic placement and routing of 95% of all designs, plus a convenient way to complete the remaining few designs.

### Configurable Logic Blocks

A number of architectural improvements contribute to the increased logic density and performance levels of the XC4000 families. The most important one is a more powerful and flexible CLB surrounded by a versatile set of routing resources, resulting in more "effective gates per CLB." The principal CLB elements are shown in Figure 1. Each new CLB also packs a pair of flip-flops and two independent 4-input function generators. The two function generators offer designers plenty of flexibility because most combinatorial logic functions need less than four inputs. Consequently, the design-software tools can deal with each function generator independently, thus improving cell usage.

Thirteen CLB inputs and four CLB outputs provide access to the function generators and flip-flops. More than double the number available in the XC3000 families, these inputs and outputs connect to the programmable interconnect resources outside the block. Four independent inputs are provided to each of two function generators (F1 – F4 and G1 – G4). These function generators, whose outputs are labeled F' and G', are each capable of implementing any arbitrarily defined Boolean function of their four inputs. The function generators are implemented as memory look-up tables; therefore, the propagation delay is independent of the function being implemented. A third function generator, labeled H', can implement any Boolean function of its three inputs: F' and G' and a third input from outside the block (H1). Signals from the function generators can exit the CLB on two outputs; F' or H' can be connected to the X output, and G' or H' can be connected to the Y output. Thus, a CLB can be used to implement any two independent functions of up-to-four variables, or any single function of five variables, or any function of four variables together with some functions of five variables, or it can implement even some functions of up to nine variables. Implementing wide functions in a single block reduces both the number of blocks required and the delay in the signal path, achieving both increased density and speed.

The two storage elements in the CLB are edge-triggered D-type flip-flops with common clock (K) and clock enable (EC) inputs. A third common input (S/R) can be programmed as either an asynchronous set or reset signal

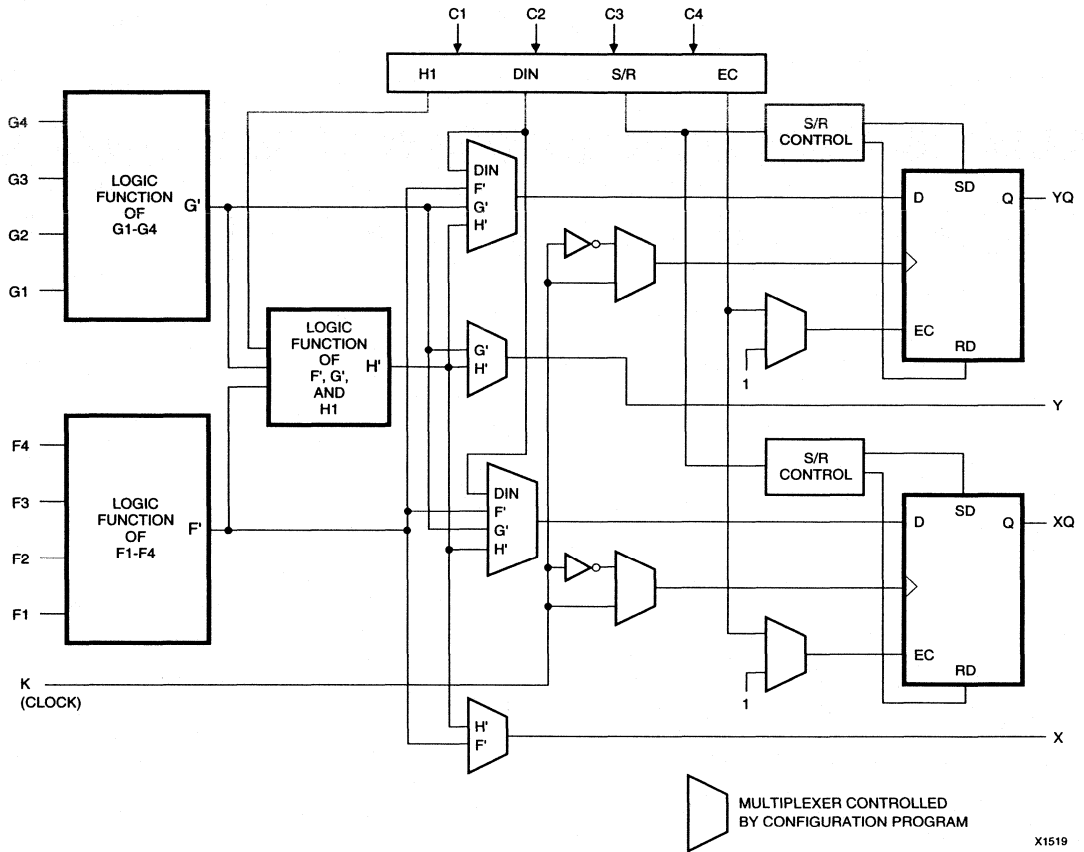


Figure 1. Simplified Block Diagram of XC4000-Families Configurable Logic Block

independently for each of the two registers; this input also can be disabled for either flip-flop. A separate global Set/Reset line (not shown in Figure 1) sets or clears each register during power-up, reconfiguration, or when a dedicated Reset net is driven active. This Reset net does not compete with other routing resources; it can be connected to any package pin as a global reset input.

Each flip-flop can be triggered on either the rising or falling clock edge. The source of a flip-flop data input is programmable: it is driven either by the functions F', G', and H', or the Direct In (DIN) block input. The flip-flops drive the XQ and YQ CLB outputs.

In addition, each CLB F' and G' function generator contains dedicated arithmetic logic for the fast generation of carry and borrow signals, greatly increasing the efficiency

and performance of adders, subtractors, accumulators, comparators and even counters.

Multiplexers in the CLB map the four control inputs, labeled C1 through C4 in Figure 1, into the four internal control signals (H1, DIN, S/R, and EC) in any arbitrary manner.

The flexibility and symmetry of the CLB architecture facilitates the placement and routing of a given application. Since the function generators and flip-flops have independent inputs and outputs, each can be treated as a separate entity during placement to achieve high packing density. Inputs, outputs, and the functions themselves can freely swap positions within a CLB to avoid routing congestion during the placement and routing operation.

## Speed Is Enhanced Two Ways

Delays in LCA-based designs are layout dependent. While this makes it hard to predict a worst-case guaranteed performance, there is a rule of thumb designers can consider — the system clock rate should not exceed one third to one half of the specified toggle rate. Critical portions of a design, shift registers and simple counters, can run faster — approximately two thirds of the specified toggle rate.

The XC4000 family can run at synchronous system clock rates of up to 60 MHz. This increase in performance over the previous families stems from two basic improvements: improved architecture and more abundant routing resources.

### Improved Architecture

**More Inputs:** The versatility of the CLB function generators improves system speed significantly. Table 3 shows how the XC4000 families implement many functions more efficiently and faster than is possible with XC3000 devices. A 9-bit parity checker, for example, can be implemented in one CLB with a propagation delay of 7 ns. Using a XC3000-family device, the same function requires two CLBs with a propagation delay of  $2 \times 5.5 \text{ ns} = 11 \text{ ns}$ . One XC4000 CLB can determine whether two 4-bit words are identical, again with a 7-ns propagation delay. The ninth input can be used for simple ripple expansion of this identity comparator (25.5 ns over 16 bits, 51.5 ns over 32 bits), or a 2-layer identity comparator can generate the result of a 32-bit comparison in 15 ns, at the cost of a single extra CLB. Simpler functions like multiplexers also benefit from the greater flexibility of the XC4000-families CLB. A 16-input multiplexer uses 5 CLBs and has a delay of only 13.5 ns.

**More Outputs:** The CLB can pass the combinatorial output(s) to the interconnect network, but can also store the combinatorial result(s) or other incoming data in one or two flip-flops, and connect their outputs to the interconnect

network as well. With XC3000-families CLBs the designer has to make a choice, either output the combinatorial function or the stored value. In the XC4000 families, the flip flops can be used as registers or shift registers without blocking the function generators from performing a different, perhaps unrelated task. This increases the functional density of the devices.

When a function generator drives a flip-flop in a CLB, the combinatorial propagation delay *overlaps completely* with the set-up time of the flip-flop. The set-up time is specified between the function generator inputs and the clock input. This represents a performance advantage over competing technologies where combinatorial delays must be added to the flip-flop set-up time.

**Fast Carry:** As described earlier, each CLB includes high-speed carry logic that can be activated by configuration. The two 4-input function generators can be configured as a 2-bit adder with built-in hidden carry that can be expanded to any length. This dedicated carry circuitry is so fast and efficient that conventional speed-up methods like carry generate/propagate are meaningless even at the 16-bit level, and of marginal benefit at the 32-bit level.

A 16-bit adder requires nine CLBs and has a combinatorial carry delay of 20.5 ns. Compare that to the 30 CLBs and 50 ns, or 41 CLBs and 30 ns in the XC3000 family.

The fast-carry logic opens the door to many new applications involving arithmetic operation, where the previous generations of FPGAs were not fast and/or not efficient enough. High-speed address offset calculations in micro-processor or graphics systems, and high-speed addition in digital signal processing are two typical applications.

**Faster and More Efficient Counters:** The XC4000-families fast-carry logic puts two counter bits into each CLB and runs them at a clock rate of up to 42 MHz for 16 bits, whether the counters are loadable or not. For a 16-bit

Table 3. Density and Performance for Several Common Circuit Functions

		XC3000 (-125)		XC4000 (-5)	
<b>16-bit Decoder From Input Pad</b>		15 ns	4 CLBs	12 ns	0 CLBs
<b>24-bit Accumulator</b>		17 MHz	46 CLBs	32 MHz	13 CLBs
<b>State Machine Benchmark*</b>		35 MHz	18 CLBs	44 MHz	13 CLBs
<b>16:1 Multiplexer</b>		16 ns	8 CLBs	16 ns	5 CLBs
<b>16-bit Undirectional Loadable Counter</b>	Max Density	20 MHz	16 CLBs	40 MHz	8 CLBs
	Max Speed	34 MHz	23 CLBs	42 MHz	9 CLBs
<b>16-bit U/D Counter</b>	Max Density	20 MHz	16 CLBs	40 MHz	8 CLBs
	Max Speed	30 MHz	27 CLBs	40 MHz	8 CLBs
<b>16-bit Adder</b>	Max Density	50 ns	30 CLBs	20.5 ns	9 CLBs
	Max Speed	30 ns	41 CLBs	20.5 ns	9 CLBs

\* 16 states, 40 transitions, 10 inputs, 8 outputs

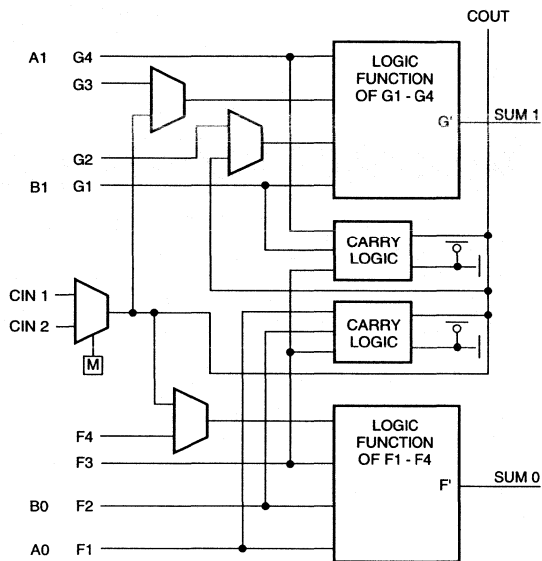


Figure 2. Fast Carry Logic in Each CLB

up/down counter, this means twice the speed in half the number of CLBs, compared with the XC3000 families.

**Pipelining Speeds Up The System:** The abundance of flip-flops in the CLBs invites pipelined designs. This is a powerful way of increasing performance by breaking the function into smaller subfunctions and executing them in parallel, passing on the results through pipeline flip-flops. This method should be seriously considered wherever total performance is more important than simple through-delay.

**Wide Edge Decoding:** For years, FPGAs have suffered from the lack of wide decoding circuitry. When the address or data field is wider than the function generator inputs (five bits in the XC3000 families), FPGAs need multi-level decoding and are thus slower than PALs. The XC4000-family CLBs have nine inputs; any decoder of up to nine inputs is, therefore, compact and fast. But, there is also a need for much wider decoders, especially for address decoding in large microprocessor systems. The XC4000 family has four programmable decoders located on each edge of each device. Each of these wired-AND gates is capable of accepting up to 42 inputs on the XC4005 and 72 on the XC4013. These decoders may also be split in two when a large number of narrower decoders are required for a maximum of 32 per device. These dedicated decoders accept I/O signals and internal signals as inputs and generate a decoded internal signal in 18 ns, pin-to-pin. The XC4000A family has only two decoder AND gates per edge which, when split provide a maximum of 16 per device. Very large PALs can be emulated by ORing the

decoder outputs in a CLB. This decoding feature covers what has long been considered a weakness of FPGAs. Users often resorted to external PALs for simple but fast decoding functions. Now, the dedicated decoders in the XC4000 can implement these functions efficiently and fast.

**Higher Output Current:** The 4-mA maximum output current specification of today's FPGAs often forces the user to add external buffers, cumbersome especially on bidirectional I/O lines. The XC4000 families solve many of these problems by increasing the maximum output sink current to 12 mA. Two adjacent outputs may be interconnected to increase the output sink current to 24 mA. The FPGA can thus drive short buses on a pc board. The XC4000A and XC4000H outputs can sink 24 mA per output and can double up for 48 mA.

While the XC2000 and XC3000 families used complementary output transistors, the XC4000 outputs are n-channel for both pull-down and pull-up, somewhat analogous to the classical totem pole used in TTL. The reduced output High level (VOH) makes circuit delays more symmetrical for TTL-threshold systems. The XC4000H outputs have an optional p-channel output transistor.

### Abundant Routing Resources

Connections between blocks are made by metal lines with programmable switching points and switching matrices. Compared to the previous LCA families, these routing resources have been increased dramatically. The number of globally distributed signals has been increased from two to eight, and these lines have access to any clock or logic input. The designer of synchronous systems can now distribute not only several clocks, but also control signals, all over the chip, without having to worry about any skew.

There are more than twice as many horizontal and vertical Longlines that can carry signals across the length or width of the chip with minimal delay and negligible skew. The horizontal Longlines can be driven by 3-state buffers, and can thus be used as unidirectional or bidirectional data buses; or they can implement wide multiplexers or wired-AND functions.

Single-length lines connect the switching matrices that are located at every intersection of a row and a column of CLBs. These lines provide the greatest interconnect flexibility, but cause a delay whenever they go through a switching matrix. Double-length lines bypass every other matrix, and provide faster signal routing over intermediate distances.

Compared to the XC3000 family, the XC4000 families have more than double the routing resources, and they are arranged in a far more regular fashion. In older devices,



inputs could not be driven by all adjacent routing lines. In the XC4000 families, these constraints have been largely eliminated. This makes it easier for the software to complete the routing of complex interconnect patterns.

Chip architects and software designers worked closely together to achieve a solution that is not only inherently powerful, but also easy to utilize by the software-driven design tools for Partitioning, Placement and Routing. The goal was to provide automated push-button software tools that complete almost all designs, even large and dense ones, automatically, without operator assistance. But these tools will still give the designer the option to get involved in the partitioning, placement and, to a lesser extent, even the routing of critical parts of the design, if that is needed to optimize the performance.

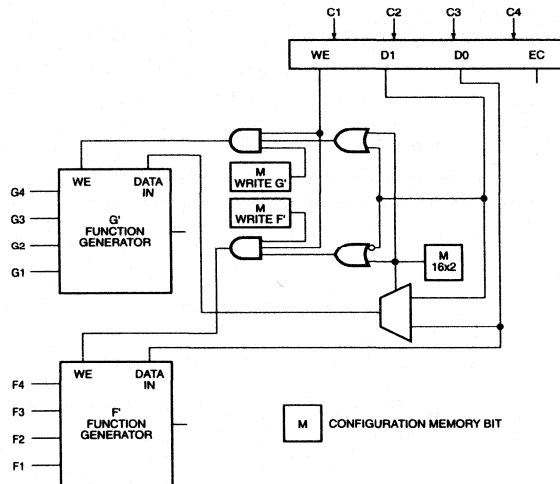
### On-Chip Memory

The XC4000, XC4000A and XC4000H family devices are the first programmable logic devices with RAM accessible to the user.

An optional mode for each CLB makes the memory look-up tables in the F' and G' function generators usable as either a 16 x 2 or 32 x 1 bit array of Read/Write memory cells (Figure 3). The F1-F4 and G1-G4 inputs to the function generators act as address lines, selecting a particular memory cell in each look-up table. The functionality of the CLB control signals change in this configuration; the H1, DIN, and S/R lines become the two data inputs and the Write Enable (WE) input for the 16 x 2 memory. When the 32 x 1 configuration is selected, D1 acts as the fifth address bit and D0 is the data input. The contents of the memory cell(s) being addressed are available at the F' and G' function-generator outputs, and can exit the CLB through its X and Y outputs, or can be pipelined using the CLB flip-flop(s).

Configuring the CLB function generators as Read/Write memory does not affect the functionality of the other portions of the CLB, with the exception of the redefinition of the control signals. The H' function generator can be used to implement Boolean functions of F', G', and D1, and the D flip-flops can latch the F', G', H', or D0 signals.

The RAMs are very fast; read access is the same as logic delay, about 5.5 ns; write time is about 8 ns; both are several times faster than any off-chip solution. Such distributed RAM is a novel concept, creating new possibilities in system design: registered arrays of multiple accumulators, status registers, index registers, DMA counters, distributed shift registers, LIFO stacks, and FIFO buffers. The data path of a 16-byte FIFO uses four CLBs for storage, and six CLBs for address counting and multiplexing (Figure 4). With 32 storage locations per CLB, compared to two flip-flops per CLB, the cost of intelligent distributed memory has been reduced by a factor of 16.

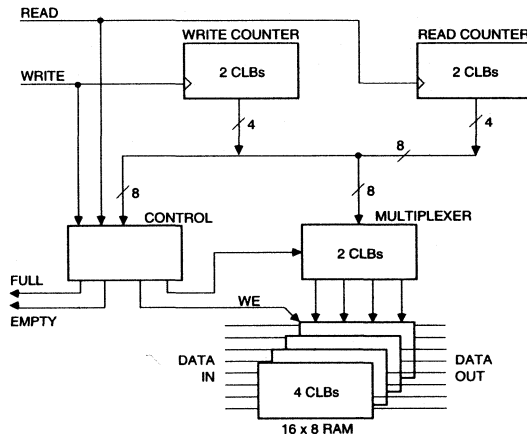


**Figure 3. CLB Function Generators Can Be Used as Read/Write Memory Cells**

### Input/Output Blocks (IOBs), XC4000 and XC4000A Families (for XC4000H family, see page 2-82)

User-configurable IOBs provide the interface between external package pins and the internal logic (Figure 5). Each IOB controls one package pin and can be defined for input, output, or bidirectional signals.

Two paths, labeled I1 and I2, bring input signals into the array. Inputs are routed to an input register that can be programmed as either an edge-triggered flip-flop or a level-sensitive transparent latch. Optionally, the data input to the register can be delayed by several nanoseconds to compensate for the delay on the clock signal, that first must



**Figure 4. 16-byte FIFO**

pass through a global buffer before arriving at the IOB. This eliminates the possibility of a data hold-time requirement at the external pin. The I1 and I2 signals that exit the block can each carry either the direct or registered input signal.

Output signals can be inverted or not inverted, and can pass directly to the pad or be stored in an edge-triggered flip-flop. Optionally, an output enable signal can be used to place the output buffer in a high-impedance state, implementing 3-state outputs or bidirectional I/O. Under configuration control, the output (OUT) and output enable (OE) signals can be inverted, and the slew rate of the output buffer can be reduced to minimize power bus transients when switching non-critical signals. Each XC4000-families output buffer is capable of sinking 12 mA; two adjacent output buffers can be wire-ANDed externally to sink up to 24 mA. In the XC4000A and XC4000H families, each output buffer can sink 24 mA.

There are a number of other programmable options in the IOB. Programmable pull-up and pull-down resistors are useful for tying unused pins to  $V_{CC}$  or ground to minimize power consumption. Separate clock signals are provided for the input and output registers; these clocks can be inverted, generating either falling-edge or rising-edge triggered flip-flops. As is the case with the CLB registers, a global set/reset signal can be used to set or clear the input and output registers whenever the RESET net is active.

Embedded logic attached to the IOBs contains test structures compatible with IEEE Standard 1149.1 for boundary-scan testing, permitting easy chip and board-level testing.

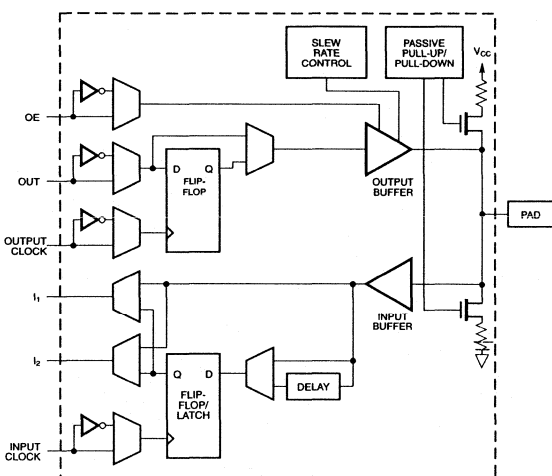


Figure 5. XC4000 and XC4000A Families Input/Output Block

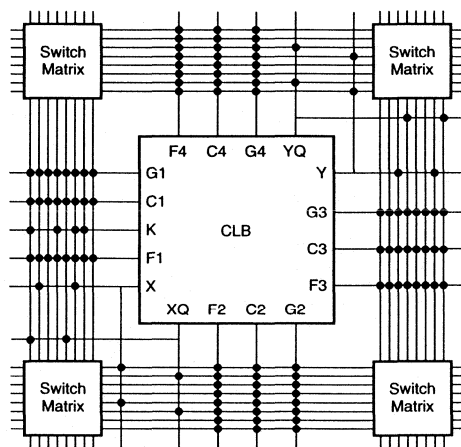
**Programmable Interconnect**

All internal connections are composed of metal segments with programmable switching points to implement the desired routing. An abundance of different routing resources is provided to achieve efficient automated routing. The number of routing channels is scaled to the size of the array; i.e., it increases with array size.

In previous generations of LCAs, the logic-block inputs were located on the top, left, and bottom of the block; outputs exited the block on the right, favoring left-to-right data flow through the device. For the third-generation family, the CLB inputs and outputs are distributed on all four sides of the block, providing additional routing flexibility (Figure 6). In general, the entire architecture is more symmetrical and regular than that of earlier generations, and is more suited to well-established placement and routing algorithms developed for conventional mask-programmed gate-array design.

There are three main types of interconnect, distinguished by the relative length of their segments: single-length lines, double-length lines, and Longlines. Note: The number of routing channels shown in Figures 6 and 9 are for illustration purposes only; the actual number of routing channels varies with array size. The routing scheme was designed for minimum resistance and capacitance of the average routing path, resulting in significant performance improvements.

The single-length lines are a grid of horizontal and vertical lines that intersect at a Switch Matrix between each block. Figure 6 illustrates the single-length interconnect lines



X3242

Figure 6. Typical CLB Connections to Adjacent Single-Length Lines

surrounding one CLB in the array. Each Switch Matrix consists of programmable n-channel pass transistors used to establish connections between the single-length lines (Figure 7). For example, a signal entering on the right side of the Switch Matrix can be routed to a single-length line on the top, left, or bottom sides, or any combination thereof, if multiple branches are required. Single-length lines are normally used to conduct signals within a localized area and to provide the branching for nets with fanout greater than one.

Compared to the previous generations of LCA architectures, the number of possible connections through the Switch Matrix has been reduced. This decreases capacitive loading and minimizes routing delays, thus increasing performance. However, a much more versatile set of connections between the single-length lines and the CLB inputs and outputs more than compensate for the reduction in Switch Matrix options, resulting in overall increased routability.

The function generator and control inputs to the CLB (F1-F4, G1-G4, and C1-C4) can be driven from any adjacent single-length line segment (Figure 6). The CLB clock (K) input can be driven from one-half of the adjacent single-length lines. Each CLB output can drive several of the single-length lines, with connections to both the horizontal and vertical Longlines.

The double-length lines (Figure 8) consist of a grid of metal segments twice as long as the single-length lines; i.e., a double-length line runs past two CLBs before entering a Switch Matrix. Double-length lines are grouped in pairs with the Switch Matrices staggered so that each line goes through a Switch Matrix at every other CLB location in that row or column. As with single-length lines, all the CLB inputs except K can be driven from any adjacent double-length line. Double-length lines provide the most efficient implementation of intermediate length, point-to-point interconnections.

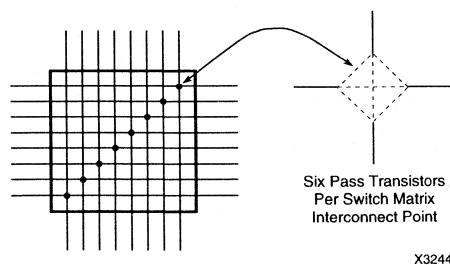


Figure 7. Switch Matrix

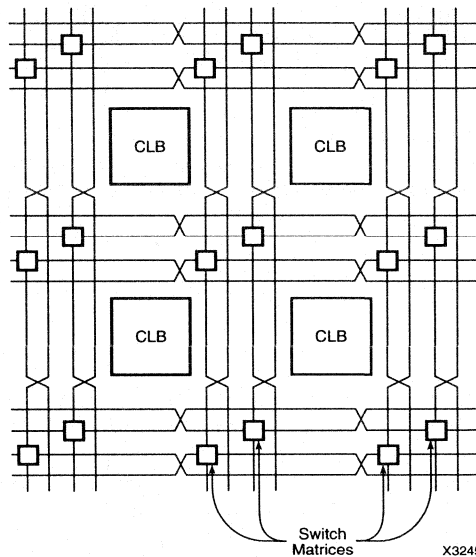


Figure 8. Double-Length Lines

Longlines form a grid of metal interconnect segments that run the entire length or width of the array (Figure 9). Additional vertical longlines can be driven by special global buffers, designed to distribute clocks and other high fanout control signals throughout the array with minimal skew. Longlines are intended for high fan-out, time-critical signal nets. Each Longline has a programmable splitter switch at its center, that can separate the line into two independent routing channels, each running half the width or height of the array. CLB inputs can be driven from a subset of the adjacent Longlines; CLB outputs are routed to the Longlines via 3-state buffers or the single-length interconnected lines.

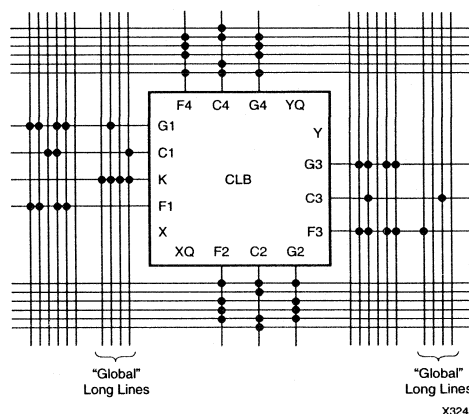


Figure 9. Longline Routing Resources with Typical CLB Connections

Communication between Longlines and single-length lines is controlled by programmable interconnect points at the line intersections. Double-length lines do not connect to other lines.

### **Three-State Buffers**

A pair of 3-state buffers, associated with each CLB in the array, can be used to drive signals onto the nearest horizontal Longlines above and below the block. This feature is also available in the XC3000 generation of LCA devices. The 3-state buffer input can be driven from any X, Y, XQ, or YQ output of the neighboring CLB, or from nearby single-length lines; the buffer enable can come from nearby vertical single-length or Longlines. Another 3-state buffer with similar access is located near each I/O block along the right and left edges of the array. These buffers can be used to implement multiplexed or bidirectional buses on the horizontal Longlines. Programmable pull-up resistors attached to both ends of these Longlines help to implement a wide wired-AND function.

Special Longlines running along the perimeter of the array can be used to wire-AND signals coming from nearby IOBs or from internal Longlines.

### **Taking Advantage of Reconfiguration**

LCA devices can be reconfigured to change logic function while resident in the system. This gives the system designer a new degree of freedom, not available with any other type of logic. Hardware can be changed as easily as software. Design updates or modifications are easy. An LCA device can even be reconfigured dynamically to perform different functions at different times. Reconfigurable logic can be used to implement system self diagnostics, create systems capable of being reconfigured for different environments or operations, or implement dual-purpose hardware for a given application. As an added benefit, use of reconfigurable LCA devices simplifies hardware design and debugging and shortens product time-to-market.

### **Development System**

The powerful features of the XC4000 device families require an equally powerful, yet easy-to-use set of development tools. Xilinx provides an enhanced version of the Xilinx Automatic CAE tools (XACT) optimized for the XC4000 families.

The advanced XC4000 XACT features include a memory compiler, MenGen, that takes advantage of the on-chip RAM, and Hard Macros that offer consistent performance for over 30 common logic functions. To address performance predictability, XACT now includes XACT Performance, that accepts performance requirements entered at the schematic level, then partitions, places and routes the design.

The XACT Design Manager (XDM) simplifies the selection of command-line options with pull-down menus and on-line help text. Application programs ranging from schematic capture to Partitioning, Placement, and Routing (PPR) can be accessed from XDM, while the program-command sequence is generated and stored for documentation prior to execution. The XMake command in XDM automates the entire process, from design entry to the generation of configuration and report files.

Similar to that for the XC2000 and XC3000 families, the XC4000 design flow consists of three steps—Design Entry, Design Implementation, and Design Verification.

### **Design Entry**

A design can be entered using schematic-capture software, state-machine description or Boolean-equation entry.

Xilinx and third-party vendors have developed library and interface products compatible with a wide variety of design-entry and simulation environments. A standard interface-file specification, XNF, is provided to simplify file transfers into and out of the XACT development system.

Xilinx offers XACT development-system interfaces to the following design environments.

- Viewlogic Viewdraw and Viewsim
- Mentor Graphics V7 and V8
- Cadence Composer Schematic Entry, Verilog Simulator
- OrCAD

Several other environments are supported by third-party vendors. Currently, more than 100 packages are supported.

### **Macro Libraries**

Along with the standard library of Soft Macros, like those included with the XC3000 families, the XC4000 family also include a library of Hard Macros. The Soft Macro library contains detailed descriptions of common logic functions such as counters, adders, etc.; it does not contain any partitioning or routing information. The performance of Soft Macros depends, therefore, on how the PPR software processes the macro.

Hard Macros, on the other hand, do contain complete partitioning, placement, and routing information. These predefined and tested functions permit the user to build timing-critical designs with optimized performance. Designing with Hard Macros is as easy as designing with MSI/LSI.

## 288 Soft Macros

(Simplify Schematic Entry)

11	Gates
43	Flip-Flops
7	Buffers
7	Latches
8	Adders/Subtractors
13	Comparators
23	Multiplexers
16	Decoders
2	Priority Encoders
1	Parity Checker
16	Data Registers
26	Shift Registers
3	RAMs
2	ROMs
59	Counters
16	I/O Circuits
12	Flags
23	Special Functions

## 34 Hard Macros

(Pre-Partitioned) Predictable Performance

2	Adders
2	Accumulators
4	Comparators
3	Multiplexers
4	Decoders
1	Encoders
2	Parity Generators
1	Prescaler
9	RAMs, (4, 8, 16 wide, 16, 32 deep)
2	Data Registers
2	Shift Registers
2	Counters

## Design Implementation

The design-implementation tools have been greatly enhanced to cope with the higher density of the XC4000 devices and to satisfy the requirement for a completely automated design process. Logic partitioning, block placement and signal routing encompass the design implementation process. The partitioner takes the logic from the schematic or other entry method, and divides the logic to fit into the blocks available on the device. The placer then determines the best locations for the blocks, depending on their connectivity and the required performance. The router finally connects the placed blocks together.

The improved PPR algorithms result in fully automatic implementation of most designs. The new algorithms also reduce execution time compared to previous software generations.

The automated implementation tools are complemented by the XACT Design Editor (XDE), an interactive graphics-

based editor that displays a model of the actual logic and routing resources of the FPGA. XDE can be used to directly view the results achieved by the automated tools. Modifications can be made using XDE; XDE can also perform checks for logic connectivity and possible design-rule violations.

Interactive point-to-point timing-delay calculations provide timing analysis and help to determine critical paths. The user can, thus, identify and correct timing problems while the design is still in process.

## Design Verification

The high development cost associated with common mask-programmed gate arrays necessitates extensive simulation to verify a design. Due to the custom nature of masked gate arrays, mistakes or last-minute design changes cannot be tolerated. A gate-array designer must simulate and test all logic and timing using simulation software. Simulation describes what happens in a system under worst-case situations. However, simulation is tedious and slow; somebody has to write simulation vectors. A few seconds of system time can take weeks to simulate.

Programmable-gate-array users, however, can use in-circuit debugging techniques in addition to simulation. Because Xilinx devices are reprogrammable, designs can be verified in the system in real time without the need for extensive simulation vectors.

The XACT development system supports both simulation and in-circuit debugging techniques. For simulation, the system extracts the post-layout timing information from the design database. This data can then be sent to the simulator to verify timing-critical portions of the design.

For in-circuit debugging, XACT has a serial download and readback cable (XChecker) that connects the device in the system to the PC or workstation through an RS232 serial port. The engineer can download a design or a design revision into the system for testing. The designer can also single-step the logic, read the contents of the numerous flip-flops on the device and observe the internal logic levels. Simple modifications can be downloaded into the system in a matter of minutes.

## Summary

The result of eight years of FPGA design experience and feedback from thousands of customers, the XC4000 families combine architectural versatility, on-chip RAM, increased speed and gate complexity with abundant routing resources and new, sophisticated software to achieve fully automated implementation of complex, high-performance designs.

**7400 Equivalents**

	# of CLBs
'42	5
'48	8
'83	4
'85	4
'138	4
'139	2
'147	4
'148	6
'150	5
'151	2
'152	2
'153	2
'154	9
'157	2
'158	2
'160	5
'161	6
'162	5
'163	7
'164	4
'165s	4
'166	5
'168	9
'169	
'174	3
'179	
'194	4
'195	3
'198	9
'199	5
'257	2
'258	2
'259	17
'273	
'278	4
'280	2
'283	4
'298	2
'352	2
'374	4
'390	2
'393	
'518	2
'521	2

**Barrel Shifters**

brlshft4	4
brlshft8	12

**4-Bit Counters**

c10bcrd	2
c10cprd	4
c16bcr	2
c16bcrd	2
c16cprd	4
c16budrd	5

**5, 6, 8-Bit Counters**

c32budrd	6
c64budrd	9
c256bcr	7
c256bcrd	5
c256bcpr	8

**Identity Comparators**

comp4	1
comp8	2
comp16	4
comp32	9

**Magnitude Comparators**

compm4	3
compm8	8 (5)
compm16	17 (9)
compm32	39

**Decoders**

d2-4e	2
d3-8e	4
d4-16	8
d4-16e	16

**Multiplexers**

m2-1e	0.5
m4-1	1
m4-1e	2
m8-1e	2
m16-1e	5

**Registers**

rd4r	2
rd8r	4
rd16r	8

**Shift Registers**

rs8p	4
rsr16	2
rsr32	16

**RAMs**

ram 16x4	2
----------	---

**Explanation of counter nomenclature:**

b=binary, p=synchronous parallel loadable, ud=up/down, c=count enable, r=synchronous reset, rd=asynchronous reset direct.

Note: When a device is not fully utilized, the automatic partitioner may assign a larger number of CLBs in order to improve speed and routing. Values in parentheses refer to Hard Macros.

Figure 10. CLB Count of Selected XC4000 Soft Macros

## Detailed Functional Description

### XC4000 and XC4000A Input/Output Blocks

(For XC4000H family, see page 2-82)

The IOB forms the interface between the internal logic and the I/O pads of the LCA device. Under configuration control, the output buffer receives either the logic signal (.out) routed from the internal logic to the IOB, or the complement of this signal, or this same data after it has been clocked into the output flip-flop.

As a configuration option, each flip-flop (CLB or IOB) is initialized as either set or reset, and is also forced into this programmable initialization state whenever the global Set/Reset net is activated after configuration has been completed. The clock polarity of each IOB flip-flop can be configured individually, as can the polarity of the 3-state control for the output buffer.

Each output buffer can be configured to be either fast or slew-rate limited, which reduces noise generation and ground bounce. Each I/O pin can be configured with either an internal pull-up or pull down resistor, or with no internal resistor. Independent of this choice, each IOB has a pull-up resistor during the configuration process.

The 3-state output driver uses a totem pole n-channel output structure.  $V_{OH}$  is one n-channel threshold lower than  $V_{CC}$ , which makes rise and fall delays more symmetrical.

Family	Per IOB Source	Per IOB Sink	Per IOB Pair Sink	# Slew Modes
XC4000	4	12	24	2
XC4000A	4	24	48	4
XC4000H	4	24*	48	2

\*XC4000H devices can sink only 4 mA configured for SoftEdge mode

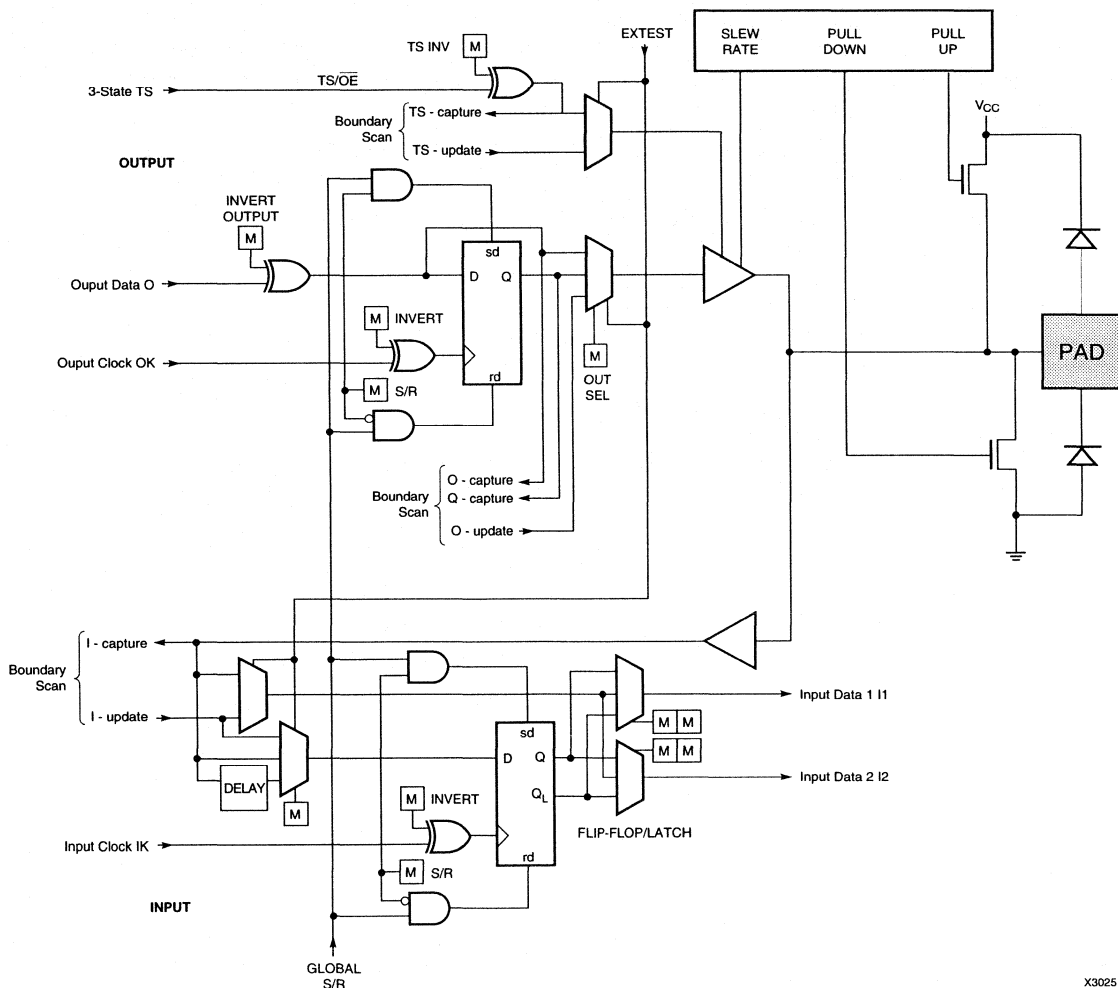


Figure 11. XC4000 and XC4000A I/O Block

X3025

The inputs drive TTL-compatible buffers with 1.2-V input threshold and a slight hysteresis of about 300 mV. These buffers drive the internal logic as well as the D-input of the input flip-flop.

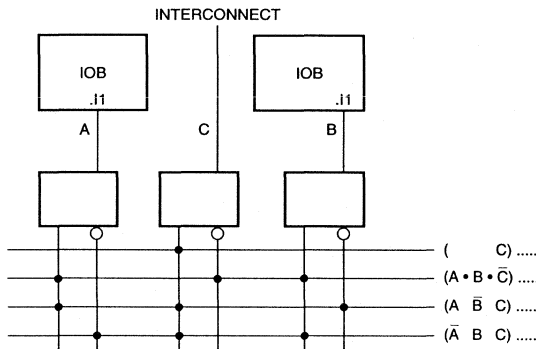
Under configuration control, the set-up time of this flip-flop can be increased so that normal clock routing does not result in a hold-time problem. Note that the input flip-flop set-up time is defined between the data measured at the device I/O pin and the clock input at the IOB. Any clock routing delay must, therefore, be subtracted from this set-up time to arrive at the real set-up time requirement on the device pins. A short specified set-up time might, therefore, result in a negative set-up time at the device pins, i.e. a hold-time requirement, which is usually undesirable. The optional long set-up time can tolerate more clock delay without causing a hold-time requirement.

The input block has two connections to the internal logic, I1 and I2. Each of these is driven either by the incoming data, by the master or by the slave of the input flip-flop.

**Wide Decoders**

The periphery of the chip has four wide decoder circuits at each edge (two in the XC4000A). The inputs to each decoder are any of the I1 signals on that edge plus one local interconnect per CLB row or column. Each decoder generates High output (resistor pull-up) when the AND condition of the selected inputs, or their complements, is true. This is analogous to the AND term in typical PAL devices. Each decoder can be split at its center.

The decoder outputs can drive CLB inputs so they can be combined with other logic, or to form a PAL-like AND/OR structure. The decoder outputs can also be routed directly to the chip outputs. For fastest speed, the output should be on the same chip edge as the decoder.



X2627

**Figure 12. Example of Edge Decoding.** Each row or column of CLBs provide up to three variables (or their complements)

**Configurable Logic Blocks**

Configurable Logic Blocks implement most of the logic in an LCA device. Two 4-input function generators (F and G) offer unrestricted versatility. A third function generator (H) can combine the outputs of F and G with a ninth input variable, thus implementing certain functions of up to nine variables, like parity check or expandable-identity comparison of two sets of four inputs.

The four control inputs C1 through C4 can each generate any one of four logic signals, used in the CLB.

- Enable Clock, Asynchronous Preset/Reset, DIN, and H1, when the memory function is disabled, or
- Enable Clock, Write Enable, D0, and D1, when the memory function is enabled.

Since the function-generator outputs are brought out independently of the flip-flop outputs, and DIN and H1 can be used as direct inputs to the two flip-flops, the two combinatorial and the two sequential functions in the CLB can be used independently. This versatility increases logic density and simplifies routing.

The asynchronous flip-flop input can be configured as either set or reset. This configuration option also determines the state in which the flip-flops become operational after configuration, as well as the effect of an externally or internally applied Set/Reset during normal operation.

**Fast Carry Logic**

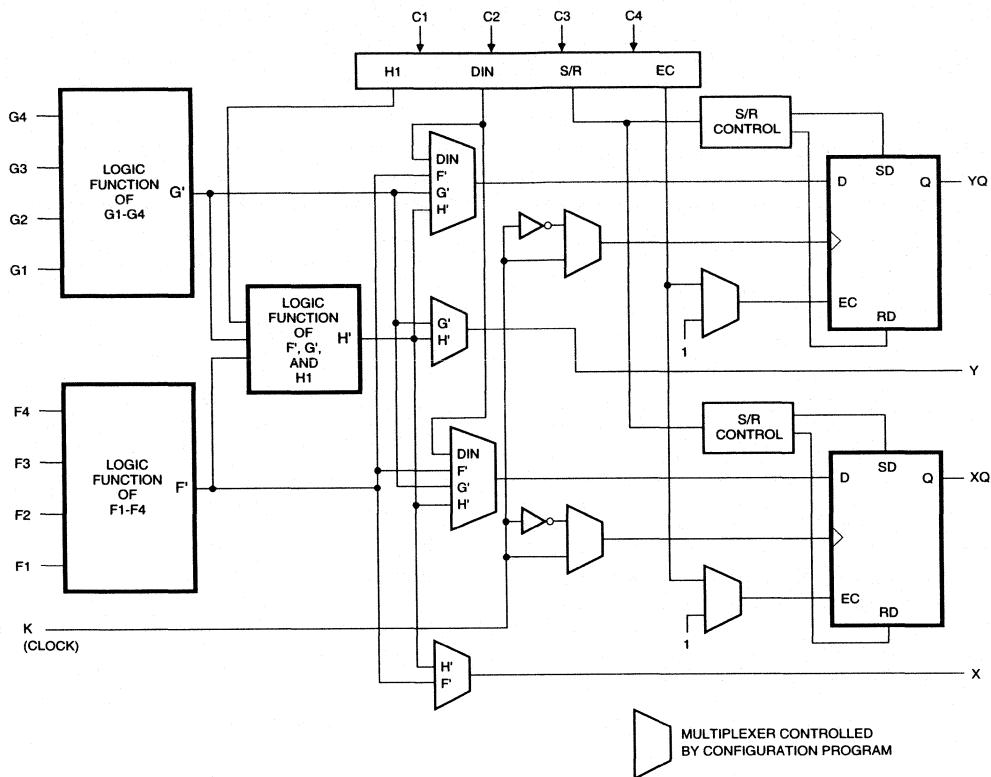
The CLBs can generate the arithmetic-carry output for incoming operands, and can pass this extra output on to the next CLB function generator above or below. This connection is independent of normal routing resources and it is, presently, only supported by Hard Macros. A later software release will accommodate Soft Macros and will permit graphic editing of the fast logic circuitry. This fast carry logic is one of the most significant improvements in the XC4000 families, speeding up arithmetic and counting into the 60-MHz range.

**Using Function Generators as RAMs**

Using XC4000 devices, the designer can write into the latches that hold the configuration content of the function generators. Each function generator can thus be used as a small Read/Write memory, or RAM. The function generators in any CLB can be configured in three ways.

- Two 16 x 1 RAMs with two data inputs and two data outputs – identical or, if preferred, different addressing for each RAM
- One 32 x 1 RAM with one data input and one data output
- One 16 x 1 RAM plus one 5-input function generator





X1519

Figure 13. Simplified Block Diagram of XC4000 Configurable Logic Block

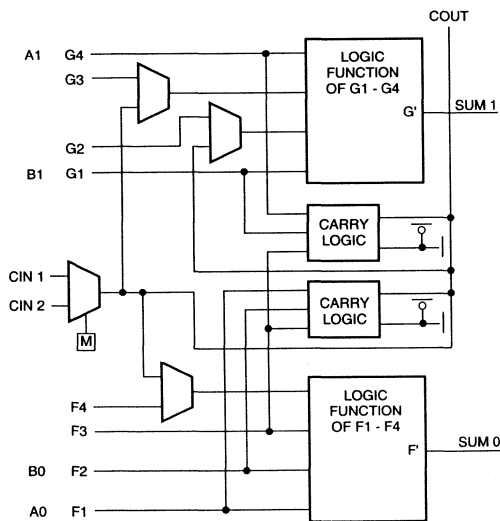


Figure 14. Fast Carry Logic in Each CLB

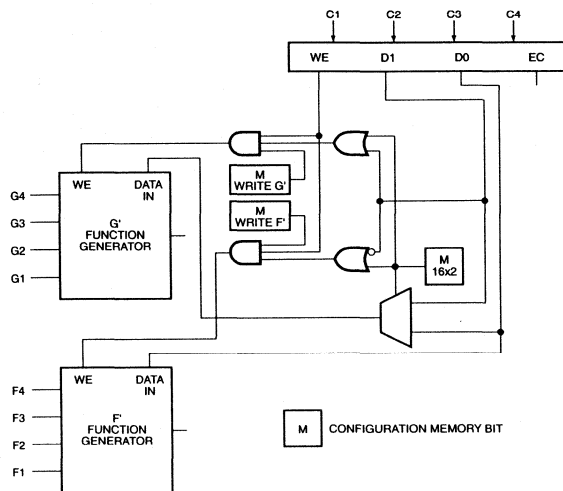


Figure 15. CLB Function Generators Can Be Used as Read/Write Memory Cells

**Boundary Scan**

Boundary Scan is becoming an attractive feature that helps sophisticated systems manufacturers test their PC boards more safely and more efficiently. The XC4000 family implements IEEE 1149.1-compatible BYPASS, PRELOAD/SAMPLE and EXTEST Boundary-Scan instructions. When the Boundary-Scan configuration option is selected, three normal user I/O pins become dedicated inputs for these functions.

The “bed of nails” has been the traditional method of testing electronic assemblies. This approach has become less appropriate, due to closer pin spacing and more sophisticated assembly methods like surface-mount technology and multi-layer boards. The IEEE Boundary Scan standard 1149.1 was developed to facilitate board-level testing of electronic assemblies. Design and test engineers can imbed a standard test logic structure in their electronic design. This structure is easily implemented with the serial and/or parallel connections of a four-pin interface on any Boundary-Scan-compatible IC. By exercising these signals, the user can serially load commands and data into these devices to control the driving of their outputs and to examine their inputs. This is an improvement over bed-of-nails testing. It avoids the need to over-drive device outputs, and it reduces the user interface to four pins. An optional fifth pin, a reset for the control logic, is described in the standard but is not implemented in the Xilinx part.

The dedicated on-chip logic implementing the IEEE 1149.1 functions includes a 16-state machine, an instruction register and a number of data registers. A register operation begins with a *capture* where a set of data is parallel loaded into the designated register for shifting out. The next state is *shift*, where captured data are shifted out while the desired data are shifted in. A number of states are provided for Wait operations. The last state of a register sequence is the *update* where the shifted content of the register is loaded into the appropriate instruction- or data-holding register, either for instruction-register decode or for data-register pin control.

The primary data register is the Boundary-Scan register. For each IOB pin in the LCA device, it includes three bits of shift register and three *update* latches for: in, out and 3-state control. Non-IOB pins have appropriate partial bit population for in or out only. Each Extest Capture captures all available input pins.

The other standard data register is the single flip-flop *bypass* register. It resynchronizes data being passed through a device that need not be involved in the current scan operation. The LCA device provides two user nets (BSCAN.SEL1 and BSCAN.SEL2) which are the decodes of two user instructions. For these instructions, two corresponding nets (BSCAN.TDO1 and BSCAN.TDO2) allow

user scan data to be shifted out on TDO. The data register clock (BSCAN.DRCK) is available for control of test logic which the user may wish to implement with CLBs. The NAND of TCK and Run-test-idle is also provided (BSCAN.IDLE).

The XC4000 Boundary Scan instruction set also includes instructions to configure the device and read back the configuration data.

**Table 4. Boundary Scan Instruction**

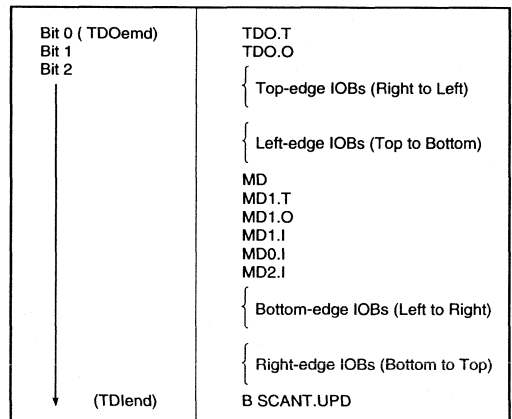
Instruction I <sub>2</sub> I <sub>1</sub> I <sub>0</sub>	Test Selected	TDO Source	I/O Data Source
0 0 0	Extest	DR	DR
0 0 1	Sample/Preload	DR	Pin/Logic
0 1 0	User 1	TDO1	Pin/Logic
0 1 1	User 2	TDO2	Pin/Logic
1 0 0	Readback	Readback Data	Pin/Logic
1 0 1	Configure	DOUT	Disabled
1 1 0	Reserved	—	—
1 1 1	Bypass	Bypass Reg	Pin/Logic

X2679

**Bit Sequence**

The bit sequence within each IOB is: in, out, 3-state. From a cavity-up (XDE) view of the chip, starting in the upper right chip corner, the Boundary-Scan data-register bits have the following order.

**Table 5. Boundary Scan Order**



X2674

The data register also includes the following non-pin bits: TDO.T, and TDO.I, which are always bits 0 and 1 of the data register, respectively, and BSCANT.UPD which is always the last bit of the data register. These three Boundary-Scan bits are special-purpose Xilinx test signals. PROGRAM, CCLK and DONE are not included in the Boundary-Scan register. For more information regarding Boundary Scan, refer to XAPP 017.001, *Boundary Scan in XC4000 Devices*.

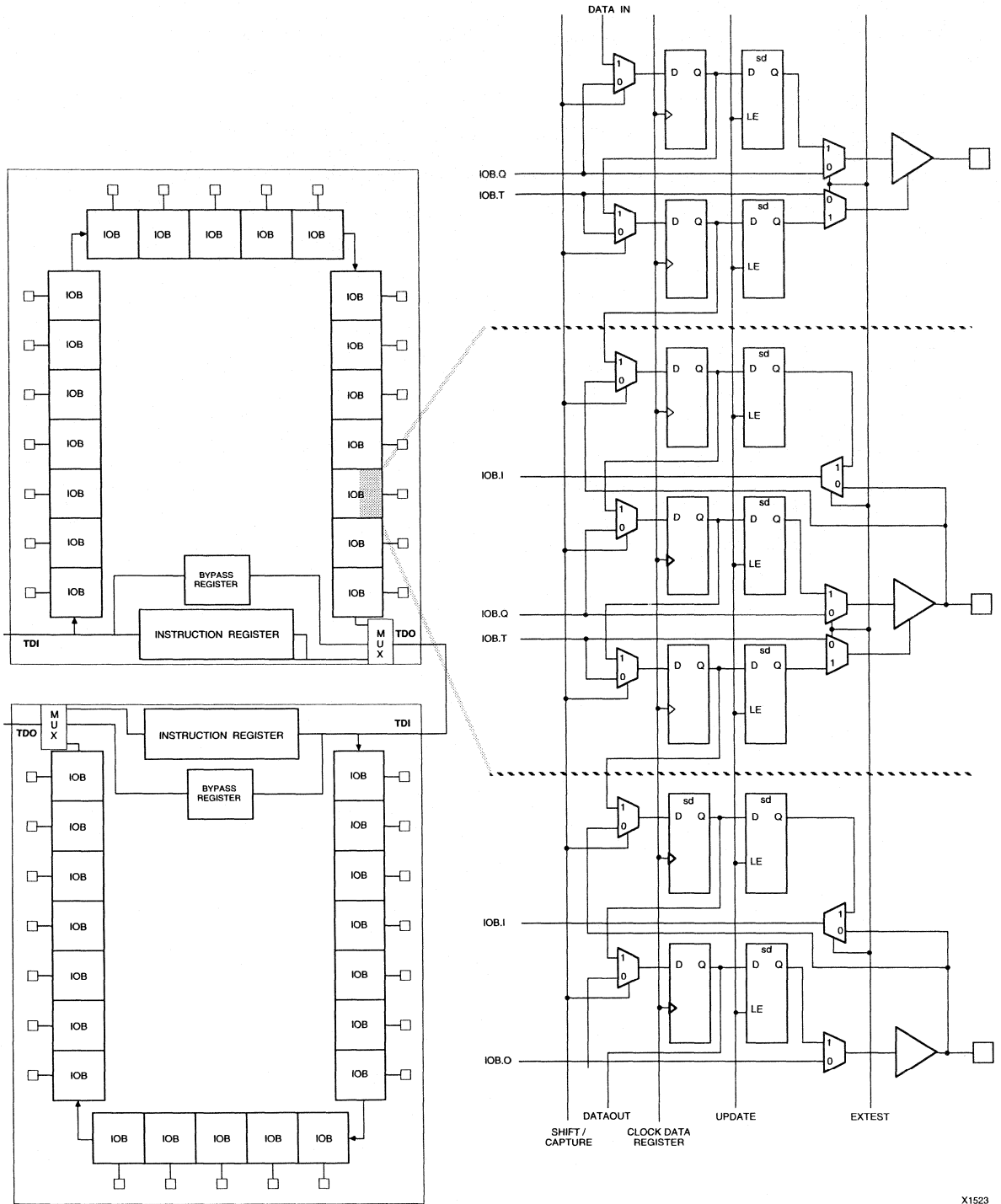


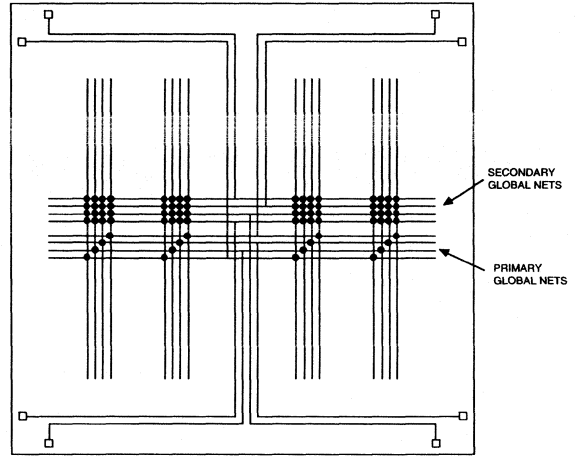
Figure 16. XC4000 Boundary Scan Logic. Includes three bits of Data Register per IOB, the IEEE 1149.1 Test Access Port controller, and the Instruction Register with decodes.

X1523

**Interconnects**

The XC4000 families use a hierarchy of interconnect resources.

- General purpose single-length and double-length lines offer fast routing between adjacent blocks, and highest flexibility for complex routes, but they incur a delay every time they pass through a switch matrix.
- Longlines run the width or height of the chip with negligible delay variations. They are used for signal distribution over long distances. Some Horizontal Longlines can be driven by 3-state or open-drain drivers, and can thus implement bidirectional buses or wired-AND decoding.
- Global Nets are optimized for the distribution of clock and time-critical or high-fan-out control signal. Four pad-driven Primary Global Nets offer shortest delay and negligible skew. Four pad-driven Secondary Global Nets have slightly longer delay and more skew due to heavier loading.

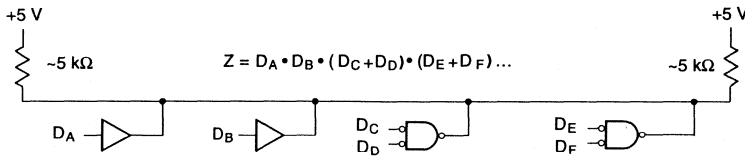


X1027

**Figure 17. XC4000 Global Net Distribution.** Four Lines per Column; Eight Inputs in the Four Chip Corners.

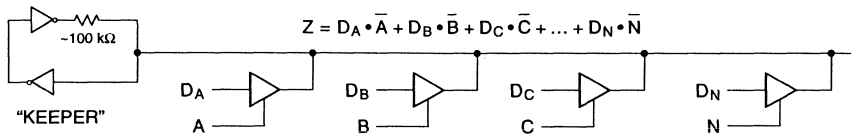
Each CLB column has four dedicated Vertical Longlines, each of these lines has access to a particular Primary Global Net, or to any one of the Secondary Global Nets. The Global Nets avoid clock skew and potential hold-time

problems. The user must specify these Global Nets for all timing-sensitive global signal distribution.



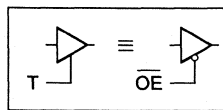
X1006

**Open Drain Buffers Implement a Wired-AND Function.** When all the buffer inputs are High the pull-up resistor(s) provide the High output.



X1007

**3-State Buffers Implement a Multiplexer.** The selection is accomplished by the buffer 3-state signal.



**Active High T is Identical to Active Low Output Enable.**

**Figure 18. TBUFs Driving Horizontal Longlines.**

## Oscillator

An internal oscillator is used for clocking of the power-on time-out, configuration memory clearing, and as the source of CCLK in Master modes. This oscillator signal runs at a nominal 8 MHz and varies with process,  $V_{CC}$  and temperature. This signal is available on an output control net (OSCO) in the upper right corner of the chip, if the oscillator-run control bit is enabled in the configuration memory. Two of four resynchronized taps of the power-on time-out divider are also available on OSC1 and OSC2. These taps are at the fourth, ninth, fourteenth and nineteenth bits of the ripple divider. This can provide output signals of approximately 500 kHz, 16 kHz, 490 Hz and 15 Hz.

## Special Purpose Pins

The mode pins are sampled prior to configuration to determine the configuration mode and timing options. After configuration, these pins can be used as auxiliary connections: Mode 0 (MD0.I) and Mode 2 (MD2.I) as inputs and Mode 1 (MD1.O and MD1.T) as an output. The XACT development system will not use these resources unless they are explicitly specified in the design entry. These dedicated nets are located in the lower left chip corner and are near the readback nets. This allows convenient routing if compatibility with the XC2000 and XC3000 family conventions of M0/RT, M1/RD is desired.

## Configuration

Configuration is the process of loading design-specific programming data into one or more LCA devices to define the functional operation of the internal blocks and their interconnections. This is somewhat like loading the command registers of a programmable peripheral chip. The XC4000 families use about 350 bits of configuration data per CLB and its associated interconnects. Each configuration bit defines the state of a static memory cell that controls either a function look-up table bit, a multiplexer input, or an interconnect pass transistor. The XACT development system translates the design into a netlist file. It automatically partitions, places and routes the logic and generates the configuration data in PROM format.

## Modes

The XC4000 families have six configuration modes selected by a 3-bit input code applied to the M0, M1, and M2 inputs. There are three self-loading Master modes, two Peripheral modes and the Serial Slave mode used primarily for daisy-chained devices. During configuration, some of the I/O pins are used temporarily for the configuration process. See Table 6.

For a detailed description of these configuration modes, see pages 2-32 through 2-41.

### Master

The Master modes use an internal oscillator to generate CCLK for driving potential slave devices, and to generate address and timing for external PROM(s) containing the configuration data. Master Parallel (up or down) modes generate the CCLK signal and PROM addresses and receive byte parallel data, which is internally serialized into the LCA data-frame format. The up and down selection generates starting addresses at either zero or 3FFFF, to be compatible with different microprocessor addressing conventions. The Master Serial mode generates CCLK and receives the configuration data in serial form from a Xilinx serial-configuration PROM.

### Peripheral

The two Peripheral modes accept byte-wide data from a bus. A READY/BUSY status is available as a handshake signal. In the asynchronous mode, the internal oscillator generates a CCLK burst signal that serializes the byte-wide data. In the synchronous mode, an externally supplied clock input to CCLK serializes the data.

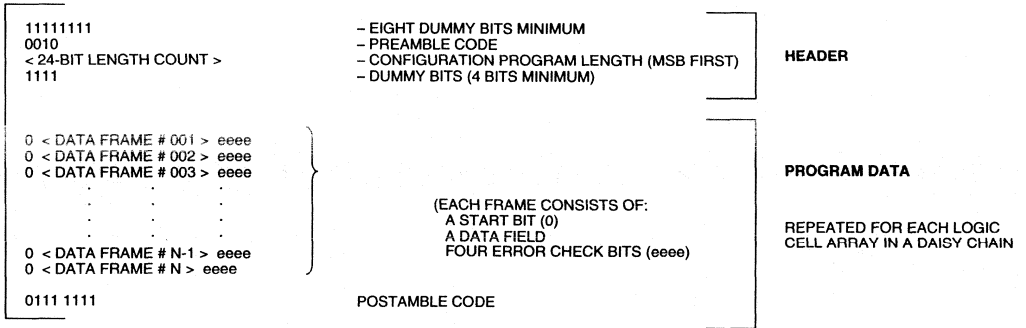
### Serial Slave

In the Serial Slave mode, the LCA device receives serial-configuration data on the rising edge of CCLK and, after loading its configuration, passes additional data out, resynchronized on the next falling edge of CCLK. Multiple slave devices with identical configurations can be wired with parallel DIN inputs so that the devices can be configured simultaneously.

Table 6. Configuration Modes

Mode	M2	M1	M0	CCLK	Data
Master Serial	0	0	0	output	Bit-Serial
Slave Serial	1	1	1	input	Bit-Serial
Master Parallel up	1	0	0	output	Byte-Wide, 00000 ↑
Master Parallel down	1	1	0	output	Byte-Wide, 3FFFF ↓
Peripheral Synchr.	0	1	1	input	Byte-Wide
Peripheral Asynchr.	1	0	1	output	Byte-Wide
Reserved	0	1	0	—	—
Reserved	0	0	1	—	—

"Peripheral Synchronous" can be considered "Slave Parallel"



X1526

Device	XC4002A	XC4003A	XC4003H	XC4004A	XC4005A	XC4005/5H	XC4006	XC4008	XC4010	XC4013
Gates	2,000	3,000	3,000	4,000	5000	5,000	6,000	8,000	10,000	13,000
CLBs (Row x Col)	64 (8 x 8)	100 (10 x 10)	100 (10 x 10)	144 (12 x 12)	196 (14 x 14)	196 (14 x 14)	256 (16 x 16)	324 (18 x 18)	400 (20 x 20)	576 (24 x 24)
IOBs	64	80	80/160	96	112	112 (192)	128	144	160	192
Flip-flops	256	360	360/300	480	616	616 (392)	768	936	1120	1536
Horizontal										
TBUF Longlines	16	20	20	24	28	28	32	36	40	48
TBUFs/Longline	10	12	12	14	16	16	18	20	22	26
Bits per Frame	102	122	126	142	162	166	186	206	226	266
Frames	310	374	428	435	502	572	644	716	788	932
Program Data	31,628	45,636	53,936	62,204	81,332	94,960	119,792	147,504	178,096	247,920
PROM size (bits)	31,668	45,676	53,976	62,244	81,372	95,000	119,832	147,544	178,136	247,960

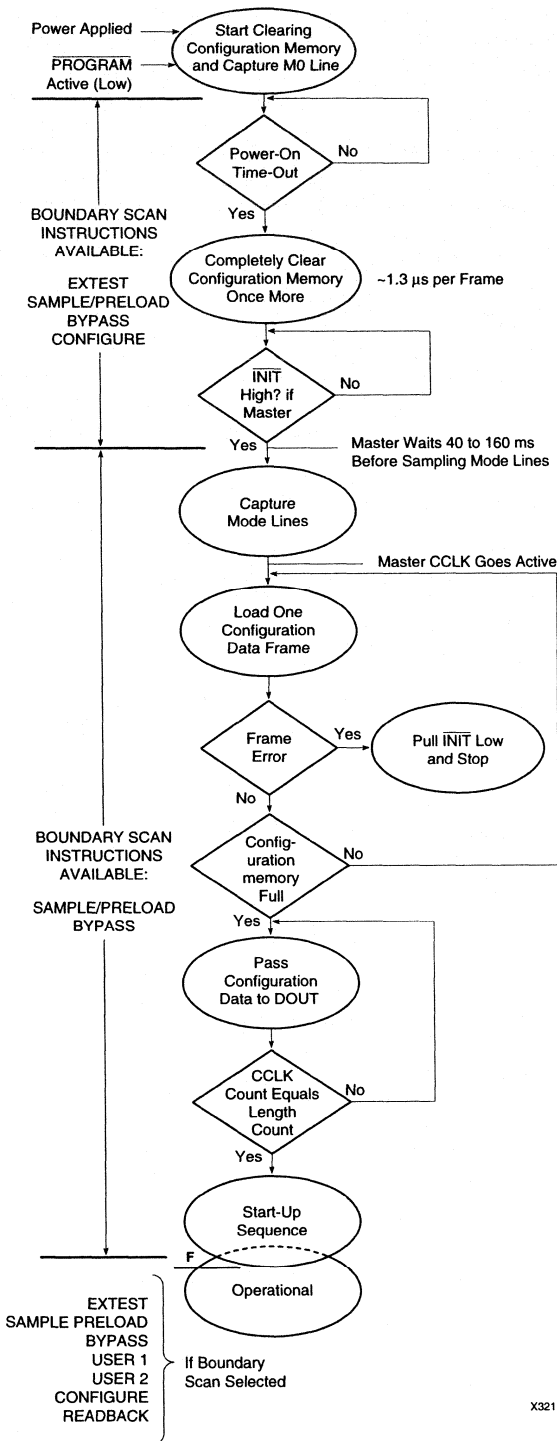
XC4000, 4000H: Bits per Frame = (10 x number of Rows) + 7 for the top + 13 for the bottom + 1 + 1 start bit + 4 error check bits  
 Number of Frames = (36 x number of Columns) + 26 for the left edge + 41 for the right edge + 1  
 XC4000A: Bits per Frame = (10 x number of Rows) + 6 for the top + 10 for the bottom + 1 + 1 start bit + 4 error check bits  
 Number of Frames = (32 x number of Columns) + 21 for the left edge + 32 for the right edge + 1  
 Program Data = (Bits per Frame x Number of Frames) + 8 postamble bits  
 PROM Size = Program Data + 40  
 The user can add more "one" bits as leading dummy bits in the header, or, if CRC = off, as trailing dummy bits at the end of any frame, following the four error check bits, but the Length Count value **must** be adjusted for all such extra "one" bits, even for leading extra ones at the beginning of the header.

Figure 25. Internal Configuration Data Structure.

**Format**

The configuration-data stream begins with a string of ones, a 0010 preamble code, a 24-bit length count, and a four-bit separator field of ones. This is followed by the actual configuration data in frames, each starting with a zero bit and ending with a four-bit error check. For each XC4XXX device, the MakeBits software allows a selection of CRC or non-CRC error checking. The non-CRC error checking tests for a 0110 end of frame field for each frame of a selected LCA device. For CRC error checking, MakeBits software calculates a running CRC of inserts a unique four-bit partial check at the end of each frame. The 11-bit CRC check of the last frame of an LCA device includes the

last seven data bits. Detection of an error results in suspension of data loading and the pulling down of the INIT pin. In master modes, CCLK and address signals continue to operate externally. The user must detect INIT and initialize a new configuration by pulsing the PROGRAM pin or cycling V<sub>CC</sub>. The length and number of frames depend on the device type. Multiple LCA devices can be connected in a daisy chain by wiring their CCLK pins in parallel and connecting the DOUT of each to the DIN of the next. The lead-master LCA device and following slaves each passes resynchronized configuration data coming from a single source. The Header data, including the length count, is passed through and is captured by each LCA



device when it recognizes the 0010 preamble. Following the length-count data, any LCA device outputs a High on DOUT until it has received its required number of data frames.

After an LCA device has received its configuration data, it passes on any additional frame start bits and configuration data on DOUT. When the total number of configuration clocks applied after memory initialization equals the value of the 24-bit length count, the LCA device(s) begin the start-up sequence and become operational together.

### Configuration Sequence

#### Configuration Memory Clear

When power is first applied or reapplied to an LCA device, an internal circuit forces initialization of the configuration logic. When  $V_{CC}$  reaches an operational level, and the circuit passes the write and read test of a sample pair of configuration bits, a nominal 22-ms time delay is started (four times longer when M0 is Low, i.e., in Master mode). During this time delay, or as long as the PROGRAM input is asserted, the configuration logic is held in a Configuration Memory Clear state. The configuration-memory frames are consecutively initialized, using the internal oscillator. At the end of each complete pass through the frame addressing, the power-on time-out delay circuitry and the level of the PROGRAM pin are tested. If neither is asserted, the logic initiates one additional clearing of the configuration frames and then tests the INIT input.

#### Initialization

During initialization and configuration, user pins HDC, LDC and INIT provide status outputs for system interface. The outputs, LDC, INIT and DONE are held Low and HDC is held High starting at the initial application of power. The open drain INIT pin is released after the final initialization pass through the frame addresses. There is a deliberate delay of 40 to 160  $\mu$ s before a Master-mode device recognizes an inactive INIT. Two internal clocks after the INIT pin is recognized as High, the LCA device samples the three mode lines to determine the configuration mode. The appropriate interface lines become active and the configuration preamble and data can be loaded.

#### Configuration

The 0010 preamble code indicates that the following 24 bits represent the length count, i.e., the total number of configuration clocks needed to load the total configuration data. After the preamble and the length count have been passed through to all devices in the daisy chain, DOUT is held High to prevent frame start bits from reaching any daisy-chained devices. A specific configuration bit, early in the first frame of a master device, controls the configuration-clock rate and can increase it by a factor of eight. Each frame has a Low start bit followed by the frame-configura-

Figure 9. Start-up Sequence

tion data bits and a 4-bit frame error field. If a frame data error is detected, the LCA device halts loading, and signals the error by pulling the open-drain INIT pin Low.

After all configuration frames have been loaded into an LCA device, DOUT again follows the input data so that the remaining data is passed on to the next device.

## Start-Up

Start-up is the transition from the configuration process to the intended user operation. This means a change from one clock source to another, and a change from interfacing parallel or serial configuration data where most outputs are 3-stated, to normal operation with I/O pins active in the user-system. Start-up must make sure that the user-logic “wakes up” gracefully, that the outputs become active without causing contention with the configuration signals, and that the internal flip-flops are released from the global Reset or Set at the right time.

Figure 27 describes Start-up timing for the three Xilinx families in detail.

The **XC2000** family goes through a fixed sequence:

DONE goes High and the internal global Reset is de-activated one CCLK period after the I/O become active.

The **XC3000** family offers some flexibility: DONE can be programmed to go High one CCLK period before or after the I/O become active. Independent of DONE, the internal global Reset is de-activated one CCLK period before or after the I/O become active.

The **XC4000** family offers additional flexibility: The three events, DONE going High, the internal Reset/Set being de-activated, and the user I/O going active, can all occur in any arbitrary sequence, each of them one CCLK period before or after, or simultaneous with, any of the other.

The default option, and the most practical one, is for DONE to go High first, disconnecting the configuration data source and avoiding any contention when the I/Os become active one clock later. Reset/Set is then released another clock period later to make sure that user-operation starts from stable internal conditions. This is the most common sequence, shown with heavy lines in Figure 27, but the designer can modify it to meet particular requirements.

The XC4000 family offers another start-up clocking option: The three events described above don't have to be triggered by CCLK, they can, as a configuration option, be triggered by a user clock. This means that the device can wake up in synchronism with the user system.

The XC4000 family introduces an additional option: When this option is enabled, the user can externally hold the open-drain DONE output Low, and thus stall all further progress in the Start-up sequence, until DONE is released and has gone High. This option can be used to force synchronization of several LCA devices to a common user clock, or to guarantee that all devices are successfully configured before any I/Os go active.

## Start-up Sequence

The Start-up sequence begins when the configuration memory is full, and the total number of configuration clocks received since INIT went High equals the loaded value of the length count. The next rising clock edge sets a flip-flop Q0 ( see Figure 28 ), the leading bit of a 5-bit shift register.

The outputs of this register can be programmed to control three events.

- The release of the open-drain DONE output,
- The change of configuration-related pins to the user function, activating all IOBs.
- The termination of the global Set/Reset initialization of all CLB and IOB storage elements.

The DONE pin can also be wire-ANDed with DONE pins of other LCA devices or with other external signals, and can then be used as input to bit Q3 of the start-up register. This is called “Start-up Timing Synchronous to Done In” and labeled: CCLK\_SYNC or UCLK\_SYNC. When DONE is not used as an input, the operation is called Start-up Timing Not Synchronous to DONE In, and is labeled CCLK\_NOSYNC or UCLK\_NOSYNC. These labels are not intuitively obvious.

As a configuration option, the start-up control register beyond Q0 can be clocked either by subsequent CCLK pulses or from an on-chip user net called STARTUP.CLK.

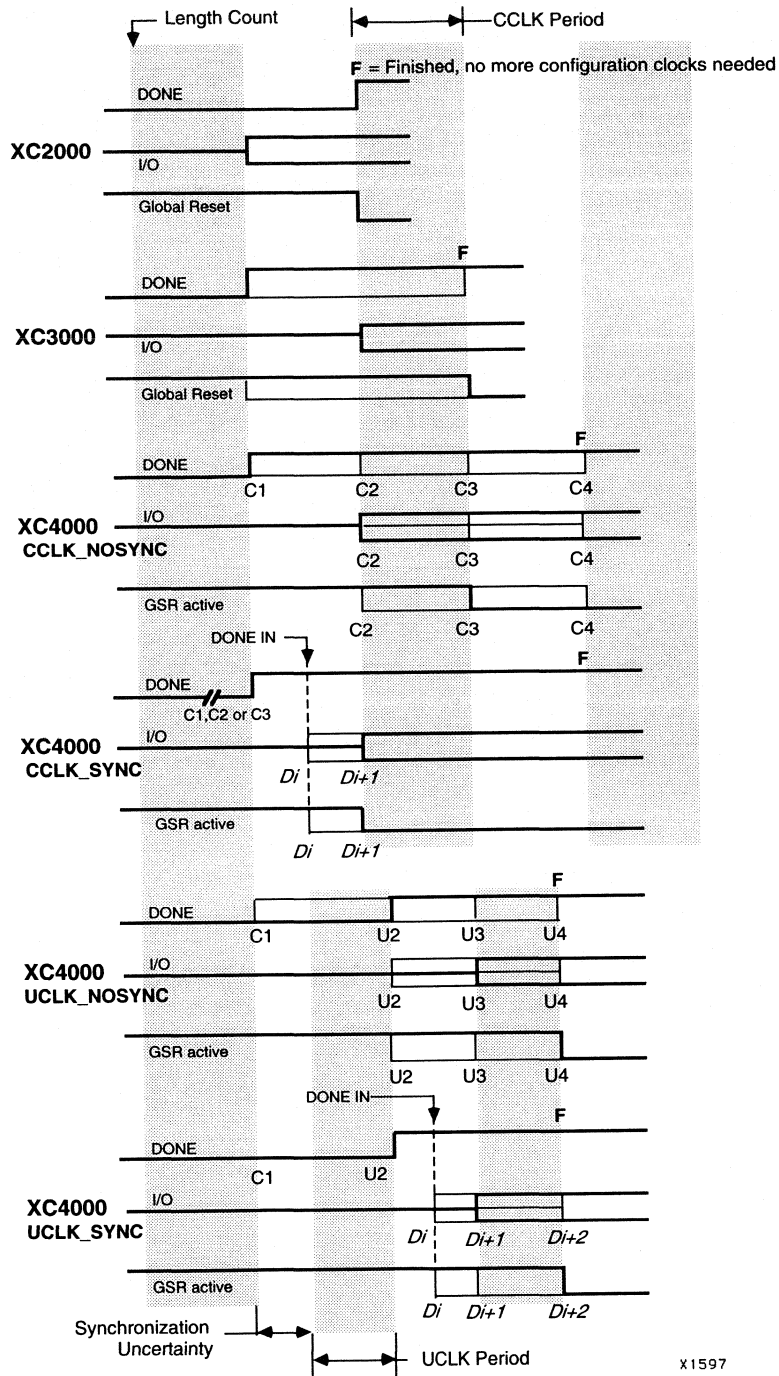
### **Start-up from CCLK**

If CCLK is used to drive the start-up, Q0 through Q3 provide the timing. Heavy lines in Figure 27 show the default timing which is compatible with XC2000 and XC3000 devices using early DONE and late Reset. The thin lines indicate all other possible timing options.

### **Start-up from a User Clock (STARTUP.CLK)**

When, instead of CCLK, a user-supplied start-up clock is selected, Q1 is used to bridge the unknown phase relationship between CCLK and the user clock. This arbitration causes an unavoidable one-cycle uncertainty in the timing of the rest of the start-up sequence.





X1597

Figure 27. Start-up Timing

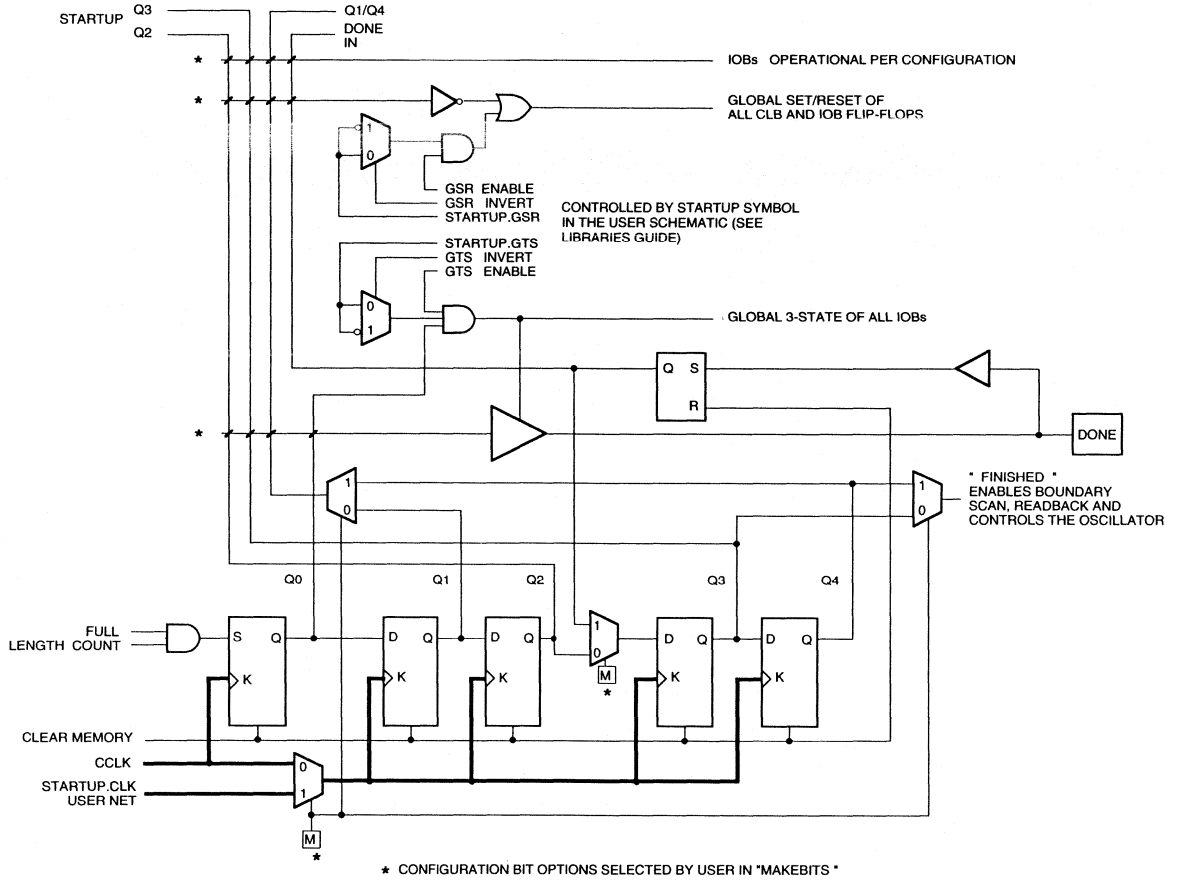


Figure 28. Start-up Logic

X1528

### Using Global Set/Reset and Global 3-State Nets

The global Set/Reset (STARTUP.GSR) net can be driven by the user at any time to re-initialize all CLBs and IOBs to the same state they had at the end of configuration. For CLBs that is the same state as the one driven by the individually programmable asynchronous Set/Reset inputs. The global 3-state net (STARTUP.GTS), whenever activated after configuration is completed, forces all LCA outputs to the high-impedance state, unless Boundary Scan is enabled and is executing an EXTEST instruction.

### Readback

The user can read back the content of configuration memory and the level of certain internal nodes without interfering with the normal operation of the device.

Readback reports not only the downloaded configuration bits, but can also include the present state of the device represented by the content of all used flip-flops and latches in CLBs and IOBs, as well as the content of function generators used as RAMs.

XC4000 Readback does not use any dedicated pins, but uses four internal nets (RDBK.TRIG, RDBK.DATA, RDBK.RIP and RDBK.CLK) that can be routed to any IOB.

After Readback has been initiated by a Low-to-High transition on RDBK.TRIG, the RDBK.RIP (Read In Progress) output goes High on the next rising edge of RDBK.CLK. Subsequent rising edges of this clock shift out Readback data on the RDBK.DATA net. Readback data does not include the preamble, but starts with five dummy bits (all High) followed by the Start bit (Low) of the first frame. The first two data bits of the first frame are always High.

Note that, in the XC4000 families, data is not inverted with respect to configuration the way it is in XC2000 and XC3000 families.

Each frame ends with four error check bits. They are read back as High. The last seven bits of the last frame are also read back as High. An additional Start bit (Low) and an

11-bit Cyclic Redundancy Check (CRC) signature follow, before RIP returns Low.

Readback options are: Read Capture, Read Abort, and Clock Select.

#### Read Capture

When the Readback Capture option is selected, the readback data stream includes sampled values of CLB and IOB signals imbedded in the data stream. The rising edge of RDBK.TRIG located in the lower-left chip corner, captures, in latches, the inverted values of the four CLB outputs and the IOB output flip-flops and the input signals I1, I2. When the capture option is not selected, the values of the capture bits reflect the configuration data originally written to those memory locations. If the RAM capability of the CLBs is used, RAM data are available in readback, since they directly overwrite the F and G function-table configuration of the CLB.

#### Read Abort

When the Readback Abort option is selected, a High-to-Low transition on RDBK.TRIG terminates the readback operation and prepares the logic to accept another trigger. After an aborted readback, additional clocks (up-to-one readback clock per configuration frame) may be required to re-initialize the control logic. The status of readback is indicated by the output control net (RDBK.RIP).

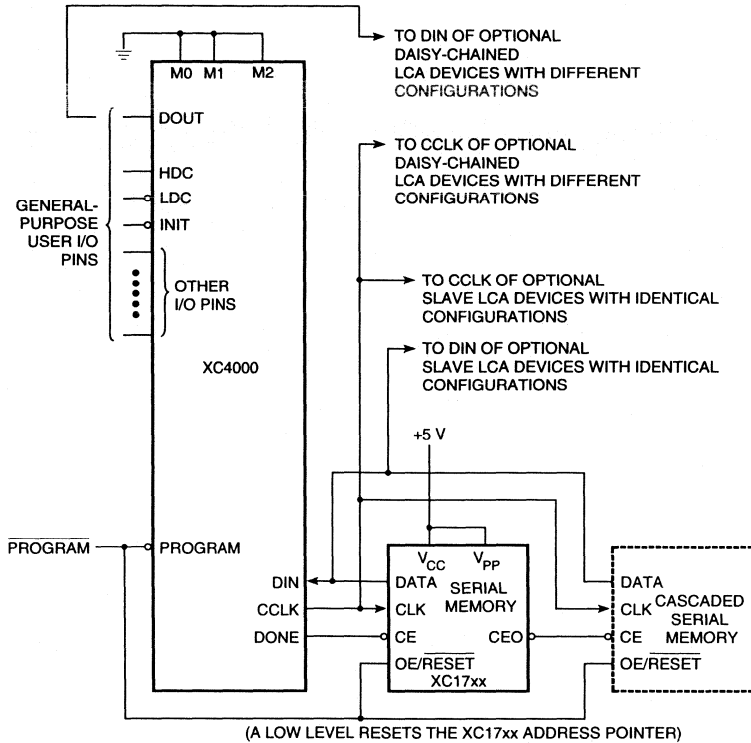
#### Clock Select

Readback control and data are clocked on rising edges of RDBK.CLK located in the lower right chip corner. CCLK is an optional clock. If Readback must be inhibited for security reasons, the readback control nets are simply not connected.

#### XChecker

The XChecker Universal Download/Readback Cable and Logic Probe uses the Readback feature for bitstream verification and for display of selected internal signals on the PC or workstation screen, effectively as a low-cost in-circuit emulator.

Master Serial Mode



X3021

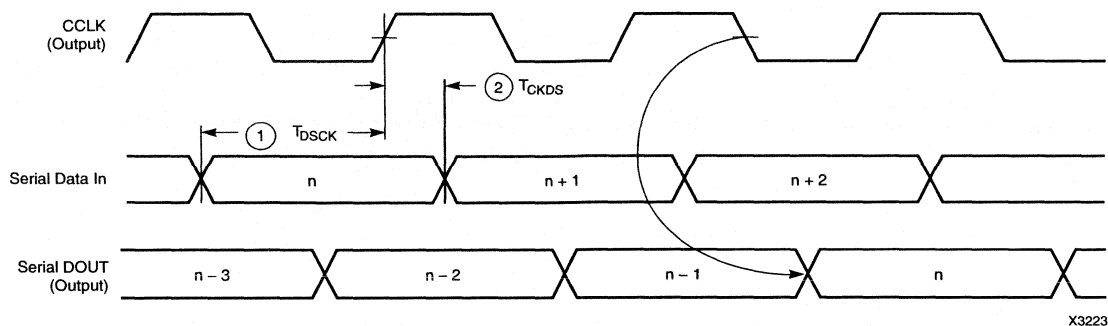
In Master Serial mode, the CCLK output of the lead LCA device drives a Xilinx Serial PROM that feeds the LCA DIN input. Each rising edge of the CCLK output increments the Serial PROM internal address counter. This puts the next data bit on the SPROM data output, connected to the LCA DIN pin. The lead LCA device accepts this data on the subsequent rising CCLK edge.

The lead LCA device then presents the preamble data (and all data that overflows the lead device ) on its DOUT pin. There is an internal delay of 1.5 CCLK periods, which

means that DOUT changes on the falling CCLK edge, and the next LCA device in the daisy-chain accepts data on the subsequent rising CCLK edge.

The SPROM  $\overline{CE}$  input can be driven from either  $\overline{LDC}$  or  $\overline{DONE}$ . Using  $\overline{LDC}$  avoids potential contention on the DIN pin, if this pin is configured as user-I/O, but  $\overline{LDC}$  is then restricted to be a permanently High user output. Using  $\overline{DONE}$  can also avoid contention on DIN, provided the early  $\overline{DONE}$  option is invoked.

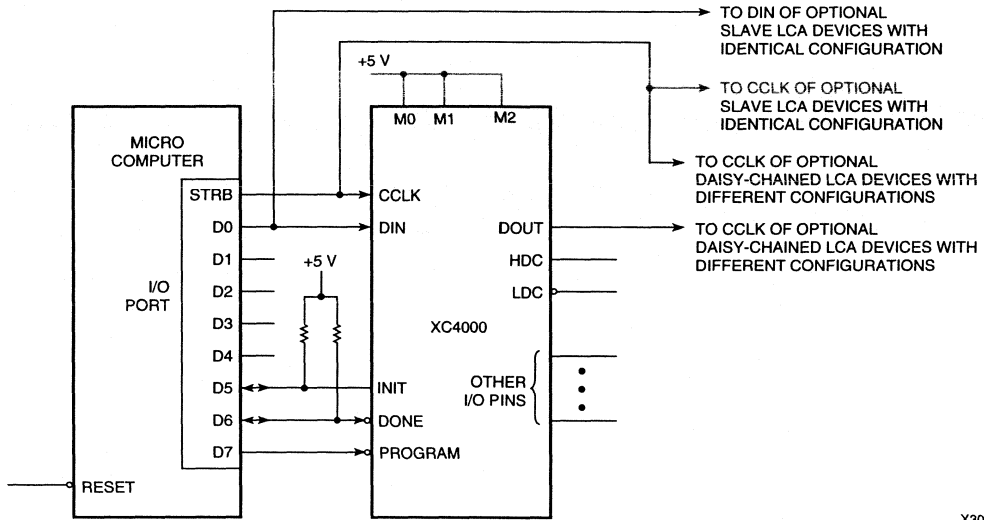
## Master Serial Mode Programming Switching Characteristics



	Description	Symbol	Min	Max	Units
CCLK	Data In setup	1 $T_{DSCK}$	60		ns
	Data In hold	2 $T_{CKDS}$	0		ns

- Notes:
1. At power-up,  $V_{CC}$  must rise from 2.0 V to  $V_{CC}$  min in less than 25 ms, otherwise delay configuration using  $\overline{INIT}$  until  $V_{CC}$  is valid.
  2. Configuration can be controlled by holding  $\overline{INIT}$  Low with or until after the  $\overline{INIT}$  of all daisy-chain slave mode devices is High.
  3. Master-serial-mode timing is based on testing in slave mode.

Slave Serial Mode

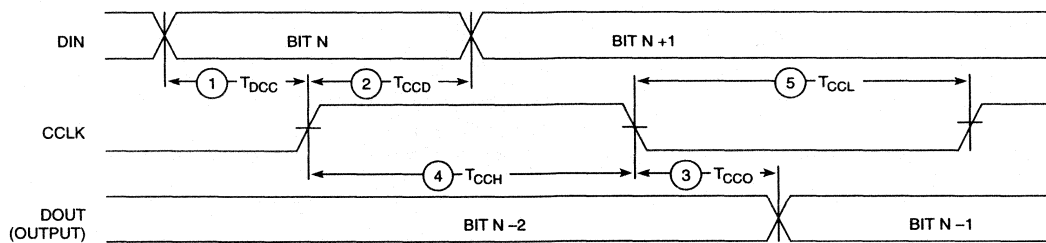


X3020

In Slave Serial mode, an external signal drives the CCLK input(s) of the LCA device(s). The serial configuration bitstream must be available at the DIN input of the lead LCA device a short set-up time before each rising CCLK edge. The lead LCA device then presents the preamble data (and all data that overflows the lead device) on its DOUT pin.

There is an internal delay of 1.5 CCLK periods, which means that DOUT changes on the falling CCLK edge, and the next LCA device in the daisy-chain accepts data on the subsequent rising CCLK edge.

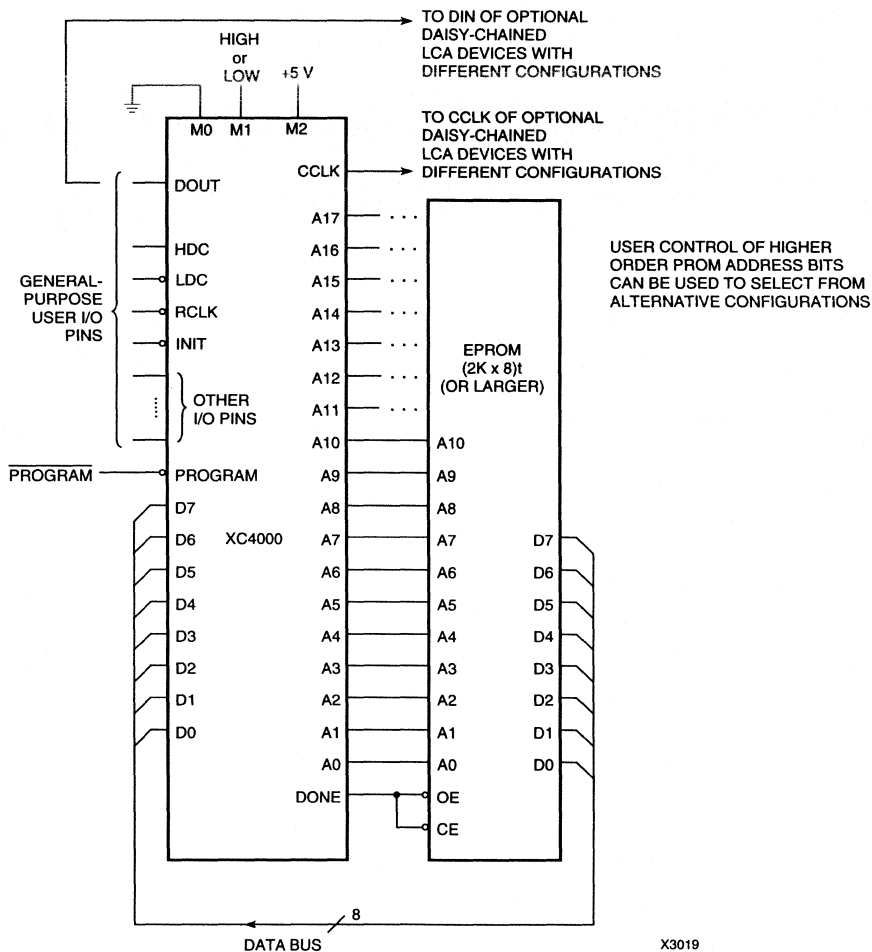
## Slave Serial Mode Programming Switching Characteristics



	Description	Symbol	Min	Max	Units
CCLK	DIN setup	1 $T_{DCC}$	20		ns
	DIN hold	2 $T_{CCD}$	0		ns
	to DOUT	3 $T_{CCO}$		30	ns
	High time	4 $T_{CCH}$	50		ns
	Low time	5 $T_{CCL}$	60		ns
	Frequency	$F_{CC}$		8	MHz

Note: Configuration must be delayed until the  $\overline{INIT}$  of all daisy-chained LCA devices is High.

Master Parallel Mode



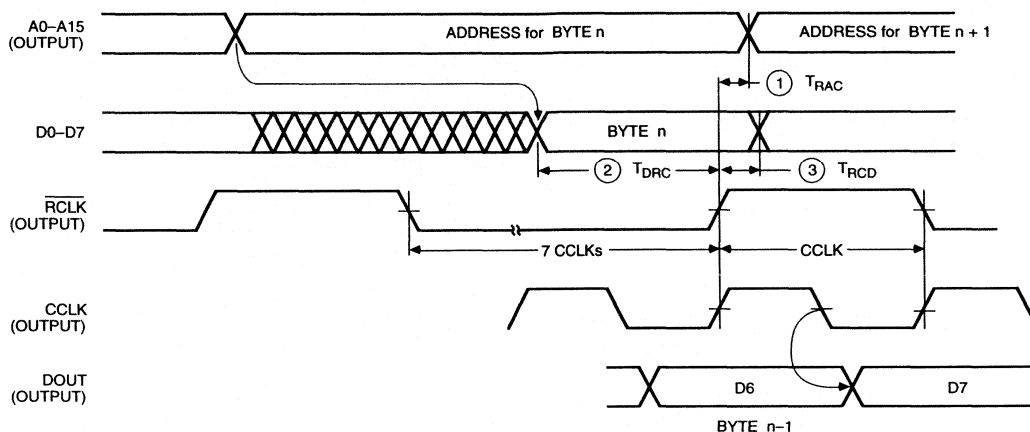
In Master Parallel mode, the lead LCA device directly addresses an industry-standard byte-wide EPROM, and accepts eight data bits right before incrementing (or decrementing) the address outputs.

The eight data bits are serialized in the lead LCA device, which then presents the preamble data ( and all data that overflows the lead device ) on the DOUT pin. There is an

internal delay of 1.5 CCLK periods, after the rising CCLK edge that accepts a byte of data (and also changes the EPROM address) until the falling CCLK edge that makes the LSB (D0) of this byte appear at DOUT. This means that DOUT changes on the falling CCLK edge, and the next LCA device in the daisy-chain accepts data on the subsequent rising CCLK edge.



## Master Parallel Mode Programming Switching Characteristics



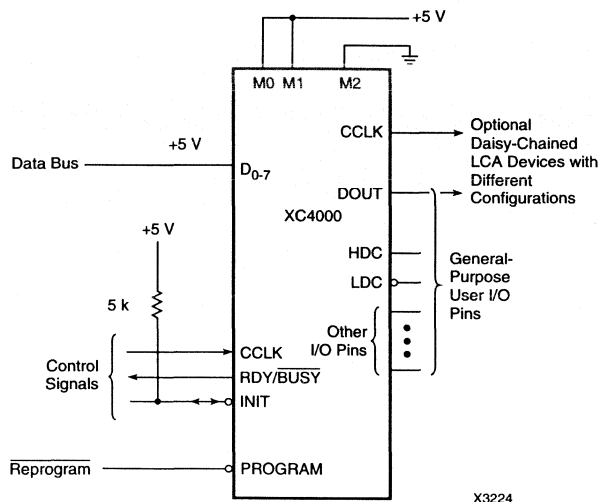
1105 30

	Description	Symbol	Min	Max	Units	
RCLK	Delay to Address valid	1	$T_{RAC}$	0	200	ns
	Data setup time	2	$T_{DRC}$	60		ns
	Data setup time	3	$T_{RCD}$	0		ns

- Notes:
1. At power-up, Vcc must rise from 2.0 V to Vcc min in less than 25 ms, otherwise delay configuration using  $\overline{INIT}$  until Vcc is valid.
  2. Configuration can be delayed by holding  $\overline{INIT}$  Low with or until after the  $\overline{INIT}$  of all daisy-chain slave mode devices is High.
  3. The first Data byte is loaded and CCLK starts at the end of the first RCLK active cycle (rising edge).

*This timing diagram shows that the EPROM requirements are extremely relaxed: EPROM access time can be longer than 500 ns. EPROM data output has no hold-time requirements.*

## Synchronous Peripheral Mode

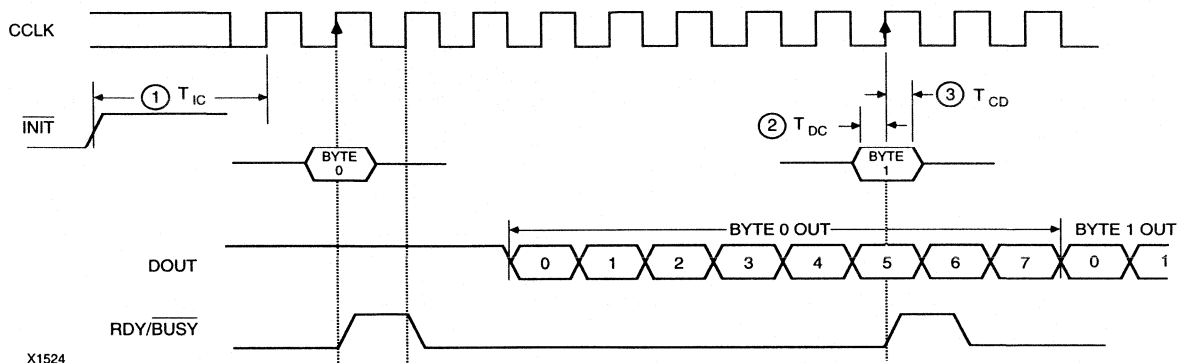


X3224

Synchronous Peripheral mode can also be considered Slave Parallel mode. An external signal drives the CCLK input(s) of the LCA device(s). The first byte of parallel configuration data must be available at the D inputs of the lead LCA device a short set-up time before each rising CCLK edge. Subsequent data bytes are clocked in on every eighth consecutive rising CCLK edge. The same CCLK edge that accepts data, also causes the RDY/BUSY output to go High for one CCLK period. The pin name is a misnomer. In Synchronous Peripheral mode it is really an ACKNOWLEDGE signal. Synchronous operation does not require this response, but it is a meaningful signal for test purposes.

The lead LCA device serializes the data and presents the preamble data (and all data that overflows the lead device) on its DOUT pin. There is an internal delay of 1.5 CCLK periods, which means that DOUT changes on the falling CCLK edge, and the next LCA device in the daisy-chain accepts data on the subsequent rising CCLK edge. In order to complete the serial shift operation, 10 additional CCLK rising edges are required after the last data byte has been loaded, plus one more CCLK cycle for each daisy-chained device.

## Synchronous Peripheral Mode Programming Switching Characteristics



X1524

	Description	Symbol	Min	Max	Units
CCLK	INIT (High) Setup time required	1 $T_{IC}$	5		$\mu$ s
	DIN Setup time required	2 $T_{DC}$	60		ns
	DIN Hold time required	3 $T_{CD}$	0		ns
	CCLK High time	$T_{CCH}$	50		ns
	CCLK Low time	$T_{CCL}$	60		ns
	CCLK Frequency	$F_{CC}$		8	MHz

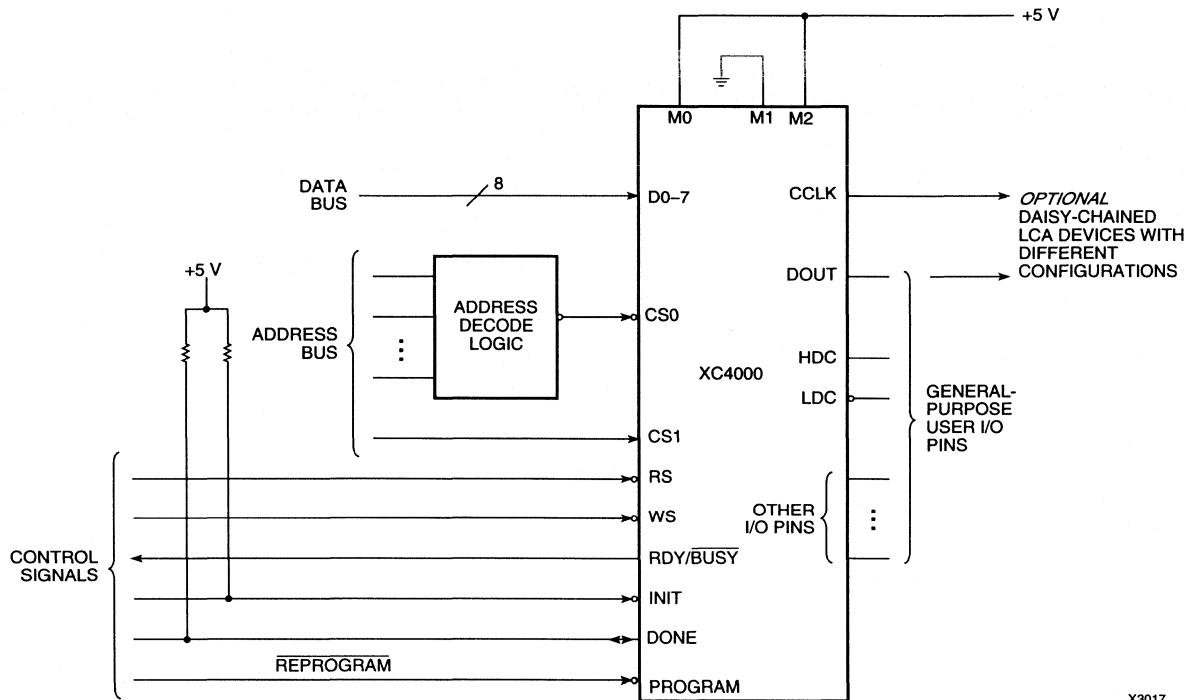
**Notes:** Peripheral Synchronous mode can be considered Slave Parallel mode. An external CCLK provides timing, clocking in the **first** data byte on the **second** rising edge of CCLK after INIT goes High. Subsequent data bytes are clocked in on every eighth consecutive rising edge of CCLK.

The RDY/BUSY line goes High for one CCLK period after data has been clocked in, although synchronous operation does not require such a response.

The pin name RDY/BUSY is a misnomer; in Synchronous Peripheral mode this is really an ACKNOWLEDGE signal.

Note that data starts to shift out serially on the DOUT pin 0.5 CLK periods after it was loaded in parallel. This obviously requires additional CCLK pulses after the last byte has been loaded.

Asynchronous Peripheral Mode



X3017

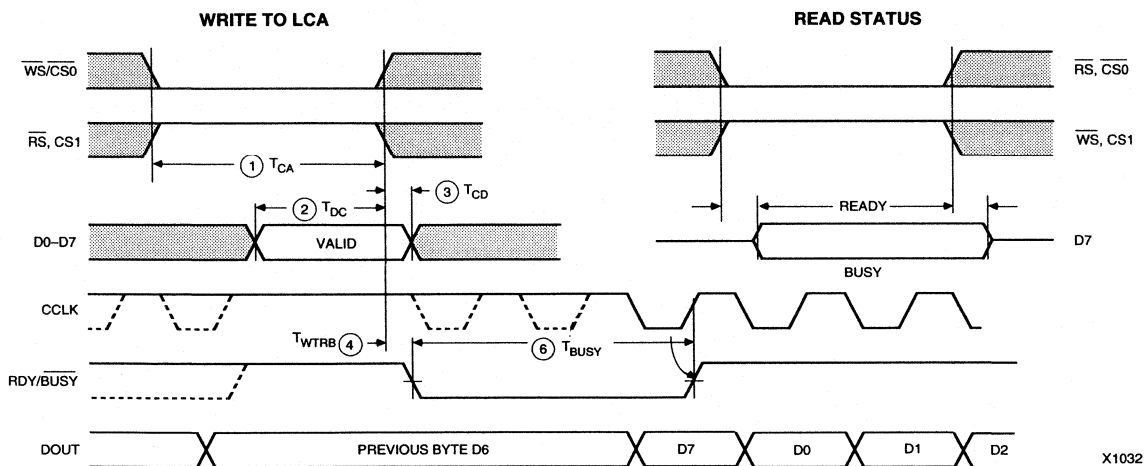
Asynchronous Peripheral mode uses the trailing edge of the logic AND condition of the  $\overline{CS0}$ ,  $\overline{CS1}$ ,  $\overline{CS2}$ , and  $\overline{WS}$  inputs to accept byte-wide data from a microprocessor bus. In the lead LCA device, this data is loaded into a double-buffered UART-like parallel-to-serial converter and is serially shifted into the internal logic. The lead LCA device presents the preamble data (and all data that overflows the lead device) on the DOUT pin.

The Ready/Busy output from the lead LCA device acts as a handshake signal to the microprocessor. RDY/BUSY goes Low when a byte has been received, and goes High

again when the byte-wide input buffer has transferred its information into the shift register, and the buffer is ready to receive new data. The length of the BUSY signal depends on the activity in the UART. If the shift register had been empty when the new byte was received, the  $\overline{BUSY}$  signal lasts for only two CCLK periods. If the shift register was still full when the new byte was received, the  $\overline{BUSY}$  signal can be as long as nine CCLK periods.

Note that after the last byte has been entered, only seven of its bits are shifted out. CCLK remains High with DOUT equal to bit 6 (the next-to-last bit) of the last byte entered.

## Asynchronous Peripheral Mode Programming Switching Characteristics



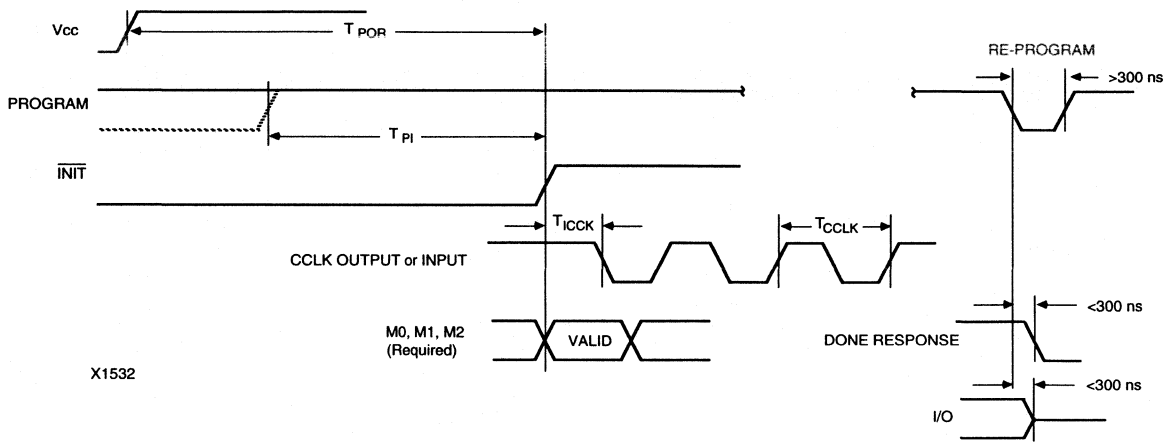
X1032

	Description	Symbol	Min	Max	Units
Write	Effective Write time required (CS0, WS = Low, RS, CS1 = High)	1   $T_{CA}$	100		ns
RDY	DIN Setup time required	2   $T_{DC}$	60		ns
	DIN Hold time required	3   $T_{CD}$	0		ns
	RDY/BUSY delay after end of WS	4   $T_{WTRB}$		60	ns
	Earliest next WS after end of BUSY	5   $T_{RBWT}$	0		ns
	BUSY Low output (Note 4)	6   $T_{BUSY}$	2	9	CCLK Periods

- Notes:
1. Configuration must be delayed until the  $\overline{INIT}$  of all LCA devices is High.
  2. Time from end of WS to CCLK cycle for the new byte of data depends on completion of previous byte processing and the phase of the internal timing generator for CCLK.
  3. CCLK and DOUT timing is tested in slave mode.
  4. T<sub>BUSY</sub> indicates that the double-buffered parallel-to-serial converter is not yet ready to receive new data. The shortest T<sub>BUSY</sub> occurs when a byte is loaded into an empty parallel-to-serial converter. The longest T<sub>BUSY</sub> occurs when a new word is loaded into the input register before the second-level buffer has started shifting out data.

*This timing diagram shows very relaxed requirements:  
Data need not be held beyond the rising edge of WS. BUSY will go active within 60 ns after the end of WS.  
WS may be asserted immediately after the end of BUSY.*

General LCA Switching Characteristics



X1532

Master Modes

		Symbol	Min	Max	Units
Power-On-Reset	M0 = High	$T_{POR}$	10	40	ms
	M0 = Low	$T_{POR}$	40	130	ms
Program Latency		$T_{PI}$	3	20	$\mu\text{s}$ per CLB column
CCLK (output) Delay	period (slow)	$T_{ICCK}$	40	250	$\mu\text{s}$
	period (fast)	$T_{CCLK}$	640	2000	ns
		$T_{CCLK}$	100	250	ns

Slave and Peripheral Modes

		Symbol	Min	Max	Units
Power-On-Reset		$T_{POR}$	10	33	ms
Program Latency		$T_{PI}$	3	20	$\mu\text{s}$ per CLB column
CCLK (input) Delay (required)	period (required)	$T_{ICCK}$	4		$\mu\text{s}$
		$T_{CCLK}$	125		ns

Note: At power-up,  $V_{CC}$  must rise from 2.0 V to  $V_{CC}$  min in less than 25 ms, otherwise delay configuration using INIT until  $V_{CC}$  is valid.

## Configuration Pin Assignments

CONFIGURATION MODE: <M2:M1:M0>						
SLAVE <1:1:1>	MASTER-SER <0:0:0>	SYN.PERIPH <0:1:1>	SYN.PERIPH <1:0:1>	MASTER-HIGH <1:1:0>	MASTER-LOW <1:0:0>	USER OPERATION
				A16	A16	PGI-I/O
				A17	A17	I/O
TDI	TDI	TDI	TDI	TDI	TDI	TDI-I/O
TCK	TCK	TCK	TCK	TCK	TCK	TCK-I/O
TMS	TMS	TMS	TMS	TMS	TMS	TMS-I/O
						SGI-I/O
M1 (HIGH) (I)	M1 (LOW) (I)	M1 (HIGH) (I)	M1 (LOW) (I)	M1 (HIGH) (I)	M1 (LOW) (I)	(O)
M0 (HIGH) (I)	M0 (LOW) (I)	M0 (HIGH) (I)	M0 (HIGH) (I)	M0 (LOW) (I)	M0 (LOW) (I)	(I)
M2 (HIGH) (I)	M2 (LOW) (I)	M2 (LOW) (I)	M2 (HIGH) (I)	M2 (HIGH) (I)	M2 (HIGH) (I)	(I)
						PGI-I/O
HDC (HIGH)	HDC (HIGH)	HDC (HIGH)	HDC (HIGH)	HDC (HIGH)	HDC (HIGH)	I/O
LDC (LOW)	LDC (LOW)	LDC (LOW)	LDC (LOW)	LDC (LOW)	LDC (LOW)	I/O
INIT-ERROR	INIT-ERROR	INIT-ERROR	INIT-ERROR	INIT-ERROR	INIT-ERROR	I/O
						SGI-I/O
DONE	DONE	DONE	DONE	DONE	DONE	DONE
PROGRAM (I)	PROGRAM (I)	PROGRAM (I)	PROGRAM (I)	PROGRAM (I)	PROGRAM (I)	PROGRAM
		DATA 7 (I)	DATA 7 (I)	DATA 7 (I)	DATA 7 (I)	I/O
						PGI-I/O
		DATA 6 (I)	DATA 6 (I)	DATA 6 (I)	DATA 6 (I)	I/O
		DATA 5 (I)	DATA 5 (I)	DATA 5 (I)	DATA 5 (I)	I/O
			CS0 (I)			I/O
		DATA 4 (I)	DATA 4 (I)	DATA 4 (I)		I/O
		DATA 3 (I)	DATA 3 (I)	DATA 3 (I)	DATA 3 (I)	I/O
			RS (I)			I/O
		DATA 2 (I)	DATA 2 (I)	DATA 2 (I)	DATA 2 (I)	I/O
		DATA 1 (I)	DATA 1 (I)	DATA 1 (I)	DATA 1 (I)	I/O
		RDY/BUSY	RDY/BUSY	RCLK	RCLK	I/O
DIN (I)	DIN (I)	DATA 0 (I)	DATA 0 (I)	DATA 0 (I)	DATA 0 (I)	I/O
DOUT	DOUT	DOUT	DOUT	DOUT	DOUT	SGI-I/O
CCLK (I)	CCLK (O)	CCLK (O)	CCLK (O)	CCLK(O)	CCLK (O)	CCLK (I)
TDO	TDO	TDO	TDO	TDO	TDO	TDO-(O)
			WS (I)	A0	A0	I/O
				A1	A1	PGI-I/O
			CS1 (I)	A2	A2	I/O
				A3	A3	I/O
				A4	A4	I/O
				A5	A5	I/O
				A6	A6	I/O
				A7	A7	I/O
				A8	A8	I/O
				A9	A9	I/O
				A10	A10	I/O
				A11	A11	I/O
				A12	A12	I/O
				A13	A13	I/O
				A14	A14	I/O
				A15	A15	SGI-I/O

REPRESENTS A 50 kΩ TO 100 kΩ PULL-UP

\* INIT IS AN OPEN-DRAIN OUTPUT DURING CONFIGURATION

(I) REPRESENTS AN INPUT

## Pin Descriptions

### Permanently Dedicated Pins

#### $V_{CC}$

Eight or more (depending on package type) connections to the nominal +5 V supply voltage. All must be connected.

---

#### GND

Eight or more (depending on package type) connections to ground. All must be connected.

---

#### CCLK

During configuration, Configuration Clock is an output of the LCA in Master modes or asynchronous Peripheral mode, but is an input to the LCA in Slave mode and Synchronous Peripheral mode.

After configuration, CCLK has a weak pull-up resistor and can be selected as Readback Clock.

---

#### DONE

This is a bidirectional signal with optional pull-up resistor. As an output, it indicates the completion of the configuration process. The configuration program determines the exact timing, the clock source for the Low-to-High transition, and enable of the pull-up resistor.

As an input, a Low level on DONE can be configured to delay the global logic initialization or the enabling of outputs

---

#### PROGRAM

This is an active Low input that forces the LCA to clear its configuration memory.

When PROGRAM goes High, the LCA finishes the current clear cycle and executes another complete clear cycle, before it goes into a WAIT state and releases INIT.

---

### User I/O Pins that can have Special Functions

#### RDY/BUSY

During peripheral modes, this pin indicates when it is appropriate to write another byte of data into the LCA device. The same status is also available on D7 in asynchronous peripheral mode, if a read operation is performed when the device is selected. After configuration, this is a user-programmable I/O pin.

---

#### RCLK

During Master parallel configuration, this output indicates a read operation of an external dynamic memory device. This output is normally not used. After configuration, this is a user-programmable I/O pin.

---

#### M0, M1, M2

As Mode inputs, these pins are sampled before the start of configuration to determine the configuration mode to be used.

After configuration, M0 and M2 can be used as inputs, and M1 can be used as a 3-state output. These three pins have no associated input or output registers.

These pins can be user inputs or outputs only when called out by special schematic definitions.

---

#### TDO

If boundary scan is used, this is the Test Data Output.

If boundary scan is not used, this pin is a 3-state output without a register, after configuration is completed.

This pin can be user output only when called out by special schematic definitions.

---

#### TDI, TCK, TMS

If boundary scan is used, these pins are Test Data In, Test Clock, and Test Mode Select inputs respectively coming directly from the pads, bypassing the IOBs. These pins can also be used as inputs to the CLB logic after configuration is completed.

If the boundary scan option is not selected, all boundary scan functions are inhibited once configuration is completed, and these pins become user-programmable I/O.

---

### Note:

The XC4000 families have no Powerdown control input; use the global 3-state net instead.

The XC4000 families have no dedicated Reset input. Any user I/O can be configured to drive the global Set/Reset net.

---



---

## HDC

High During Configuration is driven High until configuration is completed. It is available as a control output indicating that configuration is not yet completed. After configuration, this is a user-programmable I/O pin.

---

## LDC

Low During Configuration is driven Low until configuration. It is available as a control output indicating that configuration is not yet completed. After configuration, this is a user-programmable I/O pin.

---

## INIT

Before and during configuration, this is a bidirectional signal. An external pull-up resistor is recommended.

As an active-Low open-drain output,  $\overline{\text{INIT}}$  is held Low during the power stabilization and internal clearing of the configuration memory. As an active-Low input, it can be used to hold the LCA device in the internal WAIT state before the start of configuration. Master mode devices stay in a WAIT state an additional 30 to 300  $\mu\text{s}$  after INIT has gone High.

During configuration, a Low on this output indicates that a configuration data error has occurred. After configuration, this is a user-programmable I/O pin.

---

## PGCK1 - PGCK4

Four Primary Global Inputs each drive a dedicated internal global net with short delay and minimal skew. If not used for this purpose, any of these pins is a user-programmable I/O.

---

## SGCK1 - SGCK4

Four Secondary Global Inputs can each drive a dedicated internal global net, that alternatively can also be driven from internal logic. If not used for this purpose, any of these pins is a user-programmable I/O pin.

---

## CS0, CS1, WS, RS

These four inputs are used in Peripheral mode. The chip is selected when CS0 is Low and CS1 is High. While the chip is selected, a Low on Write Strobe (WS) loads the data present on the D0 - D7 inputs into the internal data buffer; a Low on Read Strobe (RS) changes D7 into a status output: High if Ready, Low if Busy.  $\overline{\text{WS}}$  and  $\overline{\text{RS}}$  should be mutually exclusive, but if both are Low simultaneously, the Write Strobe overrides. After configuration, these are user-programmable I/O pins.

---

## A0 - A17

During Master Parallel mode, these 18 output pins address the configuration EPROM. After configuration, these are user-programmable I/O pins.

---

## D0 - D7

During Master Parallel and Peripheral configuration modes, these eight input pins receive configuration data. After configuration, they are user-programmable I/O pins.

---

## DIN

During Slave Serial or Master Serial configuration modes, this is the serial configuration data input receiving data on the rising edge of CCLK.

During parallel configuration modes, this is the D0 input. After configuration, DIN is a user-programmable I/O pin.

---

## DOUT

During configuration in any mode, this is the serial configuration data output that can drive the DIN of daisy-chained slave LCA devices. DOUT data changes on the falling edge of CCLK, one-and-a-half CCLK periods after it was received at the DIN input. After configuration, DOUT is a user-programmable I/O pin.

---

## Unrestricted User-Programmable I/O Pins

### I/O

A pin that can be configured to be input and/or output after configuration is completed. Before configuration is completed, these pins have an internal high-value pull-up resistor that defines the logic level as High.

---

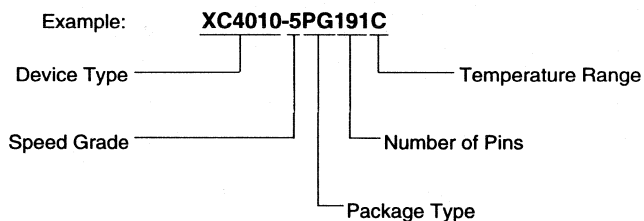
For a detailed description of the device architecture, see page 2-9.

For a detailed description of the configuration modes and their timing, see pages 2-32 through 2-55.

For detailed lists of package pinouts, see pages 2-56 through 2-62.

For package physical dimensions, see Section 4.

### Ordering Information



### Component Availability

PINS	84			100			120	144	156	160	164	191	196	208		223	240	
	PLAST. PLCC	PLAST. PQFP	PLAST. VQFP	TOP BRAZED CQFP	CERAM. PGA	PLAST. TOFP	CERAM. PGA	PLAST. TOFP	PLAST. TOFP	TOP BRAZED CQFP	CERAM. PGA	TOP BRAZED CQFP	PLAST. PQFP	METAL PQFP	CERAM. PGA	PLAST. PQFP	METAL PQFP	
CODE	PC84	PQ100	VQ100	CB100	PG120	TQ144	PG156	PQ160	CB164	PG191	CB196	PQ208	MQ208	PG223	PQ240	MQ240		
XC4005	-10						MB		MB									
	-6	CI					CIMB	CI	MB				CI					
	-5	C					C	C					C					
	-4	C					C	C					C					
XC4006	-6						CI	CI					CI					
	-5						C	C					C					
	-4						C	C					C					
XC4008	-6											CI		(C)	CI			
	-5											C		(C)	C			
	-4											C		(C)	C			
XC4010	-10											MB	MB					
	-6											CIMB	MB	(C)	CI			
	-5											C		(C)	C			
	-4											C		(C)	C			
XC4013	-6														CI	CI(MB)	(C)	CI
	-5														C	C	(C)	C
	-4														C	C	(C)	C
XC4002A	-6	CI	CI	CI			CI											
	-5	C	C	C			C											
	-4	C	C	C			C											
XC4003A	-10				MB	MB												
	-6	CI	CI	CI	MB	CIMB												
	-5	C	C	C		C												
	-4	C	C	C		C												
XC4004A	-6	CI				CI	CI		CI									
	-5	C				C	C		C									
	-4	C				C	C		C									
XC4005A	-6	CI					CI	CI	CI						CI			
	-5	C					C	C	C						C			
	-4	C					C	C	C						C			
XC4003H	-6											CI			CI			
	-5											C			C			
	-4											C			C			
XC4005H	-6															CI	(CI)	CI
	-5															C	(C)	C
	-4															C	(C)	C

C = Commercial = 0° to +70° C    I = Industrial = -40° to +85° C    M = Mil Temp = -55° to +125° C  
 B = MIL-STD-883C Class B    Parentheses indicates future product plans



# XC4000 Logic Cell Array Family

## Product Description

### Features

- Third Generation Field-Programmable Gate Arrays
  - Abundant flip-flops
  - Flexible function generators
  - On-chip ultra-fast RAM
  - Dedicated high-speed carry-propagation circuit
  - Wide edge decoders
  - Hierarchy of interconnect lines
  - Internal 3-state bus capability
  - Eight global low-skew clock or signal distribution network
- Flexible Array Architecture
  - Programmable logic blocks and I/O blocks
  - Programmable interconnects and wide decoders
- Sub-micron CMOS Process
  - High-speed logic and Interconnect
  - Low power consumption
- Systems-Oriented Features
  - IEEE 1149.1-compatible boundary-scan logic support
  - Programmable output slew rate (2 modes)
  - Programmable input pull-up or pull-down resistors
  - 12-mA sink current per output
  - 24-mA sink current per output pair
- Configured by Loading Binary File
  - Unlimited reprogrammability
  - Six programming modes
- XACT Development System runs on '386/486-type PC, NEC PC, Apollo, Sun-4, and Hewlett-Packard 700 series
  - Interfaces to popular design environments like Viewlogic, Mentor Graphics and OrCAD
  - Fully automatic partitioning, placement and routing
  - Interactive design editor for design optimization
  - 288 macros, 34 hard macros, RAM/ROM compiler

### Description

The XC4000 family of Field-Programmable Gate Arrays (FPGAs) provides the benefits of custom CMOS VLSI, while avoiding the initial cost, time delay, and inherent risk of a conventional masked gate array.

The XC4000 family provides a regular, flexible, programmable architecture of Configurable Logic Blocks (CLBs), interconnected by a powerful hierarchy of versatile routing resources, and surrounded by a perimeter of programmable Input/Output Blocks (IOBs).

XC4000 devices have generous routing resources to accommodate the most complex interconnect patterns. They are customized by loading configuration data into the internal memory cells. The FPGA can either actively read its configuration data out of external serial or byte-parallel PROM (master modes), or the configuration data can be written into the FPGA (slave and peripheral modes).

The XC4000 family is supported by powerful and sophisticated software, covering every aspect of design: from schematic entry, to simulation, to automatic block placement and routing of interconnects, and finally the creation of the configuration bit stream.

Since Xilinx FPGAs can be reprogrammed an unlimited number of times, they can be used in innovative designs where hardware is changed dynamically, or where hardware must be adapted to different user applications. FPGAs are ideal for shortening the design and development cycle, but they also offer a cost-effective solution for production rates well beyond 1000 systems per month.

For a detailed description of the device features, architecture, configuration methods and pin descriptions, see pages 2-9 through 2-45.

Table 1. The XC4000 Family of Field-Programmable Gate Arrays

Device	XC4005	XC4006	XC4008	XC4010	XC4013	XC4016*	XC4020*
Appr. Gate Count	5,000	6,000	8,000	10,000	13,000	16,000	20,000
CLB Matrix	14 x 14	16 x 16	18 x 18	20 x 20	24 x 24	26 x 26	30 x 30
Number of CLBs	196	256	324	400	576	676	900
Number of Flip-Flops	616	768	936	1120	1536	1768	2280
Max Decode Inputs (per side)	42	48	54	60	72	78	90
Max RAM Bits	6,272	8,192	10,368	12,800	18,432	21,632	28,800
Number of IOBs	112	128	144	160	192	208	240

\*Planned

**Absolute Maximum Ratings**

			<b>Units</b>
V <sub>CC</sub>	Supply voltage relative to GND	-0.5 to 7.0	V
V <sub>IN</sub>	Input voltage with respect to GND	-0.5 to 7	V
V <sub>TS</sub>	Voltage applied to 3-state output	-0.5 to 7	V
T <sub>STG</sub>	Storage temperature (ambient)	-65 to + 150	°C
T <sub>SOL</sub>	Maximum soldering temperature (10 s @ 1/16 in. = 1.5 mm)	+ 260	°C
T <sub>J</sub>	Junction temperature	+ 150	°C

**Note:** Stresses beyond those listed under Absolute Maximum Ratings may cause permanent damage to the device. These are stress ratings only, and functional operation of the device at these or any other conditions beyond those listed under Recommended Operating Conditions is not implied. Exposure to Absolute Maximum Ratings conditions for extended periods of time may affect device reliability.

**Operating Conditions**

				<b>Min</b>	<b>Max</b>	<b>Units</b>
V <sub>CC</sub>	Supply voltage relative to GND	Commercial	0°C to 70°C	4.75	5.25V	
	Supply voltage relative to GND	Industrial	-40°C to 85°C	4.5	5.5 V	
	Supply voltage relative to GND	Military	-55°C to 125°C	4.5	5.5 V	
V <sub>IH</sub>	High-level input voltage (XC4000 has TTL-like input thresholds)			2.0	V <sub>CC</sub> V	
V <sub>IL</sub>	Low-level input voltage (XC4000 has TTL-like input thresholds)			0	0.8	V
T <sub>IN</sub>	Input signal transition time				250 ns	

**DC Characteristics Over Operating Conditions**

				<b>Min</b>	<b>Max</b>	<b>Units</b>
V <sub>OH</sub>	High-level output voltage @ I <sub>OH</sub> = -4.0 mA, V <sub>CC</sub> min			2.4		V
V <sub>OL</sub>	Low-level output voltage @ I <sub>OL</sub> = 12.0 mA, V <sub>CC</sub> max (Note 1)				0.4	V
I <sub>CCO</sub>	Quiescent LCA supply current (Note 2)				10	mA
I <sub>IL</sub>	Leakage current			-10	+10	µA
C <sub>IN</sub>	Input capacitance (sample tested)				15	pF
I <sub>RIN</sub>	Pad pull-up (when selected) @ V <sub>IN</sub> = 0V (sample tested)			0.02	0.25	mA
I <sub>RLL</sub>	Horizontal Long Line pull-up (when selected) @ logic Low			0.2	2.5	mA

**Note:** 1. With 50% of the outputs simultaneously sinking 12 mA.  
 2. With no output current loads, no active input or longline pull-up resistors, all package pins at V<sub>CC</sub> or GND, and the LCA configured with a MakeBits tie option.

## Wide Decoder Switching Characteristic Guidelines

Testing of the switching parameters is modeled after testing methods specified by MIL-M-38510/605. All devices are 100% functionally tested. Since many internal timing parameters cannot be measured directly, they are derived from benchmark timing patterns. The following guidelines reflect worst-case values over the recommended operating conditions. For more detailed, more precise, and more up-to-date timing information, use the values provided by the XACT timing calculator and used in the simulator.

Description	Speed Grade		-6	-5	-4	Units
	Symbol	Device	Max	Max	Max	
Full length, both pull-ups, inputs from IOB I-pins	$T_{WAF}$	XC4005	10.0	9.0	6.0	ns
		XC4006	11.0	10.0	7.0	ns
		XC4008	12.0	11.0	8.0	ns
		XC4010	13.0	12.0	9.0	ns
		XC4013	15.0	14.0	11.0	ns
Full length, both pull-ups inputs from internal logic	$T_{WAFL}$	XC4005	13.0	12.0	8.0	ns
		XC4006	14.0	13.0	9.0	ns
		XC4008	15.0	14.0	10.0	ns
		XC4010	16.0	15.0	11.0	ns
		XC4013	18.0	17.0	13.0	ns
Half length, one pull-up inputs from IOB I-pins	$T_{WAO}$	XC4005	10.0	9.0	7.0	ns
		XC4006	11.0	10.0	8.0	ns
		XC4008	12.0	11.0	9.0	ns
		XC4010	13.0	12.0	10.0	ns
		XC4013	15.0	14.0	12.0	ns
Half length, one pull-up inputs from internal logic	$T_{WAOL}$	XC4005	13.0	12.0	9.0	ns
		XC4006	14.0	13.0	10.0	ns
		XC4008	15.0	14.0	11.0	ns
		XC4010	16.0	15.0	12.0	ns
		XC4013	18.0	17.0	14.0	ns

Note: These delays are specified from the decoder input to the decoder output. For pin-to-pin delays, add the input delay ( $T_{PID}$ ) and output delay ( $T_{OPF}$  or  $T_{OPS}$ ), as listed on page 2-52.

## Global Buffer Switching Characteristic Guidelines

Testing of the switching parameters is modeled after testing methods specified by MIL-M-38510/605. All devices are 100% functionally tested. Since many internal timing parameters cannot be measured directly, they are derived from benchmark timing patterns. The following guidelines reflect worst-case values over the recommended operating conditions. For more detailed, more precise, and more up-to-date timing information, use the values provided by the XACT timing calculator and used in the simulator.

Description	Speed Grade		-6	-5	-4	Units
	Symbol	Device	Max	Max	Max	
Global Signal Distribution From pad through <b>primary</b> buffer, to any clock K	$T_{PG}$	XC4005	8.0	6.0	5.5	ns
		XC4006	8.2	6.2	5.7	ns
		XC4008	8.6	6.6	6.1	ns
		XC4010	9.0	7.0	6.5	ns
		XC4013	10.0	8.0	7.5	ns
From pad through <b>secondary</b> buffer, to any clock K	$T_{SG}$	XC4005	9.0	7.0	6.7	ns
		XC4006	9.2	7.2	6.9	ns
		XC4008	9.6	7.6	7.3	ns
		XC4010	10.0	8.0	7.7	ns
		XC4013	11.0	9.0	8.7	ns

## Horizontal Longline Switching Characteristic Guidelines

Testing of the switching parameters is modeled after testing methods specified by MIL-M-38510/605. All devices are 100% functionally tested. Since many internal timing parameters cannot be measured directly, they are derived from benchmark timing patterns. The following guidelines reflect worst-case values over the recommended operating conditions. For more detailed, more precise, and more up-to-date timing information, use the values provided by the XACT timing calculator and used in the simulator.

Description	Speed Grade		-6	-5	-4	Units
	Symbol	Device	Max	Max	Max	
TBUF driving a Horizontal Longline (L.L.) I going High or Low to L.L. going High or Low, while T is Low, i.e. buffer is constantly active	$T_{IO1}$	XC4005	10.0	7.0	5.5	ns
		XC4006	10.6	7.5	6.0	ns
		XC4008	11.1	8.0	6.5	ns
		XC4010	11.7	8.5	7.0	ns
		XC4013	13.0	9.5	7.5	ns
T going Low to L.L. going from resistive pull-up High to active Low, (TBUF configured as open drain)	$T_{IO2}$	XC4005	10.5	7.5	6.0	ns
		XC4006	11.1	8.0	6.5	ns
		XC4008	11.6	8.5	7.0	ns
		XC4010	12.2	9.0	7.5	ns
		XC4013	13.5	10.0	8.0	ns
T going Low to L.L. going from resistive pull-up or floating High to active Low, (TBUF configured as open drain or active buffer with I = Low)	$T_{ON}$	XC4005	12.0	10.0	8.0	ns
		XC4006	12.6	10.5	8.5	ns
		XC4008	13.2	11.0	9.0	ns
		XC4010	13.8	11.5	9.5	ns
		XC4013	15.1	12.6	11.1	ns
T going High to TBUF going inactive, not driving L.L.	$T_{OFF}$	All devices	3.0	2.0	1.8	ns
T going High to L.L. going from Low to High, pulled up by a single resistor	$T_{PUS}$	XC4005	26.0	22.0	16.0	ns
		XC4006	28.0	24.0	18.0	ns
		XC4008	30.0	26.0	20.0	ns
		XC4010	32.0	28.0	22.0	ns
		XC4013	36.0	32.0	26.0	ns
T going High to L.L. going from Low to High, pulled up by two resistors	$T_{PUF}$	XC4005	12.0	10.0	8.0	ns
		XC4006	13.0	11.0	9.0	ns
		XC4008	14.0	12.0	10.0	ns
		XC4010	15.0	13.0	11.0	ns
		XC4013	17.0	15.0	13.0	ns

## Guaranteed Input and Output Parameters (Pin-to-Pin)

All values listed below are tested directly and guaranteed over the operating conditions. The same parameters can also be derived indirectly from the IOB and Global Buffer specifications. The XACT delay calculator uses this indirect method. When there is a discrepancy between these two methods, the values listed below should be used, and the indirectly derived values must be ignored.

Description	Speed Grade		-6	-5	-4	Units
	Symbol	Device				
Global Clock to Output (fast) using OFF 	$T_{ICKOF}$ (Max)	XC4005 XC4006 XC4008 XC4010 XC4013		13.0 13.2 13.6 14.0 15.0		ns ns ns ns ns
Global Clock to Output (slew limited) using OFF 	$T_{ICKO}$ (Max)	XC4005 XC4006 XC4008 XC4010 XC4013		16.0 16.2 16.6 17.0 18.0		ns ns ns ns ns
Input Set-up Time, using IFF (fast) 	$T_{PSUF}$ (Min)	XC4005 XC4006 XC4008 XC4010 XC4013		1.5 1.3 0.9 0.5 -0.5		ns ns ns ns ns
Input Hold time, using IFF (fast) 	$T_{PHF}$ (Min)	XC4005 XC4006 XC4008 XC4010 XC4013		4.5 4.7 5.1 5.5 6.5		ns ns ns ns ns
Input Set-up Time, using IFF (with delay) 	$T_{PSU}$ (Min)	XC4005 XC4006 XC4008 XC4010 XC4013		18.0 17.8 17.4 17.0 16.0		ns ns ns ns ns
Input Hold Time, using IFF (with delay) 	$T_{PH}$ (Min)	XC4005 XC4006 XC4008 XC4010 XC4013		-5.0 -4.8 -4.4 -4.0 -3.0		ns ns ns ns ns

Timing is measured at pin threshold, with 50 pF external capacitive loads (incl. test fixture).

When testing fast outputs, only one output switches. When testing slew-rate limited outputs, half the number of outputs on one side of the device are switching.

These parameter values are tested and guaranteed for worst-case conditions of supply voltage and temperature, and also with the most unfavorable clock polarity choice. The use of a falling-edge clock in the IOB increases the effective clock delay by 1 to 2 ns.

The use of a **rising** clock edge, therefore, reduces the clock-to-Q delay, and ends the hold-time requirement earlier.

The use of a **falling** clock edge reduces the input set-up time requirement. In the tradition of guaranteeing absolute worst-case parameter values, the table above does not take advantage of these improvements. The user can choose between a rising clock edge with slightly shorter output delay, or a falling clock edge with slightly shorter input set-up time. One of these parameters is inevitably better than the guaranteed specification listed above, albeit by only 1 to 2 ns.

## IOB Switching Characteristic Guidelines

Testing of the switching parameters is modeled after testing methods specified by MIL-M-38510/605. All devices are 100% functionally tested. Since many internal timing parameters cannot be measured directly, they are derived from benchmark timing patterns. The following guidelines reflect worst-case values over the recommended operating conditions. For more detailed, more precise, and more up-to-date timing information, use the values provided by the XACT timing calculator and used in the simulator.

Description	Symbol	Speed Grade		-5		-4		Units
		-6	-6	Min	Max	Min	Max	
<b>Input</b>								
Propagation Delays								
Pad to I1, I2	$T_{PID}$		4.0		3.0		2.8	ns
Pad to I1, I2, via transparent latch (fast)	$T_{PLI}$		8.0		7.0		6.0	ns
Pad to I1, I2, via transparent latch (with delay)	$T_{PDLI}$		26.0		24.0		14.0	ns
Clock (IK) to I1, I2, (flip-flop)	$T_{IKRI}$		8.0		7.0		6.0	ns
Clock (IK) to I1, I2 (latch enable active, Low)	$T_{IKLI}$		8.0		7.0		6.0	ns
Set-up Time (Note 3)								
Pad to Clock (IK), fast	$T_{PICK}$		7.0		6.0		4.0	ns
Pad to Clock (IK) with delay	$T_{PICKD}$		25.0		24.0		12.0	ns
Hold Time (Note 3)								
Pad to Clock (IK), fast	$T_{IKPI}$		1.0		1.0		1.0	ns
Pad to Clock (IK) with delay	$T_{IKPID}$		-8.0		-8.0		-8.0	ns
<b>Output</b>								
Propagation Delays								
Clock (OK) to Pad (fast)	$T_{OKPOF}$		7.5		7.0		6.5	ns
same (slew rate limited)	$T_{OKPOS}$		11.5		10.0		9.5	ns
Output (O) to Pad (fast)	$T_{OPF}$		9.0		7.0		5.5	ns
same (slew-rate limited)	$T_{OPS}$		13.0		10.0		8.5	ns
3-state to Pad begin hi-Z (fast)	$T_{TSHZF}$		9.0		7.0		6.5	ns
same (slew-rate limited)	$T_{TSHZS}$		13.0		10.0		9.5	ns
3-state to Pad active and valid (fast)	$T_{SONF}$		13.0		10.0		9.5	ns
same (slew -rate limited)	$T_{SONS}$		17.0		13.0		12.5	ns
Set-up and Hold Times								
Output (O) to clock (OK) set-up time	$T_{OOK}$		8.0		6.0		5.5	ns
Output (O) to clock (OK) hold time	$T_{OKO}$		0		0		0	ns
Clock								
Clock High or Low time	$T_{CH}/T_{CL}$		5.0		4.5		4.5	ns
Global Set/Reset*								
Delay from GSR net through Q to I1, I2	$T_{RRI}$		14.5		13.5		13.5	ns
Delay from GSR net to Pad	$T_{RPO}$		18.0		17.0		14.0	ns
GSR width	$T_{MRW}$		21.0		18.0		18.0	ns

\* Timing is based on the XC4005. For other devices see XACT timing calculator.

Notes: 1. Timing is measured at pin threshold, with 50 pF external capacitive loads (incl. test fixture). Slew rate limited output rise/fall times are approximately two times longer than fast output rise/fall times. A maximum total external capacitive load for simultaneous fast mode switching in the same direction is 200 pF per power/ground pin pair. For slew-rate limited outputs this total is two times larger. Exceeding this maximum capacitive load can result in ground bounce of >1.5 V amplitude, <5 ns duration, which might cause problems when the LCA drives clocks and other asynchronous signals.

- Voltage levels of unused (bonded and unbonded) pads must be valid logic levels. Each can be configured with the internal pull-up or pull-down resistor or alternatively configured as a driven output or be driven from an external source.
- Input pad setup times and hold times are specified with respect to the internal clock (IK). To calculate system setup time, subtract clock delay (clock pad to IK) from the specified input pad setup time value, but do not subtract below zero. Negative hold time means that the delay in the input data is adequate for the external system hold time to be zero, provided the input clock uses the Global signal distribution from pad to IK.



## CLB Switching Characteristic Guidelines

Testing of the switching parameters is modeled after testing methods specified by MIL-M-38510/605. All devices are 100% functionally tested. Since many internal timing parameters cannot be measured directly, they are derived from benchmark timing patterns. The following guidelines reflect worst-case values over the recommended operating conditions. For more detailed, more precise, and more up-to-date timing information, use the values provided by the XACT timing calculator and used in the simulator.

Description	Symbol	Speed Grade		-5		-4		Units
		-6	-6	Min	Max	Min	Max	
Combinatorial Delays								
F/G inputs to X/Y outputs	$T_{ILO}$		6.0		4.5		4.0	ns
F/G inputs via H' to X/Y outputs	$T_{IHO}$		8.0		7.0		6.0	ns
C inputs via H' to X/Y outputs	$T_{HHO}$		7.0		5.0		4.5	ns
CLB Fast Carry Logic								
Operand inputs (F1,F2,G1,G4) to Cout	$T_{OPCY}$		7.0		5.5		5.0	ns
Add/Subtract input (F3) to Cout	$T_{ASCY}$		8.0		6.0		5.5	ns
Initialization inputs (F1,F3) to Cout	$T_{INCY}$		6.0		4.0		3.5	ns
$C_{IN}$ through function generators to X/Y outputs	$T_{SUM}$		8.0		6.0		5.5	ns
$C_{IN}$ to $C_{OUT}$ , bypass function generators.	$T_{BYP}$		2.0		1.5		1.5	ns
Sequential Delays								
Clock K to outputs Q	$T_{CKO}$		5.0		3.0		3.0	ns
Set-up Time before Clock K								
F/G inputs	$T_{JCK}$		6.0		4.5		4.5	ns
F/G inputs via H'	$T_{JHCK}$		8.0		6.0		6.0	ns
C inputs via H1	$T_{HHCK}$		7.0		5.0		5.0	ns
C inputs via DIN	$T_{DICK}$		4.0		3.0		3.0	ns
C inputs via EC	$T_{ECCK}$		7.0		4.0		3.0	ns
C inputs via S/R, going Low (inactive)	$T_{RCK}$		6.0		4.5		4.0	ns
$C_{IN}$ input via F/G'	$T_{CCK}$		8.0		6.0		5.5	ns
$C_{IN}$ input via F/G' and H'	$T_{CHCK}$		10.0		7.5		7.3	ns
Hold Time after Clock K								
F/G inputs	$T_{CKI}$		0		0		0	ns
F/G inputs via H'	$T_{CKIH}$		0		0		0	ns
C inputs via H1	$T_{CKHH}$		0		0		0	ns
C inputs via DIN	$T_{CKDI}$		0		0		0	ns
C inputs via EC	$T_{CKEC}$		0		0		0	ns
C inputs via S/R, going Low (inactive)	$T_{CKR}$		0		0		0	ns
Clock								
Clock High time	$T_{CH}$		5.0		4.5		4.5	ns
Clock Low time	$T_{CL}$		5.0		4.5		4.5	ns
Set/Reset Direct								
Width (High)	$T_{RPW}$		5.0		4.0		4.0	ns
Delay from C to Q	$T_{RIO}$		9.0		8.0		7.0	ns
Master Set/Reset*								
Width (High or Low)	$T_{MRW}$		21.0		18.0		18.0	ns
Delay from Global Set/Reset net to Q	$T_{MRQ}$		33.0		31.0		28.0	ns

\* Timing is based on the XC4005. For other devices see XACT timing calculator.

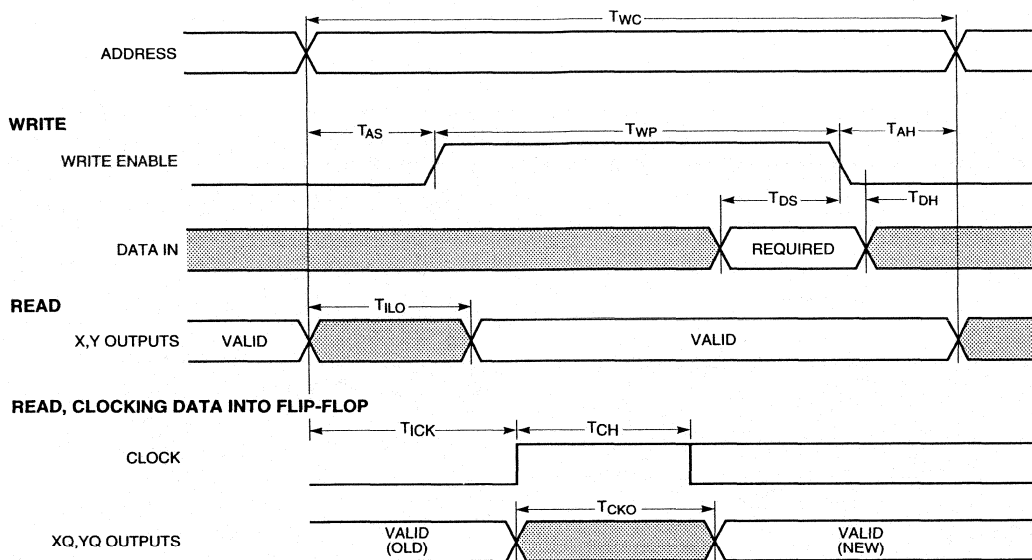
## CLB Switching Characteristic Guidelines (continued)

Testing of the switching parameters is modeled after testing methods specified by MIL-M-38510/605. All devices are 100% functionally tested. Since many internal timing parameters cannot be measured directly, they are derived from benchmark timing patterns. The following guidelines reflect worst-case values over the recommended operating conditions. For more detailed, more precise, and more up-to-date timing information, use the values provided by the XACT timing calculator and used in the simulator.

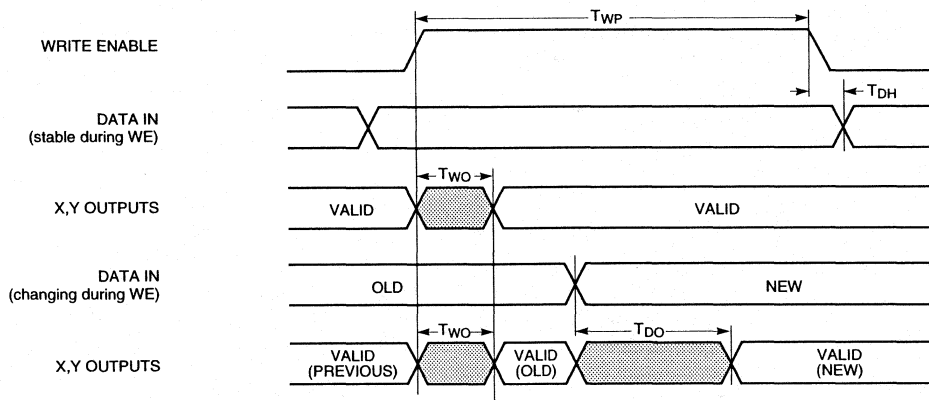
CLB RAM Option	Speed Grade		-6		-5		-4		Units
			Min	Max	Min	Max	Min	Max	
Description	Symbol		Min	Max	Min	Max	Min	Max	Units
<b>Write Operation</b>									
Address write cycle time	16 x 2	$T_{WC}$	9.0		8.0		8.0		ns
	32 x 1	$T_{WCT}$	9.0		8.0		8.0		ns
Write Enable pulse width (High)	16 x 2	$T_{WP}$	5.0		4.0		4.0		ns
	32 x 1	$T_{WPT}$	5.0		4.0		4.0		ns
Address set-up time before beginning of WE	16 x 2	$T_{AS}$	2.0		2.0		2.0		ns
	32 x 1	$T_{AST}$	2.0		2.0		2.0		ns
Address hold time after end of WE	16 x 2	$T_{AH}$	2.0		2.0		2.0		ns
	32 x 1	$T_{AHT}$	2.0		2.0		2.0		ns
DIN set-up time before end of WE	16 x 2	$T_{DS}$	4.0		4.0		4.0		ns
	32 x 1	$T_{DST}$	5.0		5.0		5.0		ns
DIN hold time after end of WE	both	$T_{DHT}$	2.0		2.0		2.0		ns
<b>Read Operation</b>									
Address read cycle time	16 x 2	$T_{RC}$	7.0		5.5		5.0		ns
	32 x 1	$T_{RCT}$	10.0		7.5		7.0		ns
Data valid after address change (no Write Enable)	16 x 2	$T_{ILO}$		6.0		4.5		4.0	ns
	32 x 1	$T_{IHO}$		8.0		7.0		6.0	ns
<b>Read Operation, Clocking Data into Flip-Flop</b>									
Address setup time before clock K	16 x 2	$T_{ICK}$	6.0		4.5		4.5		ns
	32 x 1	$T_{IHCK}$	8.0		6.0		6.0		ns
<b>Read During Write</b>									
Data valid after WE going active (DIN stable before WE)	16 x 2	$T_{WO}$		12.0		10.0		9.0	ns
	32 x 1	$T_{WOT}$		15.0		12.0		11.0	ns
Data valid after DIN (DIN change during WE)	16 x 2	$T_{DO}$		11.0		9.0		9.0	ns
	32 x 1	$T_{DOT}$		14.0		11.0		11.0	ns
<b>Read During Write, Clocking Data into Flip-Flop</b>									
WE setup time before clock K	16 x 2	$T_{WCK}$	12.0		10.0		9.5		ns
	32 x 1	$T_{WCKT}$	15.0		12.0		11.5		ns
Data setup time before clock K	16 x 2	$T_{DCK}$	11.0		9.0		9.0		ns
	32 x 1	$T_{DCKT}$	14.0		11.0		11.0		ns

Note: Timing for the 16 x 1 RAM option is identical to 16 x 2 RAM timing

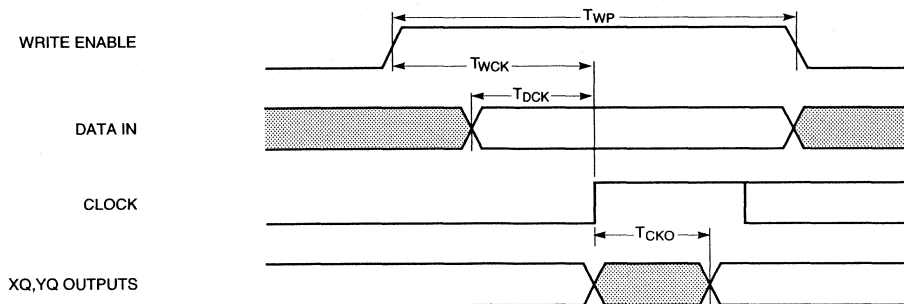
## CLB RAM Timing Characteristics

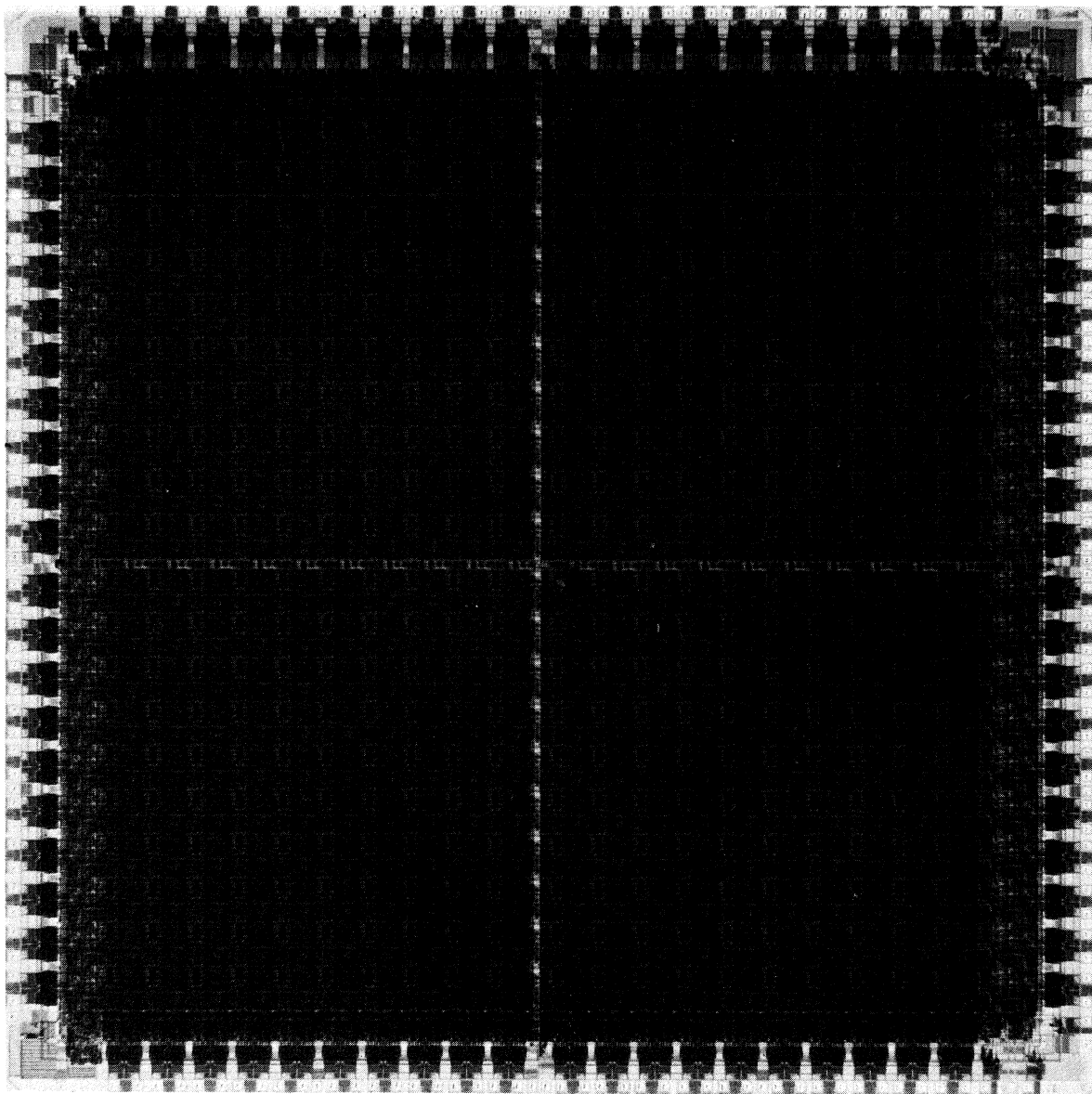


### READ DURING WRITE



### READ DURING WRITE, CLOCKING DATA INTO FLIP-FLOP





The Xilinx XC4010™

### XC4005 Pinouts

Pin Description	PC84	PQ160	PQ208	PG156	Bound Scan
VCC	2	142	183	H3	--
I/O (A8)	3	143	184	H1	44
I/O (A9)	4	144	185	G1	47
I/O	--	145	186	G2	50
I/O	--	146	187	G3	53
--	--	--	188*	--	--
--	--	--	189*	--	--
I/O (A10)	5	147	190	F1	56
I/O (A11)	6	148	191	F2	59
I/O	--	149	192	E1	62
I/O	--	150	193	E2	65
GND	--	151	194	F3	--
--	--	--	195*	--	--
--	--	--	196*	--	--
--	--	152*	197*	D1*	--
--	--	153*	198*	D2*	--
I/O (A12)	7	154	199	E3	68
I/O (A13)	8	155	200	C1	71
--	--	--	201	--	--
I/O	--	156	201	C2	74
I/O	--	157	202	D3	77
I/O (A14)	9	158	203	B1	80
SGCK1 (A15, I/O)	10	159	204	B2	83
VCC	11	160	205	C3	--
--	--	--	206*	--	--
--	--	--	207*	--	--
--	--	--	208*	--	--
--	--	--	1*	--	--
GND	12	1	2	C4	--
--	--	--	3*	--	--
PGCK1 (A16, I/O)	13	2	4	B3	86
I/O (A17)	14	3	5	A1	89
I/O	--	4	6	A2	92
I/O	--	5	7	C5	95
--	--	--	--	--	--
I/O (TDI)	15	6	8	B4	98
I/O (TCK)	16	7	9	A3	101
--	--	8*	10*	A4*	--
--	--	9*	11*	--	--
--	--	--	12*	--	--
--	--	--	13*	--	--
GND	--	10	14	C6	--
I/O	--	11	15	B5	104
I/O	--	12	16	B6	107
I/O (TMS)	17	13	17	A5	110
I/O	18	14	18	C7	113
--	--	--	19*	--	--
--	--	--	20*	--	--
I/O	--	15	21	B7	116
I/O	--	16	22	A6	119
I/O	19	17	23	A7	122
I/O	20	18	24	A8	125
GND	21	19	25	C8	--
VCC	22	20	26	B8	--
I/O	23	21	27	C9	128
I/O	24	22	28	B9	131
I/O	--	23	29	A9	134
I/O	--	24	30	B10	137
--	--	--	31*	--	--
--	--	--	32*	--	--
I/O	25	25	33	C10	140
I/O	26	26	34	A10	143
I/O	--	27	35	A11	146
I/O	--	28	36	B11	149
GND	--	29	37	C11	--
--	--	--	38*	--	--
--	--	--	39*	--	--
--	--	30*	40*	A12*	--
--	--	31*	41*	--	--
I/O	27	32	42	B12	152
I/O	--	33	43	A13	155
I/O	--	34	44	A14	158

Pin Description	PC84	PQ160	PQ208	PG156	Bound Scan
I/O	--	35	45	C12	161
--	--	--	--	--	--
I/O	28	36	46	B13	164
SGCK2 (I/O)	29	37	47	B14	167
M1	30	38	48	A15	170*
GND	31	39	49	C13	--
M0	32	40	50	A16	173†
--	--	--	51*	--	--
--	--	--	52*	--	--
--	--	--	53*	--	--
--	--	--	54*	--	--
VCC	33	41	55	C14	--
M2	34	42	56	B15	174†
PGCK2 (I/O)	35	43	57	B16	175
I/O (HDC)	36	44	58	D14	178
I/O	--	45	59	C15	181
--	--	--	--	--	--
I/O	--	46	60	D15	184
I/O	--	47	61	E14	187
I/O (LDC)	37	48	62	C16	190
--	--	49*	63*	E15*	--
--	--	50*	64*	D16*	--
--	--	--	65*	--	--
--	--	--	66*	--	--
GND	--	51	67	F14	--
I/O	--	52	68	F15	193
I/O	--	53	69	E16	196
I/O	38	54	70	F16	199
I/O	39	55	71	G14	202
--	--	--	72*	--	--
--	--	--	73*	--	--
I/O	--	56	74	G15	205
I/O	--	57	75	G16	208
I/O	40	58	76	H16	211
I/O (ERR, INIT)	41	59	77	H15	214
VCC	42	60	78	H14	--
GND	43	61	79	J14	--
I/O	44	62	80	J15	217
I/O	45	63	81	J16	220
I/O	--	64	82	K16	223
I/O	--	65	83	K15	226
--	--	--	84*	--	--
--	--	--	85*	--	--
I/O	46	66	86	K14	229
I/O	47	67	87	L16	232
I/O	--	68	88	M16	235
I/O	--	69	89	L15	238
GND	--	70	90	L14	--
--	--	--	91*	--	--
--	--	--	92*	--	--
--	--	--	93*	N16*	--
--	--	--	94*	M15*	--
I/O	48	73	95	P16	241
I/O	49	74	96	M14	244
I/O	--	75	97	N15	247
I/O	--	76	98	P15	250
I/O	50	77	99	N14	253
SGCK3 (I/O)	51	78	100	R16	256
GND	52	79	101	P14	--
--	--	--	102*	--	--
DONE	53	80	103	R15	--
--	--	--	104*	--	--
--	--	--	105*	--	--
VCC	54	81	106	P13	--
--	--	--	107*	--	--
PROG	55	82	108	R14	--
I/O (D7)	56	83	109	T16	259
PGCK3 (I/O)	57	84	110	T15	262
I/O	--	85	111	R13	265
--	--	--	--	--	--
I/O	--	86	112	P12	268
I/O (D6)	58	87	113	T14	271

Pin Description	PC84	PQ160	PQ208	PG156	Bound Scan
I/O	--	88	114	T13	274
--	--	89*	115*	R12*	--
--	--	89*	115*	R12*	--
--	--	90*	116*	T12*	--
--	--	--	117*	--	--
--	--	--	118*	--	--
GND	--	91	119	P11	--
I/O	--	92	120	R11	277
I/O	--	93	121	T11	280
I/O (D5)	59	94	122	T10	283
I/O (CS0)	60	95	123	P10	286
--	--	--	124*	--	--
--	--	--	125*	--	--
I/O	--	96	126	R10	289
I/O	--	97	127	T9	292
I/O (D4)	61	98	128	R9	295
I/O	62	99	129	P9	298
VCC	63	100	130	R8	--
GND	64	101	131	P8	--
I/O (D3)	65	102	132	T8	301
I/O (R5)	66	103	133	T7	304
I/O	--	104	134	T6	307
I/O	--	105	135	R7	310
--	--	--	136*	--	--
--	--	--	137*	--	--
I/O (D2)	67	106	138	P7	313
I/O	68	107	139	T5	316
I/O	--	108	140	R6	319
I/O	--	109	141	T4	322
GND	--	110	142	P6	--
--	--	--	143*	--	--
--	--	--	144*	--	--
--	--	--	111*	145*	R5*
--	--	--	112*	146*	--
I/O (D1)	69	113	147	T3	325
I/O (RCLK-BUSY/RDY)	70	114	148	P5	328
I/O	--	115	149	R4	331
--	--	--	--	--	--
I/O	--	116	150	R3	334
I/O (D0, DIN)	71	117	151	P4	337
SGCK4 (DOUT, I/O)	72	118	152	T2	340
CCLK	73	119	153	R2	--
VCC	74	120	154	P3	--
--	--	--	155*	--	--
--	--	--	156*	--	--
--	--	--	157*	--	--
--	--	--	158*	--	--
TDO	75	121	159	T1	--
GND	76	122	160	N3	--
I/O (A0, WS)	77	123	161	R1	2
PGCK4 (A1, I/O)	78	124	162	P2	5
I/O	--	125	163	N2	8
--	--	--	--	--	--
I/O	--	126	164	M3	11
I/O (CS1, A2)	79	127	165	P1	14
I/O (A3)	80	128	166	N1	17
--	--	129*	167*	M2*	--
--	--	130*	168*	M1*	--
--	--	--	169*	--	--
--	--	--	170*	--	--
GND	--	131	171	L3	--
I/O	--	132	172	L2	20
--	--	133	173	L1	23
I/O (A4)	81	134	174	K3	26
I/O (A5)	82	135	175	K2	29
--	--	--	176*	--	--
--	--	--	136*	177*	--
I/O	--	137	178	K1	32
I/O	--	138	179	J1	35
I/O (A6)	83	139	180	J2	38
I/O (A7)	84	140	181	J3	41
GND	1	141	182	H2	--

\* Indicates unconnected package pins.

† Contributes only one bit (.i) to the boundary scan register.

Boundary Scan Bit 0 = TDO.T

Boundary Scan Bit 1 = TDO.O

Boundary Scan Bit 343 = BSCANT.UPD

## XC4006 Pinouts

Pin Description	PG156	PQ160	PQ208	Bound Scan
VCC	H3	142	183	-
I/O (A8)	H1	143	184	50
I/O (A9)	G1	144	185	53
I/O	G2	145	186	56
I/O	G3	146	187	59
-	-	-	188*	-
-	-	-	189*	-
I/O (A10)	F1	147	190	62
I/O (A11)	F2	148	191	65
I/O	E1	149	192	68
I/O	E2	150	193	72
GND	F3	151	194	-
-	-	-	195*	-
-	-	-	196*	-
I/O	D1	152	197	74
I/O	D2	153	198	77
I/O (A12)	E3	154	199	80
I/O (A13)	C1	155	200	83
I/O	C2	156	201	86
I/O	D3	157	202	89
I/O (A14)	B1	158	203	92
SGCK1 (A15, I/O)	B2	159	204	95
VCC	C3	160	205	-
-	-	-	206*	-
-	-	-	207*	-
-	-	-	208*	-
-	-	-	1*	-
GND	C4	1	2	-
-	-	-	3*	-
PGCK1 (A16, I/O)	B3	2	4	98
I/O (A17)	A1	3	5	101
I/O	A2	4	6	104
I/O	C5	5	7	107
I/O (TDI)	B4	6	8	110
I/O (TCK)	A3	7	9	113
I/O	A4	8	10	116
I/O	-	9	11	119
-	-	-	12*	-
-	-	-	13*	-
GND	C6	10	14	-
I/O	B5	11	15	122
I/O	B6	12	16	125
I/O (TMS)	A5	13	17	128
I/O	C7	14	18	131
-	-	-	19*	-
-	-	-	20*	-
I/O	B7	15	21	136
I/O	A6	16	22	137
I/O	A7	17	23	140
I/O	A8	18	24	143
GND	C8	19	25	-
VCC	B8	20	26	-

Pin Description	PG156	PQ160	PQ208	Bound Scan
I/O	C9	21	27	146
I/O	B9	22	28	149
I/O	A9	23	29	152
I/O	B10	24	30	155
-	-	-	31*	-
-	-	-	32*	-
I/O	C10	25	33	158
I/O	A10	26	34	161
I/O	A11	27	35	164
I/O	B11	28	36	167
GND	C11	29	37	-
-	-	-	38*	-
-	-	-	39*	-
I/O	A12	30	40	170
I/O	-	31	41	173
I/O	B12	32	42	176
I/O	A13	33	43	179
I/O	A14	34	44	182
I/O	C12	35	45	185
I/O	B13	36	46	188
SGCK2 (I/O)	B14	37	47	191
M1	A15	38	48	194
GND	C13	39	49	-
M0	A16	40	50	197†
-	-	-	51*	-
-	-	-	52*	-
-	-	-	53*	-
-	-	-	54*	-
VCC	C14	41	55	-
M2	B15	42	56	198†
PGCK2 (I/O)	B16	43	57	199
I/O (HDC)	D14	44	58	202
I/O	C15	45	59	205
I/O	D15	46	60	208
I/O	E14	47	61	211
I/O (LDC)	C16	48	62	214
I/O	E15	49	63	217
I/O	D16	50	64	220
-	-	-	65*	-
-	-	-	66*	-
GND	F14	51	67	-
I/O	F15	52	68	223
I/O	E16	53	69	226
I/O	F16	54	70	229
I/O	G14	55	71	232
-	-	-	72*	-
-	-	-	73*	-
I/O	G15	56	74	235
I/O	G16	57	75	238
I/O	H16	58	76	241
I/O (ERR, IINIT)	H15	59	77	244
VCC	H14	60	78	-

\* Indicates unconnected package pins.

† Contributes only one bit (.i) to the boundary scan register.

### XC4006 Pinouts (continued)

Pin Description	PG156	PQ160	PQ208	Bound Scan
GND	J14	61	79	-
I/O	J15	62	80	247
I/O	J16	63	81	250
I/O	K16	64	82	253
I/O	K15	65	83	256
-	-	-	84*	-
-	-	-	85*	-
I/O	K14	66	86	259
I/O	L16	67	87	262
I/O	M16	68	88	265
I/O	L15	69	89	268
GND	L14	70	90	-
-	-	-	91*	-
-	-	-	92*	-
I/O	N16	71	93	271
I/O	M15	72	94	274
I/O	P16	73	95	277
I/O	M14	74	96	280
I/O	N15	75	97	283
I/O	P15	76	98	286
I/O	N14	77	99	289
SGCK3 (I/O)	R16	78	100	292
GND	P14	79	101	-
-	-	-	102*	-
DONE	R15	80	103	-
-	-	-	104*	-
-	-	-	105*	-
VCC	P13	81	106	-
-	-	-	107*	-
PROG	R14	82	108	-
I/O (D7)	T16	83	109	295
PGCK3 (I/O)	T15	84	110	298
I/O	R13	85	111	301
I/O	P12	86	112	304
I/O (D6)	T14	87	113	307
I/O	T13	88	114	310
I/O	R12	89	115	313
I/O	T12	90	116	316
-	-	-	117*	-
-	-	-	118*	-
GND	P11	91	119	-
I/O	R11	92	120	319
I/O	T11	93	121	323
I/O (D5)	T10	94	122	325
I/O (CS0)	P10	95	123	328
-	-	-	124*	-
-	-	-	125*	-
I/O	R10	96	126	331
I/O	T9	97	127	334
I/O (D4)	R9	98	128	337
I/O	P9	99	129	340
VCC	R8	100	130	-

Pin Description	PG156	PQ160	PQ208	Bound Scan
GND	P8	101	131	-
I/O (D3)	T8	102	132	343
I/O (RS)	T7	103	133	346
I/O	T6	104	134	349
I/O	R7	105	135	352
-	-	-	136*	-
-	-	-	137*	-
I/O (D2)	P7	106	138	355
I/O	T5	107	139	358
I/O	R6	108	140	361
I/O	T4	109	141	364
GND	P6	110	142	-
-	-	-	143*	-
-	-	-	144*	-
I/O	R5	111	145	367
I/O	-	112	146	370
I/O (D1)	T3	113	147	373
I/O (RCLK-BUSY/RDY)	P5	114	148	376
I/O	R4	115	149	379
I/O	R3	116	150	382
I/O (D0, DIN)	P4	117	151	385
SGCK4 (DOUT, I/O)	T2	118	152	388
CCLK	R2	119	153	-
VCC	P3	120	154	-
-	-	-	155*	-
-	-	-	156*	-
-	-	-	157*	-
-	-	-	158*	-
TDO	T1	121	159	-
GND	N3	122	160	-
I/O (A0, WS)	R1	123	161	2
PGCK4 (I/O, A1)	P2	124	162	5
I/O	N2	125	163	8
I/O	M3	126	164	11
I/O (CS1,A2)	P1	127	165	14
I/O (A3)	N1	128	166	17
I/O	M2	129	167	20
I/O	M1	130	168	23
-	-	-	169*	-
-	-	-	170*	-
GND	L3	131	171	-
I/O	L2	132	172	26
I/O	L1	133	173	29
I/O (A4)	K3	134	174	32
I/O (A5)	K2	135	175	35
-	-	-	176*	-
-	-	-	177*	-
I/O	K1	137	178	38
I/O	J1	138	179	41
I/O (A6)	J2	139	180	44
I/O (A7)	J3	140	181	47
GND	H2	141	182	-

\* Indicates unconnected package pins.  
Boundary Scan Bit 0 = TDO.T  
Boundary Scan Bit 1 = TDO.O  
Boundary Scan Bit 391 = BSCANT.UPD

XC4008 Pinouts

Pin Description	PG191	PQ208	Bound Scan
VCC	J4	183	-
I/O (A8)	J3	184	56
I/O (A9)	J2	185	59
I/O	J1	186	62
I/O	H1	187	65
I/O	H2	188	68
I/O	H3	189	71
I/O (A10)	G1	190	74
I/O (A11)	G2	191	77
I/O	F1	192	80
I/O	E1	193	83
GND	G3	194	-
-	F2*	195*	-
-	D1*	196*	-
I/O	C1	197	86
I/O	E2	198	89
I/O (A12)	F3	199	92
I/O (A13)	D2	200	95
I/O	B1	201	98
-	-	-	-
I/O	E3	202	101
I/O (A14)	C2	203	104
SGCK1 (A15, I/O)	B2	204	107
VCC	D3	205	-
-	-	206*	-
-	-	207*	-
-	-	208*	-
-	-	1*	-
GND	D4	2	-
-	-	3*	-
PGCK1 (A16, I/O)	C3	4	110
I/O (A17)	C4	5	113
I/O	B3	6	116
-	-	-	-
I/O	C5	7	119
I/O (TDI)	A2	8	122
I/O (TCK)	B4	9	125
I/O	C6	10	128
I/O	A3	11	131
-	B5*	12*	-
-	B6*	13*	-
GND	C7	14	-
I/O	A4	15	134
I/O	A5	16	137
I/O (TMS)	B7	17	140
I/O	A6	18	143
I/O	C8	19	146
I/O	A7	20	149
I/O	B8	21	152
I/O	A8	22	155
I/O	B9	23	158
I/O	C9	24	161
GND	D9	25	-

Pin Description	PG191	PQ208	Bound Scan
VCC	D10	26	-
I/O	C10	27	164
I/O	B10	28	167
I/O	A9	29	170
I/O	A10	30	173
I/O	A11	31	176
I/O	C11	32	179
I/O	B11	33	182
I/O	A12	34	185
I/O	B12	35	188
I/O	A13	36	191
GND	C12	37	-
-	B13*	38*	-
-	A14*	39*	-
I/O	A15	40	194
I/O	C13	41	197
I/O	B14	42	200
I/O	A16	43	203
I/O	B15	44	206
I/O	C14	45	209
I/O	A17	46	212
SGCK2 (I/O)	B16	47	215
M1	C15	48	218
GND	D15	49	-
M0	A18	50	221†
-	-	51*	-
-	-	52*	-
-	-	53*	-
-	-	54*	-
VCC	D16	55	-
M2	C16	56	222†
PGCK2 (I/O)	B17	57	223
I/O (HDC)	E16	58	226
-	-	-	-
I/O	C17	59	229
I/O	D17	60	232
I/O	B18	61	235
I/O (LDC)	E17	62	238
I/O	F16	63	241
I/O	C18	64	244
-	D18*	65*	-
-	F17*	66*	-
GND	G16	67	-
I/O	E18	68	247
I/O	F18	69	250
I/O	G17	70	253
I/O	G18	71	256
I/O	H16	72	259
I/O	H17	73	262
I/O	H18	74	265
I/O	J18	75	268
I/O	J17	76	271
I/O (ERR, INIT)	J16	77	272
VCC	J15	78	-

Pin Description	PG191	PQ208	Bound Scan
GND	K15	79	-
I/O	K16	80	277
I/O	K17	81	280
I/O	K18	82	283
I/O	L18	83	286
I/O	L17	84	289
I/O	L16	85	292
I/O	M18	86	295
I/O	M17	87	298
I/O	N18	88	301
I/O	P18	89	304
GND	M16	90	-
-	N17*	91*	-
-	R18*	92*	-
I/O	T18	93	307
I/O	P17	94	310
I/O	N16	95	313
I/O	T17	96	316
I/O	R17	97	319
I/O	P16	98	322
I/O	U18	99	325
SGCK3 (I/O)	T16	100	328
GND	R16	101	-
-	-	102*	-
DONE	U17	103	-
-	-	104*	-
-	-	105*	-
VCC	R15	106	-
-	-	107*	-
PROG	V18	108	-
I/O (D7)	T15	109	331
PGCK3 (I/O)	U16	110	334
-	-	-	-
I/O	T14	111	337
I/O	U15	112	340
I/O (D6)	V17	113	343
I/O	V16	114	346
I/O	T13	115	349
I/O	U14	116	352
-	V15*	117*	-
-	V14*	118*	-
GND	T12	119	-
I/O	U13	120	355
I/O	V13	121	358
I/O (D5)	U12	122	361
I/O (CS0)	V12	123	364
I/O	T11	124	367
I/O	U11	125	370
I/O	V11	126	373
I/O	V10	127	376
I/O (D4)	U10	128	379
I/O	T10	129	382
VCC	R10	130	-
GND	R9	131	-

Pin Description	PG191	PQ208	Bound Scan
I/O (D3)	T9	132	385
I/O (RS)	U9	133	388
I/O	V9	134	391
I/O	V8	135	394
I/O	U8	136	397
I/O	T8	137	400
I/O (D2)	V7	138	403
I/O	U7	139	406
I/O	V6	140	409
I/O	U6	141	412
GND	T7	142	-
-	V5*	143*	-
-	V4*	144*	-
I/O	U5	145	415
I/O	T6	146	418
I/O (D1)	V3	147	421
I/O (RCLK-BUSY/RDY)	V2	148	426
I/O	U4	149	427
I/O	T5	150	430
I/O (D0, DIN)	U3	151	433
SGCK4 (DOUT, I/O)	T4	152	436
CCLK	V1	153	-
VCC	R4	154	-
-	-	155*	-
-	-	156*	-
-	-	157*	-
-	-	158*	-
TDO	U2	159	-
GND	R3	160	-
I/O (A0, WS)	T3	161	2
PGCK4 (I/O, A1)	U1	162	5
-	-	-	-
I/O	P3	163	8
I/O	R2	164	11
I/O (CS1, A2)	T2	165	14
I/O (A3)	N3	166	17
I/O	P2	167	20
I/O	T1	168	23
-	R1*	169*	-
-	N2*	170*	-
GND	M3	171	-
I/O	P1	172	26
I/O	N1	173	29
I/O (A4)	M2	174	32
I/O (A5)	M1	175	35
I/O	L3	176	38
I/O	L2	177	41
I/O	L1	178	44
I/O	K1	179	47
I/O (A6)	K2	180	50
I/O (A7)	K3	181	53
GND	K4	182	-

\* Indicates unconnected package pins.

† Contributes only one bit (i) to the boundary scan register.

Boundary Scan Bit 0 = TDO.T

Boundary Scan Bit 1 = TDO.O

Boundary Scan Bit 439 = BSCANT.UPD



## XC4010 Pinouts

Pin Description	PG191	PQ208	Bound Scan	Pin Description	PG191	PQ208	Bound Scan	Pin Description	PG191	PQ208	Bound Scan	Pin Description	PG191	PQ208	Bound Scan	
VCC	J4	183	-	I/O	C10	27	182	GND	K15	79	-	GND	R9	131	-	
I/O (A8)	J3	184	62	I/O	B10	28	185	I/O	K16	80	307	I/O (D3)	T9	132	427	
I/O (A9)	J2	185	65	I/O	A9	29	188	I/O	K17	81	310	I/O (RS)	U9	133	430	
I/O	J1	186	68	I/O	A10	30	191	I/O	K18	82	313	I/O	V9	134	433	
I/O	H1	187	71	I/O	A11	31	194	I/O	L18	83	316	I/O	V8	135	436	
I/O	H2	188	74	I/O	C11	32	197	I/O	L17	84	319	I/O	U8	136	439	
I/O	H3	189	77	I/O	B11	33	200	I/O	L16	85	322	I/O	T8	137	442	
I/O (A10)	G1	190	80	I/O	A12	34	203	I/O	M18	86	325	I/O (D2)	V7	138	445	
I/O (A11)	G2	191	83	I/O	B12	35	206	I/O	M17	87	328	I/O	V7	139	448	
I/O	F1	192	86	I/O	A13	36	209	I/O	N18	88	331	I/O	U6	140	451	
I/O	E1	193	89	I/O	B13	37	-	I/O	P18	89	334	I/O	U6	141	454	
GND	G3	194	-	GND	C12	37	-	GND	M16	90	-	GND	T7	142	-	
I/O	F2	195	92	I/O	B13	38	212	I/O	N17	91	337	I/O	V5	143	457	
I/O	D1	196	95	I/O	A14	39	215	I/O	R18	92	340	I/O	V4	144	460	
I/O	C1	197	98	I/O	A15	40	218	I/O	T18	93	343	I/O	U5	145	463	
I/O	E2	198	101	I/O	C13	41	221	I/O	P17	94	346	I/O	T6	146	466	
I/O (A12)	F3	199	104	I/O	B14	42	224	I/O	N16	95	349	I/O (D1)	V3	147	469	
I/O (A13)	D2	200	107	I/O	A16	43	227	I/O	T17	96	352	I/O (RCLK-BUSY/RDY)	V2	148	472	
I/O	B1	201	110	I/O	B15	44	230	I/O	R17	97	355	I/O	U4	149	475	
-	-	-	-	I/O	C14	45	233	I/O	P16	98	358	I/O	T5	150	478	
I/O	E3	202	113	I/O	A17	46	236	I/O	U18	99	361	I/O (D0, DIN)	U3	151	481	
I/O (A14)	C2	203	116	SGCK2 (I/O)	B16	47	239	SGCK3 (I/O)	T16	100	364	SGCK4 (DOUT, I/O)	T4	152	484	
SGCK1 (A15, I/O)	B2	204	119	M1	C15	48	242	GND	R16	101	-	CCLK	V1	153	-	
VCC	D3	205	-	GND	D15	49	-	-	-	102*	-	VCC	R4	154	-	
-	-	206*	-	M0	A18	50	245†	-	DONE	U17	103	-	-	-	155*	-
-	-	207*	-	-	-	51*	-	-	-	104*	-	-	-	-	156*	-
-	-	208*	-	-	-	52*	-	-	-	105*	-	-	-	-	157*	-
-	-	1*	-	-	-	53*	-	-	-	106	-	-	-	-	158*	-
GND	D4	2	-	-	-	54*	-	VCC	R15	106	-	-	TDO	U2	159	-
-	-	3*	-	VCC	D16	55	-	-	-	107*	-	GND	R3	160	-	
PGCK1 (A16, I/O)	C3	4	122	M2	C16	56	246†	PROG	V18	108	-	I/O (A0, WS)	T3	161	2	
I/O (A17)	C4	5	125	PGCK2 (I/O)	B17	57	247	I/O (D7)	T15	109	367	PGCK4 (I/O, A1)	U1	162	5	
I/O	B3	6	128	I/O (HDC)	E16	58	250	PGCK3 (I/O)	U16	110	370	-	-	-	-	
-	-	-	-	-	-	-	-	-	-	-	-	I/O	P3	163	8	
I/O	C5	7	131	I/O	C17	59	253	I/O	T14	111	373	I/O	R2	164	11	
I/O (TDI)	A2	8	134	I/O	D17	60	256	I/O (D6)	V17	113	379	I/O (CS1, A2)	T2	165	14	
I/O (TCK)	B4	9	137	I/O	B18	61	259	I/O	V16	114	382	I/O (A3)	N3	166	17	
I/O	C6	10	140	I/O (LDC)	E17	62	262	I/O	T13	115	385	I/O	P2	167	20	
I/O	A3	11	143	I/O	F16	63	265	I/O	U14	116	388	I/O	T1	168	23	
I/O	B5	12	146	I/O	C18	64	268	I/O	V15	117	391	I/O	R1	169	26	
I/O	B6	13	149	I/O	D18	65	271	I/O	V14	118	394	I/O	N2	170	29	
GND	C7	14	-	I/O	F17	66	274	GND	T12	119	-	GND	M3	171	-	
I/O	A4	15	152	I/O	G16	67	-	I/O	U13	120	397	I/O	P1	172	32	
I/O	A5	16	155	I/O	E18	68	277	I/O	V13	121	400	I/O	N1	173	35	
I/O (TMS)	B7	17	158	I/O	F18	69	280	I/O (D5)	U12	122	403	I/O (A4)	M2	174	38	
I/O	A6	18	161	I/O	G17	70	283	I/O (CS0)	V12	123	406	I/O (A5)	M1	175	41	
I/O	C8	19	164	I/O	G18	71	286	I/O	T11	124	409	I/O	L3	176	44	
I/O	A7	20	167	I/O	H16	72	289	I/O	U11	125	412	I/O	L2	177	47	
I/O	B8	21	170	I/O	C19	73	292	I/O	V11	126	415	I/O	L1	178	50	
I/O	A8	22	173	I/O	H17	73	292	I/O	V10	127	418	I/O	K1	179	53	
I/O	B9	23	176	I/O	H18	74	295	I/O (D4)	U10	128	421	I/O (A6)	K2	180	56	
I/O	C9	24	179	I/O	J18	75	298	I/O	T10	129	424	I/O (A7)	K3	181	59	
GND	D9	25	-	I/O	J17	76	301	VCC	R10	130	-	GND	K4	182	-	
VCC	D10	26	-	I/O (ERR, INIT)	J16	77	304									
				VCC	J15	78	-									

\* Indicates unconnected package pins.

† Contributes only one bit (.) to the boundary scan register.

Boundary Scan Bit 0 = TDO.T

Boundary Scan Bit 1 = TDO.O

Boundary Scan Bit 487 = BSCANT.UPD

## XC4013 Pinouts

Pin Description	MQ208	PG223	MQ240	Bound Scan
VCC	183	J4	212	-
I/O (A8)	184	J3	213	74
I/O (A9)	185	J2	214	77
I/O	186	J1	215	80
I/O	187	H1	216	83
I/O	188	H2	217	86
I/O	189	H3	218	89
-	-	-	219†	-
I/O (A10)	190	G1	220	92
I/O (A11)	191	G2	221	95
VCC	-	-	222	-
I/O	-	H4	223	98
I/O	-	G4	224	101
I/O	192	F1	225	104
I/O	193	E1	226	107
GND	194	G3	227	-
I/O	195	F2	228	110
I/O	196	D1	229	113
I/O	197	C1	230	116
I/O	198	E2	231	119
I/O (A12)	199	F3	232	122
I/O (A13)	200	D2	233	125
I/O	-	F4	234	128
I/O	-	E4	235	131
I/O	201	B1	236	134
I/O	202	E3	237	137
I/O (A14)	203	C2	238	140
SGCK1 (A15, I/O)	204	B2	239	143
VCC	205	D3	240	-
-	206*	-	-	-
-	207*	-	-	-
-	208*	-	-	-
-	1*	-	-	-
GND	2	D4	1	-
-	3*	-	-	-
PGCK1 (A16, I/O)	4	C3	2	146
I/O (A17)	5	C4	3	149
I/O	6	B3	4	152
I/O	7	C5	5	155
I/O (TDI)	8	A2	6	158
I/O (TCK)	9	B4	7	161
I/O	10	C6	8	164
I/O	11	A3	9	167
I/O	12	B5	10	170
I/O	13	B6	11	173
I/O	-	D5	12	176
I/O	-	D6	13	179
GND	14	C7	14	-
I/O	15	A4	15	182
I/O	16	A5	16	185
I/O (TMS)	17	B7	17	188
I/O	18	A6	18	191
VCC	-	-	19	-
I/O	-	D7	20	194
I/O	-	D8	21	197
-	-	-	22*	-
I/O	19	C8	23	200
I/O	20	A7	24	203
I/O	21	B8	25	206
I/O	22	A8	26	209
I/O	23	B9	27	212
I/O	24	C9	28	215
GND	25	D9	29	-
VCC	26	D10	30	-

Pin Description	MQ208	PG223	MQ240	Bound Scan
I/O	27	C10	31	218
I/O	28	B10	32	221
I/O	29	A9	33	224
I/O	30	A10	34	227
I/O	31	A11	35	230
I/O	32	C11	36	233
-	-	-	37*	-
I/O	-	D11	38	236
I/O	-	D12	39	239
VCC	-	-	40	-
I/O	33	B11	41	242
I/O	34	A12	42	245
I/O	35	B12	43	248
I/O	36	A13	44	251
GND	37	C12	45	-
I/O	-	D13	46	254
I/O	-	D14	47	257
I/O	38	B13	48	260
I/O	39	A14	49	263
I/O	40	A15	50	266
I/O	41	C13	51	269
I/O	42	B14	52	272
I/O	43	A16	53	275
I/O	44	B15	54	278
I/O	45	C14	55	281
I/O	46	A17	56	284
SGCK2 (I/O)	47	B16	57	287
M1	48	C15	58	290
GND	49	D15	59	-
M0	50	A18	60	293†
-	51*	-	-	-
-	52*	-	-	-
-	53*	-	-	-
-	54*	-	-	-
VCC	55	D16	61	-
M2	56	C16	62	294†
PGCK2 (I/O)	57	B17	63	295
I/O (HDC)	58	E16	64	298
I/O	59	C17	65	301
I/O	60	D17	66	304
I/O	61	B18	67	307
I/O (LDC)	62	E17	68	310
I/O	63	F16	69	313
I/O	64	C18	70	316
I/O	65	D18	71	319
I/O	66	F17	72	322
I/O	-	E15	73	325
I/O	-	F15	74	328
GND	67	G16	75	-
I/O	68	E18	76	331
I/O	69	F18	77	334
I/O	70	G17	78	337
I/O	71	G18	79	340
VCC	-	-	80	-
I/O	72	H16	81	343
I/O	73	H17	82	346
-	-	-	83*	-
I/O	-	G15	84	349
I/O	-	H15	85	352
I/O	74	H18	86	355
I/O	75	J18	87	358
I/O	76	J17	88	361
I/O (ERR, INIT)	77	J16	89	364
VCC	78	J15	90	-

\* Indicates unconnected package pins.

† Contributes only one bit (.i) to the boundary scan register.

### X4013 Pinouts (continued)

Pin Description	MQ208	PG223	MQ240	Bound Scan
GND	79	K15	91	–
I/O	80	K16	92	367
I/O	81	K17	93	370
I/O	82	K18	94	373
I/O	83	L18	95	376
I/O	84	L17	96	379
I/O	85	L16	97	382
–	–	–	98*	–
I/O	–	L15	99	385
I/O	–	M15	100	388
VCC	–	–	101	–
I/O	86	M18	102	391
I/O	87	M17	103	394
I/O	88	N18	104	397
I/O	89	P18	105	400
GND	90	M16	106	–
I/O	–	N15	107	403
I/O	–	P15	108	406
I/O	91	N17	109	409
I/O	92	R18	110	412
I/O	93	T18	111	415
I/O	94	P17	112	418
I/O	95	N16	113	421
I/O	96	T17	114	424
I/O	97	R17	115	427
I/O	98	P16	116	430
I/O	99	U18	117	433
SGCK3 (I/O)	100	T16	118	436
GND	101	R16	119	–
–	102*	–	–	–
DONE	103	U17	120	–
–	104*	–	–	–
–	105*	–	–	–
VCC	106	R15	121	–
–	107*	–	–	–
PROG	108	V18	122	–
I/O (D7)	109	T15	123	439
PGCK3 (I/O)	110	U16	124	442
I/O	111	T14	125	445
I/O	112	U15	126	448
I/O	–	R14	127	451
I/O	–	R13	128	454
I/O (D6)	113	V17	129	457
I/O	114	V16	130	460
I/O	115	T13	131	463
I/O	116	U14	132	466
I/O	117	V15	133	469
I/O	118	V14	134	472
GND	119	T12	135	–
I/O	–	R12	136	475
I/O	–	R11	137	478
I/O	120	U13	138	481
I/O	121	V13	139	484
VCC	–	–	140	–
I/O (D5)	122	U12	141	487
I/O (CS0)	123	V12	142	490
–	–	–	143*	–
I/O	124	T11	144	493
I/O	125	U11	145	496
I/O	126	V11	146	499
I/O	127	V10	147	502
I/O (D4)	128	U10	148	505
I/O	129	T10	149	508
VCC	130	R10	150	–

Pin Description	MQ208	PG223	MQ240	Bound Scan
GND	131	R9	151	–
I/O (D3)	132	T9	152	511
I/O (RS)	133	U9	153	514
I/O	134	V9	154	517
I/O	135	V8	155	520
I/O	136	U8	156	523
I/O	137	T8	157	526
–	–	–	158*	–
I/O (D2)	138	V7	159	529
I/O	139	U7	160	532
VCC	–	–	161	–
I/O	140	V6	162	535
I/O	141	U6	163	538
I/O	–	R8	164	541
I/O	–	R7	165	544
GND	142	T7	166	–
I/O	–	R6	167	547
I/O	–	R5	168	550
I/O	143	V5	169	553
I/O	144	V4	170	556
I/O	145	U5	171	559
I/O	146	T6	172	562
I/O (D1)	147	V3	173	565
I/O (RCLK–BUSY/RDY)	148	U2	174	568
I/O	149	V4	175	571
I/O	150	T5	176	574
I/O (D0, DIN)	151	U3	177	577
SGCK4 (DOUT, I/O)	152	T4	178	580
CCLK	153	V1	179	–
VCC	154	R4	180	–
–	155*	–	–	–
–	156*	–	–	–
–	157*	–	–	–
–	158*	–	–	–
TDO	159	U2	181	181
GND	160	R3	182	–
I/O (A0, WS)	161	T3	183	2
PGCK4 (I/O, A1)	162	U1	184	5
I/O	163	P3	185	8
I/O	164	R2	186	11
I/O (CS1, A2)	165	T2	187	14
I/O (A3)	166	N3	188	17
I/O	–	P4	189	20
I/O	–	N4	190	23
I/O	167	P2	191	26
I/O	168	T1	192	29
I/O	169	R1	193	32
I/O	170	N2	194	35
–	–	–	195*	–
GND	171	M3	196	–
I/O	172	P1	197	38
I/O	173	N1	198	41
I/O	–	M4	199	44
I/O	–	L4	200	47
VCC	–	–	201	–
I/O (A4)	174	M2	202	50
I/O (A5)	175	M1	203	53
–	–	–	204*	–
I/O	176	L3	205	56
I/O	177	L2	206	59
I/O	178	L1	207	62
I/O	179	K1	208	65
I/O (A6)	180	K2	209	68
I/O (A7)	181	K3	210	71
GND	182	K4	211	–

\* Indicates unconnected package pins.  
Boundary Scan Bit 0 = TDO.T  
Boundary Scan Bit 1 = TDO.O  
Boundary Scan Bit 583 = BSCANT.UPD

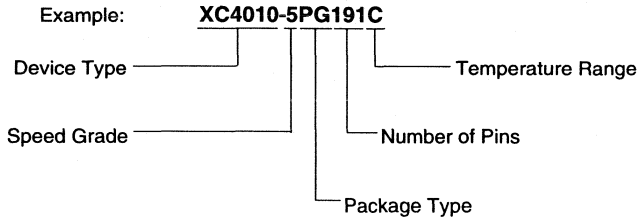
For a detailed description of the device architecture, see page 2-9.

For a detailed description of the configuration modes and their timing, see pages 2-32 through 2-55.

For detailed lists of package pinouts, see pages 2-56 through 2-62.

For package physical dimensions, see Section 4.

**Ordering Information**



**Component Availability**

PINS	84		100		120	144	156	160	164	191	196	208		223	240		
	PLAST. PLCC	PLAST. PQFP	PLAST. VQFP	TOP BRAZED CQFP	CERAM. PGA	PLAST. TQFP	CERAM. PGA	PLAST. PQFP	TOP BRAZED CQFP	CERAM. PGA	TOP BRAZED CQFP	PLAST. PQFP	METAL MQFP	CERAM. PGA	PLAST. PQFP	METAL MQFP	
CODE	PC84	PQ100	VQ100	CB100	PG120	TQ144	PG156	PQ160	CB164	PG191	CB196	PQ208	MQ208	PG223	PQ240	MQ240	
XC4005	-10						MB		MB								
	-6	CI					CI MB	CI	MB				CI				
	-5	C					C	C				C					
	-4	C					C	C				C					
XC4006	-6						CI	CI				CI					
	-5						C	C				C					
	-4						C	C				C					
XC4008	-6									CI		(CI)	CI				
	-5									C		(C)	C				
	-4									C		(C)	C				
XC4010	-10									MB	MB						
	-6						CI MB		MB			(CI)	CI				
	-5						C					(C)	C				
	-4						C					(C)	C				
XC4013	-6													CI	CI (MB)	(CI)	CI
	-5													C	C	(C)	C
	-4													C	C	(C)	C

C = Commercial = 0° to +70° C    I = Industrial = -40° to +85° C    M = Mil Temp = -55° to +125° C  
 B = MIL-STD-883C Class B    Parentheses indicates future product plans

## Product Description

### Features

- Third Generation Field-Programmable Gate Arrays
  - Abundant flip-flops
  - Flexible function generators
  - On-chip ultra-fast RAM
  - Dedicated high-speed carry-propagation circuit
  - Wide edge decoders
  - Hierarchy of interconnect lines
  - Internal 3-state bus capability
  - Eight global low-skew clock or signal distribution network
- Flexible Array Architecture
  - Programmable logic blocks and I/O blocks
  - Programmable interconnects and wide decoders
- Sub-micron CMOS Process
  - High-speed logic and Interconnect
  - Low power consumption
- Systems-Oriented Features
  - IEEE 1149.1-compatible boundary-scan logic support
  - Programmable output slew rate (4 modes)
  - Programmable input pull-up or pull-down resistors
  - 24-mA sink current per output (48 per pair)
- Configured by Loading Binary File
  - Unlimited reprogrammability
  - Six programming modes
- XACT Development System runs on '386/486-type PC, NEC PC, Apollo, Sun-4, and Hewlett-Packard 700 Series
  - Interfaces to popular design environments like Viewlogic, Mentor Graphics and OrCAD
  - Fully automatic partitioning, placement and routing
  - Interactive design editor for design optimization
  - 288 macros, 34 hard macros, RAM/ROM compiler

### Description

The XC4000A family of Field-Programmable Gate Arrays (FPGAs) provides the benefits of custom CMOS VLSI, while avoiding the initial cost, time delay, and inherent risk of a conventional masked gate array.

The XC4000A family provides a regular, flexible, programmable architecture of Configurable Logic Blocks (CLBs), interconnected by a powerful hierarchy of versatile routing resources, and surrounded by a perimeter of programmable IOBs.

The devices are customized by loading configuration data into the internal memory cells. The FPGA can either actively read its configuration data out of external serial or byte-parallel PROM (master modes), or the configuration data can be written into the FPGA (slave and peripheral modes).

The XC4000A family is supported by powerful and sophisticated software, covering every aspect of design: from schematic entry, to simulation, to automatic block placement and routing of interconnects, and finally the creation of the configuration bit stream.

Since Xilinx FPGAs can be reprogrammed an unlimited number of times, they can be used in innovative designs where hardware is changed dynamically, or where hardware must be adapted to different user applications. FPGAs are ideal for shortening the design and development cycle, but they also offer a cost-effective solution for production rates well beyond 1000 systems per month.

For a detailed description of the device features, architecture, configuration methods and pin descriptions, see pages 2-9 through 2-45.

**Table 1. The XC4000A Family of Field-Programmable Gate Arrays**

Device	XC4002A	XC4003A	XC4004A	XC4005A
Appr. Gate Count	2,000	3,000	4,000	5,000
CLB Matrix	8 x 8	10 x 10	12 x 12	14 x 14
Number of CLBs	64	100	144	196
Number of Flip-Flops	256	360	480	616
Max Decode Inputs (per side)	24	30	36	42
Max RAM Bits	2,048	3,200	4,608	6,272
Number of IOBs	64	80	96	112

Absolute Maximum Ratings

			Units
V <sub>CC</sub>	Supply voltage relative to GND	-0.5 to 7.0	V
V <sub>IN</sub>	Input voltage with respect to GND	-0.5 to 7	V
V <sub>TS</sub>	Voltage applied to 3-state output	-0.5 to 7	V
T <sub>STG</sub>	Storage temperature (ambient)	-65 to + 150	°C
T <sub>SOL</sub>	Maximum soldering temperature (10 s @ 1/16 in. = 1.5 mm)	+ 260	°C
T <sub>J</sub>	Junction temperature	+ 150	°C

Note: Stresses beyond those listed under Absolute Maximum Ratings may cause permanent damage to the device. These are stress ratings only, and functional operation of the device at these or any other conditions beyond those listed under Recommended Operating Conditions is not implied. Exposure to Absolute Maximum Ratings conditions for extended periods of time may affect device reliability.

Operating Conditions

				Min	Max	Units
V <sub>CC</sub>	Supply voltage relative to GND	Commercial	0°C to 70°C	4.75	5.25	V
	Supply voltage relative to GND	Industrial	-40°C to 85°C	4.5	5.5	V
	Supply voltage relative to GND	Military	-55°C to 125°C	4.5	5.5	V
V <sub>IH</sub>	High-level input voltage (XC4000 has TTL-like input thresholds)			2.0	V <sub>CC</sub>	V
V <sub>IL</sub>	Low-level input voltage (XC4000 has TTL-like input thresholds)			0	0.8	V
T <sub>IN</sub>	Input signal transition time				250	ns

DC Characteristics Over Operating Conditions

		Min	Max	Units
V <sub>OH</sub>	High-level output voltage @ I <sub>OH</sub> = -4.0 mA, V <sub>CC</sub> min	2.4		V
V <sub>OL</sub>	Low-level output voltage @ I <sub>OL</sub> = 24 mA, V <sub>CC</sub> max (Note 1)		0.4	V
I <sub>CCO</sub>	Quiescent LCA supply current (Note 2)		10	mA
I <sub>IL</sub>	Leakage current	-10	+10	µA
C <sub>IN</sub>	Input capacitance (sample tested)		15	pF
I <sub>RIN</sub>	Pad pull-up (when selected) @ V <sub>IN</sub> = 0V (sample tested)	0.02	0.25	mA
I <sub>RL</sub>	Horizontal Long Line pull-up (when selected) @ logic Low	0.2	2.5	mA

Note: 1. With 50% of the outputs simultaneously sinking 24 mA.  
 2. With no output current loads, no active input or longline pull-up resistors, all package pins at V<sub>CC</sub> or GND, and the LCA configured with a MakeBits tie option.

## Wide Decoder Switching Characteristic Guidelines

Testing of the switching parameters is modeled after testing methods specified by MIL-M-38510/605. All devices are 100% functionally tested. Since many internal timing parameters cannot be measured directly, there derived from benchmark timing patterns. The following guidelines reflect worst-case values over the recommended operating conditions. For more detailed, more precise, and more up-to-date timing information, use the values provided by the XACT timing calculator and used in the simulator.

Description	Speed Grade		-6	-5	Max	Units
	Symbol	Device	Max	Max		
Full length, both pull-ups, inputs from IOB I-pins	$T_{WAF}$	XC4002A	8.5	7.5		ns
		XC4003A	9.0	8.0		ns
		XC4004A	9.5	8.5		ns
		XC4005A	10.0	9.0		ns
Full length, both pull-ups inputs from internal logic	$T_{WAFI}$	XC4002A	11.5	10.5		ns
		XC4003A	12.0	11.0		ns
		XC4004A	12.5	11.5		ns
		XC4005A	13.0	12.0		ns
Half length, one pull-up inputs from IOB I-pins	$T_{WAO}$	XC4002A	8.5	7.5		ns
		XC4003A	9.0	8.0		ns
		XC4004A	9.5	8.5		ns
		XC4005A	10.0	9.0		ns
Half length, one pull-up inputs from internal logic	$T_{WAOI}$	XC4002A	11.5	10.5		ns
		XC4003A	12.0	11.0		ns
		XC4004A	12.5	11.5		ns
		XC4005A	13.0	12.0		ns

Note: These delays are specified from the decoder input to the decoder output. For pin-to-pin delays, add the input delay ( $T_{PID}$ ) and output delay (one of 4 modes), as listed on page 2-70.

## Global Buffer Switching Characteristic Guidelines

Testing of the switching parameters is modeled after testing methods specified by MIL-M-38510/605. All devices are 100% functionally tested. Since many internal timing parameters cannot be measured directly, they are derived from benchmark timing patterns. The following guidelines reflect worst-case values over the recommended operating conditions. For more detailed, more precise, and more up-to-date timing information, use the values provided by the XACT timing calculator and used in the simulator.

Description	Speed Grade		-6	-5	Max	Units
	Symbol	Device	Max	Max		
<b>Global Signal Distribution</b> From pad through <b>primary</b> buffer, to any clock k	$T_{PG}$	XC4002A	7.7	5.7		ns
		XC4003A	7.8	5.8		ns
		XC4004A	7.9	5.9		ns
		XC4005A	8.0	6.0		ns
From pad through <b>secondary</b> buffer, to any clock k	$T_{SG}$	XC4002A	8.7	6.7		ns
		XC4003A	8.8	6.8		ns
		XC4004A	8.9	6.9		ns
		XC4005A	9.0	7.0		ns

Horizontal Longline Switching Characteristic Guidelines

Testing of the switching parameters is modeled after testing methods specified by MIL-M-38510/605. All devices are 100% functionally tested. Since many internal timing parameters cannot be measured directly, they are derived from benchmark timing patterns. The following guidelines reflect worst-case values over the recommended operating conditions. For more detailed, more precise, and more up-to-date timing information, use the values provided by the XACT timing calculator and used in the simulator.

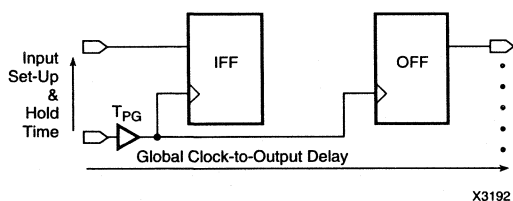
Description	Speed Grade		-6	-5	Max	Units
	Symbol	Device	Max	Max		
TBUF driving a Horizontal Longline (L.L.) I going High or Low to L.L. going High or Low, while T is Low, i.e. buffer is constantly active	T <sub>IO1</sub>	XC4002A	8.2	6.0		ns
		XC4003A	8.8	6.2		ns
		XC4004A	9.4	6.6		ns
		XC4005A	10.0	7.0		ns
I going Low to L.L. going from resistive pull-up High to active Low, (TBUF configured as open drain)	T <sub>IO2</sub>	XC4002A	8.7	6.5		ns
		XC4003A	9.3	6.7		ns
		XC4004A	9.9	7.1		ns
		XC4005A	10.5	7.5		ns
T going Low to L.L. going from resistive pull-up or floating High to active Low, (TUBF configured as open drain)	T <sub>ON</sub>	XC4002A	10.1	8.4		ns
		XC4003A	10.7	9.0		ns
		XC4004A	11.4	9.5		ns
		XC4005A	12.0	10.0		ns
T going High to TBUF going inactive, not driving L.L.	T <sub>OFF</sub>	All devices	3.0	2.0		ns
T going High to L.L. going from Low to High, pulled up by a single resistor	T <sub>PUS</sub>	XC4002A	23.0	19.0		ns
		XC4003A	24.0	20.0		ns
		XC4004A	25.0	21.0		ns
		XC4005A	26.0	22.0		ns
T going High to L.L. going from Low to High, pulled up by two resistors	T <sub>PUF</sub>	XC4002A	10.5	8.5		ns
		XC4003A	11.0	9.0		ns
		XC4004A	11.5	9.5		ns
		XC4005A	12.0	10.0		ns



## Guaranteed Input and Output Parameters (Pin-to-Pin)

All values listed below are tested directly and guaranteed over the operating conditions. The same parameters can also be derived indirectly from the IOB and Global Buffer specifications. The XACT delay calculator uses this indirect method. When there is a discrepancy between these two methods, the directly tested values listed below should be used, and the indirectly derived values must be ignored.

Description	Speed Grade		-6	-5	Units
	Symbol	Device			
Global Clock to Output (fast)	$T_{ICKOF}$ (Max)	XC4002A		12.2	ns
		XC4003A		12.5	ns
		XC4004A		12.8	ns
		XC4005A		13.0	ns
Global Clock to Output (slew limited)	$T_{ICKO}$ (Max)	XC4002A		15.2	ns
		XC4003A		15.5	ns
		XC4004A		15.8	ns
		XC4005A		16.0	ns
Input Set-up Time, using IFF (fast)	$T_{PSUF}$ (Min)	XC4002A		2.3	ns
		XC4003A		2.0	ns
		XC4004A		1.7	ns
		XC4005A		1.5	ns
Input Hold time, using IFF (fast)	$T_{PHF}$ (Min)	XC4002A		3.7	ns
		XC4003A		4.0	ns
		XC4004A		4.3	ns
		XC4005A		4.5	ns
Input Set-up Time, using IFF (with delay)	$T_{PSU}$ (Min)	XC4002A		18.8	ns
		XC4003A		18.5	ns
		XC4004A		18.2	ns
		XC4005A		18.0	ns
Input Hold Time, using IFF (with delay)	$T_{PH}$ (Min)	XC4002A		-5.8	ns
		XC4003A		-5.5	ns
		XC4004A		-5.2	ns
		XC4005A		-5.0	ns



X3192

Timing is measured at pin threshold, with 50 pF external capacitive loads (incl. test fixture).

When testing fast outputs, only one output switches. When testing slew-rate limited outputs, half the number of outputs on one side of the device are switching.

These parameter values are tested and guaranteed for worst-case conditions of supply voltage and temperature,

and also with the most unfavorable clock polarity choice. The use of a falling-edge clock in the IOB increases the effective clock delay by 1 to 2 ns.

The use of a **rising** clock edge, therefore, reduces the clock-to-Q delay, and ends the hold-time requirement earlier. The use of a **falling** clock edge reduces the input set-up time requirement.

In the tradition of guaranteeing absolute worst-case parameter values, the table above does not take advantage of these improvements. The user can choose between a rising clock edge with slightly shorter output delay, or a falling clock edge with slightly shorter input set-up time. One of these parameters is inevitably better than the guaranteed specification listed above, albeit by only one to two nanoseconds

IOB Switching Characteristic Guidelines

Testing of the switching parameters is modeled after testing methods specified by MIL-M-38510/605. All devices are 100% functionally tested. Since many internal timing parameters cannot be measured directly, they are derived from benchmark timing patterns. The following guidelines reflect worst-case values over the recommended operating conditions. For more detailed, more precise, and more up-to-date timing information, use the values provided by the XACT timing calculator and used in the simulator.

Description	Symbol	-6		-5		Min	Max	Units
		Min	Max	Min	Max			
<b>INPUT</b>								
Propagation Delays								
Pad to I1, I2	$T_{PID}$		4		3			ns
Pad to I1, I2, via transparent latch (fast)	$T_{PLI}$		8		7			ns
Pad to I1, I2, via transparent latch (with delay)	$T_{PDLI}$		26		24			ns
Clock (IK) to I1, I2, (flip-flop)	$T_{IKRI}$		8		7			ns
Clock (IK) to I1, I2 (latch enable, active Low)	$T_{IKLI}$		8		7			ns
Set-up Time (Note 3)								
Pad to Clock (IK), fast	$T_{PICK}$	7		6				ns
Pad to Clock (IK) with delay	$T_{PICKD}$	25		24				ns
Hold Time (Note 3)								
Pad to Clock (IK), fast	$T_{IKPI}$	1		1				ns
Pad to Clock (IK) with delay	$T_{IKPID}$	-8		-8				ns
<b>OUTPUT</b>								
Propagation Delays								
Clock (OK) to Pad (fast)	$T_{OKPOF}$		7.5		7			ns
Output (O) to Pad (fast)	$T_{OPF}$		9		7			ns
3-state to Pad begin hi-Z (fast)	$T_{TSHZF}$		9		7			ns
3-state to Pad active and valid (fast)	$T_{TSONF}$		13		10			ns
Additional Delay								
For medium fast outputs			2		1.5			ns
For medium slow outputs			4		3			ns
For slow outputs			6		4.5			ns
Set-up and Hold Times								
Output (O) to clock (OK) set-up time	$T_{OOK}$	8		6				ns
Output (O) to clock (OK) hold time	$T_{OKO}$	0		0				ns
Clock								
Clock High or Low time	$T_{CH/TCL}$	5		4				ns
Global Set/Reset*								
Delay from GSR net through Q to I1, I2	$T_{RRI}$		14.5		13.5			ns
Delay from GSR net to Pad	$T_{RPO}$		18		17			ns
GSR width	$T_{MRW}$	21		18				ns

\* Timing is based on the XC4005. For other devices see XACT timing calculator.

Notes: 1. Timing is measured at pin threshold, with 50 pF external capacitive loads (incl. test fixture).

2. Voltage levels of unused (bonded and unbonded) pads must be valid logic levels. Each can be configured with the internal pull-up or pull-down resistor or alternatively configured as a driven output or be driven from an external source.
3. Input pad setup times and hold times are specified with respect to the internal clock (IK). To calculate system setup time, subtract clock delay (clock pad to IK) from the specified input pad setup time value, but do not subtract below zero. Negative hold time means that the delay in the input data is adequate for the **external system hold time** to be zero, provided the input clock uses the Global signal distribution from pad to IK.

## CLB Switching Characteristic Guidelines

Testing of the switching parameters is modeled after testing methods specified by MIL-M-38510/605. All devices are 100% functionally tested. Since many internal timing parameters cannot be measured directly, they are derived from benchmark timing patterns. The following guidelines reflect worst-case values over the recommended operating conditions. For more detailed, more precise, and more up-to-date timing information, use the values provided by the XACT timing calculator and used in the simulator.

Description	Symbol	Speed Grade		-5		Min	Max	Units
		-6	-6	Min	Max			
Combinatorial Delays								
F/G inputs to X/Y outputs	$T_{ILO}$		6		4.5			ns
F/G inputs via H' to X/Y outputs	$T_{IHO}$		8		7			ns
C inputs via H' to X/Y outputs	$T_{HHO}$		7		5			ns
CLB Fast Carry Logic								
Operand inputs (F1,F2,G1,G4) to Cout	$T_{OPCY}$		7		5.5			ns
Add/Subtract input (F3) to Cout	$T_{ASCY}$		8		6			ns
Initialization inputs (F1,F3) to Cout	$T_{INCY}$		6		4			ns
$C_{IN}$ through function generators to X/Y outputs	$T_{SUM}$		8		6			ns
$C_{IN}$ to $C_{OUT}$ , bypass function generators.	$T_{BYP}$		2		1.5			ns
Sequential Delays								
Clock K to outputs Q	$T_{CKO}$		5		3			ns
Set-up Time before Clock K								
F/G inputs	$T_{ICK}$	6		4.5				ns
F/G inputs via H'	$T_{IHCK}$	8		6				ns
C inputs via H1	$T_{HHCK}$	7		5				ns
C inputs via DIN	$T_{DICK}$	4		3				ns
C inputs via EC	$T_{ECKK}$	7		4				ns
C inputs via S/R, going Low (inactive)	$T_{RCK}$	6		4.5				ns
$C_{IN}$ input via F/G'		8		6				ns
$C_{IN}$ input via F/G' and H'		10		7.5				ns
Hold Time after Clock K								
F/G inputs	$T_{CKI}$	0		0				ns
F/G inputs via H'	$T_{CKIH}$	0		0				ns
C inputs via H1	$T_{CKHH}$	0		0				ns
C inputs via DIN	$T_{CKDI}$	0		0				ns
C inputs via EC	$T_{CKEC}$	0		0				ns
C inputs via S/R, going Low (inactive)	$T_{CKR}$	0		0				ns
Clock								
Clock Hightime	$T_{CH}$	5		4.5				ns
Clock Low time	$T_{CL}$	5		4.5				ns
Set/Reset Direct								
Width (High)	$T_{RPW}$	5		4				ns
Delay from C to Q	$T_{RIO}$		9		8			ns
Master Set/Reset*								
Width (High or Low)	$T_{MRW}$	21		18				ns
Delay from Global Set/Reset net to Q	$T_{MRQ}$		33		31			ns

\* Timing is based on the XC4005. For other devices see XACT timing calculator.

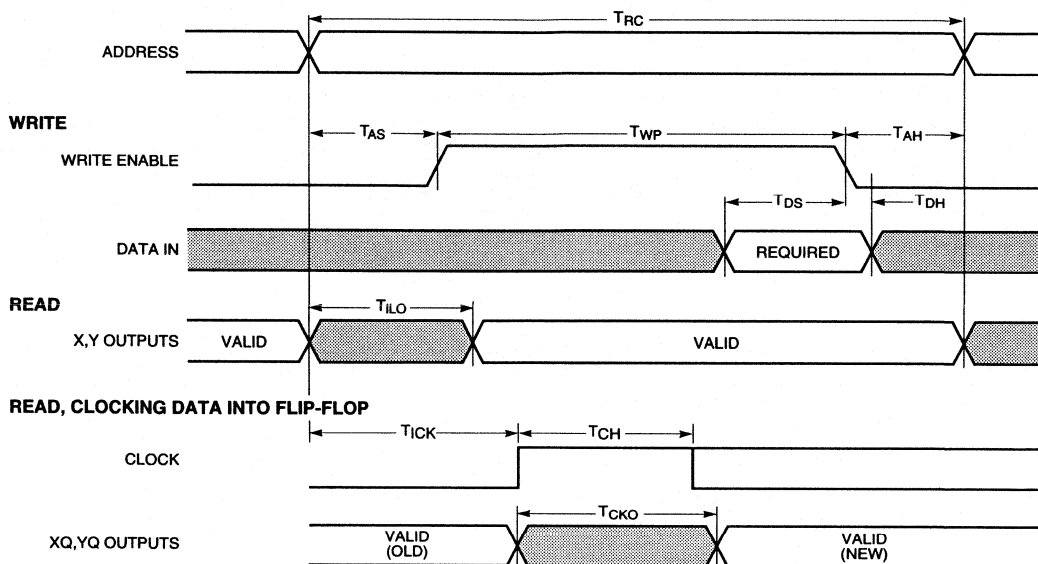
**CLB Switching Characteristic Guidelines (continued)**

Testing of the switching parameters is modeled after testing methods specified by MIL-M-38510/605. All devices are 100% functionally tested. Since many internal timing parameters cannot be measured directly, they are derived from benchmark timing patterns. The following guidelines reflect worst-case values over the recommended operating conditions. For more detailed, more precise, and more up-to-date timing information, use the values provided by the XACT timing calculator and used in the simulator.

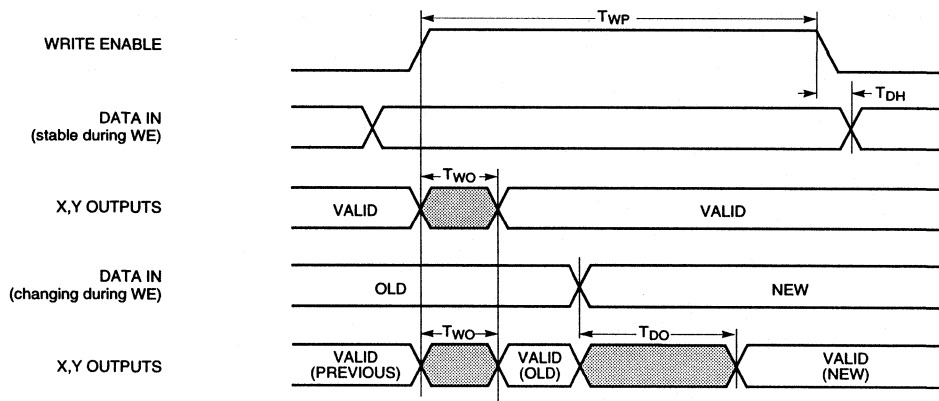
CLB RAM OPTION	Speed Grade		-6		-5		Min	Max	Units
			Min	Max	Min	Max			
Description	Symbol		Min	Max	Min	Max	Min	Max	Units
<b>Write Operation</b>									
Address write cycle time	16 x 2	T <sub>WC</sub>	9		8				ns
	32 x 1	T <sub>WCT</sub>	9		8				ns
Write Enable pulse width (High)	16 x 2	T <sub>WP</sub>	5		4				ns
	32 x 1	T <sub>WPT</sub>	5		4				ns
Address set-up time before beginning of WE	16 x 2	T <sub>AS</sub>	2		2				ns
	32 x 1	T <sub>AST</sub>	2		2				ns
Address hold time after end of WE	16 x 2	T <sub>AH</sub>	2		2				ns
	32 x 1	T <sub>AHT</sub>	2		2				ns
DIN set-up time before end of WE	16 x 2	T <sub>DS</sub>	4		4				ns
	32 x 1	T <sub>DST</sub>	5		5				ns
DIN hold time after end of WE	both	T <sub>DHT</sub>	2		2				ns
<b>Read Operation</b>									
Address read cycle time	16 x 2	T <sub>RC</sub>	7		5.5				ns
	32 x 1	T <sub>RCT</sub>	10		7.5				ns
Data valid after address change (no Write Enable)	16 x 2	T <sub>ILO</sub>		6		4.5			ns
	32 x 1	T <sub>IHO</sub>		8		7			ns
<b>Read Operation, Clocking Data into Flip-Flop</b>									
Address setup time before clock K	16 x 2	T <sub>ICK</sub>	6		4.5				ns
	32 x 1	T <sub>IHCK</sub>	8		6				ns
<b>Read During Write</b>									
Data valid after WE going active (DIN stable before WE)	16 x 2	T <sub>WO</sub>		12		10			ns
	32 x 1	T <sub>WOT</sub>		15		12			ns
Data valid after DIN (DIN change during WE)	16 x 2	T <sub>DO</sub>		11		9			ns
	32 x 1	T <sub>DOT</sub>		14		11			ns
<b>Read During Write, Clocking Data into Flip-Flop</b>									
WE setup time before clock K	16 x 2	T <sub>WCK</sub>	12		10				ns
	32 x 1	T <sub>WCKT</sub>	15		12				ns
Data setup time before clock K	16 x 2	T <sub>DCK</sub>	11		9				ns
	32 x 1	T <sub>DCKT</sub>	14		11				ns

Note: Timing for the 16 x 1 RAM option is identical to 16 x 2 RAM timing

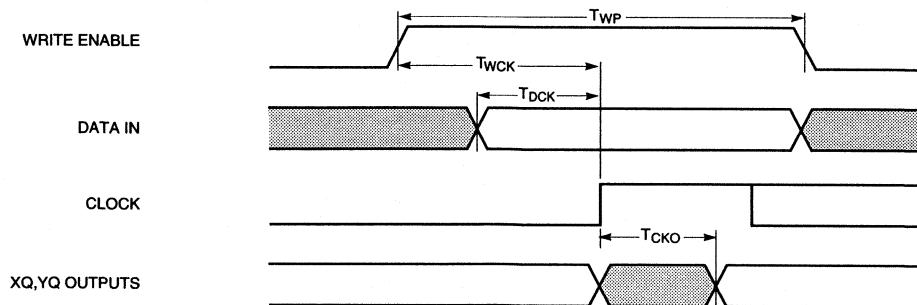
# CLB RAM Timing Characteristics



## READ DURING WRITE



## READ DURING WRITE, CLOCKING DATA INTO FLIP-FLOP





### XC4002A Pinouts

Pin Description	PC 84	PQ100	VQ100	PG120	Bound Scan	Pin Description	PC 84	PQ100	VQ100	PG120	Bound Scan	Pin Description	PC 84	PQ100	VQ100	PG120	Bound Scan
VCC	2	92	89	G3	-	I/O	28	23	20	C9	92	-	-	-	-	L9	-
I/O (A8)	3	93	90	G1	26	SGCK2 (I/O)	29	24	21	A12	95	I/O (D6)	58	58	55	M10	157
I/O (A9)	4	94	91	F1	29	M1	30	25	22	B11	98	I/O	-	59	56	N11	160
-	-	95*	92*	E1*	-	GND	31	26	23	C10	-	I/O (D5)	59	60	57	M9	163
-	-	96*	93*	F2*	-	M0	32	27	24	C11	101†	I/O (CS0)	60	61	58	N10	166
I/O (A10)	5	97	94	F3	32	VCC	33	28	25	D11	-	-	-	62*	59*	L8*	-
I/O (A11)	6	98	95	D1	35	M2	34	29	26	B12	102†	-	-	63*	60*	N9*	-
-	-	-	-	E2*	-	PGCK2 (I/O)	35	30	27	C12	103	I/O (D4)	61	64	61	M8	169
I/O (A12)	7	99	96	C1	38	I/O (HDC)	36	31	28	A13	106	I/O	62	65	62	N8	172
I/O (A13)	8	100	97	D2	41	-	-	-	-	B13*	-	VCC	63	66	63	M7	-
-	-	-	-	E3*	-	-	-	-	-	E11*	-	GND	64	67	64	L7	-
-	-	-	-	B1*	-	I/O	-	32	29	D12	109	I/O (D3)	65	68	65	N7	175
I/O (A14)	9	1	98	C2	44	I/O (LDC)	37	33	30	C13	112	I/O (RS)	66	69	66	N6	178
SGCK1 (A15, I/O)	10	2	99	D3	47	I/O	38	34	31	E12	115	-	-	70*	67*	N5*	-
VCC	11	3	100	C3	-	I/O	39	35	32	D13	118	-	-	-	-	M6*	-
GND	12	4	1	C4	-	-	-	36*	33*	F11*	-	I/O (D2)	67	71	68	L6	181
PGCK1 (A16, I/O)	13	5	2	B2	50	-	-	37*	34*	E13*	-	I/O	68	72	69	N4	184
I/O (A17)	14	6	3	B3	53	I/O	40	38	35	F12	121	I/O (D1)	69	73	70	M5	187
-	-	-	-	A1*	-	I/O (ERR, INIT)	41	39	36	F13	124	I/O (PCLK-BUSY/RDY)	70	74	71	N3	190
-	-	-	-	A2*	-	VCC	42	40	37	G12	-	-	-	-	-	M4*	-
I/O (TDI)	15	7	4	C5	56	GND	43	41	38	G11	-	-	-	-	-	L5*	-
I/O (TCK)	16	8	5	B4	59	I/O	44	42	39	G13	127	I/O (D0, DIN)	71	75	72	N2	193
-	-	-	-	A3*	-	I/O	45	43	40	H13	130	SGCK4 (DOUT, I/O)	72	76	73	M3	196
I/O (TMS)	17	9	6	B5	62	-	-	44*	41*	J13*	-	CCLK	73	77	74	L4	-
I/O	18	10	7	A4	65	-	-	45*	42*	H12*	-	VCC	74	78	75	L3	-
-	-	-	-	C6*	-	I/O	46	46	43	H11	133	TDO	75	79	76	M2	-
-	-	11*	8*	A5*	-	I/O	47	47	44	K13	136	GND	76	80	77	K3	-
I/O	19	12	9	B6	68	I/O	48	48	45	J12	139	I/O (A0, WS)	77	81	78	L2	2
I/O	20	13	10	A6	71	I/O	49	49	46	L13	142	PGCK4 (I/O,A1)	78	82	79	N1	5
GND	21	14	11	B7	-	-	-	-	-	K12*	-	-	-	-	-	M1*	-
VCC	22	15	12	C7	-	-	-	-	-	J11*	-	-	-	-	-	J3*	-
I/O	23	16	13	A7	74	I/O	50	50	47	M13	145	I/O (CS1, A2)	79	83	80	K2	8
I/O	24	17	14	A8	77	SGCK3 (I/O)	51	51	48	L12	148	I/O (A3)	80	84	81	L1	11
-	-	18*	15*	A9*	-	GND	52	52	49	K11	-	I/O (A4)	81	85	82	J2	14
-	-	-	-	B8*	-	DONE	53	53	50	L11	-	I/O (A5)	82	86	83	K1	17
I/O	25	19	16	C8	80	VCC	54	54	51	L10	-	-	-	87*	84*	H3*	-
I/O	26	20	17	A10	83	PROG	55	55	52	M12	-	-	-	88*	85*	J1*	-
I/O	27	21	18	B9	86	I/O (D7)	56	56	53	M11	151	I/O (A6)	83	89	86	H2	20
I/O	-	22	19	A11	89	PGCK3 (I/O)	57	57	54	N13	154	I/O (A7)	84	90	87	H1	23
-	-	-	-	B10*	-	-	-	-	-	N12*	-	GND	1	91	88	G2	-

\* Indicates unconnected package pins.

† Contributes only one bit (.1) to the boundary scan register.

Boundary Scan Bit 0 = TDO.T

Boundary Scan Bit 1 = TDO.O

Boundary Scan Bit 199 = BSCANT.UPD

XC4003A Pinouts

Pin Description	PC84	VQ100	PQ100	PG120	Bound Scan
VCC	2	89	92	G3	-
I/O (A8)	3	90	93	G1	32
I/O (A9)	4	91	94	F1	35
I/O	-	92	95	E1	38
I/O	-	93	96	F2	41
I/O (A10)	5	94	97	F3	44
I/O (A11)	6	95	98	D1	47
-	-	-	-	E2*	-
I/O (A12)	7	96	99	C1	50
I/O (A13)	8	97	100	D2	53
-	-	-	-	E3*	-
-	-	-	-	B1*	-
I/O (A14)	9	98	1	C2	56
SGCK1 (A15,I/O)	10	99	2	D3	59
VCC	11	100	3	C3	-
GND	12	1	4	C4	-
PGCK1 (A16, I/O)	13	2	5	B2	62
I/O (A17)	14	3	6	B3	65
-	-	-	-	A1*	-
-	-	-	-	A2*	-
I/O (TDI)	15	4	7	C5	68
I/O (TCK)	16	5	8	B4	71
-	-	-	-	A3*	-
I/O (TMS)	17	6	9	B5	74
I/O	18	7	10	A4	77
I/O	-	-	-	C6	80
I/O	-	8	11	A5	83
I/O	19	9	12	B6	86
I/O	20	10	13	A6	89
GND	21	11	14	B7	-
VCC	22	12	15	C7	-
I/O	23	13	16	A7	92
I/O	24	14	17	A8	95
I/O	-	15	18	A9	98
I/O	-	-	-	B8	101
I/O	25	16	19	C8	104
I/O	26	17	20	A10	107
I/O	27	18	21	B9	110
I/O	-	19	22	A11	113
-	-	-	-	B10*	-
I/O	28	20	23	C9	116
SGCK2 (I/O)	29	21	24	A12	119
M1	30	22	25	B11	122
GND	31	23	26	C10	-
M0	32	24	27	C11	125†
VCC	33	25	28	D11	-
M2	34	26	29	B12	126†
PGCK2 (I/O)	35	27	30	C12	127
I/O (HDC)	36	28	31	A13	130
-	-	-	-	B13*	-
-	-	-	-	E11*	-
I/O	-	29	32	D12	133
I/O (LDC)	37	30	33	C13	136
I/O	38	31	34	E12	139
I/O	39	32	35	D13	142
I/O	-	33	36	F11	145
I/O	-	34	37	E13	148
I/O	40	35	38	F12	151
I/O (ERR, INIT)	41	36	39	F13	154
VCC	42	37	40	G12	-

Pin Description	PC84	VQ100	PQ100	PG120	Bound Scan
GND	43	38	41	G11	-
I/O	44	39	42	G13	157
I/O	45	40	43	H13	160
I/O	-	41	44	J13	163
I/O	-	42	45	H12	166
I/O	46	43	46	H11	169
I/O	47	44	47	K13	172
I/O	48	45	48	J12	175
I/O	49	46	49	L13	178
-	-	-	-	K12*	-
-	-	-	-	J11*	-
I/O	50	47	50	M13	181
SGCK3 (I/O)	51	48	51	L12	184
GND	52	49	52	K11	-
DONE	53	50	53	L11	-
VCC	54	51	54	L10	-
PROG	55	52	55	M12	-
I/O (D7)	56	53	56	M11	187
PGCK3 (I/O)	57	54	57	N13	190
-	-	-	-	N12*	-
-	-	-	-	L9*	-
I/O (D6)	58	55	58	M10	193
I/O	-	56	59	N11	196
I/O (D5)	59	57	60	M9	199
I/O (CS0)	60	58	61	N10	202
I/O	-	59	62	L8	205
I/O	-	60	63	N9	208
I/O (D4)	61	61	64	M8	211
I/O	62	62	65	N8	214
VCC	63	63	66	M7	-
GND	64	64	67	L7	-
I/O (D3)	65	65	68	N7	217
I/O (RS)	66	66	69	N6	220
I/O	-	67	70	N5	223
I/O	-	-	-	M6	226
I/O (D2)	67	68	71	L6	229
I/O	68	69	72	N4	232
I/O (D1)	69	70	73	M5	235
I/O (RCLK-BUSY/RDY)	70	71	74	N3	238
-	-	-	-	M4*	-
-	-	-	-	L5*	-
I/O (D0, DIN)	71	72	75	N2	241
SGCK4 (DOUT, I/O)	72	73	76	M3	244
CCLK	73	74	77	L4	-
VCC	74	75	78	L3	-
TDO	75	76	79	M2	-
GND	76	77	80	K3	-
I/O (A0, WS)	77	78	81	L2	2
PGCK4 (A1, I/O)	78	79	82	N1	5
-	-	-	-	M1*	-
-	-	-	-	J3*	-
I/O (CS1, A2)	79	80	83	K2	8
I/O (A3)	80	81	84	L1	11
I/O (A4)	81	82	85	J2	14
I/O (A5)	82	83	86	K1	17
I/O	-	84	87	H3	20
I/O	-	85	88	J1	23
I/O (A6)	83	86	89	H2	26
I/O (A7)	84	87	90	H1	29
GND	1	88	91	G2	-

\* Indicates unconnected package pins.

† Contributes only one bit (.) to the boundary scan register.

Boundary Scan Bit 0 = TDO.†

Boundary Scan Bit 1 = TDO.0

Boundary Scan Bit 247 = BSCANT.UPD



### XC4004A Pinouts

Pin Description	PC84	TQ144	PQ160	PG120	Bound Scan
VCC	2	128	142	G3	-
I/O (A8)	3	129	143	G1	38
I/O (A9)	4	130	144	F1	41
I/O	-	131	145	E1	44
I/O	-	132	146	F2	47
I/O (A10)	5	133	147	F3	50
I/O (A11)	6	134	148	D1	53
-	-	135*	149*	-	-
-	-	136*	150*	-	-
GND	-	137	151	E2	-
-	-	-	152*	-	-
-	-	-	153*	-	-
I/O (A12)	7	138	154	C1	56
I/O (A13)	8	139	155	D2	59
I/O	-	140	156	E3	62
I/O	-	141	157	B1	65
I/O (A14)	9	142	158	C2	68
SGCK1 (A15, I/O)	10	143	159	D3	71
VCC	11	144	160	C3	-
GND	12	1	1	C4	-
PGCK1 (A16, I/O)	13	2	2	B2	74
I/O (A17)	14	3	3	B3	77
I/O	-	4	4	A1	80
I/O	-	5	5	A2	83
I/O (TDI)	15	6	6	C5	86
I/O (TCK)	16	7	7	B4	89
-	-	-	8*	-	-
-	-	-	9*	-	-
VSS	-	8	10	A3	-
-	-	9*	11*	-	-
-	-	10*	12*	-	-
I/O (TMS)	17	11	13	B5	92
I/O	18	12	14	A4	95
I/O	-	13	15	C6	98
I/O	-	14	16	A5	101
I/O	19	15	17	B6	104
I/O	20	16	18	A6	107
GND	21	17	19	B7	-
VCC	22	18	20	C7	-
I/O	23	19	21	A7	110
I/O	24	20	22	A8	113
I/O	-	21	23	A9	116
I/O	-	22	24	B8	119
I/O	25	23	25	C8	122
I/O	26	24	26	A10	125
-	-	25*	27*	-	-
-	-	26*	28*	-	-
GND	-	27	29	-	-
-	-	-	30*	-	-
-	-	-	31*	-	-
I/O	27	28	32	B9	128
I/O	-	29	33	A11	131
I/O	-	30	34	B10	134
I/O	-	31	35	-	137

Pin Description	PC84	TQ144	PQ160	PG120	Bound Scan
I/O	28	32	36	C9	140
SGCK2 (I/O)	29	33	37	A12	143
M1	30	34	38	B11	146
GND	31	35	39	C10	-
-	32	36	40	C11	149†
VCC	33	37	41	D11	-
M2	34	38	42	B12	150†
PGCK2 (I/O)	35	39	43	C12	151
I/O (HDC)	36	40	44	A13	154
I/O	-	41	45	B13	157
I/O	-	42	46	E11	160
I/O	-	43	47	D12	163
I/O (LDC)	37	44	48	C13	166
-	-	-	49*	-	-
-	-	-	50*	-	-
GND	-	45	51	-	-
-	-	46*	52*	-	169
-	-	47*	53*	-	172
I/O	38	48	54	E12	175
I/O	39	49	55	D13	178
I/O	-	50	56	F11	181
I/O	-	51	57	E13	184
I/O	40	52	58	F12	187
I/O (ERR, INIT)	41	53	59	F13	190
VCC	42	54	60	G12	-
GND	43	55	61	G11	-
I/O	44	56	62	G13	193
I/O	45	57	63	H13	196
I/O	-	58	64	J13	199
I/O	-	59	65	H12	202
I/O	46	60	66	H11	205
I/O	47	61	67	K13	208
-	-	62*	68*	-	-
-	-	63*	69*	-	-
GND	-	64	70	-	-
-	-	-	71*	-	211
-	-	-	72*	-	214
I/O	48	65	73	J12	217
I/O	49	66	74	L13	220
I/O	-	67	75	K12	223
I/O	-	68	76	J11	226
I/O	50	69	77	M13	229
SGCK3 (I/O)	51	70	78	L12	232
GND	52	71	79	K11	-
DONE	53	72	80	L11	-
VCC	54	73	81	L10	-
PROG	55	74	82	M12	-
I/O (D7)	56	75	83	M11	235
PGCK3 (I/O)	57	76	84	N13	238
I/O	-	77	85	N12	241
I/O	-	78	86	L9	244
I/O (D6)	58	79	87	M10	247
I/O	-	80	88	N11	250
-	-	-	89*	-	-

Pin Description	PC84	TQ144	PQ160	PG120	Bound Scan
-	-	-	90*	-	-
GND	-	81	91	-	-
-	-	82*	92*	-	-
-	-	83*	93*	-	-
I/O (D5)	59	84	94	M9	253
I/O (CS0)	60	85	95	N10	256
I/O	-	86	96	L8	259
I/O	-	87	97	N9	262
I/O (D4)	61	88	98	M8	265
I/O	62	89	99	N8	268
VCC	63	90	100	M7	-
GND	64	91	101	L7	-
I/O (D3)	65	92	102	N7	271
I/O (RS)	66	93	103	N6	274
I/O	-	94	104	N5	277
I/O	-	95	105	M6	280
I/O (D2)	67	96	106	L6	283
I/O	68	97	107	N4	286
-	-	98*	108*	-	-
-	-	99*	109*	-	-
GND	-	100	110	-	-
-	-	-	111*	-	-
-	-	-	112*	-	-
I/O (D1)	69	101	113	M5	289
I/O (RCLK-BUSY/RDY)	70	102	114	N3	292
I/O	-	103	115	M4	295
I/O	-	104	116	L5	298
I/O (D0, DIN)	71	105	117	N2	301
SGCK4 (DOUT, I/O)	72	106	118	M3	304
CCLK	73	107	119	L4	-
VCC	74	108	120	L3	-
TDO	75	109	121	M2	-
GND	76	110	122	K3	-
I/O (A0, WS)	77	111	123	L2	2
PGCK4 (I/O,A1)	78	112	124	N1	5
I/O	-	113	125	M1	8
I/O	-	114	126	J3	11
I/O (CS1, A2)	79	115	127	K2	14
I/O (A3)	80	116	128	L1	17
-	-	117*	129*	-	-
-	-	-	130*	-	-
GND	-	118	131	-	-
-	-	119*	132*	-	-
-	-	120*	133*	-	-
I/O (A4)	81	121	134	J2	20
I/O (A5)	82	122	135	K1	23
-	-	-	136*	-	-
I/O	-	123	137	H3	26
I/O	-	124	138	J1	29
I/O (A6)	83	125	139	H2	32
I/O (A7)	84	126	140	H1	35
GND	1	127	141	G2	-

\* Indicates unconnected package pins.

† Contributes only one bit (i) to the boundary scan register.

Boundary Scan Bit 0 = TDO.T

Boundary Scan Bit 1 = TDO.O

Boundary Scan Bit 307 = BSCANT.UPD

XC4005A Pinouts

Pin Description	PC84	TQ144	PQ160	PQ208	PG156	Bound Scan
VCC	2	128	142	183	H3	--
I/O (A8)	3	129	143	184	H1	44
I/O (A9)	4	130	144	185	G1	47
I/O	--	131	145	186	G2	50
I/O	--	132	146	187	G3	53
--	--	--	--	188*	--	--
--	--	--	--	189*	--	--
I/O (A10)	5	133	147	190	F1	56
I/O (A11)	6	134	148	191	F2	59
I/O	--	135	149	192	E1	62
I/O	--	136	150	193	E2	65
GND	--	137	151	194	F3	--
--	--	--	--	195*	--	--
--	--	--	--	196*	--	--
--	--	--	152*	197*	D1*	--
--	--	--	153*	198*	D2*	--
I/O (A12)	7	138	154	199	E3	68
I/O (A13)	8	139	155	200	C1	71
--	--	--	--	--	--	--
I/O	--	140	156	201	C2	74
I/O	--	141	157	202	D3	77
I/O (A14)	9	142	158	203	B1	80
SGCK1 (A15, I/O)	10	143	159	204	B2	83
VCC	11	144	160	205	C3	--
--	--	--	--	206*	--	--
--	--	--	--	207*	--	--
--	--	--	--	208*	--	--
--	--	--	--	1*	--	--
GND	12	1	1	2	C4	--
--	--	--	--	3*	--	--
PGCK1 (A16, I/O)	13	2	2	4	B3	86
I/O (A17)	14	3	3	5	A1	89
I/O	--	4	4	6	A2	92
I/O	--	5	5	7	C5	95
--	--	--	--	--	--	--
I/O (TDI)	15	6	6	8	B4	98
I/O (TCK)	16	7	7	9	A3	101
--	--	--	8*	10*	A4*	--
--	--	--	9*	11*	--	--
--	--	--	--	12*	--	--
--	--	--	--	13*	--	--
GND	--	8	10	14	C6	--
I/O	--	9	11	15	B5	104
I/O	--	10	12	16	B6	107
I/O (TMS)	17	11	13	17	A5	110
I/O	18	12	14	18	C7	113
--	--	--	--	19*	--	--
--	--	--	--	20*	--	--
I/O	--	13	15	21	B7	116
I/O	--	14	16	22	A6	119
I/O	19	15	17	23	A7	122
I/O	20	16	18	24	A8	125
GND	21	17	19	25	C8	--
VCC	22	18	20	26	B8	--
I/O	23	19	21	27	C9	128
I/O	24	20	22	28	B9	131
I/O	--	21	23	29	A9	134
I/O	--	22	24	30	B10	137
--	--	--	--	31*	--	--
--	--	--	--	32*	--	--
I/O	25	23	25	33	C10	140
I/O	26	24	26	34	A10	143
I/O	--	25	27	35	A11	146
I/O	--	26	28	36	B11	149
GND	--	27	29	37	C11	--
--	--	--	--	38*	--	--
--	--	--	--	39*	--	--
--	--	--	30*	40*	A12*	--
--	--	--	31*	41*	--	--
I/O	27	28	32	42	B12	152
I/O	--	29	33	43	A13	155
I/O	--	30	34	44	A14	158

Pin Description	PC84	TQ144	PQ160	PQ208	PG156	Bound Scan
I/O	--	31	35	45	C12	161
--	--	--	--	--	--	--
I/O	28	32	36	46	B13	164
SGCK2 (I/O)	29	33	37	47	B14	167
M1	30	34	38	48	A15	170
GND	31	35	39	49	C13	--
M0	32	36	40	50	A16	173†
--	--	--	--	51*	--	--
--	--	--	--	52*	--	--
--	--	--	--	53*	--	--
--	--	--	--	54*	--	--
VCC	33	37	41	55	C14	--
M2	34	38	42	56	B15	174†
PGCK2 (I/O)	35	39	43	57	B16	175
I/O (HDC)	36	40	44	58	D14	178
I/O	--	41	45	59	C15	181
--	--	--	--	--	--	--
I/O	--	42	46	60	D15	184
I/O	--	43	47	61	E14	187
I/O (LDC)	37	44	48	62	C16	190
--	--	--	49*	63*	E15*	--
--	--	--	50*	64*	D16*	--
--	--	--	--	65*	--	--
--	--	--	--	66*	--	--
GND	--	45	51	67	F14	--
I/O	--	46	52	68	F15	193
I/O	--	47	53	69	E16	196
I/O	38	48	54	70	F16	199
I/O	39	49	55	71	G14	202
--	--	--	--	72*	--	--
--	--	--	--	73*	--	--
I/O	--	50	56	74	G15	205
I/O	--	51	57	75	G16	208
I/O	40	52	58	76	H16	211
I/O (ERR, INIT)	41	53	59	77	H15	214
VCC	42	54	60	78	H14	--
GND	43	55	61	79	J14	--
I/O	44	56	62	80	J15	217
I/O	45	57	63	81	J16	220
I/O	--	58	64	82	K16	223
I/O	--	59	65	83	K15	226
--	--	--	--	84*	--	--
--	--	--	--	85*	--	--
I/O	46	60	66	86	K14	229
I/O	47	61	67	87	L16	232
I/O	--	62	68	88	M16	235
I/O	--	63	69	89	L15	238
GND	--	64	70	90	L14	--
--	--	--	--	91*	--	--
--	--	--	--	92*	--	--
--	--	--	71*	93*	N16*	--
--	--	--	72*	94*	M15*	--
I/O	48	65	73	95	P16	241
I/O	49	66	74	96	M14	244
I/O	--	67	75	97	N15	247
I/O	--	68	76	98	P15	250
I/O	50	69	77	99	N14	253
SGCK3 (I/O)	51	70	78	100	R16	256
GND	52	71	79	101	P14	--
--	--	--	--	102*	--	--
DONE	53	72	80	103	R15	--
--	--	--	--	104*	--	--
--	--	--	--	105*	--	--
VCC	54	73	81	106	P13	--
--	--	--	--	107*	--	--
PROG	55	74	82	108	R14	--
I/O (D7)	56	75	83	109	T16	259
PGCK3 (I/O)	57	76	84	110	T15	262
I/O	--	77	85	111	R13	265
--	--	--	--	--	--	--
I/O	--	78	86	112	P12	268
I/O (D6)	58	79	87	113	T14	271

\* Indicates unconnected package pins.  
 † Contributes only one bit (.) to the boundary scan register.

### XC4005A Pinouts (continued)

Pin Descriptions	PC84	TQ144	PQ160	PQ208	PG156	Bound Scan
I/O	-	80	88	114	T13	274
-	-	-	89*	115*	R12*	-
-	-	-	90*	116*	T12*	-
-	-	-	-	117*	-	-
-	-	-	-	118*	-	-
<b>GND</b>	-	81	91	119	P11	-
I/O	-	82	92	120	R11	277
I/O	-	83	93	121	T11	280
I/O (D5)	59	84	94	122	T10	283
I/O (CS0)	60	85	95	123	P10	286
-	-	-	-	124*	-	-
-	-	-	-	125*	-	-
I/O	-	86	96	126	R10	289
I/O	-	87	97	127	T9	292
I/O (D4)	61	88	98	128	R9	295
I/O	62	89	99	129	P9	298
<b>VCC</b>	63	90	100	130	R8	-
<b>GND</b>	64	91	101	131	P8	-
I/O (D3)	65	92	102	132	T8	301
I/O (RS)	66	93	103	133	T7	304
I/O	-	94	104	134	T6	307
I/O	-	95	105	135	R7	310
-	-	-	-	136*	-	-
-	-	-	-	137*	-	-
I/O (D2)	67	96	106	138	P7	313
I/O	68	97	107	139	T5	316
I/O	-	98	108	140	R6	319
I/O	-	99	109	141	T4	322
<b>GND</b>	-	100	110	142	P6	-
-	-	-	-	143*	-	-
-	-	-	-	144*	-	-
-	-	-	111*	145*	R5*	-
-	-	-	112*	146*	-	-
I/O (D1)	69	101	113	147	T3	325
I/O (RCLK-BUSY/RDY)	70	102	114	148	P5	328
I/O	-	103	115	149	R4	331
-	-	-	-	-	-	-
I/O	-	104	116	150	R3	334
I/O (D0, DIN)	71	105	117	151	P4	337
SGCK4 (DOUT, I/O)	72	106	118	152	T2	340
CCLK	73	107	119	153	R2	-
<b>VCC</b>	74	108	120	154	P3	-
-	-	-	-	155*	-	-
-	-	-	-	156*	-	-
-	-	-	-	157*	-	-
-	-	-	-	158*	-	-
<b>TDO</b>	75	109	121	159	T1	-
<b>GND</b>	76	110	122	160	N3	-
I/O (A0, WS)	77	111	123	161	R1	2
PGCK4 (A1, I/O)	78	112	124	162	P2	5
I/O	-	113	125	163	N2	8
-	-	-	-	-	-	-
I/O	-	114	126	164	M3	11
I/O (CS1, A2)	79	115	127	165	P1	14
I/O (A3)	80	116	128	166	N1	17
-	-	117*	129*	167*	M2*	-
-	-	-	130*	168*	M1*	-
-	-	-	-	169*	-	-
-	-	-	-	170*	-	-
<b>GND</b>	-	118	131	171	L3	-
I/O	-	119	132	172	L2	20
I/O	-	120	133	173	L1	23
I/O (A4)	81	121	134	174	K3	26
I/O (A5)	82	122	135	175	K2	29
-	-	-	-	176*	-	-
-	-	-	136*	177*	-	-
I/O	-	123	137	178	K1	32
I/O	-	124	138	179	J1	35
I/O (A6)	83	125	139	180	-	38
I/O (A7)	84	126	140	181	J3	41
<b>GND</b>	1	127	141	182	H2	-

\* Indicates unconnected package pins.  
Boundary Scan Bit 0 = TDO.T

Boundary Scan Bit 1 = TDO.O  
Boundary Scan Bit 343 = BSCANT.UPD

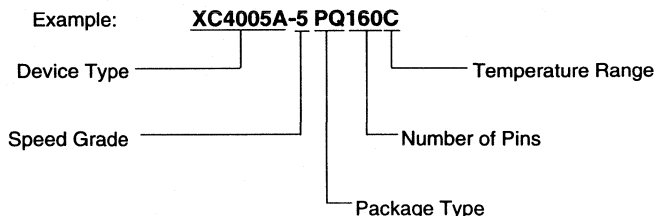
For a detailed description of the device architecture, see page 2-9.

For a detailed description of the configuration modes and their timing, see pages 2-32 through 2-55.

For detailed lists of package pinouts, see pages 2-74 through 2-78.

For package physical dimensions, see Section 4.

**Ordering Information**



**Component Availability**

PINS	84	100			120	144	156	160	164	191	196	208		223	240
	PLAST. PLCC	PLAST. PQFP	PLAST. VQFP	TOP BRAZED CQFP	CERAM. PGA	PLAST. TQFP	CERAM. PGA	PLAST. PQFP	TOP BRAZED CQFP	CERAM. PGA	TOP BRAZED CQFP	PLAST. PQFP	METAL PQFP	CERAM. PGA	METAL PQFP
CODE	PC84	PQ100	VQ100	CB100	PG120	TQ144	PG156	PQ160	CB164	PG191	CB196	PQ208	MQ208	PG223	MQ240
XC4002A	-6	C I	C I	C I		C I									
	-5	C	C	C		C									
	-4	C	C	C		C									
XC4003A	-10				MB	MB									
	-6	C I	C I	C I	MB	C I M B									
	-5	C	C	C		C									
	-4	C	C	C		C									
XC4004A	-6	C I				C I	C I		C I						
	-5	C				C	C		C						
	-4	C				C	C		C						
XC4005A	-6	C I					C I	C I	C I				C I		
	-5	C					C	C	C				C		
	-4	C					C	C	C				C		

C = Commercial = 0° to +70° C      I = Industrial = -40° to +85° C      M = Mil Temp = -55° to +125° C  
 B = MIL-STD-883C Class B      Parentheses indicates future product plans



# XC4000H High I/O Count Logic Cell Array Family

## Preliminary Product Specifications

### Features

- Third-generation Field-Programmable Gate Arrays
  - Very high number of I/O pins
  - Abundant flip-flops
  - Flexible function generators
  - On-chip ultra-fast RAM
  - Dedicated high-speed carry-propagation circuit
  - Wide edge decoders
  - Efficient implementation of multi-level logic
  - Hierarchy of interconnect lines
  - Internal 3-state bus capability
  - Eight global low-skew clock or signal distribution network
  - IEEE 1149.1-compatible boundary-scan logic support
  - Programmable output slew rate with (two modes including SoftEdge)
- Per-pin individually configurable input threshold and output high level, either TTL or CMOS
  - Programmable input pull-up or pull-down resistors
- Flexible Array Architecture
  - Programmable logic blocks and I/O blocks
  - Programmable interconnects and wide decoders
- Sub-micron CMOS Process
  - High-speed logic and interconnect
  - Low power consumption
- Configured by Loading Binary File
  - Unlimited reprogrammability
  - Six programming modes
- XACT Development System runs on '386/486-type PC, NEC PC, Apollo, Sun-4, and Hewlett Packard 700 Series
  - Interfaces to popular design environments like Viewlogic, Mentor Graphics and OrCAD
  - Fully automatic partitioning, placement and routing
  - Interactive design editor for design optimization
  - 288 macros, 34 hard macros, RAM/ROM compiler

### Description

The XC4000 family of Field-Programmable Gate Arrays (FPGAs) provides the benefits of custom CMOS VLSI, while avoiding the initial cost, time delay, and inherent risk of a conventional masked gate array.

The XC4000 family provides a regular, flexible, programmable architecture of Configurable Logic Blocks (CLBs),

Device	XC4003H	XC4005H
Approximate Gate Count	3,000	5,000
Number of IOBs	160	192
CLB Matrix	10 x 10	14 x 14
Number of CLBs	100	196
Number of Flip-Flops	200	392
Max Decode Inputs (per side)	30	42
Max RAM Bits	3,200	6,272

interconnected by a powerful hierarchy of versatile routing resources, and surrounded by a perimeter of programmable Input/Output Blocks (IOBs).

The XC4000H family is intended for I/O-intensive applications. Compared to the XC4000, the XC4000H devices have almost double the number of IOBs and I/O pins, and offer a choice of CMOS- or TTL-level outputs and input thresholds, selectable per pin. The XC4000H outputs sink 24 mA and offer improved 3-state and slew-rate control.

The devices are customized by loading configuration data into the internal memory cells. The FPGA can either actively read configuration data out of external serial or byte-parallel PROM (master modes), or the configuration data can be written into the FPGA (slave and peripheral modes).

The XC4000H family is supported by the same powerful and sophisticated software as the XC4000 family, covering every aspect of design: from schematic entry, to simulation, to automatic block placement and routing of interconnects, and finally to the creation of the configuration bit stream.

Since Xilinx FPGAs can be reprogrammed an unlimited number of times, they can be used in innovative designs where hardware is changed dynamically, or where hardware must be adapted to different user applications. FPGAs are ideal for shortening the design and development cycle, but they also offer a cost-effective solution for production rates well beyond 1000 systems per month.

For a detailed description of the device features, architecture, configuration methods and pin descriptions, see pages 2-9 through 2-45.

## XC4000H Compared to XC4000

For readers already familiar with the XC4000 family, here is a concise list of the major new features in the XC4000H family.

- Number of IOBs is, roughly, doubled compared to the XC4000.
- Output slew-rate control is significantly improved.
 

Resistive Load means a strong pull-down all the way to ground, capable of sinking 24 mA continuously. If many outputs switch simultaneously, the resulting ground bounce might be objectionable.

Capacitive Load, or SoftEdge, means a more sophisticated pull-down that decreases in strength as it approaches ground. It can only sink 4 mA at  $V_{OL}$  which is irrelevant when driving capacitive loads. The benefit is a substantial reduction in ground bounce when several outputs switch simultaneously.

In the XC4000, limiting the slew rate of the output reduces ground bounce, but also introduces a significant additional delay. In the XC4000H, the additional delay in the capacitive-load mode is usually insignificant.
- All input and output flip-flops have been eliminated in the XC4000H family. Use the CLB flip-flops instead.
- Outputs can sink 24 mA, guaranteed at  $V_{OL} = 0.5$  V, compared to the 12 mA at 0.4 V of the XC4000 family.
- Number of decoder inputs per side
- Each output may be individually configured as one of the following.
  - TTL-compatible (like the XC4000) that uses n-channel transistors for both pull-down and pull-up,
  - A totem-pole output structure with reduced  $V_{OH}$ ,
  - CMOS-compatible (like the XC2000 and XC3000) that means n-channel pull-down and p-channel pull-up with  $V_{OH}$  close to the  $V_{CC}$  rail.
- Each input can individually be configured for either TTL-compatible threshold (1.2 V) or for CMOS-compatible threshold ( $V_{CC}/2$ ). Each input can be configured to be inverting or non-inverting.
- Any combination of programmable input and output levels on any I/O pin is possible, even the dubious combination of TTL output and CMOS input on the same I/O pin.
- Output 3-state operation is controlled by a two-input multiplexer.
- The first activation of outputs after the end of the configuration process, as they change from 3-state to their active level, is always in the SoftEdge mode. This

prevents potential ground-bounce problems when all outputs turn on simultaneously. A few nanoseconds later, each output assumes the current-sink capability determined by its configuration. This soft wake-up operation is transparent to the user.

## Architectural Overview

Except for the I/O structure, the XC4000H family is identical to the original XC4000 family. A matrix of Configurable Logic Blocks is interconnected through a hierarchy of flexible routing resources. The powerful system-integration features of the XC4000 family, such as on-chip RAM, dedicated fast carry, and wide decoders, are retained in the XC4000H family.

The XC4000H family almost doubles the number of input/output pins compared to the XC4000, an attractive feature for I/O-intensive applications. The output drivers were redesigned to be more powerful and more flexible.

### Input/Output Blocks (IOBs)

The IOBs form the interface between the internal logic and the I/O pads of the XC4000H device. Each IOB consists of a programmable output section that can drive the pad, and a programmable input section, that can receive data from the pad. Aside from being connected to the same pad, the input and output sections have nothing else in common.

#### Input

In XC4000H devices, there are no input flip-flops.

The input section receives data from the pad. Each input can be configured individually with TTL or CMOS input thresholds. As a configuration option, the input can be either inverted or non-inverted, before it is made available to the internal logic.

#### Pad

Each I/O pad can be configured with or without a pull-up or pull-down resistor, independent of the pin usage.

#### Boundary Scan

The XC4000H IOBs have the same IEE 1149.1 boundary-scan capabilities as the IOBs in the original XC4000.

#### Output

In an XC4000H IOB, there is no output flip-flop. The output section receives data and 3-state control information from the CLB interconnect structure.

Under configuration control, the data can be inverted or non-inverted. The output driver assumes one of the following states.

- Permanently disabled, making the pad an input only pad
- 3-state controlled from the internal logic

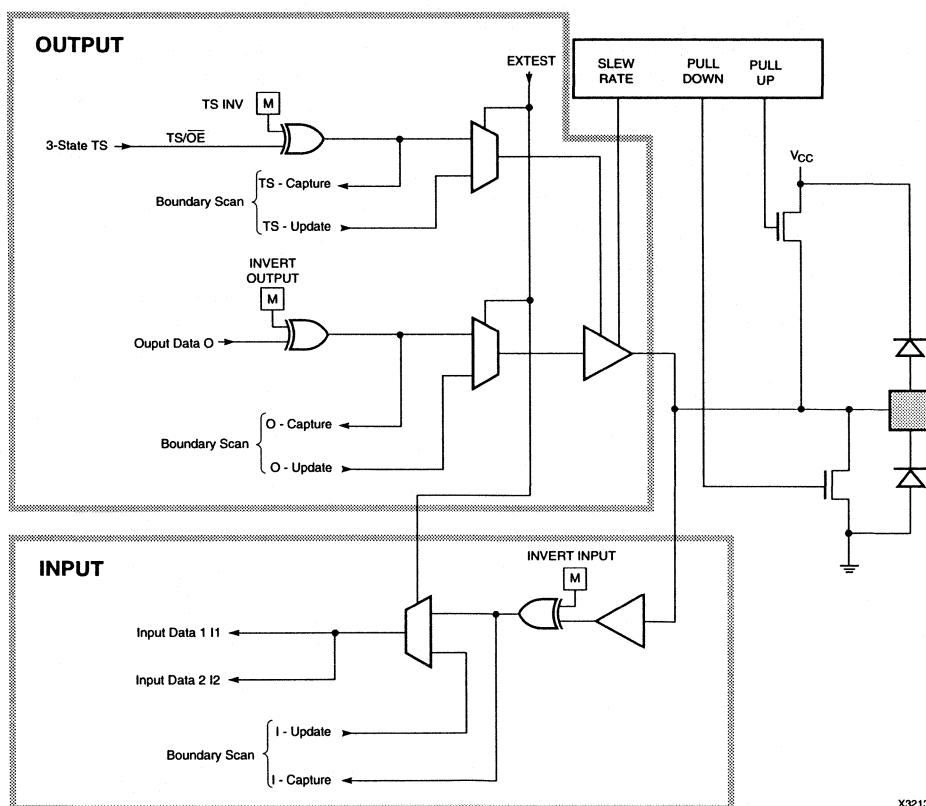
There are two potential sources of the 3-state-control information, selected by a multiplexer. The output of the multiplexer driving the 3-state control can be inverted as a configuration option. The signal can be active High 3-state, which is identical to the more popular connotation of active-Low Output Enable, or it can be active-High Output Enable, which is identical to active Low 3-state.

Each output can be individually configured as either TTL- or CMOS-compatible. A TTL-compatible output uses n-channel transistors for both pull-down and pull-up. As a result, the output High voltage,  $V_{OH}$ , is at least one threshold voltage drop below  $V_{CC}$ . Depending on the load current, this means a voltage drop of 1.0 to 2.4 V. In a system using TTL input thresholds of 1.2 V, this lower output voltage results in shorter delays when switching from High to Low, and thus a better delay balance between the two signal directions. The smaller signal amplitude also generates less noise. The reduction in High-level noise margin is irrelevant because it is still much better than the Low-level noise margin. TTL-level outputs are, therefore, the best choice for systems that use TTL-level input thresholds. (XC4000 and XC4000A devices have only TTL-level outputs and have only TTL-level input thresholds).

When the output is configured as CMOS-compatible, an additional p-channel transistor pulls the output towards the  $V_{CC}$  rail. This results in an unloaded rail-to-rail signal swing, ideal for systems that use CMOS input thresholds. (XC2000 and XC3000 devices have only CMOS-level outputs).

Each output can be configured for either of two slew-rate options, which affect only the pull-down operation. When configured for resistive load, the pull-down transistor is driven hard, resulting in a practically constant on-resistance of about  $10\ \Omega$ . This results in the fastest High-to-Low transition, and the capability to sink 24 mA with a voltage of 500 mV. When many outputs switch High to Low simultaneously, especially when they are discharging a capacitive load, this configuration option might result in excessive ground bounce.

When configured for capacitive load, or SoftEdge, the High-to-Low transition starts as described above, but the drive to the pull-down transistor is reduced as soon as the output voltage reaches a value around 1 V. This results in a higher resistance in the pull-down transistor, a slowing down of the falling edge, and a significantly reduced ground bounce.



X3213

Figure 1. XC4000H Input/Output Block

## Slew-Rate Control

The XC4000H outputs use a novel, patent-pending method of slew-rate control that reduces ground bounce without any significant delay penalty. Each output is configured with a choice between two slew-rate options. Both options reduce the positive ground bounce that occurs when the output current is turned on. They differ in the way the output current is turned off.

- The slew-rate-limited default mode is called capacitive, or SoftEdge. At the beginning of a High-to-Low transition, the pull-down transistor is gradually turned on, and kept fully conductive until the output voltage has reached +1 V. The pull-down transistor is then gradually turned off, so that it finally has an on-resistance of about 100  $\Omega$ , low enough to sink 4 mA continuously. Gradually turning off the sink current reduces the max value of current change ( $di/dt$ ) that is normally responsible for the negative voltage spike over the common ground inductance (bonding wires), called ground bounce.

*The capacitive, or SoftEdge, mode is the best choice for capacitively loaded outputs, or for outputs requiring less than 4 mA of dc sink current.*

- The non-slew-rate limited mode is called resistive. At the beginning of a High-to-Low transition, the pull-down transistor is gradually turned on, and kept fully conductive as long as the output data is a logic Low. The pull-down transistor has an impedance of <20  $\Omega$ , capable of sinking 24 mA continuously.

Resistive mode is required for driving terminated transmission lines with 4 to 24 mA of dc sink current. The abrupt current change when the output voltage reaches zero causes a voltage spike over the ground inductance (bonding wire) and can result in objectionable ground bounce when many outputs switch High-to-Low simultaneously.

The following figures show output rising and falling edges when one output drives different loads. The tests were performed on a multi-ground-plane test PC board, manufactured by Urban Instruments (Encino, CA). Measurements were done with a Tektronix TDS540 digital storage oscilloscope. The figures below are unedited files from these measurements, the time scale is 2 ns/division.

The upper trace in each figure shows a second output driven from the same internal signal, but unloaded. It acts as a timing reference, and triggers the oscilloscope.

Resistive mode and capacitive mode transitions start with practically the same delay from the internal logic. Resistive mode falls faster, and has more undershoot; capacitive mode rises slightly faster. For a 200- $\Omega$  pull-up, 330- $\Omega$  pull-down termination, only resistive mode is meaningful. A TTL-output with a 1000- $\Omega$  pull-up, 150-pF termination has a slow (150 ns) final rise time that extends outside the 10-ns timing window of these figures.

Trace A shows Resistive mode with CMOS outputs  
Trace B shows Resistive mode with TTL outputs  
Trace C shows Capacitive mode with CMOS outputs  
Trace D shows Capacitive mode with TTL outputs

### Summary

Use resistive mode for applications that require >4 mA of dc sink current, and for heavy capacitive loads when they must be discharged fast. Use capacitive mode for all other applications, especially for light capacitive loads (50 to 200 pF) and for all timing-uncritical outputs that require <4 mA dc current. The Low-to-High transition is not affected by the choice of slew-rate mode.

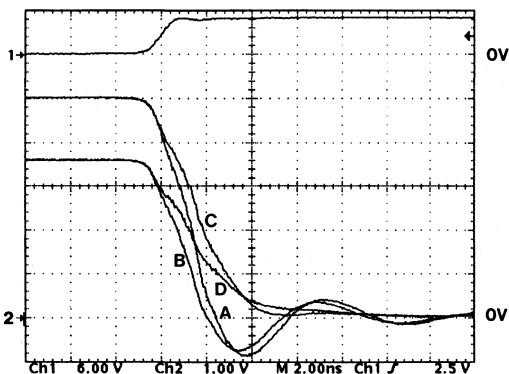


Figure 2. Falling Edge, 50 pF Load

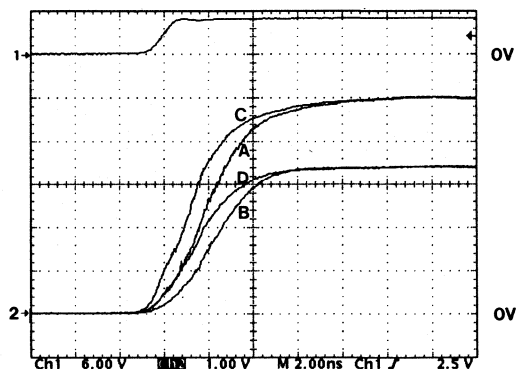


Figure 3. Rising Edge, 50 pF Load



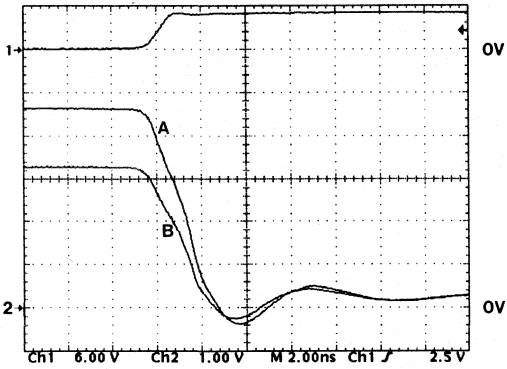


Figure 4. Falling Edge, 200/330  $\Omega$ , 50 pF Load

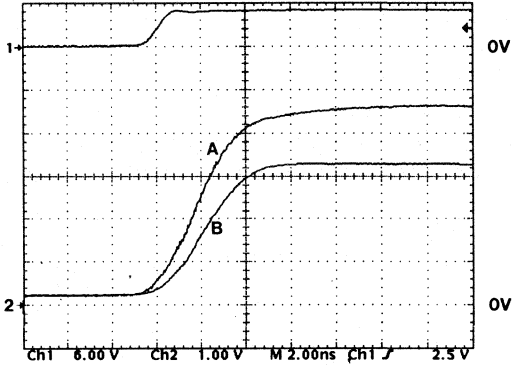


Figure 5. Rising Edge, 200/330  $\Omega$ , 50 pF Load

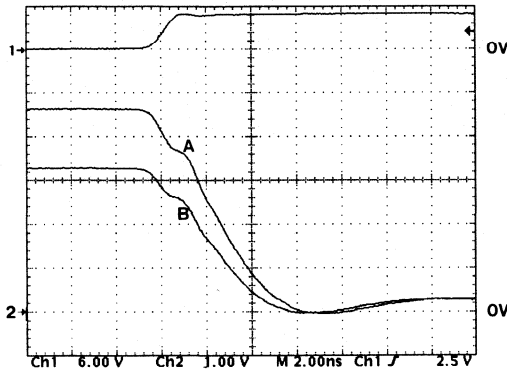


Figure 6. Falling Edge, 200/330  $\Omega$ , 150 pF Load

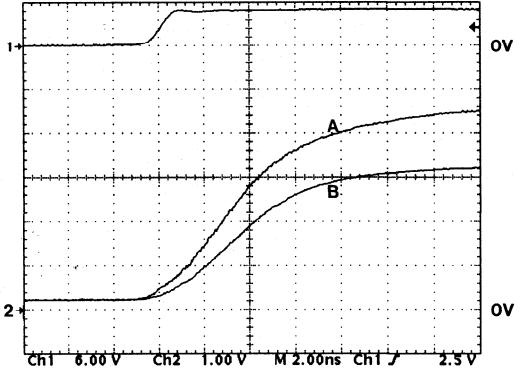


Figure 7. Rising Edge, 200/330  $\Omega$ , 150 pF Load

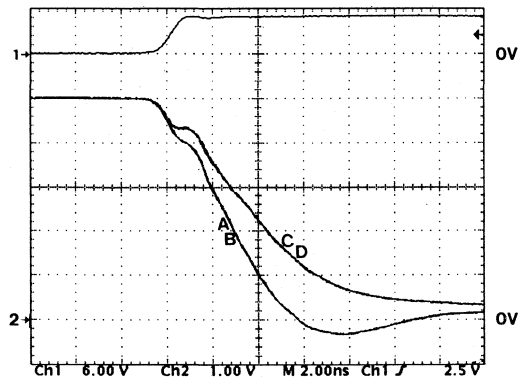


Figure 8. Falling Edge, 1000  $\Omega$ , 150 pF Load

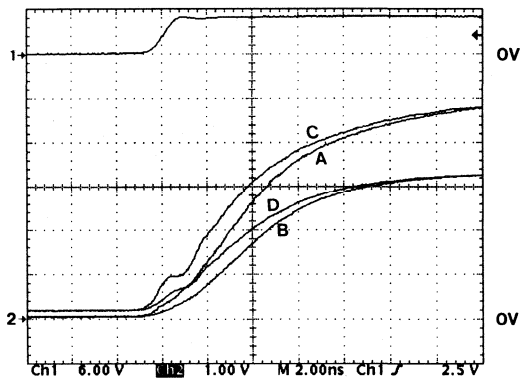


Figure 9. Rising Edge, 1000  $\Omega$ , 150 pF Load

## Absolute Maximum Ratings

			Units
$V_{CC}$	Supply voltage relative to GND	-0.5 to 7.0	V
$V_{IN}$	Input voltage with respect to GND	-0.5 to 7.0	V
$V_{TS}$	Voltage applied to 3-state output	-0.5 to 7.0	V
$T_{STG}$	Storage temperature (ambient)	-65 to + 150	°C
$T_J$	Junction temperature	+ 150	°C

Note: Stresses beyond those listed under absolute maximum ratings may cause permanent damage to the device. These are stress ratings only, and functional operation of the device at these or any other conditions beyond those listed under Recommended Operating Conditions is not implied. Exposure to Absolute Maximum Ratings conditions for extended periods of time may affect device reliability.

## Operating Conditions

				Min	Max	Units
$V_{CC}$	Supply voltage relative to GND	Commercial	0°C to 70°C	4.75	5.25	V
	Supply voltage relative to GND	Industrial	-40°C to 85°C	4.5	5.5	V
	Supply voltage relative to GND	Military	-55°C to 125°C	4.5	5.5	V
$V_{IH}$	High-level input voltage for TTL threshold			2.0	$V_{CC}$	V
$V_{IH}$	High-level input voltage for CMOS threshold			70%	100%	$V_{CC}$
$V_{IL}$	Low-level input voltage for TTL threshold			0	0.8	V
$V_{IL}$	Low-level input voltage CMOS threshold			0	20%	$V_{CC}$

## DC Characteristics Over Operating Conditions

				Min	Max	Units
$V_{OH}$	High-level output voltage, TTL option @ $I_{OH} = -4.0$ mA			2.4		V
$V_{OH}$	High-level output voltage, CMOS option @ $I_{OH} = -1$ mA				$V_{CC} - 0.5$	V
$V_{OL}$	Low-level output voltage @ $I_{OL} = 24$ mA, $V_{CC}$ max (Note 1)				0.5	V
$I_{CCO}$	Quiescent LCA supply current (Note 2)				10	mA
$I_{IL}$	Leakage current			-10	+10	μA
$C_{IN}$	Input capacitance (sample tested)				15	pF
$I_{RIN}$	Pad pull-up (when selected) @ $V_{IN} = 0V$ (estimate)			0.02	0.20	mA
$I_{RLL}$	Horizontal Long Line pull-up (when selected) @ logic Low			0.2	2.5	mA

Note: 1. XC4003H—with 50% of the outputs simultaneously sinking 24 mA. XC4005H—with 33% of the outputs simultaneously sinking 24 mA.  
2. With no output current loads, no active input or long line pull-resistors, all package pins at  $V_{CC}$  or GND, and the LCA configured with a MakeBits tie option.

## Preliminary Wide Decoder Switching Characteristic Guidelines

Testing of the switching parameters is modeled after testing methods specified by MIL-M-38510/605. All devices are 100% functionally tested. Since many internal timing parameters cannot be measured directly, they are derived from benchmark timing patterns. The following guidelines reflect worst-case values over the recommended operating conditions. For more detailed, more precise, and more up-to-date timing information, use the values provided by the XACT timing calculator and used in the simulator.

Description	Speed Grade		-6	-5	Max	Units
	Symbol	Device	Max	Max		
Full length, both pull-ups, inputs from IOB i-pins	$T_{WAF}$	XC4003H	9.0	8.0		ns
		XC4005H	10.0	9.0		ns
Full length, both pull-ups inputs from internal logic	$T_{WAFL}$	XC4003H	12.0	11.0		ns
		XC4005H	13.0	12.0		ns
Half length, one pull-up inputs from IOB i-pins	$T_{WAO}$	XC4003H	9.0	8.0		ns
		XC4005H	10.0	9.0		ns
Half length, one pull-up inputs from internal logic	$T_{WAOL}$	XC4003H	12.0	11.0		ns
		XC4005H	13.0	12.0		ns

Note: These delays are specified from the decoder input to the decoder output. For pin-to-pin delays, add the input delay ( $T_{PID}$ ) and output delay ( $T_{OPR}$  or  $T_{OPC}$ ), as listed on page 2-93.

## Preliminary Global Buffer Switching Characteristic Guidelines

Testing of the switching parameters is modeled after testing methods specified by MIL-M-38510/605. All devices are 100% functionally tested. Since many internal timing parameters cannot be measured directly, they are derived from benchmark timing patterns. The following guidelines reflect worst-case values over the recommended operating conditions. For more detailed, more precise, and more up-to-date timing information, use the values provided by the XACT timing calculator and used in the simulator.

Description	Speed Grade		-6	-5	Max	Units
	Symbol	Device	Max	Max		
<b>Global Signal Distribution</b> From pad through <b>primary</b> buffer, to any clock k	$T_{PG}$	XC4003H	7.8	5.8		ns
		XC4005H	8.0	6.0		ns
From pad through <b>secondary</b> buffer, to any clock k	$T_{SG}$	XC4003H	8.8	6.8		ns
		XC4005H	9.0	7.0		ns

**Preliminary Horizontal Longline Switching Characteristic Guidelines**

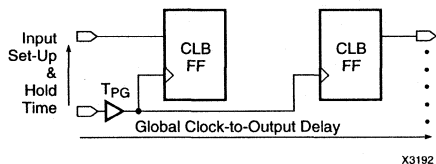
Testing of the switching parameters is modeled after testing methods specified by MIL-M-38510/605. All devices are 100% functionally tested. Since many internal timing parameters cannot be measured directly, they are derived from benchmark timing patterns. The following guidelines reflect worst-case values over the recommended operating conditions. For more detailed, more precise, and more up-to-date timing information, use the values provided by the XACT timing calculator and used in the simulator.

Description	Speed Grade		-6	-5	Max	Units
	Symbol	Device	Max	Max		
TBUF driving a Horizontal Longline (L.L.) I going High or Low to L.L. while T is Low, i.e. buffer is constantly active	T <sub>IO1</sub>	XC4003H	8.8	6.2		ns
		XC4005H	10.0	7.0		
I going Low to L.L. going from resistive pull-up High to active Low, (TBUF configured as open drain)	T <sub>IO2</sub>	XC4003H	9.3	6.7		ns
		XC4005H	10.5	7.5		
T going Low to L.L. going from resistive pull-up or floating High to active Low, (TBUF configured as open drain)	T <sub>ON</sub>	XC4003H	10.7	9.0		ns
		XC4005H	12.0	10.0		
T going High to TBUF going inactive, not driving the L.L.	T <sub>OFF</sub>	All devices	3.0	2.0		ns
T going High to L.L. going from Low to High, pulled up by single resistor	T <sub>PUS</sub>	XC4003H	24.0	20.0		ns
		XC4005H	26.0	22.0		
T going High to L.L. going from Low to High, pulled up by two resistors	T <sub>PUF</sub>	XC4003H	11.0	9.0		ns
		XC4005H	12.0	10.0		

## Preliminary Input and Output Parameters (Pin-to-Pin)

All values listed below are tested directly and guaranteed over the operating conditions. The same parameters can also be derived indirectly from the IOB and Global Buffer specifications. The XACT delay calculator uses this indirect method. When there is a discrepancy between these two methods, the directly tested values listed below should be used, and the indirectly derived values must be ignored.

Description	Speed Grade		-6	-5	-4	Units
	Symbol	Device				
Global Clock to Output (fast) using nearest CLB FF	$T_{ICKOF}$ (Max)	XC4003H XC4005H				ns ns
Global Clock to Output (slew limited) using nearest CLB FF	$T_{ICKO}$ (Max)	XC4003H XC4005H				ns ns
Input Set-up Time, using nearest CLB FF	$T_{PSUF}$ (Min)	XC4003H XC4005H				ns ns
Input Hold time, using nearest CLB FF	$T_{PHF}$ (Min)	XC4003H XC4005H				ns ns



Timing is measured at pin threshold, with 50 pF external capacitive loads (incl. test fixture).

When testing fast outputs, only one output switches. When testing slew-rate limited outputs, half the number of outputs on one side of the device are switching.

These parameter values are tested and guaranteed for worst-case conditions of supply voltage and temperature,

and also with the most unfavorable clock polarity choice. The use of a rising-edge clock reduces the effective clock delay by 1 to 2 ns.

The use of a rising clock edge, therefore, reduces the clock-to-output delay, and ends the hold-time requirement earlier. The use of a falling clock edge reduces the input set-up time requirement.

In the tradition of guaranteeing absolute worst-case parameter values, the table above does not take advantage of these improvements. The user can choose between a rising clock edge with slightly shorter output delay, or a falling clock edge with slightly shorter input set-up time. One of these parameters is inevitably better than the guaranteed specification listed above, albeit by only one to two nanoseconds.

## Preliminary CLB Switching Characteristic Guidelines

Testing of the switching parameters is modeled after testing methods specified by MIL-M-38510/605. All devices are 100% functionally tested. Since many internal timing parameters cannot be measured directly, they are derived from benchmark timing patterns. The following guidelines reflect worst-case values over the recommended operating conditions. For more detailed, more precise, and more up-to-date timing information, use the values provided by the XACT timing calculator and used in the simulator.

Description	Symbol	Speed Grade		-5		Min	Max	Units
		-6		Min	Max			
Combinatorial Delays								
F/G inputs to X/Y outputs	$T_{ILO}$		6		4.5			ns
F/G inputs via H' to X/Y outputs	$T_{IHO}$		8		7			ns
C inputs via H' to X/Y outputs	$T_{HHO}$		7		5			ns
CLB Fast Carry Logic								
Operand inputs (F1,F2,G1,G4) to Cout	$T_{OPCY}$		7		5.5			ns
Add/Subtract input (F3) to Cout	$T_{ASCY}$		8		6			ns
Initialization inputs (F1,F3) to Cout	$T_{INCY}$		6		4			ns
$C_{IN}$ through function generators to X/Y outputs	$T_{SUM}$		8		6			ns
$C_{IN}$ to $C_{OUT}$ , bypass function generators.	$T_{BYP}$		2		1.5			ns
Sequential Delays								
Clock K to outputs Q	$T_{CKO}$		5		3			ns
Set-up Time before Clock K								
F/G inputs	$T_{ICK}$	6		4.5				ns
F/G inputs via H'	$T_{IHCK}$	8		6				ns
C inputs via H1	$T_{HHCK}$	7		5				ns
C inputs via DIN	$T_{DICK}$	4		3				ns
C inputs via EC	$T_{ECCK}$	7		4				ns
C inputs via S/R, going Low (inactive)	$T_{RCK}$	6		4.5				ns
$C_{IN}$ input via F'/G'		8		6				ns
$C_{IN}$ input via F'/G' and H'		10		7.5				ns
Hold Time after Clock K								
F/G inputs	$T_{CKI}$	0		0				ns
F/G inputs via H'	$T_{CKIH}$	0		0				ns
C inputs via H1	$T_{CKHH}$	0		0				ns
C inputs via DIN	$T_{CKDI}$	0		0				ns
C inputs via EC	$T_{CKEC}$	0		0				ns
C inputs via S/R, going Low (inactive)	$T_{CKR}$	0		0				ns
Clock								
Clock Hightime	$T_{CH}$	5		4.5				ns
Clock Low time	$T_{CL}$	5		4.5				ns
Set/Reset Direct								
Width (High)	$T_{RPW}$	5		4				ns
Delay from C to Q	$T_{RIO}$		9		8			ns
Master Set/Reset*								
Width (High or Low)	$T_{MRW}$	21		18				ns
Delay from Global Set/Reset net to Q	$T_{MRQ}$		33		31			ns

\* Timing is based on the XC4005H. For other devices see XACT timing calculator.

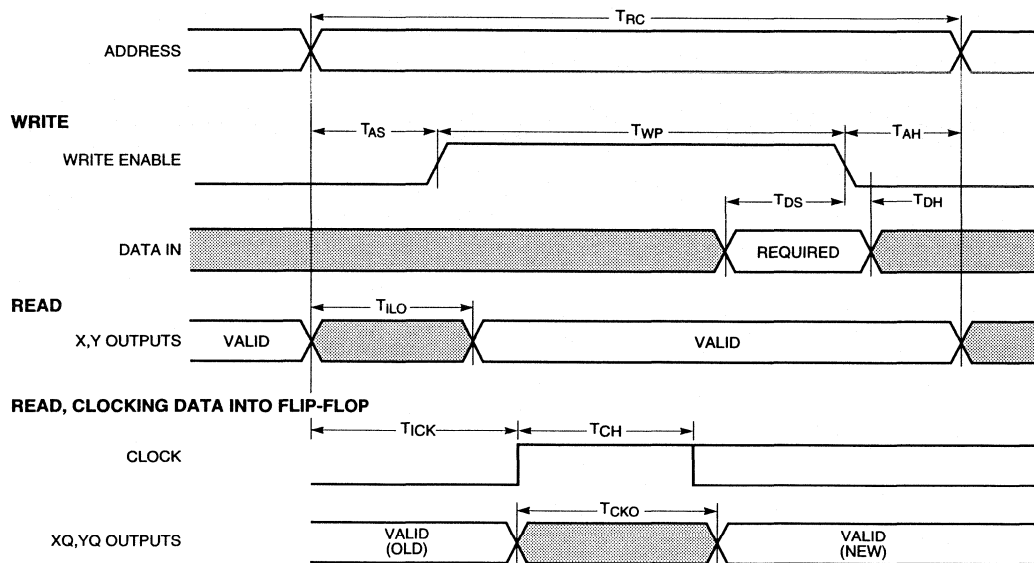
## Preliminary CLB Switching Characteristic Guidelines (continued)

Testing of the switching parameters is modeled after testing methods specified by MIL-M-38510/605. All devices are 100% functionally tested. Since many internal timing parameters cannot be measured directly, they are derived from benchmark timing patterns. The following guidelines reflect worst-case values over the recommended operating conditions. For more detailed, more precise, and more up-to-date timing information, use the values provided by the XACT timing calculator and used in the simulator.

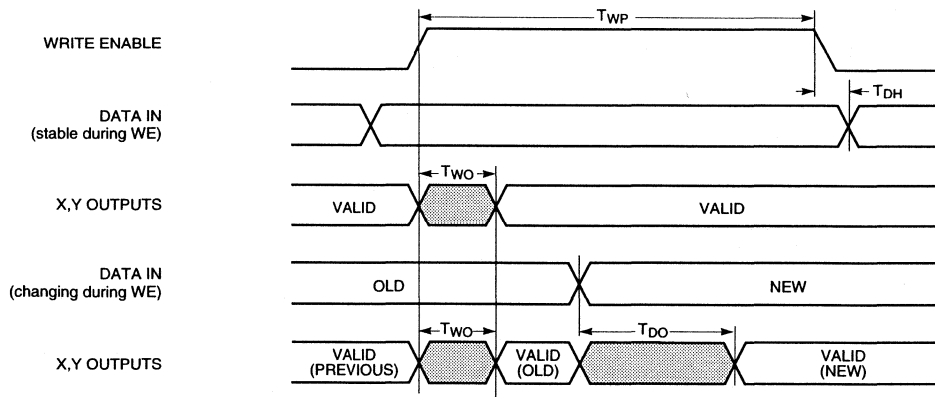
CLB RAM Option	Speed Grade		-6		-5				Units
			Min	Max	Min	Max	Min	Max	
Description	Symbol		Min	Max	Min	Max	Min	Max	Units
Write Operation									
Address write cycle time	16 x 2	$T_{WC}$	9		8				ns
	32 x 1	$T_{WCT}$	9		8				ns
Write Enable pulse width (High)	16 x 2	$T_{WP}$	5		4				ns
	32 x 1	$T_{WPT}$	5		4				ns
Address set-up time before beginning of WE	16 x 2	$T_{AS}$	2		2				ns
	32 x 1	$T_{AST}$	2		2				ns
Address hold time after end of WE	16 x 2	$T_{AH}$	2		2				ns
	32 x 1	$T_{AHT}$	2		2				ns
DIN set-up time before end of WE	16 x 2	$T_{DS}$	4		4				ns
	32 x 1	$T_{DST}$	5		5				ns
DIN hold time after end of WE	both	$T_{DHT}$	2		2				ns
Read Operation									
Address read cycle time	16 x 2	$T_{RC}$	7		5.5				ns
	32 x 1	$T_{RCT}$	10		7.5				ns
Data valid after address change (no Write Enable)	16 x 2	$T_{ILO}$		6		4.5			ns
	32 x 1	$T_{IHO}$		8		7			ns
Read Operation, Clocking Data into Flip-Flop									
Address setup time before clock K	16 x 2	$T_{ICK}$	6		4.5				ns
	32 x 1	$T_{IHCK}$	8		6				ns
Read During Write									
Data valid after WE going active (DIN stable before WE)	16 x 2	$T_{WO}$		12		10			ns
	32 x 1	$T_{WOT}$		15		12			ns
Data valid after DIN (DIN change during WE)	16 x 2	$T_{DO}$		11		9			ns
	32 x 1	$T_{DOT}$		14		11			ns
Read During Write, Clocking Data into Flip-Flop									
WE setup time before clock K	16 x 2	$T_{WCK}$	12		10				ns
	32 x 1	$T_{WCKT}$	15		12				ns
Data setup time before clock K	16 x 2	$T_{DCK}$	11		9				ns
	32 x 1	$T_{DCKT}$	14		11				ns

Note: Timing for the 16 x 1 RAM option is identical to 16 x 2 RAM timing

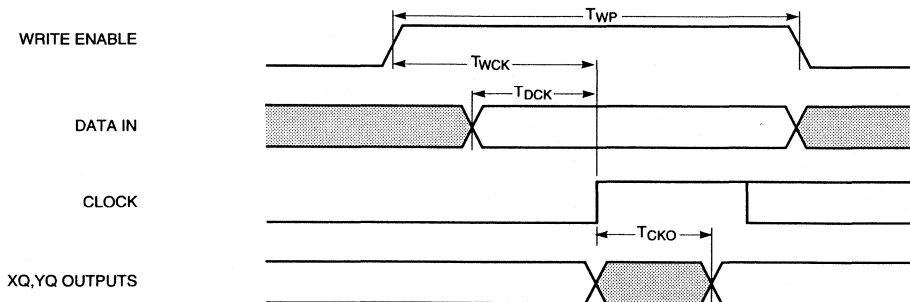
CLB RAM Timing Characteristics



READ DURING WRITE



READ DURING WRITE, CLOCKING DATA INTO FLIP-FLOP





## Preliminary IOB Switching Characteristic Guidelines

Testing of the switching parameters is modeled after testing methods specified by MIL-M-38510/605. All devices are 100% functionally tested. Since many internal timing parameters cannot be measured directly, they are derived from benchmark timing patterns. The following guidelines reflect worst-case values over the recommended operating conditions. For more detailed, more precise, and more up-to-date timing information, use the values provided by the XACT timing calculator and used in the simulator.

### Inputs

Description	Symbol	-6		-5				Units
		Min	Max	Min	Max	Min	Max	
Propagation Delays from CMOS or TTL Levels Pad to I1, I2	$T_{PID}$		4.0		3.0			ns

### Outputs

Description	Symbol	-6		-5				Units
		Min	Max	Min	Max	Min	Max	
Propagation Delays to TTL Levels								
Output (O) to Pad (Resistive Mode)	$T_{OPR}$		9.5		7.5			ns
Output (O) to Pad (Capacitive Mode)	$T_{OPC}$		10.5		8.0			ns
3-state to Pad begin hi-Z (Resistive Mode)	$T_{TSHZR}$		10.5		8.5			ns
3-state to Pad begin hi-Z (Capacitive Mode)	$T_{TSHZC}$		8.0		6.5			ns
3-state to Pad active and valid (Resistive Mode)	$T_{TSO NR}$		14.0		11.0			ns
3-state to Pad active and valid (Capacitive Mode)	$T_{TSO NC}$		16.0		12.0			ns
Propagation Delays to CMOS Levels								
Output (O) to Pad (Resistive Mode)	$T_{OPR}$		9.5		7.5			ns
Output (O) to Pad (Capacitive Mode)	$T_{OPC}$		9.0		7.0			ns
3-state to Pad begin hi-Z (Resistive Mode)	$T_{TSHZR}$		10.5		8.5			ns
3-state to Pad begin hi-Z (Capacitive Mode)	$T_{TSHZC}$		8.0		6.5			ns
3-state to Pad active and valid (Resistive Mode)	$T_{TSO NR}$		14.0		11.0			ns
3-state to Pad active and valid (Capacitive Mode)	$T_{TSO NC}$		14.0		11.0			ns

Notes: 1. Timing is measured at pin threshold, with 50 pF external capacitive loads (incl. test fixture).

2. Output delays change with capacitive loading as described in the following table.

	TTL Levels	CMOS Levels	Units
Resistive Mode	0.03	0.03	ns/pF
Capacitive Mode	0.04	0.03	ns/pF

3. Voltage levels of unused (bonded and unbonded) pads must be valid logic levels. Each can be configured with the internal pull-up or pull-down resistor, or alternatively, configured as a driven output or be driven from an external source.

XC4003H Pinouts

Pin Description	PG191	PQ208	Bound Scan
VCC	J4	183	-
I/O (A8)	J3	184	62
I/O (A9)	J2	185	65
I/O	J1	186	68
I/O	H1	187	71
I/O	H2	188	74
I/O	H3	189	77
I/O (A10)	G1	190	80
I/O (A11)	G2	191	83
I/O	F1	192	86
I/O	E1	193	89
GND	G3	194	-
I/O	F2	195	92
I/O	D1	196	95
I/O	C1	197	98
I/O	E2	198	101
I/O (A12)	F3	199	104
I/O (A13)	D2	200	107
I/O	B1	201	110
I/O	E3	202	113
I/O (A14)	C2	203	116
SGCK1 (A15, I/O)	B2	204	119
VCC	D3	205	-
-	-	206*	-
-	-	207*	-
-	-	208*	-
-	-	1*	-
GND	D4	2	-
-	-	3*	-
PGCK1 (A16, I/O)	C3	4	122
I/O (A17)	C4	5	125
I/O	B3	6	128
I/O	C5	7	131
I/O (TDI)	A2	8	134
I/O (TCK)	B4	9	137
I/O	C6	10	140
I/O	A3	11	143
I/O	B5	12	146
I/O	B6	13	149
GND	C7	14	-
I/O	A4	15	152
I/O	A5	16	155
I/O (TMS)	B7	17	158
I/O	A6	18	161
I/O	C8	19	164
I/O	A7	20	167
I/O	B8	21	170
I/O	A8	22	173
I/O	B9	23	176
I/O	C9	24	179
GND	D9	25	-
VCC	D10	26	-

Pin Description	PG191	PQ208	Bound Scan
I/O	C10	27	182
I/O	B10	28	185
I/O	A9	29	188
I/O	A10	30	191
I/O	A11	31	194
I/O	C11	32	197
I/O	B11	33	200
I/O	A12	34	203
I/O	B12	35	206
I/O	A13	36	209
GND	C12	37	-
I/O	B13	38	212
I/O	A14	39	215
I/O	A15	40	218
I/O	C13	41	221
I/O	B14	42	224
I/O	A16	43	227
I/O	B15	44	230
I/O	C14	45	233
I/O	A17	46	236
SGCK2 (I/O)	B16	47	239
M1	C15	48	242
GND	D15	49	-
M0	A18	50	245†
-	-	51*	-
-	-	52*	-
-	-	53*	-
-	-	54*	-
VCC	D16	55	-
M2	C16	56	246†
PGCK2 (I/O)	B17	57	247
I/O (HDC)	E16	58	250
I/O	C17	59	253
I/O	D17	60	256
I/O	B18	61	259
I/O (LDC)	E17	62	262
I/O	F16	63	265
I/O	C18	64	268
I/O	D18	65	271
I/O	F17	66	274
GND	G16	67	-
I/O	E18	68	277
I/O	F18	69	280
I/O	G17	70	283
I/O	G18	71	286
I/O	H16	72	289
I/O	H17	73	292
I/O	H18	74	295
I/O	J18	75	298
I/O	J17	76	301
I/O (ERR, INIT)	J16	77	304
VCC	J15	78	-

Pin Description	PG191	PQ208	Bound Scan
GND	K15	79	-
I/O	K16	80	307
I/O	K17	81	310
I/O	K18	82	313
I/O	L18	83	316
I/O	L17	84	319
I/O	L16	85	322
I/O	M18	86	325
I/O	M17	87	328
I/O	N18	88	331
I/O	P18	89	334
GND	M16	90	-
I/O	N17	91	337
I/O	R18	92	340
I/O	T18	93	343
I/O	P17	94	346
I/O	N16	95	349
I/O	T17	96	352
I/O	R17	97	355
I/O	P16	98	358
I/O	U18	99	361
SGCK3 (I/O)	T16	100	364
GND	R16	101	-
-	-	102*	-
DONE	U17	103	-
-	-	104*	-
-	-	105*	-
VCC	R15	106	-
-	-	107*	-
PROG	V18	108	-
I/O (D7)	T15	109	367
PGCK3 (I/O)	U16	110	370
I/O	T14	111	373
I/O	U15	112	376
I/O (D6)	V17	113	379
I/O	V16	114	382
I/O	T13	115	385
I/O	U14	116	388
I/O	V15	117	391
I/O	V14	118	394
GND	T12	119	-
I/O	U13	120	397
I/O	V13	121	400
I/O (D5)	U12	122	403
I/O (CS0)	V12	123	406
I/O	T11	124	409
I/O	U11	125	412
I/O	V11	126	415
I/O	V10	127	418
I/O (D4)	U10	128	421
I/O	T10	129	424
VCC	R10	130	-

Pin Description	PG191	PQ208	Bound Scan
GND	R9	131	-
I/O (D3)	T9	132	427
I/O (RS)	U9	133	430
I/O	V9	134	433
I/O	V8	135	436
I/O	U8	136	439
I/O	T8	137	442
I/O (D2)	V7	138	445
I/O	U7	139	448
I/O	V6	140	451
I/O	U6	141	454
GND	T7	142	-
I/O	V5	143	457
I/O	V4	144	460
I/O	U5	145	463
I/O	T6	146	466
I/O (D1)	V3	147	469
I/O (RCLK-BUSY/RDY)	V2	148	472
I/O	U4	149	475
I/O	T5	150	478
I/O (D0, DIN)	U3	151	481
SGCK4 (DOUT, I/O)	T4	152	484
CLK	V1	153	-
VCC	R4	154	-
-	-	155*	-
-	-	156*	-
-	-	157*	-
-	-	158*	-
TDO	U2	159	-
GND	R3	160	-
I/O (A0, WS)	T3	161	2
PGCK4 (I/O, A1)	U1	162	5
I/O	P3	163	8
I/O	R2	164	11
I/O (CS1, A2)	T2	165	14
I/O (A3)	N3	166	17
I/O	P2	167	20
I/O	T1	168	23
I/O	R1	169	26
I/O	N2	170	29
GND	M3	171	-
I/O	P1	172	32
I/O	N1	173	35
I/O (A4)	M2	174	38
I/O (A5)	M1	175	41
I/O	L3	176	44
I/O	L2	177	47
I/O	L1	178	50
I/O	K1	179	53
I/O (A6)	K2	180	56
I/O (A7)	K3	181	59
GND	K4	182	-

\* Indicates unconnected package pins.

† Contributes only one bit (i) to the boundary scan register.

Boundary Scan Bit 0 = TDO.T

Boundary Scan Bit 1 = TDO.O

Boundary Scan Bit 487 = BSCANT.UPD

### XC4005H Pinouts

Pin Description	PG223	MQ240	Bound Scan	Pin Description	PG223	MQ240	Bound Scan	Pin Description	PG223	MQ240	Bound Scan	Pin Description	PG223	MQ240	Bound Scan
VCC	J4	212	-	I/O	B10	32	221	I/O	K15	92	367	I/O (D3)	T9	152	511
I/O (A8)	J3	213	74	I/O	A9	33	224	I/O	K17	93	370	I/O (RS)	U9	153	514
I/O (A9)	J2	214	77	I/O	A10	34	227	I/O	K18	94	373	I/O	V9	154	517
I/O	J1	215	80	I/O	A11	35	230	I/O	L18	95	376	I/O	V8	155	520
I/O	H1	216	83	I/O	C11	36	233	I/O	L17	96	379	I/O	U8	156	523
I/O	H2	217	86	<b>GND</b>	-	37	-	I/O	L16	97	382	I/O	T8	157	526
I/O	H3	218	89	I/O	D11	38	236	<b>GND</b>	-	98	-	<b>GND</b>	-	158	-
<b>GND</b>	-	219	-	I/O	D12	39	239	I/O	-	99	-	I/O (D2)	V7	159	529
I/O (A10)	G1	220	92	<b>VCC</b>	-	40	-	I/O	M15	100	388	I/O	U7	160	532
I/O (A11)	G2	221	95	I/O	B11	41	242	<b>VCC</b>	-	101	-	<b>VCC</b>	-	161	-
<b>VCC</b>	-	222	-	I/O	A12	42	245	I/O	M18	102	-	I/O	-	162	-
I/O	H4	223	98	I/O	B12	43	248	I/O	M17	103	394	I/O	U6	163	538
I/O	G4	224	101	I/O	A13	44	251	I/O	N18	104	397	I/O	R8	164	541
I/O	F1	225	104	<b>GND</b>	C12	45	-	I/O	P18	105	400	I/O	R7	165	544
I/O	E1	226	107	I/O	D13	46	254	<b>GND</b>	M16	106	-	<b>GND</b>	T7	166	-
<b>GND</b>	G3	227	-	I/O	D14	47	257	I/O	N15	107	-	I/O	R6	167	-
I/O	F2	228	110	I/O	B13	48	260	I/O	P15	108	406	I/O	R5	168	550
I/O	D1	229	113	I/O	A14	49	263	I/O	N17	109	409	I/O	V5	169	553
I/O	C1	230	116	I/O	A15	50	266	I/O	R18	110	412	I/O	V4	170	556
I/O	E2	231	119	I/O	C13	51	269	I/O	T18	111	415	I/O	U5	171	559
I/O (A12)	F3	232	122	I/O	B14	52	272	I/O	P17	112	418	I/O	T6	172	562
I/O (A13)	D2	233	125	I/O	A16	53	275	I/O	N16	113	421	I/O (D1)	V3	173	565
I/O	F4	234	128	I/O	B15	54	278	I/O	T17	114	424	I/O (RCLK-BUSV/RDV)	U2	174	568
I/O	E4	235	131	I/O	C14	55	281	I/O	R17	115	427	I/O	U4	175	571
I/O	B1	236	134	I/O	A17	56	284	I/O	P16	116	430	I/O	T5	176	574
I/O	E3	237	137	<b>SGCK2 (I/O)</b>	B16	57	287	I/O	U18	117	433	I/O (D0, DIN)	U3	177	577
I/O (A14)	C2	238	140	M1	C15	58	290	<b>SGCK3 (I/O)</b>	T16	118	436	<b>SGCK4 (DOUT, I/O)</b>	T4	178	580
<b>SGCK1 (A15, I/O)</b>	B2	239	143	<b>GND</b>	D15	59	-	<b>GND</b>	R16	119	-	<b>CCLK</b>	V1	179	-
<b>VCC</b>	D3	240	-	M0	A18	60	293†	<b>DONE</b>	U17	120	-	<b>VCC</b>	R4	180	-
<b>GND</b>	D4	1	-	<b>VCC</b>	D16	61	-	<b>VCC</b>	R15	121	-	<b>TDO</b>	U2	181	-
<b>PGCK1 (A16, I/O)</b>	C3	2	146	M2	C16	62	294†	<b>PROG</b>	V18	122	-	<b>GND</b>	R3	182	-
I/O (A17)	C4	3	149	<b>PGCK2 (I/O)</b>	B17	63	295	I/O (D7)	T15	123	439	I/O (A0, WS)	T3	183	2
I/O	B3	4	152	I/O (HDC)	E16	64	298	<b>PGCK3 (I/O)</b>	U16	124	442	<b>PGCK4 (I/O, A1)</b>	U1	184	5
I/O	C5	5	155	I/O	C17	65	301	I/O	T14	125	445	I/O	P3	185	8
I/O (TDI)	A2	6	158	I/O	D17	66	304	I/O	U15	126	448	I/O	R2	186	11
I/O (TCK)	B4	7	161	I/O	B18	67	307	I/O	R14	127	451	I/O (CS1, A2)	T2	187	14
I/O	C6	8	164	I/O (LDC)	E17	68	310	I/O	R13	128	454	I/O (A3)	N3	188	17
I/O	A3	9	167	I/O	F16	69	313	I/O (D6)	V17	129	457	I/O	P4	189	20
I/O	B5	10	170	I/O	C18	70	316	I/O	V16	130	460	I/O	N4	190	23
I/O	B6	11	173	I/O	D18	71	319	I/O	T13	131	463	I/O	P2	191	26
I/O	D5	12	176	I/O	F17	72	322	I/O	U14	132	466	I/O	T1	192	29
I/O	D6	13	179	I/O	E15	73	325	I/O	V15	133	469	I/O	R1	193	32
<b>GND</b>	C7	14	-	I/O	F15	74	328	I/O	V14	134	472	I/O	N2	194	35
I/O	A4	15	182	<b>GND</b>	G16	75	-	<b>GND</b>	T12	135	-	-	-	195*	-
I/O	A5	16	185	I/O	E18	76	331	I/O	R12	136	-	<b>GND</b>	M3	196	-
I/O (TMS)	B7	17	188	I/O	F18	77	334	I/O	R11	137	478	I/O	P1	197	38
I/O	A6	18	191	I/O	G17	78	337	I/O	U13	138	481	I/O	N1	198	41
<b>VCC</b>	-	19	-	I/O	G18	79	340	I/O	V13	139	484	I/O	M4	199	44
I/O	D7	20	194	<b>VCC</b>	-	80	-	<b>VCC</b>	-	140	-	I/O	L4	200	47
I/O	D8	21	197	I/O	H16	81	343	I/O (D5)	-	141	-	<b>VCC</b>	-	201	-
<b>GND</b>	-	22	-	I/O	H17	82	346	I/O (CS0)	V12	142	490	I/O (A4)	-	202	-
I/O	C8	23	200	<b>GND</b>	-	83	-	<b>GND</b>	-	143	-	I/O (A5)	M1	203	53
I/O	A7	24	203	I/O	G15	84	349	I/O	-	144	-	<b>GND</b>	-	204	-
I/O	B8	25	206	I/O	H15	85	352	I/O	U11	145	496	I/O	-	205	-
I/O	A8	26	209	I/O	H18	86	355	I/O	V11	146	499	I/O	L2	206	59
I/O	B9	27	212	I/O	J18	87	358	I/O	V10	147	502	I/O	L1	207	62
I/O	C9	28	215	I/O	J17	88	361	I/O (D4)	U10	148	505	I/O	K1	208	65
<b>GND</b>	D9	29	-	I/O (ERR, INIT)	J16	89	364	I/O	T10	149	508	I/O (A6)	K2	209	68
<b>VCC</b>	D10	30	-	<b>VCC</b>	J15	90	-	<b>VCC</b>	R10	150	-	I/O (A7)	K3	210	71
I/O	C10	31	218	<b>GND</b>	K15	91	-	<b>GND</b>	R9	151	-	<b>GND</b>	K4	211	-

\* Indicates unconnected package pins.

† Contributes only one bit (.1) to the boundary scan register.

Boundary Scan Bit 0 = TDO.T

Boundary Scan Bit 1 = TDO.O

Boundary Scan Bit 583 = BSCANT.UPD

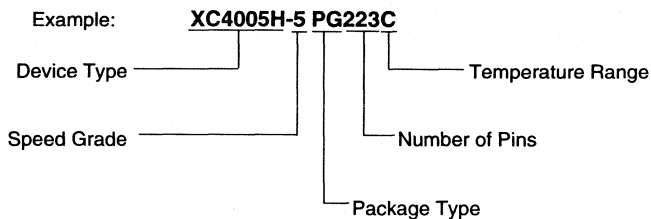
For a detailed description of the device architecture, see page 2-9.

For a detailed description of the configuration modes and their timing, see pages 2-32 through 2-55.

For detailed lists of package pinouts, see pages 2-94 through 2-95.

For package physical dimensions, see Section 4.

**Ordering Information**



**Component Availability**

PINS	84		100		120	144	156	160	164	191	196	208		223	240	
	PLAST. PLCC	PLAST. PQFP	PLAST. VQFP	TOP BRAZED COFP	CERAM. PGA	PLAST. TQFP	CERAM. PGA	PLAST. PQFP	TOP BRAZED COFP	CERAM. PGA	TOP BRAZED COFP	PLAST. PQFP	METAL PQFP	CERAM. PGA	PLAST. PQFP	METAL PQFP
CODE	PC84	PQ100	VQ100	CB100	PG120	TQ144	PG156	PQ160	CB164	PG191	CB196	PQ208	MQ208	PG223	PQ240	MQ240
XC4003H	-6															
	-5															
	-4															
XC4005H	-6															
	-5															
	-4															

C = Commercial = 0° to +70° C    I = Industrial = -40° to +85° C    M = Mil Temp = -55° to +125° C  
 B = MIL-STD-883C Class B    Parentheses indicates future product plans



# XC3000 Logic Cell Array Families

## Table of Contents

Overview .....	2-98	XC3000A Logic Cell Array Family .....	2-153
XC3000, XC3000A, XC3000L, XC3100		Absolute Maximum Ratings .....	2-154
Logic Cell Array Families .....	2-99	Operating Conditions .....	2-154
Architecture .....	2-100	DC Characteristics .....	2-155
Programmable Interconnect .....	2-105	Switching Characteristic Guidelines	
Crystal Oscillator .....	2-111	CLB .....	2-156
Programming .....	2-112	Buffer .....	2-156
Special Configuration Functions .....	2-116	IOB .....	2-158
Master Serial Mode .....	2-118	Ordering Information .....	2-160
Master Serial Mode Programming		Component Availability .....	2-160
Switching Characteristics .....	2-119	XC3000L Low Voltage Logic Cell Array Family ....	2-161
Master Parallel Mode .....	2-120	Absolute Maximum Ratings .....	2-162
Master Parallel Mode Programming		Operating Conditions .....	2-162
Switching Characteristics .....	2-121	DC Characteristics .....	2-163
Peripheral Mode .....	2-122	Switching Characteristic Guidelines	
Peripheral Mode Programming		CLB .....	2-164
Switching Characteristics .....	2-123	Buffer .....	2-164
Slave Serial Mode .....	2-124	IOB .....	2-166
Slave Serial Mode Programming		Ordering Information .....	2-168
Switching Characteristics .....	2-125	Component Availability .....	2-168
Program Readback Switching		XC3100 Logic Cell Array Family .....	2-169
Characteristics .....	2-125	Absolute Maximum Ratings .....	2-170
General LCA Switching Characteristics .....	2-126	Operating Conditions .....	2-170
Performance .....	2-127	DC Characteristics .....	2-171
Power .....	2-128	Switching Characteristic Guidelines	
Pin Descriptions .....	2-130	CLB .....	2-172
Configuration Pin Assignments .....	2-132	Buffer .....	2-172
XC3000 Families Pin Assignments .....	2-133	IOB .....	2-174
XC3000 Families Pinouts .....	2-133	Ordering Information .....	2-176
Component Availability .....	2-143	Component Availability .....	2-176
Ordering Information .....	2-144		
XC3000 Logic Cell Array Family .....	2-145		
Absolute Maximum Ratings .....	2-146		
Operating Conditions .....	2-146		
DC Characteristics .....	2-147		
Switching Characteristic Guidelines			
CLB .....	2-148		
Buffer .....	2-148		
IOB .....	2-150		
Ordering Information .....	2-152		
Component Availability .....	2-152		

---

## Overview

Introduced in 1987/88, XC3000 is the industry's most successful family of FPGAs, with over 10 million devices shipped. In 1992/93, Xilinx introduced three additional families, offering more speed, functionality, and a new supply-voltage option.

There are now four distinct family groupings within the XC3000 class of LCA devices.

- XC3000 Family
- XC3000A Family
- XC3000L Family
- XC3100 Family

All four families share a common architecture, development software, design and programming methodology, and also common package pin-outs. An extensive Product Description covers these common aspects. (Page 2-99).

The much shorter individual Product Specifications then provide detailed parametric information for the four individual product families.

Here is a simple overview.

### XC3000 Family

The basic XC3000 family forms the cornerstone for the rest of the XC3000 class of devices. The basic XC3000 family offers five different device densities with guaranteed toggle rates from 70 to 125 MHz.

### XC3000A Family

The XC3000A is an enhanced version of the basic XC3000 family, featuring additional interconnect resources and other user-friendly enhancements. The ease-of-use of the XC3000A family makes it the obvious choice for all new designs that do not require the speed of the XC3100 or the 3-volt operation of the XC3000L.

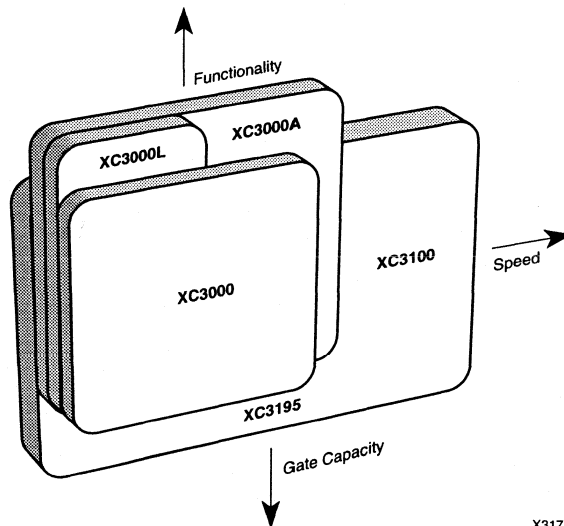
### XC3000L Family

The XC3000L is identical in architecture and features to the XC3000A family, but operates at a nominal supply voltage of 3.3 V. The XC3000L is the right solution for battery-operated and low-power applications.

### XC3100 Family

The XC3100 is a performance-optimized relative of the basic XC3000 family. While both families are bitstream and footprint compatible, the XC3100 family extends toggle rates to 270 MHz and in-system performance to 80 MHz. The XC3100 family also offers one additional array size, the XC3195. The XC3100 is best suited for designs that require the highest clock speed or the shortest net delays.

The figure below illustrates the relationships between the families. Compared to the original XC3000 family, XC3000A offers additional functionality and, coming soon, increased speed. The XC3000L family offers the same additional functionality, but reduced speed due to its lower supply voltage of 3.3 V. The XC3100 family offers no additional functionality, but substantially higher speed, and higher density with its new member, the XC3195.



X3177



# XC3000, XC3000A, XC3000L, XC3100 Logic Cell Array Families

## Product Description

### Features

- Complete line of four related Field Programmable Gate Array product families.
  - XC3000, XC3000A, XC3000L, XC3100
- Ideal for a wide range of custom VLSI design tasks
  - Replaces TTL, MSI, and other PLD logic
  - Integrates complete sub-systems into a single package
  - Avoids the NRE, time delay, and risk of conventional masked gate arrays
- High-performance CMOS static memory technology
  - Guaranteed toggle rates of 70 to 270 MHz, logic delays from 9 to 3 ns
  - System clock speeds of up to 80 MHz
  - Low quiescent and active power consumption
- Flexible FPGA architecture
  - Compatible arrays ranging from 1,300 to 9,000 gate complexity
  - Extensive register, combinatorial, and I/O capabilities
  - High fan-out signal distribution, low-skew clock nets
  - Internal 3-state bus capabilities
  - TTL or CMOS input thresholds
  - On-chip crystal oscillator amplifier
- Unlimited reprogrammability
  - Easy design iteration
  - In-system logic changes
- Extensive Packaging Options
  - Over 20 different packages
  - Plastic and ceramic surface-mount and pin-grid-array packages
  - Thin and Very Thin Quad Flat Pack (TQFP and VQFP) options
- Ready for volume production
  - Standard, off-the-shelf product availability
  - 100% factory pre-tested devices
  - Excellent reliability record

- Complete XACT Development System
  - Schematic capture, automatic place and route
  - Logic and timing simulation
  - Interactive design editor for design optimization
  - Timing calculator
  - Interfaces to popular design environments like Viewlogic, Cadence, Mentor Graphics, and others

### Description

The CMOS XC3000 Class of Logic Cell Array (LCA) families provide a group of high-performance, high-density, digital integrated circuits. Their regular, extendable, flexible, user-programmable array architecture is composed of a configuration program store plus three types of configurable elements: a perimeter of I/O Blocks (IOBs), a core array of Configurable Logic Blocks (CLBs) and resources for interconnection. The general structure of an LCA device is shown in Figure 1 on the next page. The XACT development system provides schematic capture and auto place-and-route for design entry. Logic and timing simulation, and in-circuit emulation are available as design verification alternatives. The design editor is used for interactive design optimization, and to compile the data pattern that represents the configuration program.

The LCA user logic functions and interconnections are determined by the configuration program data stored in internal static memory cells. The program can be loaded in any of several modes to accommodate various system requirements. The program data resides externally in an EEPROM, EPROM or ROM on the application circuit board, or on a floppy disk or hard disk. On-chip initialization logic provides for optional automatic loading of program data at power-up. The companion XC17XX Serial Configuration PROMs provide a very simple serial configuration program storage in a one-time programmable package.

Device	CLBs	Array	User I/Os Max	Flip-Flops	Horizontal Longlines	Configuration Data Bits
XC3020, 3020A, 3020L, 3120	64	8 x 8	64	256	16	14,779
XC3030, 3030A, 3030L, 3130	100	10 x 10	80	360	20	22,176
XC3042, 3042A, 3042L, 3142	144	12 x 12	96	480	24	30,784
XC3064, 3064A, 3064L, 3164	224	16 x 14	120	688	32	46,064
XC3090, 3090A, 3090L, 3190	320	16 x 20	144	928	40	64,160
XC3195	484	22 x 22	176	1,320	44	94,984

The XC3000 Logic Cell Array families provide a variety of logic capacities, package styles, temperature ranges and speed grades.

**Architecture**

The perimeter of configurable IOBs provides a programmable interface between the internal logic array and the device package pins. The array of CLBs performs user-specified logic functions. The interconnect resources are programmed to form networks, carrying logic signals among blocks, analogous to printed circuit board traces connecting MSI/SSI packages.

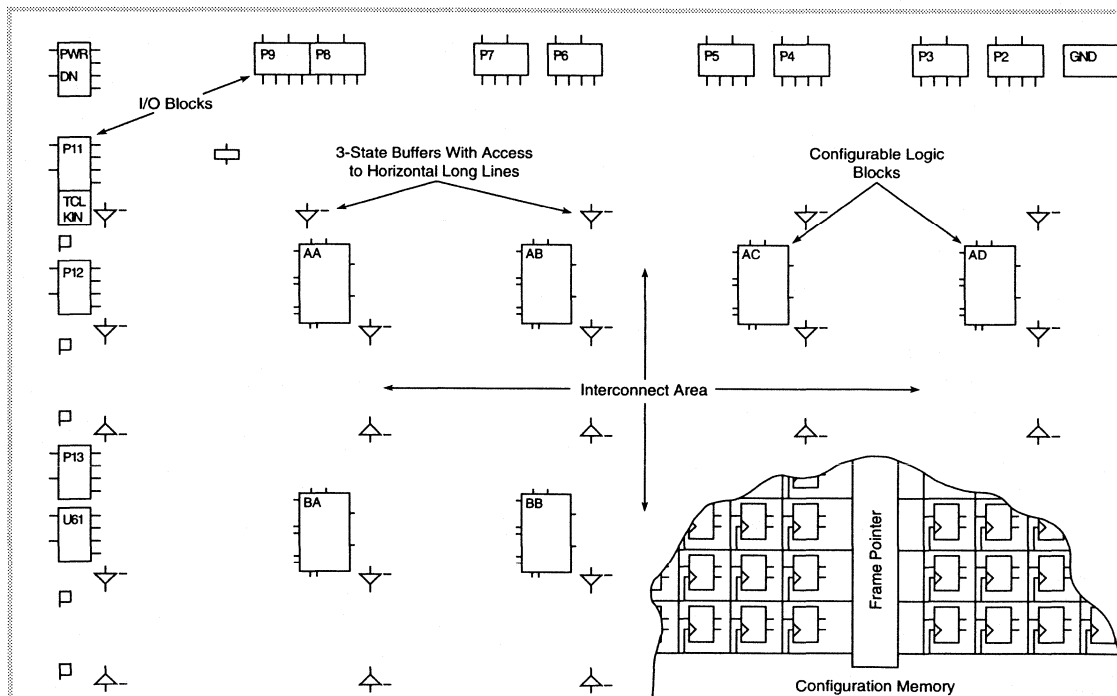
The block logic functions are implemented by programmed look-up tables. Functional options are implemented by program-controlled multiplexers. Interconnecting networks between blocks are implemented with metal segments joined by program-controlled pass transistors.

These LCA functions are established by a configuration program which is loaded into an internal, distributed array of configuration memory cells. The configuration program is loaded into the LCA device at power-up and may be reloaded on command. The Logic Cell Array includes logic and control signals to implement automatic or passive

configuration. Program data may be either bit serial or byte parallel. The XACT development system generates the configuration program bitstream used to configure the LCA device. The memory loading process is independent of the user logic functions.

**Configuration Memory**

The static memory cell used for the configuration memory in the Logic Cell Array has been designed specifically for high reliability and noise immunity. Integrity of the LCA device configuration memory based on this design is assured even under adverse conditions. Compared with other programming alternatives, static memory provides the best combination of high density, high performance, high reliability and comprehensive testability. As shown in Figure 2, the basic memory cell consists of two CMOS inverters plus a pass transistor used for writing and reading cell data. The cell is only written during configuration and only read during readback. During normal operation, the cell provides continuous control and the pass transistor is off and does not affect cell stability. This is quite different from the operation of conventional memory devices, in which the cells are frequently read and rewritten.



**Figure 1. Logic Cell Array Structure.**

It consists of a perimeter of programmable I/O blocks, a core of configurable logic blocks and their interconnect resources. These are all controlled by the distributed array of configuration program memory cells.

X3241





The input-buffer portion of each IOB provides threshold detection to translate external signals applied to the package pin to internal logic levels. The global input-buffer threshold of the IOBs can be programmed to be compatible with either TTL or CMOS levels. The buffered input signal drives the data input of a storage element, which may be configured as either a flip-flop or a latch. The clocking polarity (rising/falling edge-triggered flip-flop, High/Low transparent latch) is programmable for each of the two clock lines on each of the four die edges. Note that a clock line driving a *rising* edge-triggered flip-flop makes any latch driven by the same line on the same edge *Low*-level transparent and vice versa (*falling* edge, *High* transparent). All Xilinx primitives in the supported schematic-entry packages, however, are positive edge-triggered flip-flops or High transparent latches. When one clock line must drive flip-flops as well as latches, it is necessary to compensate for the difference in clocking polarities with an additional inverter either in the flip-flop clock input or the latch-enable input. I/O storage elements are reset during configuration or by the active-Low chip RESET input. Both direct input (from IOB pin I) and registered input (from IOB pin Q) signals are available for interconnect.

For reliable operation, inputs should have transition times of less than 100 ns and should not be left floating. Floating CMOS input-pin circuits might be at threshold and produce oscillations. This can produce additional power dissipation and system noise. A typical hysteresis of about 300 mV reduces sensitivity to input noise. Each user IOB includes a programmable high-impedance pull-up resistor, which may be selected by the program to provide a constant High for otherwise undriven package pins. Although the Logic Cell Array provides circuitry to provide input protection for electrostatic discharge, normal CMOS handling precautions should be observed.

Flip-flop loop delays for the IOB and logic-block flip-flops are about 3 ns. This short delay provides good performance under asynchronous clock and data conditions. Short loop delays minimize the probability of a metastable condition that can result from assertion of the clock during data transitions. Because of the short-loop-delay characteristic in the Logic Cell Array, the IOB flip-flops can be used to synchronize external signals applied to the device. Once synchronized in the IOB, the signals can be used internally without further consideration of their clock relative timing, except as it applies to the internal logic and routing-path delays.

IOB output buffers provide CMOS-compatible 4-mA source-or-sink drive for high fan-out CMOS or TTL-compatible signal levels (8 mA in the XC3100 family). The network driving IOB pin O becomes the registered or direct data source for the output buffer. The 3-state control signal

(IOB) pin FT can control output activity. An open-drain output may be obtained by using the same signal for driving the output and 3-state signal nets so that the buffer output is enabled only for a Low.

Configuration program bits for each IOB control features such as optional output register, logic signal inversion, and 3-state and slew-rate control of the output.

The program-controlled memory cells of Figure 3 control the following options.

- Logic **inversion of the output** is controlled by one configuration program bit per IOB.
- Logic **3-state control** of each IOB output buffer is determined by the states of configuration program bits which turn the buffer on, or off, or select the output buffer 3-state control interconnection (IOB pin T). When this IOB output control signal is High, a logic one, the buffer is **disabled** and the package pin is high impedance. When this IOB output control signal is Low, a logic zero, the buffer is **enabled** and the package pin is active. Inversion of the buffer 3-state control-logic sense (output enable) is controlled by an additional configuration program bit.
- **Direct or registered output** is selectable for each IOB. The register uses a positive-edge, clocked flip-flop. The clock source may be supplied (IOB pin OK) by either of two metal lines available along each die edge. Each of these lines is driven by an invertible buffer.
- Increased **output transition speed** can be selected to improve critical timing. Slower transitions reduce capacitive-load peak currents of non-critical outputs and minimize system noise.
- A high-impedance **pull-up resistor** may be used to prevent unused inputs from floating.

#### Summary of I/O Options

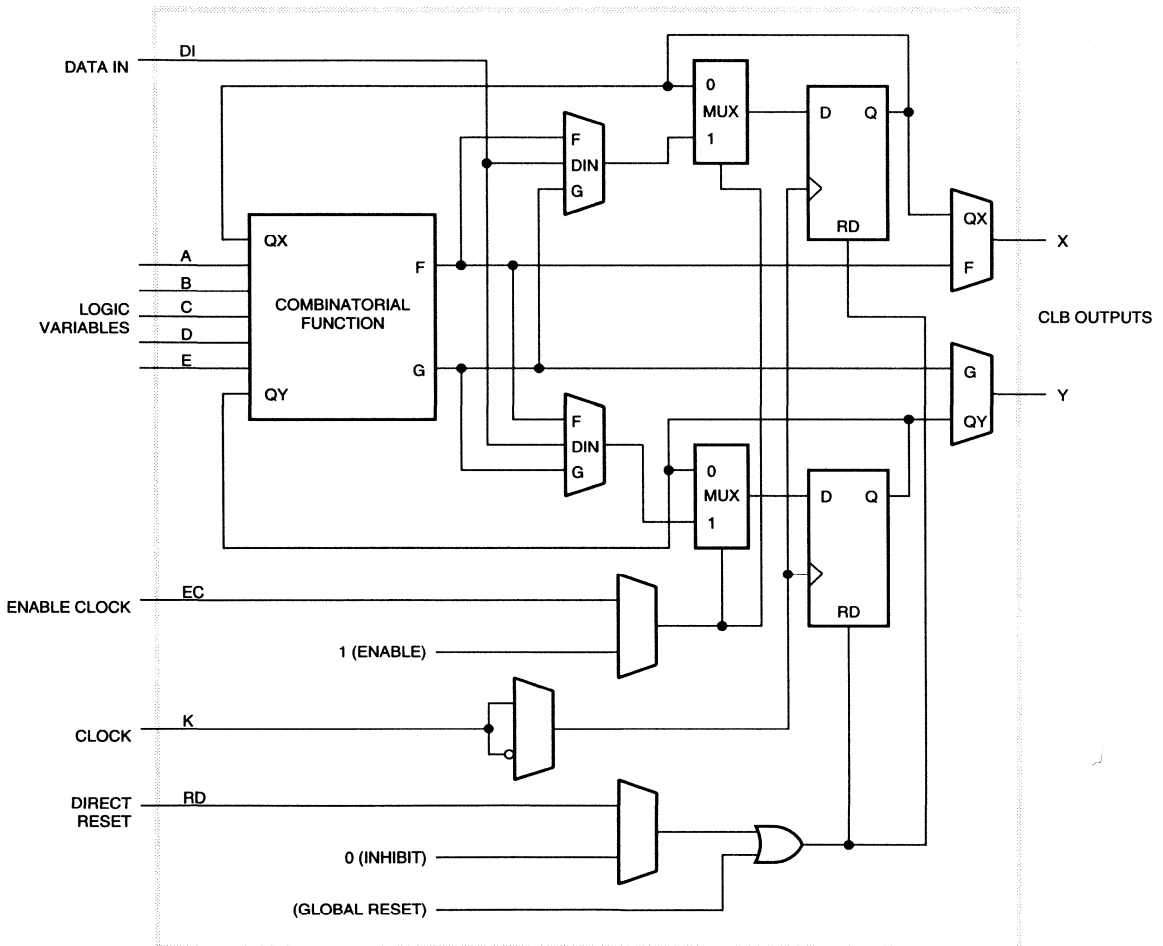
- Inputs
  - Direct
  - Flip-flop/latch
  - CMOS/TTL threshold (chip inputs)
  - Pull-up resistor/open circuit
- Outputs
  - Direct/registered
  - Inverted/not
  - 3-state/on/off
  - Full speed/slew limited
  - 3-state/output enable (inverse)

### Configurable Logic Block

The array of CLBs provides the functional elements from which the user's logic is constructed. The logic blocks are arranged in a matrix within the perimeter of IOBs. The XC3020 has 64 such blocks arranged in 8 rows and 8 columns. The XACT development system is used to compile the configuration data which is to be loaded into the internal configuration memory to define the operation and interconnection of each block. User definition of CLBs and their interconnecting networks may be done by automatic translation from a schematic-capture logic diagram or optionally by installing library or user macros.

Each CLB has a combinational logic section, two flip-flops, and an internal control section. See Figure 4. There are: five logic inputs (A, B, C, D and E); a common clock input (K); an asynchronous direct RESET input (RD); and an enable clock (EC). All may be driven from the interconnect resources adjacent to the blocks. Each CLB also has two outputs (X and Y) which may drive interconnect networks.

Data input for either flip-flop within a CLB is supplied from the function F or G outputs of the combinational logic, or the block input, DI. Both flip-flops in each CLB share the



X3032

**Figure 4. Configurable Logic Block.** Each CLB includes a combinational logic section, two flip-flops and a program memory controlled multiplexer selection of function. It has:

- five logic variable inputs A, B, C, D, and E
- a direct data in DI
- an enable clock EC
- a clock (invertible) K
- an asynchronous direct RESET RD
- two outputs X and Y

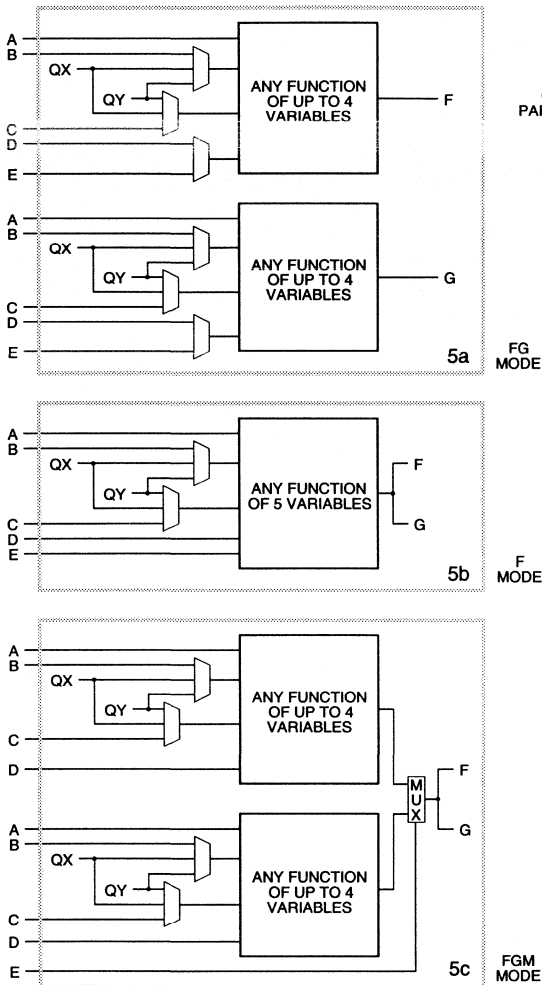


Figure 5

- 5a. Combinatorial Logic Option FG generates two functions of four variables each. One variable, A, must be common to both functions. The second and third variable can be any choice of B, C, QX and QY. The fourth variable can be any choice of D or E.
- 5b. Combinatorial Logic Option F generates any function of five variables: A, D, E and two choices out of B, C, QX, QY.
- 5c. Combinatorial Logic Option FGM allows variable E to select between two functions of four variables: Both have common inputs A and D and any choice out of B, C, QX and QY for the remaining two variables. Option 3 can then implement some functions of six or seven variables.

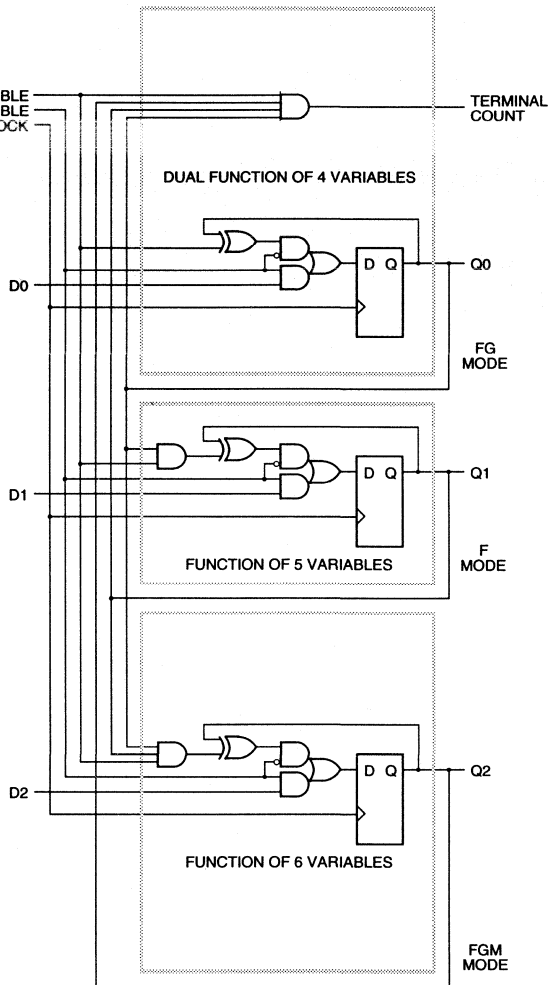


Figure 6. C8BCP Macro.

The C8BCP macro (modulo-8 binary counter with parallel enable and clock enable) uses one combinatorial logic block of each option.

1105 03A

asynchronous RD which, when enabled and High, is dominant over clocked inputs. All flip-flops are reset by the active-Low chip input, RESET, or during the configuration process. The flip-flops share the enable clock (EC) which, when Low, recirculates the flip-flops' present states and inhibits response to the data-in or combinatorial function inputs on a CLB. The user may enable these control inputs and select their sources. The user may also select the clock net input (K), as well as its active sense within each CLB. This programmable inversion eliminates the need to route both phases of a clock signal throughout the device. Flexible routing allows use of common or individual CLB clocking.

The combinatorial-logic portion of the CLB uses a 32 by 1 look-up table to implement Boolean functions. Variables selected from the five logic inputs and two internal block flip-flops are used as table address inputs. The combinatorial propagation delay through the network is independent of the logic function generated and is spike free for single input variable changes. This technique can generate two independent logic functions of up to four variables each as shown in Figure 5a, or a single function of five variables as shown in Figure 5b, or some functions of seven variables as shown in Figure 5c. Figure 6 shows a modulo-8 binary counter with parallel enable. It uses one CLB of each type. The partial functions of six or seven variables are implemented using the input variable (E) to dynamically select between two functions of four different variables. For the two functions of four variables each, the independent results (F and G) may be used as data inputs to either flip-flop or either logic block output. For the single function of five variables and merged functions of six or seven variables, the F and G outputs are identical. Symmetry of the F and G functions and the flip-flops allows the interchange of CLB outputs to optimize routing efficiencies of the networks interconnecting the CLBs and IOBs.

### Programmable Interconnect

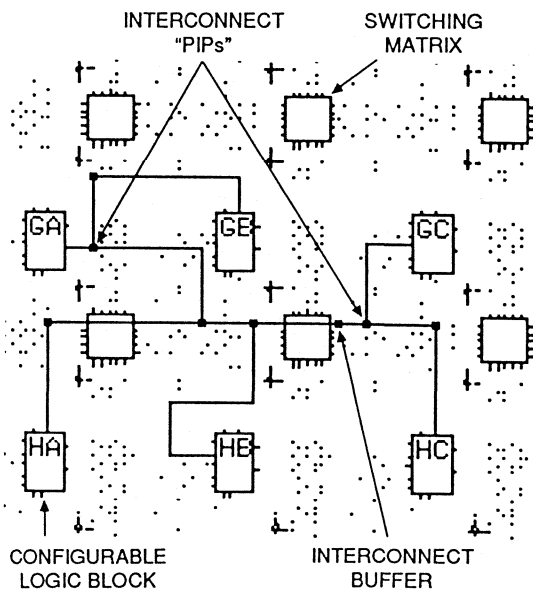
Programmable-interconnection resources in the Logic Cell Array provide routing paths to connect inputs and outputs of the IOBs and CLBs into logic networks. Interconnections between blocks are composed of a two-layer grid of metal segments. Specially designed pass transistors, each controlled by a configuration bit, form programmable interconnect points (PIPs) and switching matrices used to implement the necessary connections between selected metal segments and block pins. Figure 7 is an example of a routed net. The XACT development system provides automatic routing of these interconnections. Interactive routing (Editnet) is also available for design optimization. The inputs of the CLBs or IOBs are multiplexers which can be programmed to select an input network from the adjacent interconnect segments. *Since the*

*switch connections to block inputs are unidirectional, as are block outputs, they are usable only for block input connection and not for routing.* Figure 8 illustrates routing access to logic block input variables, control inputs and block outputs. Three types of metal resources are provided to accommodate various network interconnect requirements.

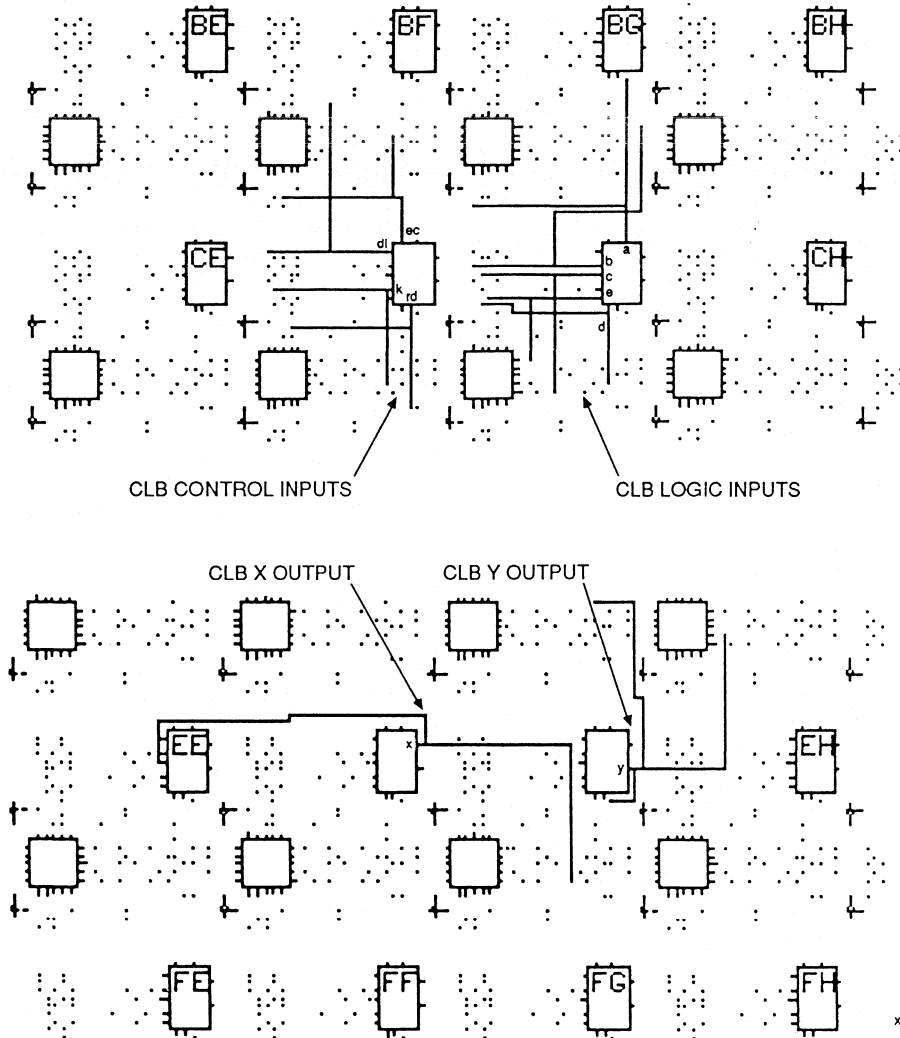
- General Purpose Interconnect
- Direct Connection
- Longlines (multiplexed busses and wide AND gates)

### General Purpose Interconnect

General purpose interconnect, as shown in Figure 9, consists of a grid of five horizontal and five vertical metal segments located between the rows and columns of logic and IOBs. Each segment is the height or width of a logic block. Switching matrices join the ends of these segments and allow programmed interconnections between the metal grid segments of adjoining rows and columns. The switches of an unprogrammed device are all non-conducting. The connections through the switch matrix may be established by the automatic routing or by using Editnet to select the desired pairs of matrix pins to be connected or disconnected. The legitimate switching matrix combinations for each pin are indicated in Figure 10 and may be highlighted by the use of the Show-Matrix command in the XACT system.



**Figure 7.**  
An XACT view of routing resources used to form a typical interconnection network from CLB GA.

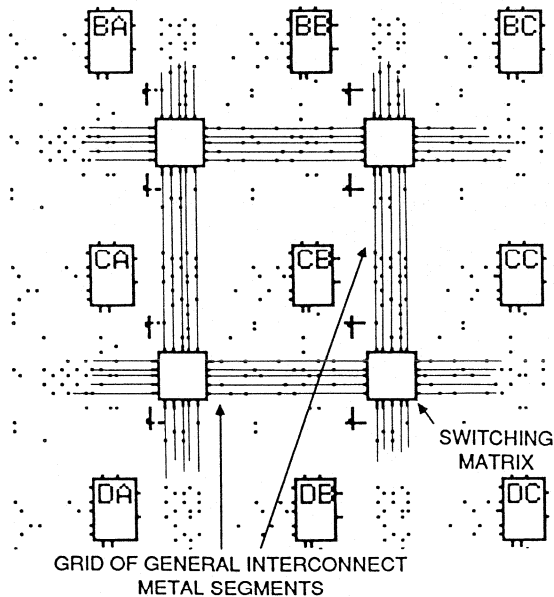


x1198

**Figure 8. XACT Development System** Locations of interconnect access, CLB control inputs, logic inputs and outputs. The dot pattern represents the available programmable interconnection points (PIPs).

Some of the interconnect PIPs are directional. This is indicated on the XACT design editor status line:

- ND is a nondirectional interconnection.
- D:H->V is a PIP that drives from a horizontal to a vertical line.
- D:V->H is a PIP that drives from a vertical to a horizontal line.
- D:C->T is a "T" PIP that drives from a cross of a T to the tail.
- D:CW is a corner PIP that drives in the clockwise direction.
- P0 indicates the PIP is non-conducting, P1 is on.

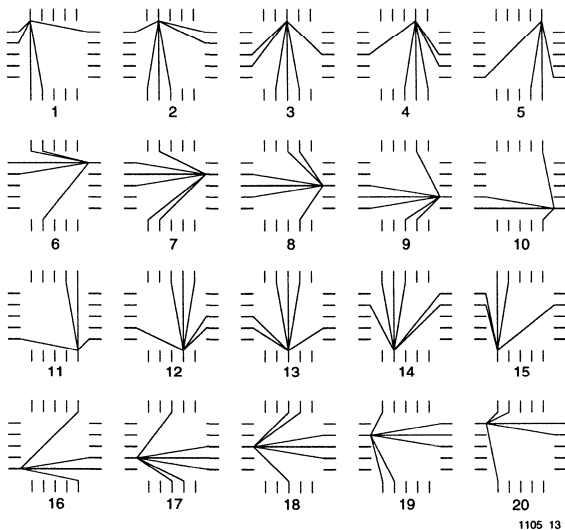


**Figure 9. LCA General-Purpose Interconnect.** Composed of a grid of metal segments that may be interconnected through switch matrices to form networks for CLB and IOB inputs and outputs. X2864

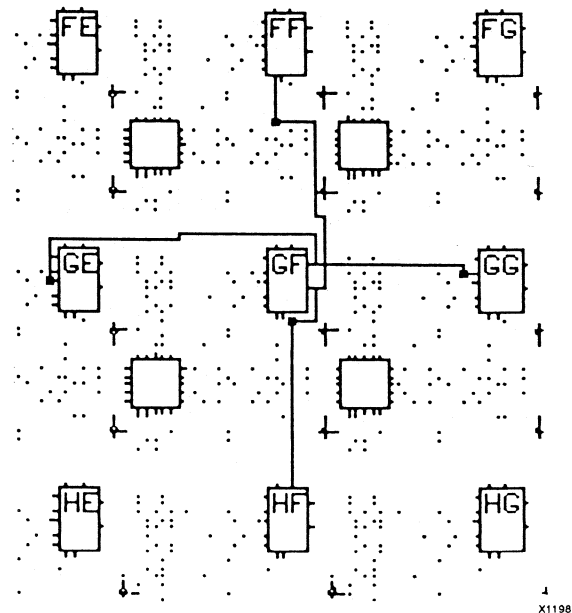
Special buffers within the general interconnect areas provide periodic signal isolation and restoration for improved performance of lengthy nets. The interconnect buffers are available to propagate signals in either direction on a given general interconnect segment. These bidirectional (bidi) buffers are found adjacent to the switching matrices, above and to the right and may be highlighted by the use of the Show BIDI command in the XACT system. The other PIPs adjacent to the matrices are accessed to or from Longlines. The development system automatically defines the buffer direction based on the location of the interconnection network source. The delay calculator of the XACT development system automatically calculates and displays the block, interconnect and buffer delays for any paths selected. Generation of the simulation netlist with a worst-case delay model is provided by an XACT option.

**Direct Interconnect**

Direct interconnect, shown in Figure 11, provides the most efficient implementation of networks between adjacent CLBs or I/O Blocks. Signals routed from block to block using the direct interconnect exhibit minimum interconnect propagation and use no general interconnect resources. For each CLB, the X output may be connected directly to the B input of the CLB immediately to its right and to the C input of the CLB to its left. The Y output can use direct interconnect to drive the D input of the block immediately above and the A input of the block below. Direct intercon-



**Figure 10. Switch Matrix Interconnection Options for Each Pin.** Switch matrices on the edges are different. Use Show Matrix menu option in the XACT system



**Figure 11. CLB X and Y Outputs.** The X and Y outputs of each CLB have single contact, direct access to inputs of adjacent CLBs

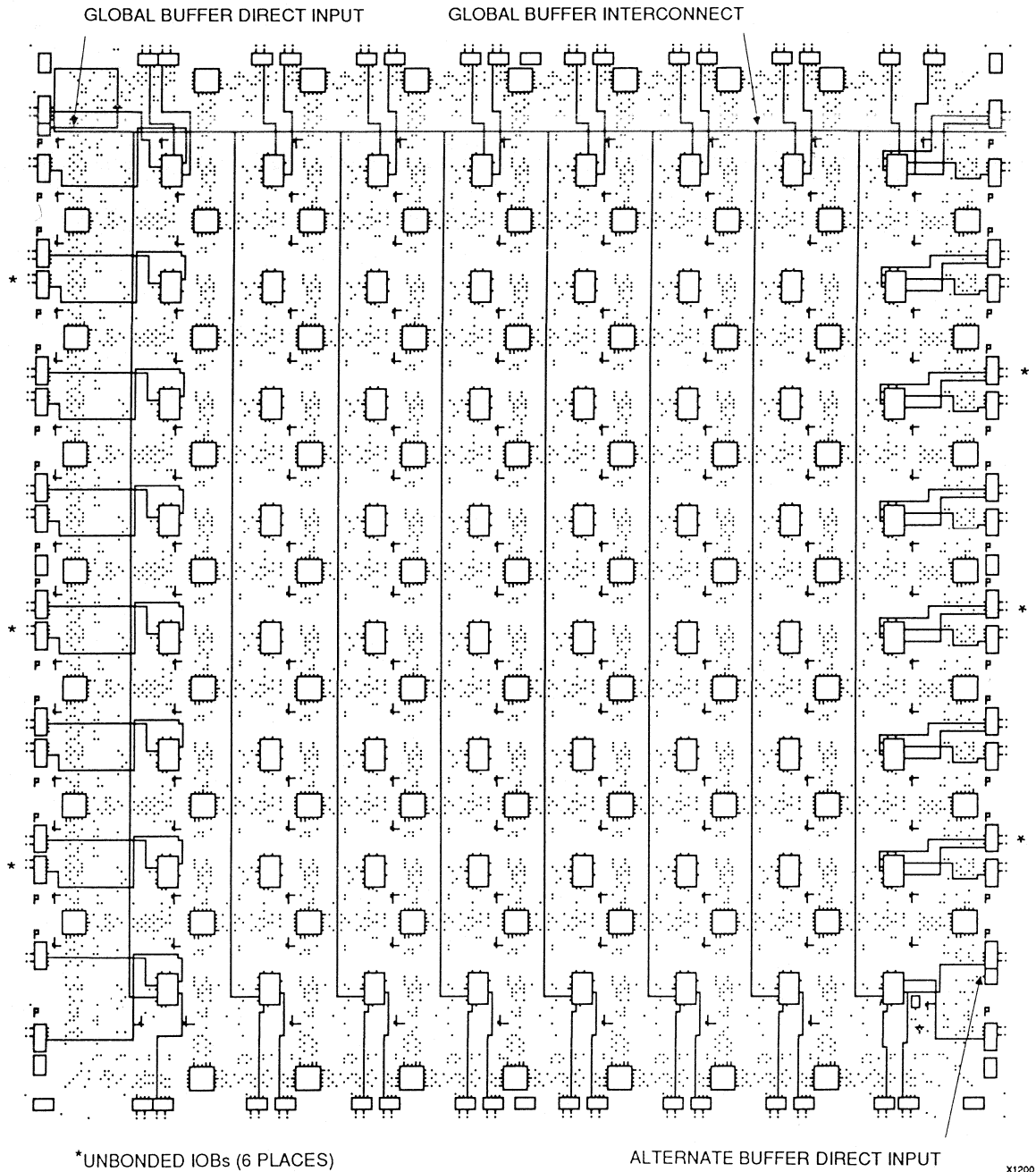


Figure 12. XC3020 Die-Edge IOBs. The XC3020 die-edge IOBs are provided with direct access to adjacent CLBs.

X1200



nect should be used to maximize the speed of high-performance portions of logic. Where logic blocks are adjacent to IOBs, direct connect is provided alternately to the IOB inputs (I) and outputs (O) on all four edges of the die. The right edge provides additional direct connects from CLB outputs to adjacent IOBs. Direct interconnections of IOBs with CLBs are shown in Figure 12.

### Longlines

The Longlines bypass the switch matrices and are intended primarily for signals that must travel a long distance, or must have minimum skew among multiple destinations. Longlines, shown in Figure 13, run vertically and horizontally the height or width of the interconnect area. Each interconnection column has three vertical Longlines, and each interconnection row has two horizontal Longlines. Two additional Longlines are located adjacent to the outer sets of switching matrices. In devices larger than the XC3020, two vertical Longlines in each column are connectable half-length lines. On the XC3020, only the outer Longlines are connectable half-length lines.

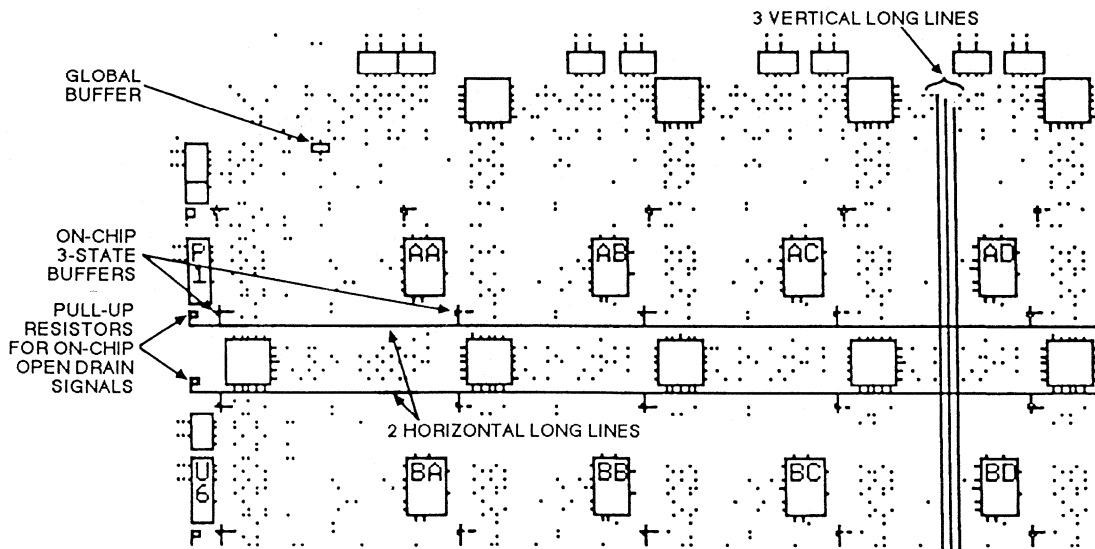
Longlines can be driven by a logic block or IOB output on a column-by-column basis. This capability provides a common low skew control or clock line within each column of logic blocks. Interconnections of these Longlines are shown in Figure 14. Isolation buffers are provided at each input to a Longline and are enabled automatically by the development system when a connection is made.

A buffer in the upper left corner of the LCA chip drives a global net which is available to all K inputs of logic blocks. Using the global buffer for a clock signal provides a skew-free, high fan-out, synchronized clock for use at any or all of the IOBs and CLBs. Configuration bits for the K input to each logic block can select this global line or another routing resource as the clock source for its flip-flops. This net may also be programmed to drive the die edge clock line for IOB use. An enhanced speed, CMOS threshold, direct access to this buffer is available at the second pad from the top of the left die edge.

A buffer in the lower right corner of the array drives a horizontal Longline that can drive programmed connections to a vertical Longline in each interconnection column. This alternate buffer also has low skew and high fan-out. The network formed by this alternate buffer's Longlines can be selected to drive the K inputs of the CLBs. CMOS threshold, high speed access to this buffer is available from the third pad from the bottom of the right die edge.

### Internal Busses

A pair of 3-state buffers, located adjacent to each CLB, permits logic to drive the horizontal Longlines. Logic operation of the 3-state buffer controls allows them to implement wide multiplexing functions. Any 3-state buffer input can be selected as drive for the horizontal long-line bus by applying a Low logic level on its 3-state control line. See Figure 15a. The user is required to avoid contention which can result from multiple drivers with opposing logic

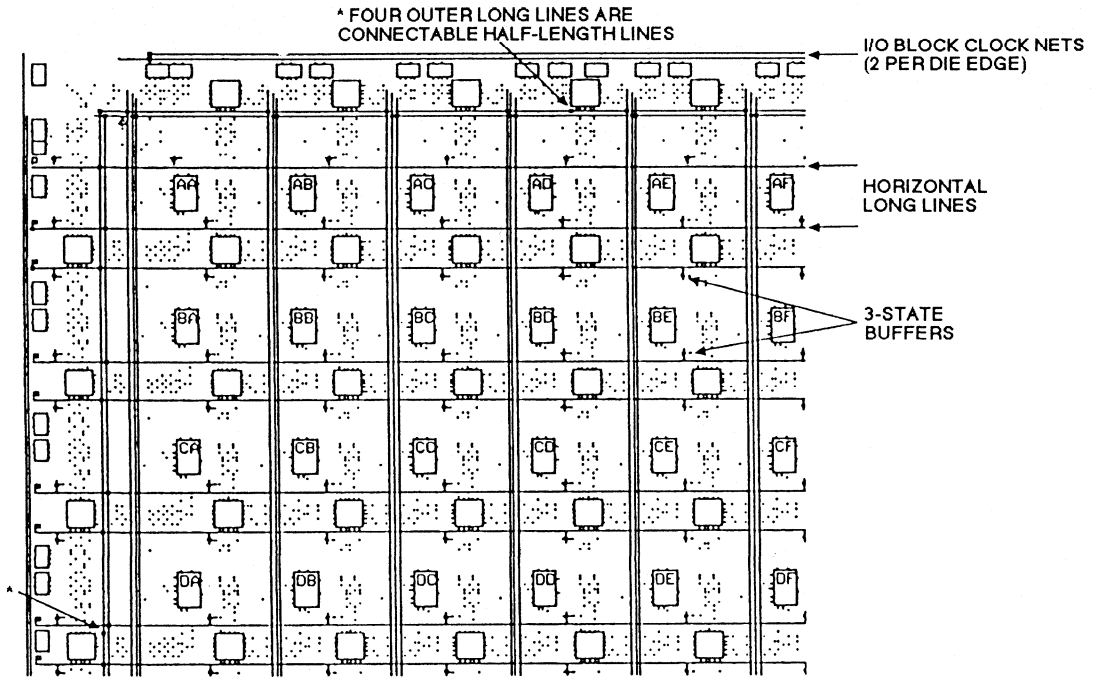


**Figure 13. Horizontal and Vertical Longlines.** These Longlines provide high fan-out, low-skew signal distribution in each row and column. The global buffer in the upper left die corner drives a common line throughout the LCA device.

X1243

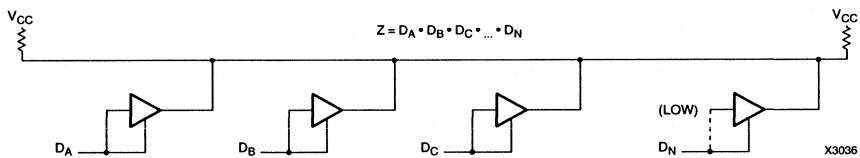
levels. Control of the 3-state input by the same signal that drives the buffer input, creates an open-drain wired-AND function. A logic High on both buffer inputs creates a high impedance, which represents no contention. A logic Low enables the buffer to drive the Longline Low. See Figure 15b. Pull-up resistors are available at each end of the

Longline to provide a High output when all connected buffers are non-conducting. This forms fast, wide gating functions. When data drives the inputs, and separate signals drive the 3-state control lines, these buffers form multiplexers (3-state buses). In this case, care must be used to prevent contention through multiple active buffers

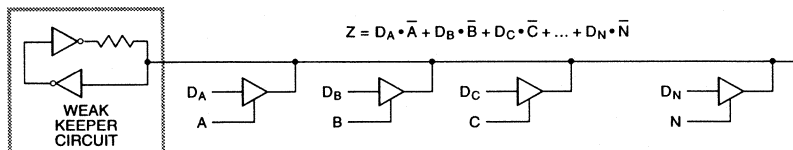
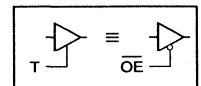


X1244

**Figure 14. Programmable Interconnection of Longlines.** This is provided at the edges of the routing area. Three-state buffers allow the use of horizontal Longlines to form on-chip wired AND and multiplexed buses. The left two non-clock vertical Longlines per column (except XC3020) and the outer perimeter Longlines may be programmed as connectable half-length lines.



**Figure 15a. 3-State Buffers Implement a Wired-AND Function.** When all the buffer 3-state lines are High, (high impedance), the pull-up resistor(s) provide the High output. The buffer inputs are driven by the control signals or a Low.



X1741

**Figure 15b. 3-State Buffers Implement a Multiplexer.** The selection is accomplished by the buffer 3-state signal.

of conflicting levels on a common line. Each horizontal Longline is also driven by a weak keeper circuit that prevents undefined floating levels by maintaining the previous logic level when the line is not driven by an active buffer or a pull-up resistor. Figure 16 shows 3-state buffers, Longlines and pull-up resistors.

### Crystal Oscillator

Figure 16 also shows the location of an internal high speed inverting amplifier which may be used to implement an on-chip crystal oscillator. It is associated with the auxiliary buffer in the lower right corner of the die. When the oscillator is configured by MakeBits and connected as a signal source, two special user IOBs are also configured to connect the oscillator amplifier with external crystal oscillator components as shown in Figure 17. A divide by two

option is available to assure symmetry. The oscillator circuit becomes active early in the configuration process to allow the oscillator to stabilize. Actual internal connection is delayed until completion of configuration. In Figure 17 the feedback resistor R1, between the output and input, biases the amplifier at threshold. The inversion of the amplifier, together with the R-C networks and an AT-cut series resonant crystal, produce the 360-degree phase shift of the Pierce oscillator. A series resistor R2 may be included to add to the amplifier output impedance when needed for phase-shift control, crystal resistance matching, or to limit the amplifier input swing to control clipping at large amplitudes. Excess feedback voltage may be corrected by the ratio of C2/C1. The amplifier is designed to be used from 1 MHz to about one-half the specified CLB toggle frequency. Use at frequencies below 1 MHz may require individual characterization with respect to a series

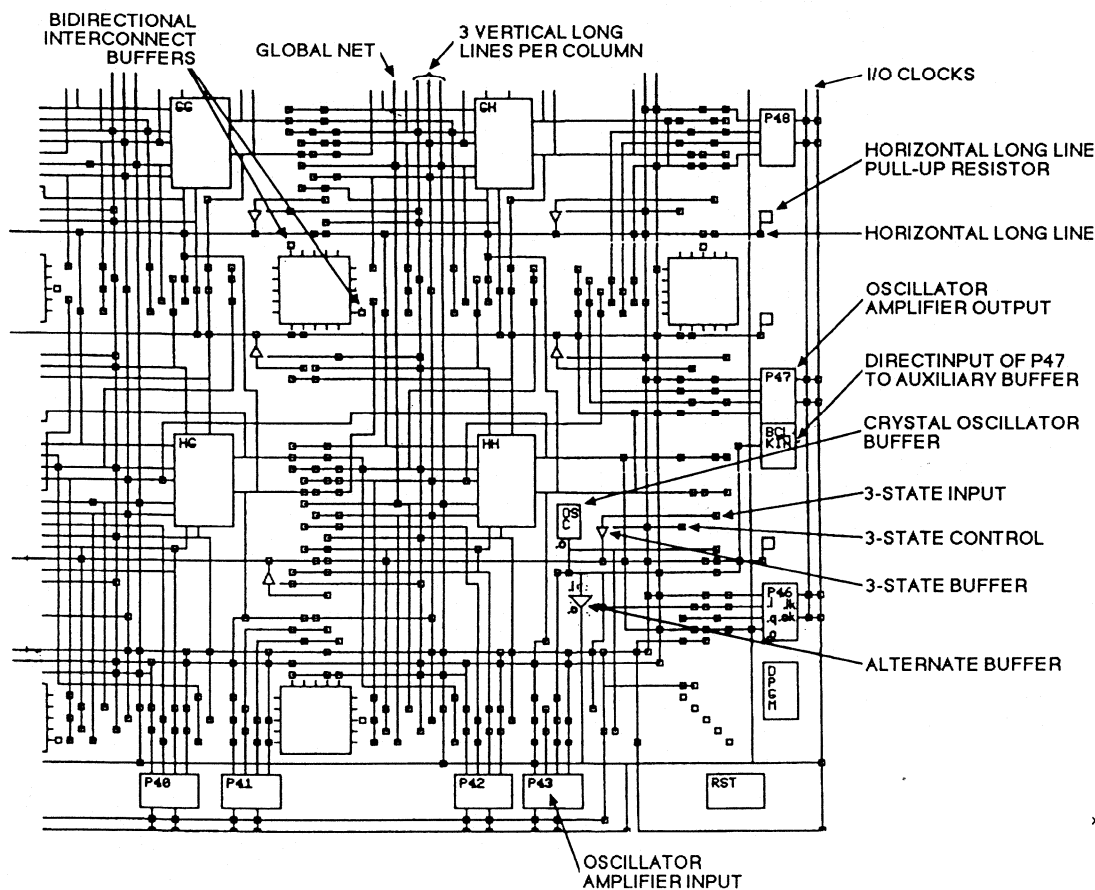
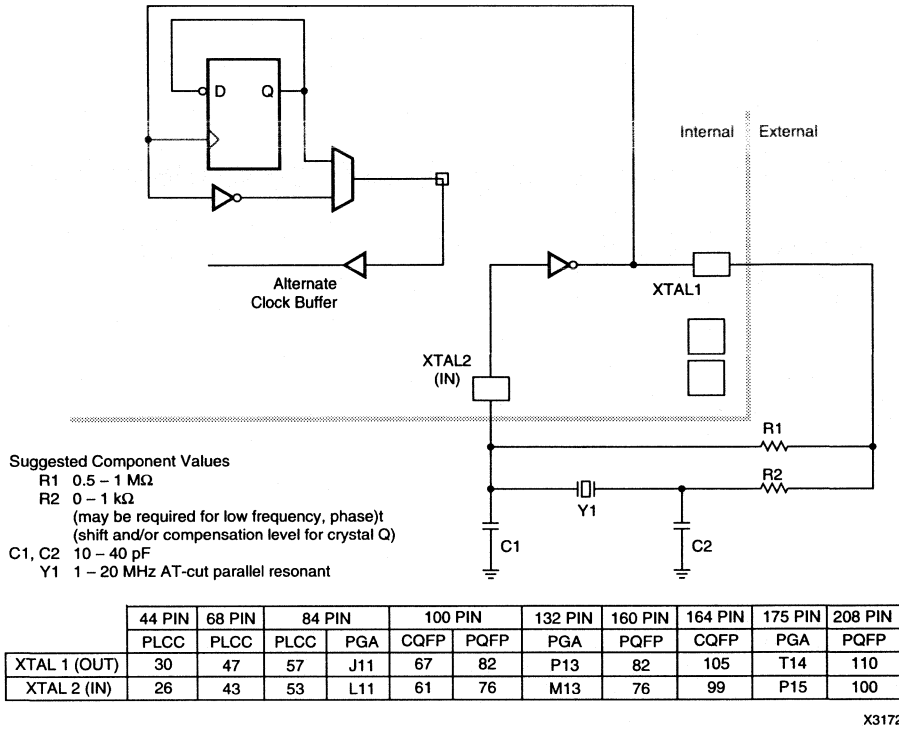


Figure 16. XACT Development System. An extra large view of possible interconnections in the lower right corner of the XC3020.



**Figure 17. Crystal Oscillator Inverter.** When activated in the MakeBits program and by selecting an output network for its buffer, the crystal oscillator inverter uses two unconfigured package pins and external components to implement an oscillator. An optional divide-by-two mode is available to assure symmetry.

resistance. Crystal oscillators above 20 MHz generally require a crystal which operates in a third overtone mode, where the fundamental frequency must be suppressed by an inductor across C2, turning this parallel resonant circuit to double the fundamental crystal frequency, i.e., 2/3 of the desired third harmonic frequency network. When the oscillator inverter is not used, these IOBs and their package pins are available for general user I/O.

### Programming

**Table 1**

M0	M1	M2	CCLK	Mode	Data
0	0	0	output	Master	Bit Serial
0	0	1	output	Master	Byte Wide Addr. = 0000 up
0	1	0	—	reserved	—
0	1	1	output	Master	Byte Wide Addr. = FFFF down
1	0	0	—	reserved	—
1	0	1	output	Peripheral	Byte Wide
1	1	0	—	reserved	—
1	1	1	input	Slave	Bit Serial

### Initialization Phase

An internal power-on-reset circuit is triggered when power is applied. When Vcc reaches the voltage at which portions of the LCA device begin to operate (nominally 2.5 to 3 V), the programmable I/O output buffers are disabled and a high-impedance pull-up resistor is provided for the user I/O pins. A time-out delay is initiated to allow the power supply voltage to stabilize. During this time the power-down mode is inhibited. The Initialization state time-out (about 11 to 33 ms) is determined by a 14-bit counter driven by a self-generated internal timer. This nominal 1-MHz timer is subject to variations with process, temperature and power supply. As shown in Table 1, five configuration mode choices are available as determined by the input levels of three mode pins; M0, M1 and M2.

In Master configuration modes, the LCA device becomes the source of the Configuration Clock (CCLK). The beginning of configuration of devices using Peripheral or Slave modes must be delayed long enough for their initialization to be completed. An LCA device with mode lines selecting a Master configuration mode extends its initialization state using four times the delay (43 to 130 ms) to assure that all daisy-chained slave devices, which it may be driving, will

be ready even if the master is very fast, and the slave(s) very slow. Figure 18 shows the state sequences. At the end of Initialization, the LCA device enters the Clear state where it clears the configuration memory. The active Low, open-drain initialization signal  $\overline{\text{INIT}}$  indicates when the Initialization and Clear states are complete. The LCA device tests for the absence of an external active Low  $\overline{\text{RESET}}$  before it makes a final sample of the mode lines and enters the Configuration state. An external wired-AND of one or more  $\overline{\text{INIT}}$  pins can be used to control configuration by the assertion of the active-Low  $\overline{\text{RESET}}$  of a master mode device or to signal a processor that the LCA devices are not yet initialized.

If a configuration has begun, a re-assertion of  $\overline{\text{RESET}}$  for a minimum of three internal timer cycles will be recognized and the LCA device will initiate an abort, returning to the Clear state to clear the partially loaded configuration memory words. The LCA device will then resample  $\overline{\text{RESET}}$  and the mode lines before re-entering the Configuration state. A re-program is initiated when a configured LCA device senses a High-to-Low transition on the DONE/ $\overline{\text{PROG}}$  package pin. The LCA device returns to the Clear state where the configuration memory is cleared and mode lines re-sampled, as for an aborted configuration. The complete configuration program is cleared and loaded during each configuration program cycle.

Length count control allows a system of multiple Logic Cell Arrays, of assorted sizes, to begin operation in a synchro-

nized fashion. The configuration program generated by the MakePROM program of the XACT development system begins with a preamble of 11111110010 followed by a 24-bit length count representing the total number of configuration clocks needed to complete loading of the configuration program(s). The data framing is shown in Figure 19. All LCA devices connected in series read and shift preamble and length count in on positive and out on negative configuration clock edges. An LCA device which has received the preamble and length count then presents a High Data Out until it has intercepted the appropriate number of data frames. When the configuration program memory of an LCA device is full and the length count does not yet compare, the LCA device shifts any additional data through, as it did for preamble and length count.

When the LCA device configuration memory is full and the length count compares, the LCA device will execute a synchronous start-up sequence and become operational. See Figure 20. Two CCLK cycles after the completion of loading configuration data, the user I/O pins are enabled as configured. As selected in MakeBits, the internal user-logic  $\overline{\text{RESET}}$  is released either one clock cycle before or after the I/O pins become active. A similar timing selection is programmable for the DONE/ $\overline{\text{PROG}}$  output signal. DONE/ $\overline{\text{PROG}}$  may also be programmed to be an open drain or include a pull-up resistor to accommodate wired ANDing. The High During Configuration (HDC) and Low During Configuration (LDC) are two user I/O pins which are driven active while an LCA device is in its Initialization,

Power-On Delay is  
 $2^{14}$  Cycles for Non-Master Mode—11 to 33 ms  
 $2^{16}$  Cycles for Master Mode—43 to 130 ms

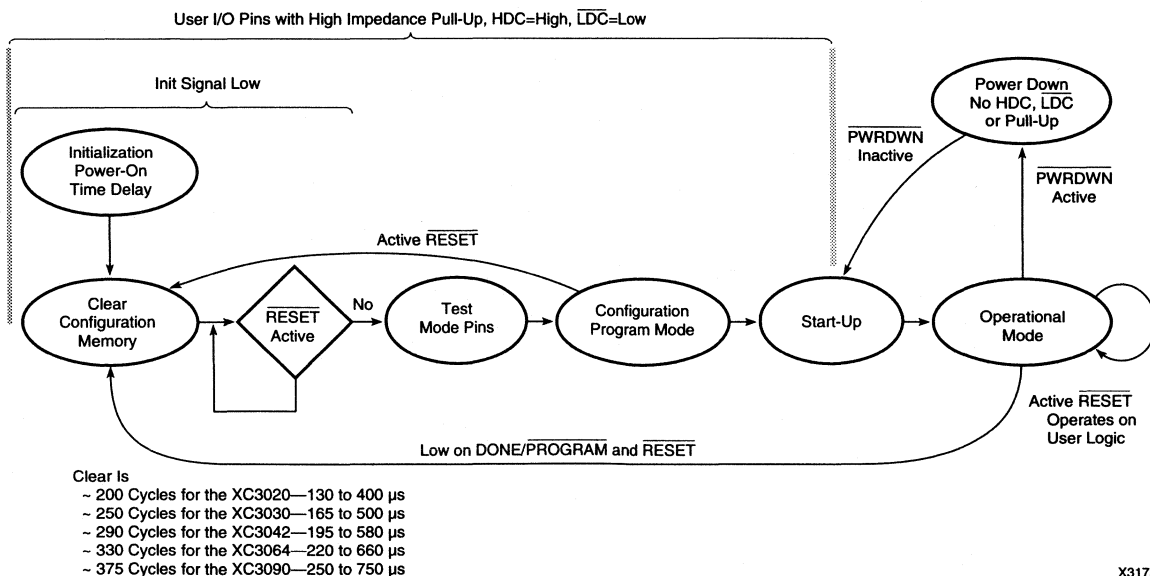


Figure 18. A State Diagram of the Configuration Process for Power-up and Reprogram.

Clear or Configure states. They and  $\overline{DONE}/\overline{PROG}$  provide signals for control of external logic signals such as RESET, bus enable or PROM enable during configuration. For parallel Master configuration modes, these signals provide PROM enable control and allow the data pins to be shared with user logic signals.

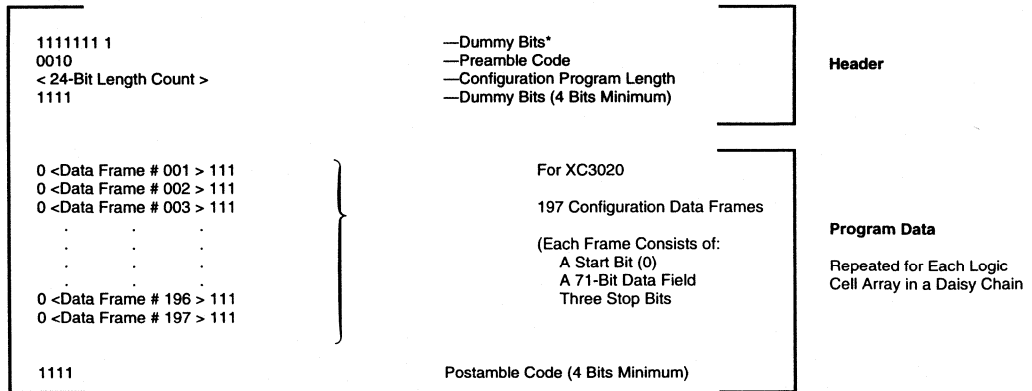
User I/O inputs can be programmed to be either TTL or CMOS compatible thresholds. At power-up, all inputs have TTL thresholds and can change to CMOS thresholds at the completion of configuration if the user has selected

CMOS thresholds. The threshold of  $\overline{PWRDWN}$  and the direct clock inputs are fixed at a CMOS level.

If the crystal oscillator is used, it will begin operation before configuration is complete to allow time for stabilization before it is connected to the internal circuitry.

**Configuration Data**

Configuration data to define the function and interconnection within a Logic Cell Array is loaded from an external storage at power-up and after a re-program signal. Several



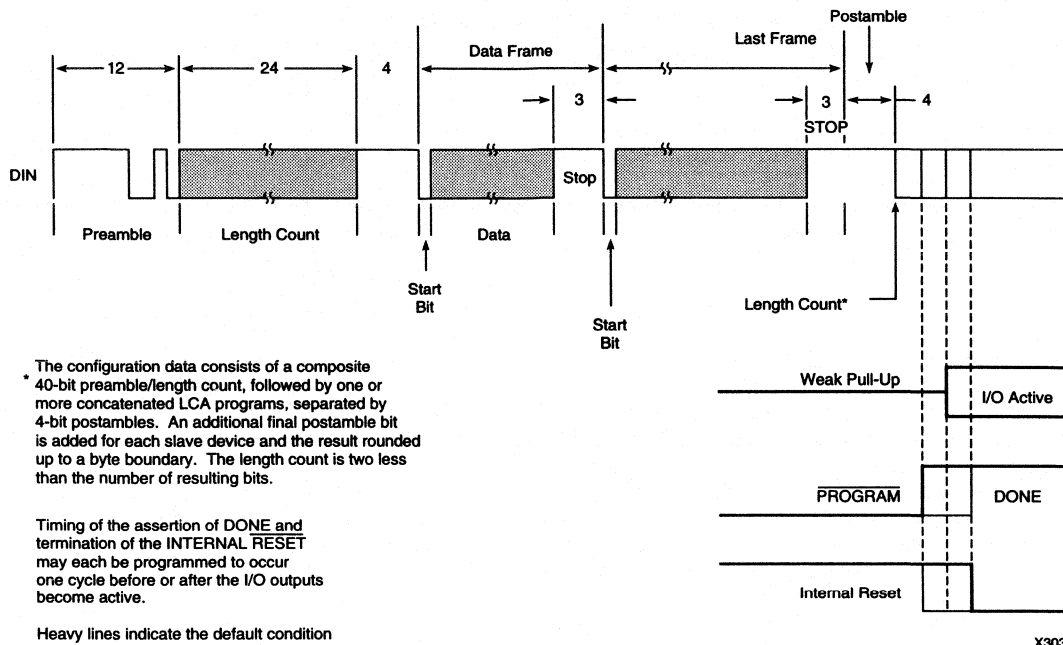
\*The LCA Device Requires Four Dummy Bits Min; the XACT Development System Generates Eight Dummy Bits

x2952

Device	XC3020	XC3030	XC3042	XC3064	XC3090	XC3195
	XC3020A	XC3030A	XC3042A	XC3064A	XC3090A	
	XC3020L	XC3030L	XC3042L	XC3064L	XC3090L	
	XC3120	XC3130	XC3142	XC3164	XC3190	
Gates	1,300 to 1,800	2,000 to 2,700	2,000 to 3,700	4,000 to 5,500	5,000 to 7,500	6,500 to 9,000
CLBs	64	100	144	224	320	484
Row x Col	(8 x 8)	(10 x 10)	(12 x 12)	(16 x 14)	(20 x 16)	(22 x 22)
IOBs	64	80	96	120	144	176
Flip-flops	256	360	480	688	928	1,320
Horizontal Longlines	16	20	24	32	40	44
TBUFs/Horizontal LL	9	11	13	15	17	23
Bits per Frame (including 1 start and 3 stop bits)	75	92	108	140	172	188
Frames	197	241	285	329	373	505
Program Data = Bits x Frames + 4 bits (excludes header)	14,779	22,176	30,784	46,064	64,160	94,944
PROM size (bits) = Program Data + 40-bit Header	14,819	22,216	30,824	46,104	64,200	94,984

**Figure 19. Internal Configuration Data Structure for an LCA Device.** This shows the preamble, length count and data frames generated by the XACT Development System.

The Length Count produced by the MakeBits program = [(40-bit preamble + sum of program data + 1 per daisy chain device) rounded up to multiple of 8] - (2 ≤ K ≤ 4) where K is a function of DONE and RESET timing selected. An additional 8 is added if roundup increment is less than K. K additional clocks are needed to complete start-up after length count is reached.



**Figure 20. Configuration and Start-up of One or More LCA Devices.**

methods of automatic and controlled loading of the required data are available. Logic levels applied to mode selection pins at the start of configuration time determine the method to be used. See Table 1. The data may be either bit-serial or byte-parallel, depending on the configuration mode. The different LCA devices have different sizes and numbers of data frames. To maintain compatibility between various device types, the Xilinx product families use compatible configuration formats. For the XC3020, configuration requires 14779 bits for each device, arranged in 197 data frames. An additional 40 bits are used in the header. See Figure 20. The specific data format for each device is produced by the MakeBits command of the development system and one or more of these files can then be combined and appended to a length count preamble and be transformed into a PROM format file by the MakePROM command of the XACT development system. A compatibility exception precludes the use of an XC2000-series device as the master for XC3000-series devices if their DONE or RESET are programmed to occur after their outputs become active.

The Tie Option of the MakeBits program defines output levels of unused blocks of a design and connects these to unused routing resources. This prevents indeterminate levels that might produce parasitic supply currents. If unused blocks are not sufficient to complete the tie, the Flagnet command of EDITLCA can be used to indicate

nets which must not be used to drive the remaining unused routing, as that might affect timing of user nets. Norestore will retain the results of tie for timing analysis with Querynet before Restore returns the design to the untied condition. Tie can be omitted for quick breadboard iterations where a few additional milliamps of  $I_{CC}$  are acceptable.

The configuration bitstream begins with eight High preamble bits, a 4-bit preamble code and a 24-bit length count. When configuration is initiated, a counter in the LCA device is set to zero and begins to count the total number of configuration clock cycles applied to the device. As each configuration data frame is supplied to the LCA device, it is internally assembled into a data word, which is then loaded in parallel into one word of the internal configuration memory array. The configuration loading process is complete when the current length count equals the loaded length count and the required configuration program data frames have been written. Internal user flip-flops are held Reset during configuration.

Two user-programmable pins are defined in the unconfigured Logic Cell array. High During Configuration (HDC) and Low During Configuration (LDC) as well as DONE/PROG may be used as external control signals during configuration. In Master mode configurations it is convenient to use LDC as an active-Low EPROM Chip Enable. After the last configuration data bit is loaded and

the length count compares, the user I/O pins become active. Options in the MakeBits program allow timing choices of one clock earlier or later for the timing of the end of the internal logic RESET and the assertion of the DONE signal. The open-drain DONE/PROG output can be AND-tied with multiple LCA devices and used as an active-High READY, an active-Low PROM enable or a RESET to other portions of the system. The state diagram of Figure 18 illustrates the configuration process.

### Master Mode

In Master mode, the LCA device automatically loads configuration data from an external memory device. There are three Master modes that use the internal timing source to supply the configuration clock (CCLK) to time the incoming data. Master Serial mode uses serial configuration data supplied to Data-in (DIN) from a synchronous serial source such as the Xilinx Serial Configuration PROM shown in Figure 21. Master Parallel Low and High modes automatically use parallel data supplied to the D0–D7 pins in response to the 16-bit address generated by the LCA device. Figure 22 shows an example of the parallel Master mode connections required. The LCA HEX starting address is 0000 and increments for Master Low mode and it is FFFF and decrements for Master High mode. These two modes provide address compatibility with microprocessors which begin execution from opposite ends of memory.

### Peripheral Mode

Peripheral mode provides a simplified interface through which the device may be loaded byte-wide, as a processor peripheral. Figure 23 shows the peripheral mode connections. Processor write cycles are decoded from the common assertion of the active low Write Strobe ( $\overline{WS}$ ), and two active low and one active high Chip Selects ( $\overline{CS0}$ ,  $\overline{CS1}$ , CS2). The LCA device generates a configuration clock from the internal timing generator and serializes the parallel input data for internal framing or for succeeding slaves on Data Out (DOUT). A output High on READY/ $\overline{BUSY}$  pin indicates the completion of loading for each byte when the input register is ready for a new byte. As with Master modes, Peripheral mode may also be used as a lead device for a daisy-chain of slave devices.

### Slave Serial Mode

Slave Serial mode provides a simple interface for loading the Logic Cell Array configuration as shown in Figure 24. Serial data is supplied in conjunction with a synchronizing input clock. Most Slave mode applications are in daisy-chain configurations in which the data input is driven from the previous Logic Cell Array's data out, while the clock is supplied by a lead device in Master or Peripheral mode. Data may also be supplied by a processor or other special circuits.

### Daisy Chain

The XACT development system is used to create a composite configuration for selected LCA devices including: a preamble, a length count for the total bitstream, multiple concatenated data programs and a postamble plus an additional fill bit per device in the serial chain. After loading and passing-on the preamble and length count to a possible daisy-chain, a lead device will load its configuration data frames while providing a High DOUT to possible down-stream devices as shown in Figure 22. Loading continues while the lead device has received its configuration program and the current length count has not reached the full value. The additional data is passed through the lead device and appears on the Data Out (DOUT) pin in serial form. The lead device also generates the Configuration Clock (CCLK) to synchronize the serial output data and data in of down-stream LCA devices. Data is read in on DIN of slave devices by the positive edge of CCLK and shifted out the DOUT on the negative edge of CCLK. A parallel Master mode device uses its internal timing generator to produce an internal CCLK of 8 times its EPROM address rate, while a Peripheral mode device produces a burst of 8 CCLKs for each chip select and write-strobe cycle. The internal timing generator continues to operate for general timing and synchronization of inputs in all modes.

### Special Configuration Functions

The configuration data includes control over several special functions in addition to the normal user logic functions and interconnect.

- Input thresholds
- Readback disable
- DONE pull-up resistor
- DONE timing
- RESET timing
- Oscillator frequency divided by two

Each of these functions is controlled by configuration data bits which are selected as part of the normal XACT development system bitstream generation process.

### Input Thresholds

Prior to the completion of configuration all LCA device input thresholds are TTL compatible. Upon completion of configuration, the input thresholds become either TTL or CMOS compatible as programmed. The use of the TTL threshold option requires some additional supply current for threshold shifting. The exception is the threshold of the PWRDWN input and direct clocks which always have a CMOS input. Prior to the completion of configuration the user I/O pins each have a high impedance pull-up. The configuration program can be used to enable the IOB pull-



up resistors in the Operational mode to act either as an input load or to avoid a floating input on an otherwise unused pin.

### Readback

The contents of a Logic Cell Array may be read back if it has been programmed with a bitstream in which the Readback option has been enabled. Readback may be used for verification of configuration and as a method of determining the state of internal logic nodes during debugging. There are three options in generating the configuration bitstream.

- “Never” inhibits the Readback capability.
- “One-time,” inhibits Readback after one Readback has been executed to verify the configuration.
- “On-command” allows unrestricted use of Readback.

Readback is accomplished without the use of any of the user I/O pins; only M0, M1 and CCLK are used. The initiation of Readback is produced by a Low to High transition of the M0/RTRIG (Read Trigger) pin. The CCLK input must then be driven by external logic to read back the configuration data. The first three Low-to-High CCLK transitions clock out dummy data. The subsequent Low-to-High CCLK transitions shift the data frame information out on the M1/RDATA (Read Data) pin. Note that the logic polarity is always inverted, a zero in configuration becomes a one in Readback, and vice versa. Note also that each Readback frame has one Start bit (read back as a one) but, unlike in configuration, each Readback frame has only one Stop bit (read back as a zero). The third leading dummy bit mentioned above can be considered the Start bit of the first frame. All data frames must be read back to complete the process and return the Mode Select and CCLK pins to their normal functions.

Readback data includes the current state of each CLB flip-flop, each input flip-flop or latch, and each device pad. These data are imbedded into unused configuration bit positions during Readback. This state information is used by the XACT development system In-Circuit Verifier to provide visibility into the internal operation of the logic while the system is operating. To readback a uniform time-sample of all storage elements, it may be necessary to inhibit the system clock.

### Reprogram

To initiate a re-programming cycle, the dual-function pin DONE/PROG must be given a High-to-Low transition. To reduce sensitivity to noise, the input signal is filtered for two

cycles of the LCA device internal timing generator. When reprogram begins, the user-programmable I/O output buffers are disabled and high-impedance pull-ups are provided for the package pins. The device returns to the Clear state and clears the configuration memory before it indicates ‘initialized’. Since this Clear operation uses chip-individual internal timing, the master might complete the Clear operation and then start configuration before the slave has completed the Clear operation. To avoid this problem, the slave INIT pins must be AND-wired and used to force a RESET on the master (see Figure 22). Reprogram control is often implemented using an external open-collector driver which pulls DONE/PROG Low. Once a stable request is recognized, the DONE/PROG pin is held Low until the new configuration has been completed. Even if the re-program request is externally held Low beyond the configuration period, the LCA device will begin operation upon completion of configuration.

### DONE Pull-up

DONE/PROG is an open-drain I/O pin that indicates the LCA device is in the operational state. An optional internal pull-up resistor can be enabled by the user of the XACT development system when MAKEBITS is executed. The DONE/PROG pins of multiple LCA devices in a daisy-chain may be connected together to indicate all are DONE or to direct them all to reprogram.

### DONE Timing

The timing of the DONE status signal can be controlled by a selection in the MakeBits program to occur either a CCLK cycle before, or after, the outputs going active. See Figure 20. This facilitates control of external functions such as a PROM enable or holding a system in a wait state.

### RESET Timing

As with DONE timing, the timing of the release of the internal reset can be controlled by a selection in the MakeBits program to occur either a CCLK cycle before, or after, the outputs going active. See Figure 20. This reset keeps all user programmable flip-flops and latches in a zero state during configuration.

### Crystal Oscillator Division

A selection in the MakeBits program allows the user to incorporate a dedicated divide-by-two flip-flop between the crystal oscillator and the alternate clock line. This guarantees a symmetrical clock signal. Although the frequency stability of a crystal oscillator is very good, the symmetry of its waveform can be affected by bias or feedback drive.

*The following seven pages describe the different configuration modes in detail*

Master Serial Mode

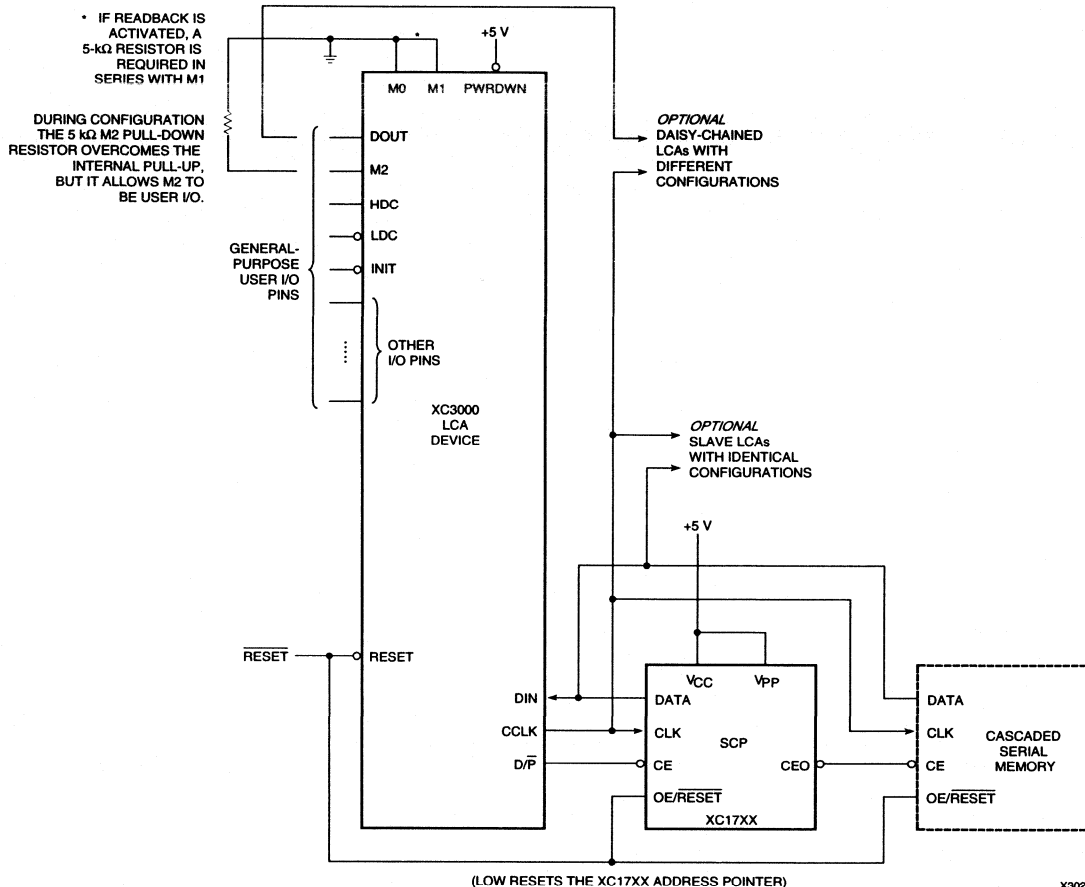


Figure 21. Master Serial Mode

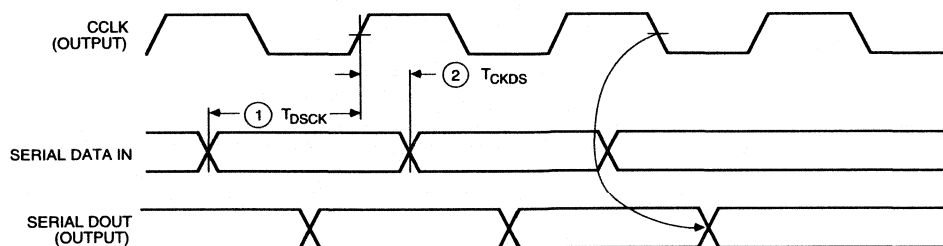
In Master Serial mode, the CCLK output of the lead LCA device drives a Xilinx Serial PROM that feeds the LCA DIN input. Each rising edge of the CCLK output increments the Serial PROM internal address counter. This puts the next data bit on the SPROM data output, connected to the LCA DIN pin. The lead LCA device accepts this data on the subsequent rising CCLK edge.

The lead LCA device then presents the preamble data (and all data that overflows the lead device) on its DOUT pin. There is an internal delay of 1.5 CCLK periods, which

means that DOUT changes on the falling CCLK edge, and the next LCA device in the daisy-chain accepts data on the subsequent rising CCLK edge.

The SPROM CE input can be driven from either  $\overline{LDC}$  or  $\overline{DONE}$ . Using  $\overline{LDC}$  avoids potential contention on the DIN pin, if this pin is configured as user-I/O, but  $\overline{LDC}$  is then restricted to be a permanently High user output. Using  $\overline{DONE}$  also avoids contention on DIN, provided the early DONE option is invoked.

## Master Serial Mode Programming Switching Characteristics



	Speed Grade		Min	Max	Units
	Description	Symbol			
CCLK3	Data In setup	1 $T_{DSCK}$	60		ns
	Data In hold	2 $T_{CKDS}$	0		ns

- Notes:
1. At power-up,  $V_{CC}$  must rise from 2.0 V to  $V_{CC}$  min in less than 25 ms. If this is not possible, configuration can be delayed by holding RESET Low until  $V_{CC}$  has reached 4.0 V (2.5 V for the XC3000L). A very long  $V_{CC}$  rise time of >100 ms, or a non-monotonically rising  $V_{CC}$  may require >1- $\mu$ s High level on RESET, followed by a >6- $\mu$ s Low level on RESET and D/P after  $V_{CC}$  has reached 4.0 V (2.5 V for the XC3000L).
  2. Configuration can be controlled by holding  $\overline{\text{RESET}}$  Low with or until after the  $\overline{\text{INIT}}$  of all daisy-chain slave-mode devices is High.
  3. Master-serial-mode timing is based on slave-mode testing.

Master Parallel Mode

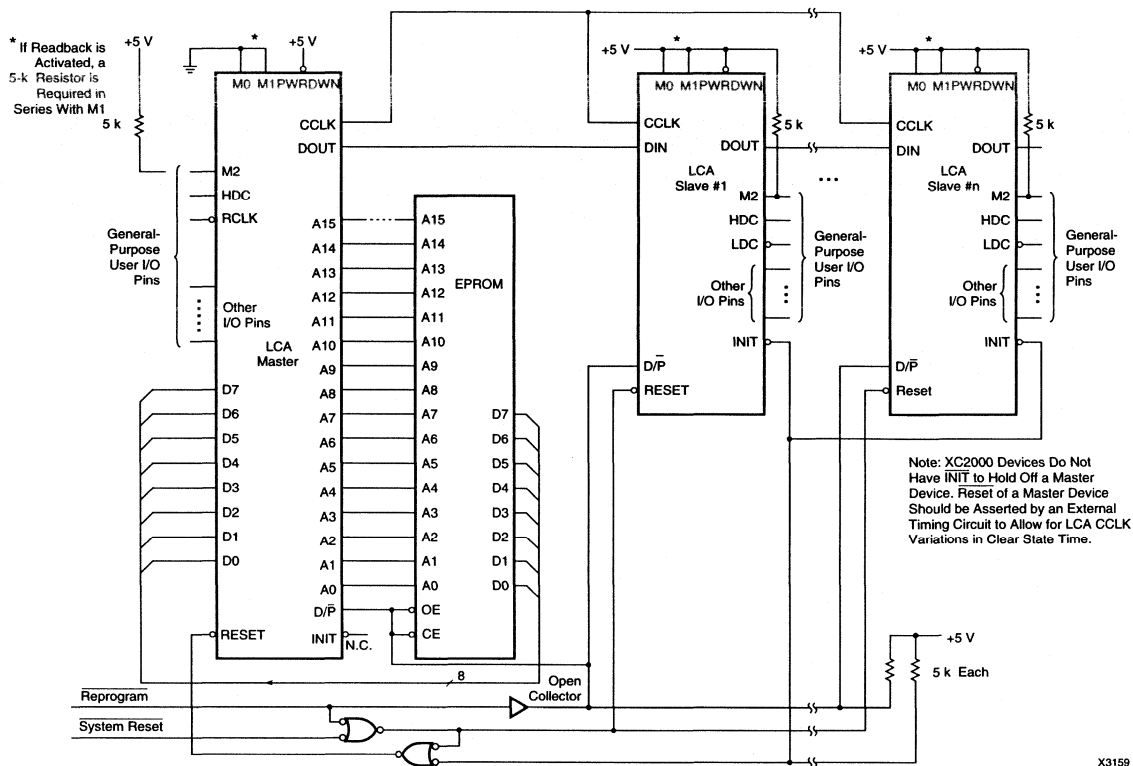


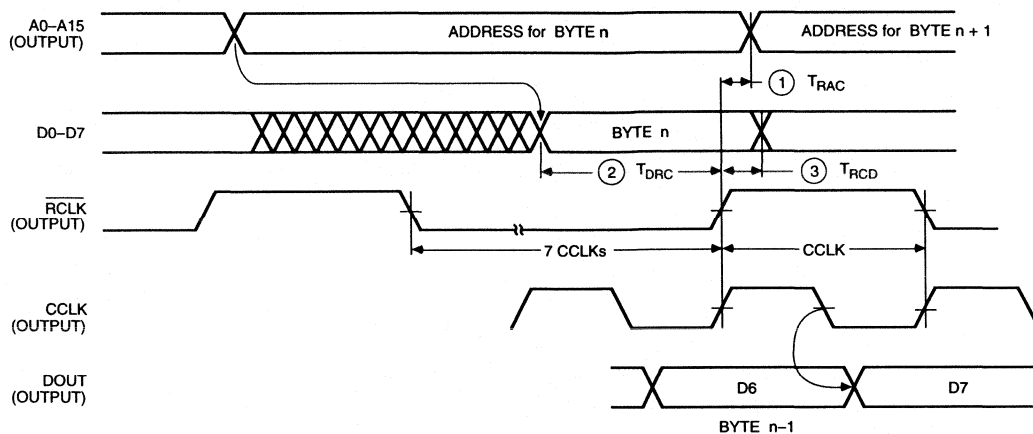
Figure 22. Master Parallel Mode

In Master Parallel mode, the lead LCA device directly addresses an industry-standard byte-wide EPROM and accepts eight data bits right before incrementing (or decrementing) the address outputs.

The eight data bits are serialized in the lead LCA device, which then presents the preamble data (and all data that overflows the lead device) on the DOUT pin. There is an

internal delay of 1.5 CCLK periods, after the rising CCLK edge that accepts a byte of data, and also changes the EPROM address, until the falling CCLK edge that makes the LSB (D0) of this byte appear at DOUT. This means that DOUT changes on the falling CCLK edge, and the next LCA device in the daisy chain accepts data on the subsequent rising CCLK edge.

## Master Parallel Mode Programming Switching Characteristics



	Description	Symbol	Min	Max	Units	
RCLK	To address valid	1	$T_{RAC}$	0	200	ns
	To data setup	2	$T_{DRC}$	60		ns
	To data hold	3	$T_{RCD}$	0		ns
	RCLK High		$T_{RCH}$	600		ns
	RCLK Low		$T_{RCL}$	4.0		$\mu$ s

- Notes:
- At power-up,  $V_{CC}$  must rise from 2.0 V to  $V_{CC}$  min in less than 25 ms. If this is not possible, configuration can be delayed by holding  $\overline{RESET}$  Low until  $V_{CC}$  has reached 4.0 V (2.5 V for the XC3000L). A very long  $V_{CC}$  rise time of >100 ms, or a non-monotonically rising  $V_{CC}$  may require a >1- $\mu$ s High level on  $\overline{RESET}$ , followed by a >6- $\mu$ s Low level on  $\overline{RESET}$  and D/P after  $V_{CC}$  has reached 4.0 V (2.5 V for the XC3000L).
  - Configuration can be controlled by holding  $\overline{RESET}$  Low with or until after the  $\overline{INIT}$  of all daisy-chain slave-mode devices is High.

*This timing diagram shows that the EPROM requirements are extremely relaxed: EPROM access time can be longer than 4000 ns. EPROM data output has no hold time requirements.*

Peripheral Mode

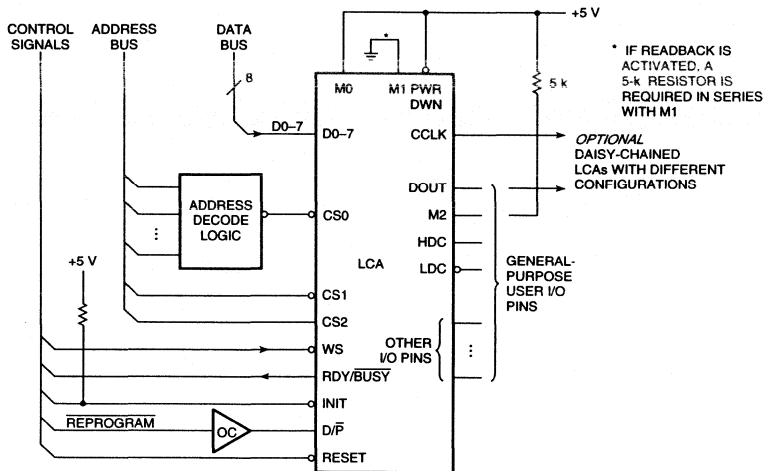


Figure 23. Peripheral Mode.

X3031

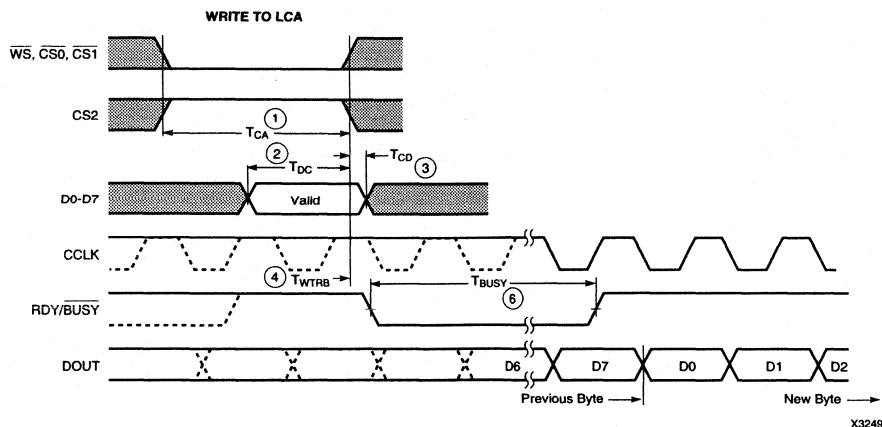
Peripheral mode uses the trailing edge of the logic AND condition of the  $\overline{CS0}$ ,  $\overline{CS1}$ ,  $\overline{CS2}$ , and  $\overline{WS}$  inputs to accept byte-wide data from a microprocessor bus. In the lead LCA device, this data is loaded into a double-buffered UART-like parallel-to-serial converter and is serially shifted into the internal logic. The lead LCA device presents the preamble data (and all data that overflows the lead device) on the DOUT pin.

The Ready/Busy output from the lead LCA device acts as a handshake signal to the microprocessor.  $\overline{RDY/BUSY}$  goes Low when a byte has been received, and goes High

again when the byte-wide input buffer has transferred its information into the shift register, and the buffer is ready to receive new data. The length of the  $\overline{BUSY}$  signal depends on the activity in the UART. If the shift register had been empty when the new byte was received, the  $\overline{BUSY}$  signal lasts for only two CCLK periods. If the shift register was still full when the new byte was received, the  $\overline{BUSY}$  signal can be as long as nine CCLK periods.

Note that after the last byte has been entered, only seven of its bits are shifted out. CCLK remains High with DOUT equal to bit 6 (the next-to-last bit) of the last byte entered.

## Peripheral Mode Programming Switching Characteristics



	Description	Symbol	Min	Max	Units
Write	Effective Write time required (Assertion of $\overline{CS0}$ , $\overline{CS1}$ , $\overline{CS2}$ , $\overline{WS}$ )	1   $T_{CA}$	100		ns
	DIN Setup time required	2   $T_{DC}$	60		ns
	DIN Hold time required	3   $T_{CD}$	0		ns
	$\overline{RDY}/\overline{BUSY}$ delay after end of $\overline{WS}$	4   $T_{WTRB}$		60	ns
RDY	Earliest next $\overline{WS}$ after end of $\overline{BUSY}$	5   $T_{RBWT}$	0		ns
	$\overline{BUSY}$ Low time generated	6   $T_{BUSY}$	2.5	9	CCLK Periods

### Notes:

- At power-up,  $V_{CC}$  must rise from 2.0 V to  $V_{CC}$  min in less than 25 ms. If this is not possible, configuration can be delayed by holding RESET Low until  $V_{CC}$  has reached 4.0 V (2.5 V for the XC3000L). A very long  $V_{CC}$  rise time of >100 ms, or a non-monotonically rising  $V_{CC}$  may require a >1- $\mu$ s High level on RESET, followed by a >6- $\mu$ s Low level on RESET and D/P after  $V_{CC}$  has reached 4.0 V (2.5 V for the XC3000L).
- Configuration must be delayed until the  $\overline{INIT}$  of all LCAs is High.
- Time from end of  $\overline{WS}$  to CCLK cycle for the new byte of data depends on completion of previous byte processing and the phase of the internal timing generator for CCLK.
- CCLK and DOUT timing is tested in slave mode.
- $T_{BUSY}$  indicates that the double-buffered parallel-to-serial converter is not yet ready to receive new data. The shortest  $T_{BUSY}$  occurs when a byte is loaded into an empty parallel-to-serial converter. The longest  $T_{BUSY}$  occurs when a new word is loaded into the input register before the second-level buffer has started shifting out data.

***This timing diagram shows very relaxed requirements: Data need not be held beyond the rising edge of  $\overline{WS}$ .  $\overline{BUSY}$  will go active within 60 ns after the end of  $\overline{WS}$ .  $\overline{BUSY}$  will stay active for several microseconds.  $\overline{WS}$  may be asserted immediately after the end of  $\overline{BUSY}$ .***

Slave Serial Mode

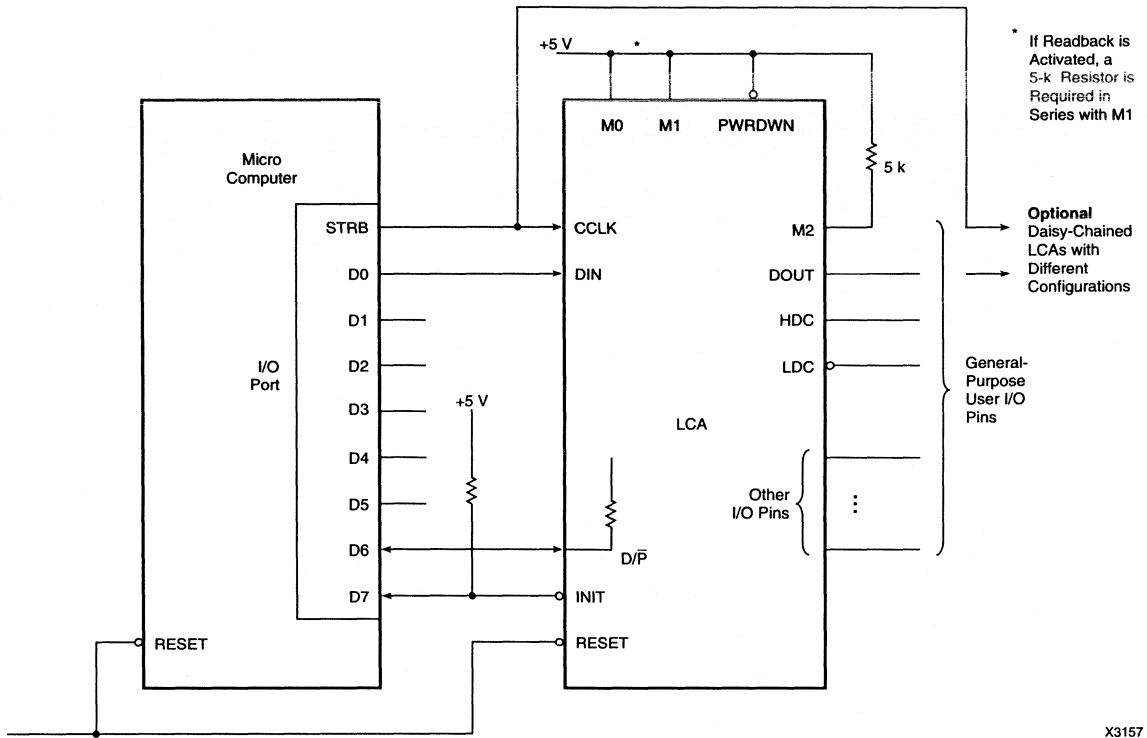


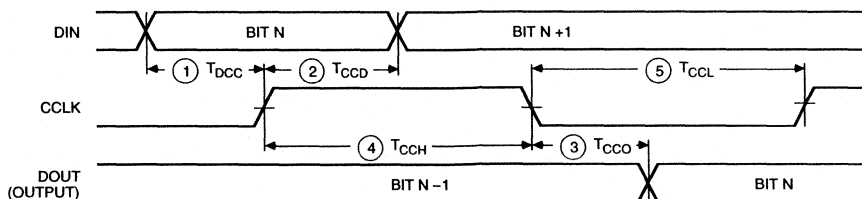
Figure 24. Slave Serial Mode.

In Slave Serial mode, an external signal drives the CCLK input(s) of the LCA device(s). The serial configuration bitstream must be available at the DIN input of the lead LCA device a short set-up time before each rising CCLK edge. The lead LCA device then presents the preamble

data (and all data that overflows the lead device) on its DOUT pin. There is an internal delay of 1.5 CCLK periods, which means that DOUT changes on the falling CCLK edge, and the next LCA device in the daisy-chain accepts data on the subsequent rising CCLK edge.



## Slave Serial Mode Programming Switching Characteristics

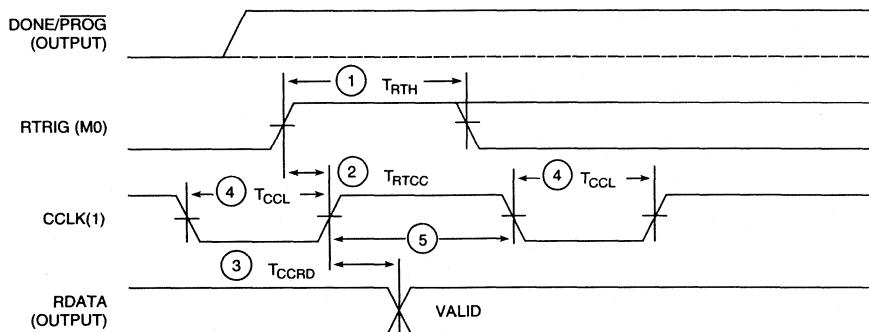


1105 31

	Description	Symbol	Min	Max	Units
CCLK	To DOUT	3 $T_{CCO}$		100	ns
	DIN setup	1 $T_{DCC}$	60		ns
	DIN hold	2 $T_{CCD}$	0		ns
	High time	4 $T_{CCH}$	0.05		$\mu$ s
	Low time (Note 1)	5 $T_{CCL}$	0.05	5.0	$\mu$ s
	Frequency	$F_{CC}$		10	MHz

- Notes:
1. The max limit of CCLK Low time is caused by dynamic circuitry inside the LCA device.
  2. Configuration must be delayed until the  $\overline{INIT}$  of all LCA devices is High.
  3. At power-up,  $V_{CC}$  must rise from 2.0 V to  $V_{CC}$  min in less than 25 ms. If this is not possible, configuration can be delayed by holding  $\overline{RESET}$  Low until  $V_{CC}$  has reached 4.0 V (2.5 V for the XC3000L). A very long  $V_{CC}$  rise time of >100 ms, or a non-monotonically rising  $V_{CC}$  may require a >1- $\mu$ s High level on  $\overline{RESET}$ , followed by a >6- $\mu$ s Low level on  $\overline{RESET}$  and D/P after  $V_{CC}$  has reached 4.0 V (2.5 V for the XC3000L).

## Program Readback Switching Characteristics

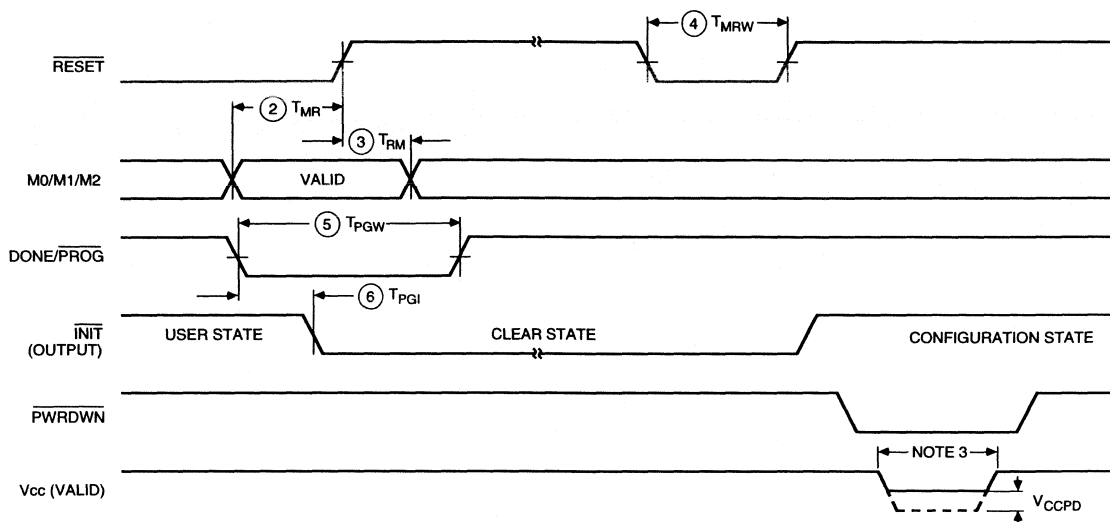


X3028

	Description	Symbol	Min	Max	Units
RTRIG	RTRIG High	1 $T_{RTH}$	250		ns
CCLK	RTRIG setup	2 $T_{RTCC}$	200		ns
	RDATA delay	3 $T_{CCRD}$		100	ns
	High time	5 $T_{CCHR}$	0.5		$\mu$ s
	Low time	4 $T_{CCLR}$	0.5	5	$\mu$ s

- Notes:
1. During Readback, CCLK frequency may not exceed 1 MHz.
  2.  $\overline{RETRIG}$  (M0 positive transition) shall not be done until after one clock following active I/O pins.
  3. Readback should not be initiated until configuration is complete.
  4.  $T_{CCLR}$  is 5  $\mu$ s min to 15  $\mu$ s max for XC3000L.

General LCA Switching Characteristics



1105 28

Description	Symbol	XC3000 XC3100		XC3000A XC3000L		Units	
		Min	Max	Min	Max		
RESET (2)	M0, M1, M2 setup time required	2	T <sub>MR</sub>	1		1	μs
	M0, M1, M2 hold time required	3	T <sub>RM</sub>	1		3	μs
	RESET Width (Low) req. for Abort	4	T <sub>MRW</sub>	6		6	μs
DONE/PROG	Width (Low) required for Re-config.	5	T <sub>PGW</sub>	6		6	μs
	INIT response after D/P is pulled Low	6	T <sub>PGI</sub>		7	7	μs
PWRDWN (3)	Power Down V <sub>CC</sub>		V <sub>CCPD</sub>	2.3		2.3	V

- Notes:
- At power-up, V<sub>cc</sub> must rise from 2.0 V to V<sub>cc</sub> min in less than 25 ms. If this is not possible, configuration can be delayed by holding RESET Low until V<sub>cc</sub> has reached 4.0 V (2.5 V for XC3000L). A very long V<sub>cc</sub> rise time of >100 ms, or a non-monotonically rising V<sub>cc</sub> may require a >1-μs High level on RESET, followed by a >6-μs Low level on RESET and D/P after V<sub>cc</sub> has reached 4.0 V (2.5 V for XC3000L).
  - RESET timing relative to valid mode lines (M0, M1, M2) is relevant when RESET is used to delay configuration.
  - PWRDWN transitions must occur while V<sub>cc</sub> > 4.0 V (2.5 V for XC3000L).

## Performance

### Device Performance

The XC3000 families of FPGAs can achieve very high performance. This is the result of

- A sub-micron manufacturing process, developed and continuously being enhanced for the production of state-of-the-art CMOS SRAMs.
- Careful optimization of transistor geometries, circuit design, and lay-out, based on years of experience with the XC3000 family.
- A look-up table based, coarse-grained architecture that can collapse multiple-layer combinatorial logic into a single function generator. One CLB can implement up to four layers of conventional logic in as little as 2.7 ns.

Actual system performance is determined by the timing of critical paths, including the delay through the combinatorial and sequential logic elements within CLBs and IOBs, plus the delay in the interconnect routing. The ac-timing specifications state the worst-case timing parameters for the various logic resources available in the XC3000-families architecture. Figure 25 shows a variety of elements involved in determining system performance.

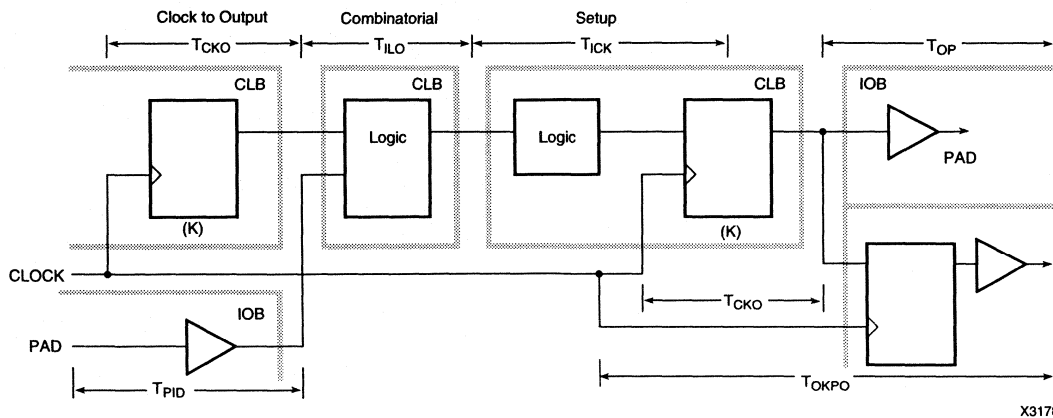
Logic block performance is expressed as the propagation time from the interconnect point at the input to the block to the output of the block in the interconnect area. Since combinatorial logic is implemented with a memory lookup table within a CLB, the combinatorial delay through the CLB, called  $T_{ILO}$ , is always the same, regardless of the function being implemented. For the combinatorial logic function driving the data input of the storage element, the critical timing is data set-up relative to the clock edge provided to the flip-flop element. The delay from the clock source to the output of the logic block is critical in the timing signals produced by storage elements. Loading of a logic-

block output is limited only by the resulting propagation delay of the larger interconnect network. Speed performance of the logic block is a function of supply voltage and temperature. See Figure 26.

Interconnect performance depends on the routing resources used to implement the signal path. Direct interconnects to the neighboring CLB provide an extremely fast path. Local interconnects go through switch matrices (magic boxes) and suffer an RC delay, equal to the resistance of the pass transistor multiplied by the capacitance of the driven metal line. Longlines carry the signal across the length or breadth of the chip with only one access delay. Generous on-chip signal buffering makes performance relatively insensitive to signal fan-out; increasing fan-out from 1 to 8 changes the CLB delay by only 10%. Clocks can be distributed with two low-skew clock distribution networks.

The tools in the XACT Development System used to place and route a design in an XC3000 FPGA (the Automatic Place and Route [APR] program and the XACT Design Editor) automatically calculate the actual maximum worst-case delays along each signal path. This timing information can be back-annotated to the design's netlist for use in timing simulation or examined with X-DELAY, a static timing analyzer.

Actual system performance is applications dependent. The maximum clock rate that can be used in a system is determined by the critical path delays within that system. These delays are combinations of incremental logic and routing delays, and vary from design to design. In a synchronous system, the maximum clock rate depends on the number of combinatorial logic layers between re-synchronizing flip-flops. Figure 27 shows the achievable clock rate as a function of the number of CLB layers.



X3178

**Figure 25. Primary Block Speed Factors.** Actual timing is a function of various block factors combined with routing factors. Overall performance can be evaluated with the XACT timing calculator or by an optional simulation.

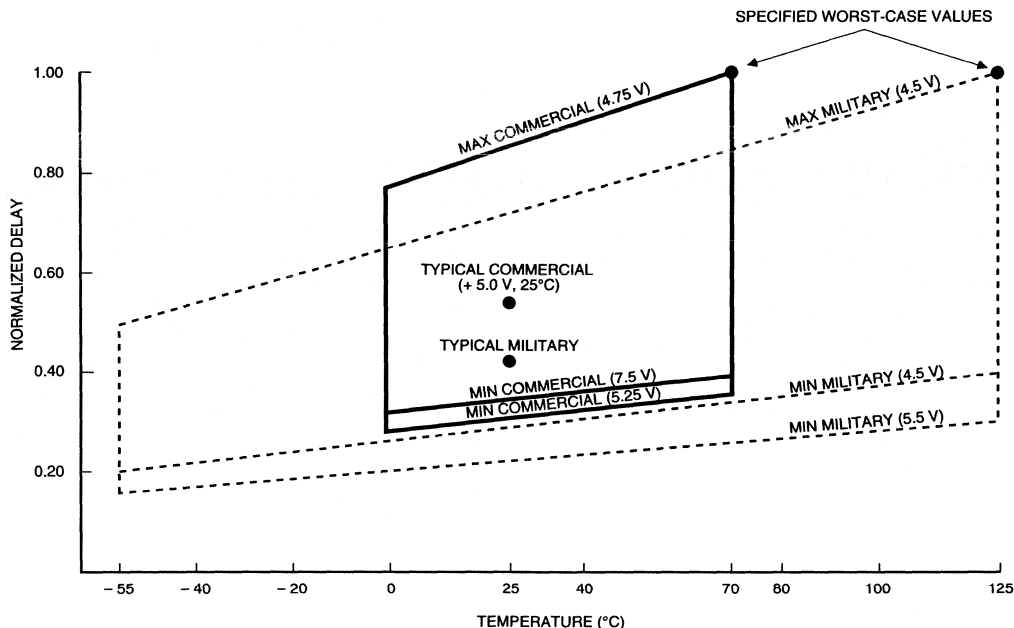


Figure 26. Relative Delay as a Function of Temperature, Supply Voltage and Processing Variations

X1045

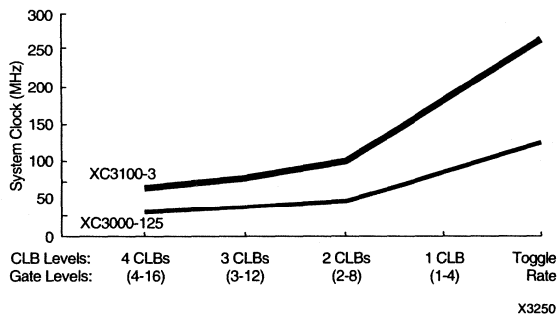


Figure 27. Clock Rate as a Function of Logic Complexity (Number of Combinational Levels between Flip-Flops)

## Power

### Power Distribution

Power for the LCA device is distributed through a grid to achieve high noise immunity and isolation between logic and I/O. Inside the LCA device, a dedicated  $V_{CC}$  and ground ring surrounding the logic array provides power to the I/O drivers. An independent matrix of  $V_{CC}$  and groundlines supplies the interior logic of the device. This power distribution grid provides a stable supply and ground for all internal logic, providing the external package power pins are all connected and appropriately decoupled. Typically a 0.1- $\mu$ F capacitor connected near the  $V_{CC}$  and ground pins will provide adequate decoupling.

Output buffers capable of driving the specified 4- or 8-mA loads under worst-case conditions may be capable of driving as much as 25 to 30 times that current in a best case. Noise can be reduced by minimizing external load capacitance and reducing simultaneous output transitions in the same direction. It may also be beneficial to locate heavily loaded output buffers near the ground pads. The I/O Block output buffers have a slew-limited mode which should be used where output rise and fall times are not speed critical. Slew-limited outputs maintain their dc drive capability, but generate less external reflections and internal noise.

---



---

### Dynamic Power Consumption

---

	XC3042	XC3042A	XC3042L	
One CLB driving 3 local interconnects	0.25	0.17	0.07	mW per MHz
One global clock buffer and clock line	2.25	1.40	0.50	mW per MHz
One device output with a 50 pF load	1.40	1.40	0.70	mW per MHz

---

#### Power Consumption

The Logic Cell Array exhibits the low power consumption characteristic of CMOS ICs. For any design, the configuration option of TTL chip input threshold requires power for the threshold reference. The power required by the static memory cells that hold the configuration data is very low and may be maintained in a power-down mode.

Typically, most of power dissipation is produced by external capacitive loads on the output buffers. This load and frequency dependent power is 25  $\mu\text{W/pF/MHz}$  per output. Another component of I/O power is the external dc loading on all output pins.

Internal power dissipation is a function of the number and size of the nodes, and the frequency at which they change. In an LCA device, the fraction of nodes changing on a given clock is typically low (10-20%). For example, in a long binary counter, the total activity of all counter flip-flops is equivalent to that of only two CLB outputs toggling at the clock frequency. Typical global clock-buffer power is between 2.0 mW/MHz for the XC3020 and 3.5 mW/MHz for the XC3090. The internal capacitive load is more a function of interconnect than fan-out. With a typical load of three general interconnect segments, each CLB output requires about 0.25 mW per MHz of its output frequency.

Because the control storage of the Logic Cell Array is CMOS static memory, its cells require a very low standby current for data retention. In some systems, this low data retention current characteristic can be used as a method of preserving configurations in the event of a primary

power loss. The Logic Cell Array has built in power-down logic which, when activated, will disable normal operation of the device and retain only the configuration data. All internal operation is suspended and output buffers are placed in their high-impedance state with no pull-ups. Different from the XC3000 family which can be powered down to a current consumption of a few microamps, the XC3100 draws 5 mA, even in power-down. This makes power-down operation less meaningful. In contrast,  $I_{CCPD}$  for the XC3000L is only 10  $\mu\text{A}$ .

To force the Logic Cell Array into the Power-Down state, the user must pull the PWRDWN pin Low and continue to supply a retention voltage to the  $V_{CC}$  pins. When normal power is restored,  $V_{CC}$  is elevated to its normal operating voltage and PWRDWN is returned to a High. The Logic Cell Array resumes operation with the same internal sequence that occurs at the conclusion of configuration. Internal-I/O and logic-block storage elements will be reset, the outputs will become enabled and the DONE/ $\overline{\text{PROG}}$  pin will be released.

When  $V_{CC}$  is shut down or disconnected, some power might unintentionally be supplied from an incoming signal driving an I/O pin. The conventional electro-static input protection is implemented with diodes to the supply and ground. A positive voltage applied to an input (or output) will cause the positive protection diode to conduct and drive the  $V_{CC}$  connection. This condition can produce invalid power conditions and should be avoided. A large series resistor might be used to limit the current or a bipolar buffer may be used to isolate the input signal.

## Pin Descriptions

### Permanently Dedicated Pins.

#### $V_{CC}$

Two to eight (depending on package type) connections to the positive  $V$  supply voltage. All must be connected.

---

#### GND

Two to eight (depending on package type) connections to ground. All must be connected.

---

#### PWRDWN

A Low on this CMOS-compatible input stops all internal activity, but retains configuration. All flip-flops and latches are reset, all outputs are 3-stated, and all inputs are interpreted as High, independent of their actual level. When PWRDWN returns High, the LCA device becomes operational with DONE Low for two cycles of the internal 1-MHz clock. During configuration, PWRDWN must be High. If not used, PWRDWN must be tied to  $V_{CC}$ .

---

#### RESET

This is an active Low input which has three functions.

Prior to the start of configuration, a Low input will delay the start of the configuration process. An internal circuit senses the application of power and begins a minimal time-out cycle. When the time-out and RESET are complete, the levels of the M lines are sampled and configuration begins.

If RESET is asserted during a configuration, the LCA device is re-initialized and restarts the configuration at the termination of RESET.

If RESET is asserted after configuration is complete, it provides a global asynchronous RESET of all IOB and CLB storage elements of the LCA device.

---

#### CCLK

During configuration, Configuration Clock is an output of an LCA device in Master mode or Peripheral mode, but an input in Slave mode. During Readback, CCLK is a clock input for shifting configuration data out of the LCA device

CCLK drives dynamic circuitry inside the LCA device. The Low time may, therefore, not exceed a few microseconds. When used as an input, CCLK must be "parked High". An internal pull-up resistor maintains High when the pin is not being driven.

---

#### DONE/PROG (D/P)

DONE is an open-drain output, configurable with or without an internal pull-up resistor. At the completion of configuration, the LCA device circuitry becomes active in a synchronous order; DONE is programmed to go active High one cycle either before or after the outputs go active.

Once configuration is done, a High-to-Low transition of this pin will cause an initialization of the LCA device and start a reconfiguration.

---

#### M0/RTRIG

As Mode 0, this input is sampled on power-on to determine the power-on delay ( $2^{14}$  cycles if M0 is Low,  $2^{16}$  cycles if M0 is High). Before the start of configuration, this input is again sampled together with M1, M2 to determine the configuration mode to be used.

A Low-to-High input transition, after configuration is complete, acts as a Read Trigger and initiates a Readback of configuration and storage-element data clocked by CCLK. By selecting the appropriate Readback option when generating the bitstream, this operation may be limited to a single Readback, or be inhibited altogether.

---

#### M1/RDATA

As Mode 1, this input and M0, M2 are sampled before the start of configuration to establish the configuration mode to be used. If Readback is never used, M1 can be tied directly to ground or  $V_{CC}$ . If Readback is ever used, M1 must use a 5-k $\Omega$  resistor to ground or  $V_{CC}$ , to accommodate the RDATA output.

As an active-Low Read Data, after configuration is complete, this pin is the output of the Readback data.

User I/O Pins that can have special functions.

### **M2**

During configuration, this input has a weak pull-up resistor. Together with M0 and M1, it is sampled before the start of configuration to establish the configuration mode to be used. After configuration, this pin is a user-programmable I/O pin.

### **HDC**

During configuration, this output is held at a High level to indicate that configuration is not yet complete. After configuration, this pin is a user-programmable I/O pin.

### **LDC**

During Configuration, this output is held at a Low level to indicate that the configuration is not yet complete. After configuration, this pin is a user-programmable I/O pin. LDC is particularly useful in Master mode as a Low enable for an EPROM, but it must then be programmed as a High after configuration.

### **INIT**

This is an active Low open-drain output with a weak pull-up and is held Low during the power stabilization and internal clearing of the configuration memory. It can be used to indicate status to a configuring microprocessor or, as a wired AND of several slave mode devices, a hold-off signal for a master mode device. After configuration this pin becomes a user-programmable I/O pin.

### **BCLKIN**

This is a direct CMOS level input to the alternate clock buffer (Auxiliary Buffer) in the lower right corner.

### **XTL1**

This user I/O pin can be used to operate as the output of an amplifier driving an external crystal and bias circuitry.

### **XTL2**

This user I/O pin can be used as the input of an amplifier connected to an external crystal and bias circuitry. The I/O Block is left unconfigured. The oscillator configuration is activated by routing a net from the oscillator buffer symbol output and by the MakeBits program.

### **CS0, CS1, CS2, WS**

These four inputs represent a set of signals, three active Low and one active High, that are used to control configuration-data entry in the Peripheral mode. Simultaneous assertion of all four inputs generates a Write to the internal data buffer. The removal of any assertion clocks in the D0-D7 data. In Master-Parallel mode, WS and CS2 are the A0 and A1 outputs. After configuration, these pins are user-programmable I/O pins.

### **RCLK**

During Master parallel mode configuration  $\overline{\text{RCLK}}$  represents a "read" of an external dynamic memory device (normally not used). After configuration is complete, this pin becomes a user-programmed I/O pin.

### **RDY/BUSY**

During Peripheral parallel mode configuration this pin indicates when the chip is ready for another byte of data to be written to it. After configuration is complete, this pin becomes a user-programmed I/O pin.

### **D0-D7**

This set of eight pins represents the parallel configuration byte for the parallel Master and Peripheral modes. After configuration is complete, they are user-programmed I/O pins.

### **A0-A15**

During Master Parallel mode, these 16 pins present an address output for a configuration EPROM. After configuration, they are user-programmable I/O pins.

### **DIN**

During Slave or Master Serial configuration, this pin is used as a serial-data input. In the Master or Peripheral configuration, this is the Data 0 input. After configuration is complete, this pin becomes a user-programmed I/O pin.

### **DOUT**

During configuration this pin is used to output serial-configuration data to the DIN pin of a daisy-chained slave. After configuration is complete, this pin becomes a user-programmed I/O pin.

### **TCLKIN**

This is a direct CMOS-level input to the global clock buffer. This pin can also be configured as a user programmable I/O pin. However, since TCLKIN is the preferred input to the global clock net, and the global clock net should be used as the primary clock source, this pin is usually the clock input to the chip.

### **Unrestricted User I/O Pins.**

### **I/O**

An I/O pin may be programmed by the user to be an Input or an Output pin following configuration. All unrestricted I/O pins, plus the special pins mentioned on the following page, have a weak pull-up resistor of 50 k $\Omega$  to 100 k $\Omega$  that becomes active as soon as the device powers up, and stays active until the end of configuration.

Configuration Pin Assignments

Configuration Mode <M2:M1:M0>					***	68	84	84	100	100	132	160	175	****	User
SLAVE <1:1:1>	MASTER-SER <0:0:0>	PERIPHERAL <1:0:1>	MASTER-HIGH <1:1:0>	MASTER-LOW <1:0:0>	44 PLCC	PLCC	PLCC	PGA	PQFP	TOFP	PGA	PQFP	PGA	PQFP	Operation
PWRDWN (I)	PWRDWN (I)	PWRDWN (I)	PWRDWN (I)	PWRDWN (I)	7	10	12	B2	29	26	A1	159	B2	3	PWRDWN (I)
VCC	VCC	VCC	VCC	VCC	12	18	22	F3	41	38	C8	20	D9	26	VCC
M1 (HIGH) (I)	M1 (LOW) (I)	M1 (LOW) (I)	M1 (HIGH) (I)	M1 (LOW) (I)	16	25	31	J2	52	49	B13	40	B14	48	RDATA
M0 (HIGH) (I)	M0 (LOW) (I)	M0 (HIGH) (I)	M0 (LOW) (I)	M0 (LOW) (I)	17	26	32	L1	54	51	A14	42	B15	50	RTRIG (I)
M2 (HIGH) (I)	M2 (LOW) (I)	M2 (HIGH) (I)	M2 (HIGH) (I)	M2 (HIGH) (I)	18	27	33	K2	56	53	C13	44	C15	56	IO
HDC (HIGH)	HDC (HIGH)	HDC (HIGH)	HDC (HIGH)	HDC (HIGH)	19	28	34	K3	57	54	B14	45	E14	57	IO
LDC (LOW)	LDC (LOW)	LDC (LOW)	LDC (LOW)	LDC (LOW)	20	30	36	L3	59	56	D14	49	D16	61	IO
INIT*	INIT*	INIT*	INIT*	INIT*	22	34	42	K6	65	62	G14	59	H15	77	IO
GND	GND	GND	GND	GND	23	35	43	J6	66	63	H12	19	J14	79	GND
					26	43	53	L11	76	73	M13	76	P15	100	XTL2 OR IO
RESET (I)	RESET (I)	RESET (I)	RESET (I)	RESET (I)	27	44	54	K10	78	75	P14	78	R15	102	RESET (I)
DONE	DONE	DONE	DONE	DONE	28	45	55	J10	80	77	N13	80	R14	107	PPROGRAM (I)
		DATA 7 (I)	DATA 7 (I)	DATA 7 (I)	46	56	K11	81	77	M12	81	N13	109		IO
					30	47	57	J11	82	79	P13	82	T14	110	XTL1 OR IO
		DATA 6 (I)	DATA 6 (I)	DATA 6 (I)	48	58	H10	83	80	N11	86	P12	115		IO
		DATA 5 (I)	DATA 5 (I)	DATA 5 (I)	49	60	F10	87	84	M9	92	T11	122		IO
		CS0 (I)			50	61	G10	88	85	N9	93	R10	123		IO
		DATA 4 (I)	DATA 4 (I)	DATA 4 (I)	51	62	G11	89	86	N8	98	R9	128		IO
VCC	VCC	VCC	VCC	VCC	34	52	64	F9	91	88	M8	100	N9	130	Vcc
		DATA 3 (I)	DATA 3 (I)	DATA 3 (I)	53	65	F11	92	89	N7	102	P8	132		IO
		CS1 (I)			54	66	E11	93	90	P6	103	R8	133		IO
		DATA 2 (I)	DATA 2 (I)	DATA 2 (I)	55	67	E10	94	91	M6	108	R7	138		IO
		DATA 1 (I)	DATA 1 (I)	DATA 1 (I)	56	70	D10	98	95	M5	114	R5	145		IO
		RDY/BUSY	RCLK	RCLK	57	71	C11	99	96	N4	115	P5	146		IO
DIN (I)	DIN (I)	DATA 0 (I)	DATA 0 (I)	DATA 0 (I)	38	58	72	B11	100	97	N2	119	R3	151	IO
DOUT	DOUT	DOUT	DOUT	DOUT	39	59	73	C10	1	98	M3	120	N4	152	IO
CCLK (I)	CCLK(O)	CCLK(O)	CCLK(O)	CCLK(O)	40	60	74	A11	2	99	P1	121	H2	153	CCLK (I)
		WS (I)	A0	A0	61	75	B10	5	2	M2	124	P2	161		IO
		CS2 (I)	A1	A1	62	76	B9	6	3	N1	125	M3	162		IO
			A2	A2	63	77	A10	8	5	L2	128	P1	165		IO
			A3	A3	64	78	A9	9	6	L1	129	N1	166		IO
			A15	A15	65	81	B6	12	9	K1	132	M1	172		IO
			A4	A4	66	82	B7	13	10	J2	133	L2	173		IO
			A14	A14	67	83	A7	14	11	H1	136	K2	178		IO
			A5	A5	68	84	C7	15	12	H2	137	K1	179		IO
GND	GND	GND	GND	GND	1	1	1	C6	16	13	H3	139	J3	182	GND
			A13	A13	2	2	A6	17	14	G2	141	H2	184		IO
			A6	A6	3	3	A5	18	15	G1	142	H1	185		IO
			A12	A12	4	4	B5	19	16	F2	147	F2	192		IO
			A7	A7	5	5	C5	20	17	D1	148	E1	193		IO
			A11	A11	6	8	A3	23	20	E1	151	D1	199		IO
			A8	A8	7	9	A2	24	21	D2	152	C1	200		IO
			A10	A10	8	10	B3	25	22	B1	155	E3	203		IO
			A9	A9	9	11	A1	26	26	C2	156	C2	204		IO
															XC3020 etc.
															XC3030 etc.
															XC3042 etc.
															XC3064 etc.
															XC3090 etc.
															XC3195

- Represents a 58-kΩ to 100-kΩ pull-up
- \* INIT is an open drain output during configuration
- (I) Represents an input
- \*\* Pin assignment for the XC3064/XC3090 and XC3195 differ from those shown. See pages 2-135.
- \*\*\* Peripheral mode and master parallel mode are not supported in the PC44 package. See page 2-133.
- \*\*\*\* Pin assignments for the XC3195 PQ208 differ from those shown. See page 2-142.

X	X	X	X	X												XC3020 etc.
X	X	X	X	X	X											XC3030 etc.
					X	X	X	X	X							XC3042 etc.
					X**					X						XC3064 etc.
					X**						X	X	X			XC3090 etc.
					X**						X	X	X			XC3195

X3174

Note: Pin assignments of PGA Footprint PLCC sockets and PGA packages are not electrically identical. Generic I/O pins are not shown.



## XC3000 Families Pin Assignments

Xilinx offers the six different array sizes in the XC3000 families in a variety of surface-mount and through-hole package types, with pin counts from 44 to 223.

Each chip is offered in several package types to accommodate the available pc board space and manufacturing technology. Most package types are also offered with different chips to accommodate design changes without the need for pc board changes.

Note that there is no perfect match between the number of bonding pads on the chip and the number of pins on a package. In some cases, the chip has more pads than there are pins on the package, as indicated by the information ("unused" pads) below the line in the following table. The IOBs of the unconnected pads can still be used as storage elements if the specified propagation delays and set-up times are acceptable.

In other cases, the chip has fewer pads than there are pins on the package; therefore, some package pins are not connected (n.c.), as shown above the line in the following table.

Device	Pads	Number of Package Pins								
		44	68	84	100	132	160	175	208	223
XC3020	74	—	6 unused	10 n.c.	26 n.c.	—	—	—	—	—
XC3030	98	54 unused	30 unused	14 unused	2 n.c.	—	—	—	—	—
XC3042	118	—	—	34 unused	18 unused	14 n.c.	—	—	—	—
XC3064	142	—	—	58 unused	—	10 unused	18 n.c.	—	—	—
XC3090	166	—	—	82 unused	—	—	6 unused	9 n.c.	42 n.c.	—
XC3195	198	—	—	114 unused	—	—	—	9 n.c. 32 unused	10 n.c.	25 n.c.

n.c. = Unconnected package pin  
unused = Unbonded device pad

### XC3000 Family 44-Pin PLCC Pinouts

XC3000, XC3000A, XC3000L and XC3100 families have identical pinouts

Pin No.	XC3030, etc.
1	<b>GND</b>
2	I/O
3	I/O
4	I/O
5	I/O
6	I/O
7	PWRDWN
8	TCLKIN-I/O
9	I/O
10	I/O
11	I/O
12	<b>VCC</b>
13	I/O
14	I/O
15	I/O
16	M1-RDATA
17	M0-RTRIG
18	M2-I/O
19	HDC-I/O
20	LDC-I/O
21	I/O
22	INIT-I/O

Pin No.	XC3030, etc.
23	<b>GND</b>
24	I/O
25	I/O
26	XTL2(IN)-I/O
27	RESET
28	DONE-PGM
29	I/O
30	XTL1(OUT)-BCLK-I/O
31	I/O
32	I/O
33	I/O
34	<b>VCC</b>
35	I/O
36	I/O
37	I/O
38	DIN-I/O
39	DOUT-I/O
40	CCLK
41	I/O
42	I/O
43	I/O
44	I/O

Peripheral mode and Master Parallel mode are not supported in the PC44 package

XC3000 Families 68-Pin PLCC, 84-Pin PLCC and PGA Pinouts

XC3000, XC3000A, XC3000L and XC3100 families have identical pinouts

68 PLCC		XC3020 XC3030, XC3042	84 PLCC	84 PGA
XC3030	XC3020			
10	10	PWRDN	12	B2
11	11	TCLKIN-I/O	13	C2
12	—	I/O*	14	B1
13	12	I/O	15	C1
14	13	I/O	16	D2
—	—	I/O	17	D1
15	14	I/O	18	E3
16	15	I/O	19	E2
—	16	I/O	20	E1
17	17	I/O	21	F2
18	18	VCC	22	F3
19	19	I/O	23	G3
—	—	I/O	24	G1
20	20	I/O	25	G2
—	21	I/O	26	F1
21	22	I/O	27	H1
22	—	I/O	28	H2
23	23	I/O	29	J1
24	24	I/O	30	K1
25	25	M1-RDATA	31	J2
26	26	M0-RTRIG	32	L1
27	27	M2-I/O	33	K2
28	28	HDC-I/O	34	K3
29	29	I/O	35	L2
30	30	LDC-I/O	36	L3
—	31	I/O	37	K4
—	—	I/O*	38	L4
31	32	I/O	39	J5
32	33	I/O	40	K5
33	—	I/O*	41	L5
34	34	INIT-I/O	42	K6
35	35	GND	43	J6
36	36	I/O	44	J7
37	37	I/O	45	L7
38	38	I/O	46	K7
39	39	I/O	47	L6
—	40	I/O	48	L8
—	41	I/O	49	K8
40	—	I/O*	50	L9
41	—	I/O*	51	L10
42	42	I/O	52	K9
43	43	XTL2(IN)-I/O	53	L11

68 PLCC XC3030 XC3020	XC3020 XC3030, XC3042	84 PLCC	84 PGA
44	RESET	54	K10
45	DONE-PG	55	J10
46	D7-I/O	56	K11
47	XTL1(OUT)-BCLKIN-I/O	57	J11
48	D6-I/O	58	H10
—	I/O	59	H11
49	D5-I/O	60	F10
50	CS0-I/O	61	G10
51	D4-I/O	62	G11
—	I/O	63	G9
52	VCC	64	F9
53	D3-I/O	65	F11
54	CS1-I/O	66	E11
55	D2-I/O	67	E10
—	I/O	68	E9
—	I/O*	69	D11
56	D1-I/O	70	D10
57	RDY/BUSY-RCLK-I/O	71	C11
58	D0-DIN-I/O	72	B11
59	DOUT-I/O	73	C10
60	CCLK	74	A11
61	A0-WS-I/O	75	B10
62	A1-CS2-I/O	76	B9
63	A2-I/O	77	A10
64	A3-I/O	78	A9
—	I/O*	79	B8
—	I/O*	80	A8
65	A15-I/O	81	B6
66	A4-I/O	82	B7
67	A14-I/O	83	A7
68	A5-I/O	84	C7
1	GND	1	C6
2	A13-I/O	2	A6
3	A6-I/O	3	A5
4	A12-I/O	4	B5
5	A7-I/O	5	C5
—	I/O*	6	A4
—	I/O*	7	B4
6	A11-I/O	8	A3
7	A8-I/O	9	A2
8	A10-I/O	10	B3
9	A9-I/O	11	A1

Unprogrammed IOBs have a default pull-up. This prevents an undefined pad level for unbonded or unused IOBs. Programmed outputs are default slew-rate limited.

This table describes the pinouts of three different chips in three different packages. The second column lists 84 of the 118 pads on the XC3042 (and 84 of the 98 pads on the XC3030) that are connected to the 84 package pins. Ten pads, indicated by an asterisk, do not exist on the XC3020, which has 74 pads; therefore the corresponding pins on the 84-pin packages have no connections to an XC3020. Six pads on the XC3020 and 16 pads on the XC3030, indicated by a dash (—) in the 68 PLCC column, have no connection to the 68 PLCC, but are connected to the 84-pin packages.

## XC3064/XC3090/XC3195 84-Pin PLCC Pinouts

XC3000, XC3000A, XC3000L and XC3100 families have identical pinouts

PLCC Pin Number	XC3064, XC3090, XC3195
12	PWRDN
13	TCLKIN-I/O
14	I/O
15	I/O
16	I/O
17	I/O
18	I/O
19	I/O
20	I/O
21	<b>GND*</b>
22	VCC
23	I/O
24	I/O
25	I/O
26	I/O
27	I/O
28	I/O
29	I/O
30	I/C
31	M1-RDATA
32	M0-RTRIG
33	M2-I/O
34	HDC-I/O
35	I/O
36	LDC-I/O
37	I/O
38	I/O
39	I/O
40	I/O
41	INIT/I/O*
42	<b>VCC*</b>
43	<b>GND</b>
44	I/O
45	I/O
46	I/O
47	I/O
48	I/O
49	I/O
50	I/O
51	I/O
52	I/O
53	XTL2(IN)-I/O

PLCC Pin Number	XC3064, XC3090, XC3195
54	RESET
55	DONE-PG
56	D7-I/O
57	XTL1(OUT)-BCLKIN-I/O
58	D6-I/O
59	I/O
60	D5-I/O
61	CS0-I/O
62	D4-I/O
63	I/O
64	VCC
65	<b>GND*</b>
66	D3-I/O*
67	CS1-I/O*
68	D2-I/O*
69	I/O
70	D1-I/O
71	RDY/BUSY-RCLK-I/O
72	D0-DIN-I/O
73	DOUT-I/O
74	CCLK
75	A0-WS-I/O
76	A1-CS2-I/O
77	A2-I/O
78	A3-I/O
79	I/O
80	I/O
81	A15-I/O
82	A4-I/O
83	A14-I/O
84	A5-I/O
1	<b>GND</b>
2	<b>VCC*</b>
3	A13-I/O*
4	A6-I/O*
5	A12-I/O*
6	A7-I/O*
7	I/O
8	A11-I/O
9	A8-I/O
10	A10-I/O
11	A9-I/O

Unprogrammed IOBs have a default pull-up. This prevents an undefined pad level for unbonded or unused IOBs. Programmed outputs are default slew-rate limited.

\* Different pin definition than XC3020/XC3030/XC3042 PC84 package

## XC3000 Families 100-Pin QFP Pinouts

XC3000, XC3000A, XC3000L and XC3100 families have identical pinouts.  
100-pin TQFP pinout is identical to 100-pin VQFP pinout

Pin No.			XC3020 XC3030 XC3042	Pin No.			XC3020 XC3030 XC3042	Pin No.			XC3020 XC3030 XC3042
CQFP	PQFP	TQFP		CQFP	PQFP	TQFP		CQFP	PQFP	TQFP	
1	16	13	GND	35	50	47	I/O*	69	84	81	I/O*
2	17	14	A13-I/O	36	51	48	I/O*	70	85	82	I/O*
3	18	15	A6-I/O	37	52	49	M1-RD	71	86	83	I/O
4	19	16	A12-I/O	38	53	50	GND*	72	87	84	D5-I/O
5	20	17	A7-I/O	39	54	51	MO-RT	73	88	85	CS0-I/O
6	21	18	I/O*	40	55	52	VCC*	74	89	86	D4-I/O
7	22	19	I/O*	41	56	53	M2-I/O	75	90	87	I/O
8	23	20	A11-I/O	42	57	54	HDC-I/O	76	91	88	VCC
9	24	21	A8-I/O	43	58	55	I/O	77	92	89	D3-I/O
10	25	22	A10-I/O	44	59	56	LDC-I/O	78	93	90	CS1-I/O
11	26	23	A9-I/O	45	60	57	I/O*	79	94	91	D2-I/O
12	27	24	VCC*	46	61	58	I/O*	80	95	92	I/O
13	28	25	GND*	47	62	59	I/O	81	96	93	I/O*
14	29	26	PWRDN	48	63	60	I/O	82	97	94	I/O*
15	30	27	TCLKIN-I/O	49	64	61	I/O	83	98	95	D1-I/O
16	31	28	I/O**	50	65	62	INIT-I/O	84	99	96	RCLK-BUSY/RDY-I/O
17	32	29	I/O*	51	66	63	GND	85	100	97	DO-DIN-I/O
18	33	30	I/O*	52	67	64	I/O	86	1	98	DO-OUT-I/O
19	34	31	I/O	53	68	65	I/O	87	2	99	CCLK
20	35	32	I/O	54	69	66	I/O	88	3	100	VCC*
21	36	33	I/O	55	70	67	I/O	89	4	1	GND*
22	37	34	I/O	56	71	68	I/O	90	5	2	AO-WS-I/O
23	38	35	I/O	57	72	69	I/O	91	6	3	A1-CS2-I/O
24	39	36	I/O	58	73	70	I/O	92	7	4	I/O**
25	40	37	I/O	59	74	71	I/O*	93	8	5	A2-I/O
26	41	38	VCC	60	75	72	I/O*	94	9	6	A3-I/O
27	42	39	I/O	61	76	73	XTL2-I/O	95	10	7	I/O*
28	43	40	I/O	62	77	74	GND*	96	11	8	I/O*
29	44	41	I/O	63	78	75	RESET	97	12	9	A15-I/O
30	45	42	I/O	64	79	76	VCC*	98	13	10	A4-I/O
31	46	43	I/O	65	80	77	DONE-PG	99	14	11	A14-I/O
32	47	44	I/O	66	81	78	D7-I/O	100	15	12	A5-I/O
33	48	45	I/O	67	82	79	BCLKIN-XTL1-I/O				
34	49	46	I/O	68	83	80	D6-I/O				

Unprogrammed IOBs have a default pull-up. This prevents an undefined pad level for unbonded or unused IOBs. Programmed outputs are default slew-rate limited.

\* This table describes the pinouts of three different chips in three different packages. The third column lists 100 of the 118 pads on the XC3042 that are connected to the 100 package pins. Two pads, indicated by double asterisks, do not exist on the XC3030, which has 98 pads; therefore the corresponding pins have no connections. Twenty-six pads, indicated by single or double asterisks, do not exist on the XC3020, which has 74 pads; therefore, the corresponding pins have no connections. (See table on page 2-133.)

## XC3000 Families 132-Pin Ceramic and Plastic PGA Pinouts

XC3000, XC3000A, XC3000L and XC3100 families have identical pinouts

PGA Pin Number	XC3042 XC3064	PGA Pin Number	XC3042 XC3064	PGA Pin Number	XC3042 XC3064	PGA Pin Number	XC3042 XC3064
C4	<b>GND</b>	B13	M1-RD	P14	RESET	M3	DOUT-I/O
A1	PWRDN	C11	<b>GND</b>	M11	<b>VCC</b>	P1	CCLK
C3	I/O-TCLKIN	A14	M0-RT	N13	DONE-PG	M4	<b>VCC</b>
B2	I/O	D12	<b>VCC</b>	M12	D7-I/O	L3	<b>GND</b>
B3	I/O	C13	M2-I/O	P13	XTL1-I/O-BCLKIN	M2	A0-WS-I/O
A2	<b>I/O*</b>	B14	HDC-I/O	N12	I/O	N1	A1-CS2-I/O
B4	I/O	C14	I/O	P12	I/O	M1	I/O
C5	I/O	E12	I/O	N11	D6-I/O	K3	I/O
A3	<b>I/O*</b>	D13	I/O	M10	I/O	L2	A2-I/O
A4	I/O	D14	LDC-I/O	P11	<b>I/O*</b>	L1	A3-I/O
B5	I/O	E13	<b>I/O*</b>	N10	I/O	K2	I/O
C6	I/O	F12	I/O	P10	I/O	J3	I/O
A5	I/O	E14	I/O	M9	D5-I/O	K1	A15-I/O
B6	I/O	F13	I/O	N9	CS0-I/O	J2	A4-I/O
A6	I/O	F14	I/O	P9	<b>I/O*</b>	J1	<b>I/O*</b>
B7	I/O	G13	I/O	Pr	<b>I/O*</b>	H1	A14-I/O
C7	<b>GND</b>	G14	INIT-I/O	N8	D4-I/O	H2	A5-I/O
C8	<b>VCC</b>	G12	<b>VCC</b>	P7	I/O	H3	<b>GND</b>
A7	I/O	H12	<b>GND</b>	M8	<b>VCC</b>	G3	<b>VCC</b>
B8	I/O	H14	I/O	M7	<b>GND</b>	G2	A13-I/O
A8	I/O	H13	I/O	N7	D3-I/O	G1	A6-I/O
A9	I/O	J14	I/O	P6	CS1-I/O	F1	<b>I/O*</b>
B9	I/O	J13	I/O	N6	<b>I/O*</b>	F2	A12-I/O
C9	I/O	K14	I/O	P5	<b>I/O*</b>	E1	A7-I/O
A10	I/O	J12	I/O	M6	D2-I/O	F3	I/O
B10	I/O	K13	I/O	N5	I/O	E2	I/O
A11	<b>I/O*</b>	L14	<b>I/O*</b>	P4	I/O	D1	A11-I/O
C10	I/O	L13	I/O	P3	I/O	D2	A8-I/O
B11	I/O	K12	I/O	M5	D1-I/O	E3	I/O
A12	<b>I/O*</b>	M14	I/O	N4	RCLK-BUSY/RDY-I/O	C1	I/O
B12	I/O	N14	I/O	P2	I/O	B1	A10-I/O
A13	<b>I/O*</b>	M13	XTL2(IN)-I/O	N3	I/O	C2	A9-I/O
C12	I/O	L12	<b>GND</b>	N2	D0-DIN-I/O	D3	<b>VCC</b>

Unprogrammed IOBs have a default pull-up. This prevents an undefined pad level for unbonded or unused IOBs. Programmed outputs are default slew-rate limited.

\* Indicates unconnected package pins (14) for the XC3042.

**XC3000 Families 144-Pin Plastic TQFP Pinouts**

XC3000A, XC3000L and XC3100 families have identical pinouts

Pin Number	XC3042A
1	PWRDN
2	I/O-TCLKIN
4	I/O
5	I/O
7	I/O
8	I/O
10	I/O
11	I/O
12	I/O
13	I/O
14	I/O
16	I/O
17	I/O
18	GND
19	VCC
20	I/O
21	I/O
22	I/O
23	I/O
24	I/O
25	I/O
26	I/O
27	I/O
29	I/O
30	I/O
33	I/O
35	I/O
36	M1-RD
37	GND
38	MO-RT
39	VCC
40	M2-I/O
41	HDC-I/O
42	I/O
43	I/O
44	I/O
45	LDC-I/O
47	I/O
48	I/O
49	I/O

Pin Number	XC3042A
51	I/O
52	I/O
53	INIT-I/O
54	VCC
55	GND
56	I/O
57	I/O
58	I/O
59	I/O
60	I/O
61	I/O
62	I/O
65	I/O
66	I/O
67	I/O
68	I/O
69	XTL2-I/O
70	GND
71	RESET
72	VCC
73	DONE-PG
74	D7-I/O
75	BCLKIN-XTL1-I/O
76	I/O
77	I/O
78	D6-I/O
79	I/O
81	I/O
82	I/O
84	D5-I/O
85	CS0-I/O
88	D4-I/O
89	I/O
90	VCC
91	GND
92	D3-I/O
93	CS1-I/O
96	D2-I/O
97	I/O

Pin Number	XC3042A
98	I/O
100	I/O
102	D1-I/O
103	RCLK-BUSY/RDY-I/O
104	I/O
105	I/O
106	D0-DIN-I/O
107	DOU-I/O
108	CCLK
109	VCC
110	GND
111	A0-WSI/O
112	A1-CS2-I/O
113	I/O
114	I/O
115	A2-I/O
116	A3-I/O
117	I/O
118	I/O
119	A15-I/O
120	A4-I/O
123	A14-I/O
124	A5-I/O
126	GND
127	VCC
128	A13-I/O
129	A6-I/O
133	A12-I/O
134	A7-I/O
135	I/O
136	I/O
137	A11-I/O
138	A8-I/O
139	I/O
140	I/O
141	A10-I/O
142	A9-I/O
143	VCC
144	GND

## XC3000 Families 160-Pin PQFP Pinouts

XC3000, XC3000A, XC3000L and XC3100 families have identical pinouts

PQFP Pin Number	XC3064, XC3090, XC3195
1	I/O*
2	I/O*
3	I/O*
4	I/O
5	I/O
6	I/O
7	I/O
8	I/O
9	I/O
10	I/O
11	I/O
12	I/O
13	I/O
14	I/O
15	I/O
16	I/O
17	I/O
18	I/O
19	<b>GND</b>
20	<b>VCC</b>
21	I/O*
22	I/O
23	I/O
24	I/O
25	I/O
26	I/O
27	I/O
28	I/O
29	I/O
30	I/O
31	I/O
32	I/O
33	I/O
34	I/O
35	I/O
36	I/O
37	I/O
38	I/O*
39	I/O*
40	M1-RDATA

PQFP Pin Number	XC3064, XC3090, XC3195
41	<b>GND</b>
42	M0-RTRIG
43	<b>VCC</b>
44	M2-I/O
45	HDC-I/O
46	I/O
47	I/O
48	I/O
49	LDC-I/O
50	I/O*
51	I/O*
52	I/O
53	I/O
54	I/O
55	I/O
56	I/O
57	I/O
58	I/O
59	INIT-I/O
60	<b>VCC</b>
61	<b>GND</b>
62	I/O
63	I/O
64	I/O
65	I/O
66	I/O
67	I/O
68	I/O
69	I/O
70	I/O
71	I/O
72	I/O
73	I/O
74	I/O
75	I/O*
76	XTL2-I/O
77	<b>GND</b>
78	<b>RESET</b>
79	<b>VCC</b>
80	DONE/PG

PQFP Pin Number	XC3064, XC3090, XC3195
81	D7-I/O
82	XTL1-I/O-BCLKIN
83	I/O*
84	I/O
85	I/O
86	D6-I/O
87	I/O
88	I/O
89	I/O
90	I/O
91	I/O
92	D5-I/O
93	CS0-I/O
94	I/O*
95	I/O*
96	I/O
97	I/O
98	D4-I/O
99	I/O
100	<b>VCC</b>
101	<b>GND</b>
102	D3-I/O
103	CS1-I/O
104	I/O
105	I/O
106	I/O*
107	I/O*
108	D2-I/O
109	I/O
110	I/O
111	I/O
112	I/O
113	I/O
114	D1-I/O
115	RDY-BSY/RCLK-I/O
116	I/O
117	I/O
118	I/O*
119	D0-DIN-I/O
120	DOUT-I/O

PQFP Pin Number	XC3064, XC3090, XC3195
121	<b>CCLK</b>
122	<b>VCC</b>
123	<b>GND</b>
124	A0-WS-I/O
125	A1-CS2-I/O
126	I/O
127	I/O
128	A2-I/O
129	A3-I/O
130	I/O
131	I/O
132	A15-I/O
133	A4-I/O
134	I/O
135	I/O
136	A14-I/O
137	A5-I/O
138	I/O*
139	<b>GND</b>
140	<b>VCC</b>
141	A13-I/O
142	A6-I/O
143	I/O*
144	I/O*
145	I/O
146	I/O
147	A12-I/O
148	A7-I/O
149	I/O
150	I/O
151	A11-I/O
152	A8-I/O
153	I/O
154	I/O
155	A10-I/O
156	A9-I/O
157	<b>VCC</b>
158	<b>GND</b>
159	PWRDWN
160	TCLKIN-I/O

Unprogrammed IOBs have a default pull-up. This prevents an undefined pad level for unbonded or unused IOBs. Programmed IOBs are default slew-rate limited.

\*Indicates unconnected package pins (18) for the XC3064.

## XC3000 Families 175-Pin Ceramic and Plastic PGA Pinouts

XC3000, XC3000A, XC3000L and XC3100 families have identical pinouts

PGA Pin Number	XC3090, XC3195	PGA Pin Number	XC3090, XC3195	PGA Pin Number	XC3090, XC3195	PGA Pin Number	XC3090, XC3195
B2	PWRDN	D13	I/O	R14	DONE-PG	R3	D0-DIN-I/O
D4	TCLKIN-I/O	B14	M1-RDATA	N13	D7-I/O	N4	DOUT-I/O
B3	I/O	C14	<b>GND</b>	T14	XTL1(OUT)-BCLKIN-I/O	R2	CCLK
C4	I/O	B15	M0-RTRIG	P13	I/O	P3	<b>VCC</b>
B4	I/O	D14	<b>VCC</b>	R13	I/O	N3	<b>GND</b>
A4	I/O	C15	M2-I/O	T13	I/O	P2	A0-WS-I/O
D5	I/O	E14	HDC-I/O	N12	I/O	M3	A1-CS2-I/O
C5	I/O	B16	I/O	P12	D6-I/O	R1	I/O
B5	I/O	D15	I/O	R12	I/O	N2	I/O
A5	I/O	C16	I/O	T12	I/O	P1	A2-I/O
C6	I/O	D16	LDC-I/O	P11	I/O	N1	A3-I/O
D6	I/O	F14	I/O	N11	I/O	L3	I/O
B6	I/O	E15	I/O	R11	I/O	M2	I/O
A6	I/O	E16	I/O	T11	D5-I/O	M1	A15-I/O
B7	I/O	F15	I/O	R10	CS0-I/O	L2	A4-I/O
C7	I/O	F16	I/O	P10	I/O	L1	I/O
D7	I/O	G14	I/O	N10	I/O	K3	I/O
A7	I/O	G15	I/O	T10	I/O	K2	A14-I/O
A8	I/O	G16	I/O	T9	I/O	K1	A5-I/O
B8	I/O	H16	I/O	R9	D4-I/O	J1	I/O
C8	I/O	H15	INIT-I/O	P9	I/O	J2	I/O
D8	<b>GND</b>	H14	<b>VCC</b>	N9	<b>VCC</b>	J3	<b>GND</b>
D9	<b>VCC</b>	J14	<b>GND</b>	N8	<b>GND</b>	H3	<b>VCC</b>
C9	I/O	J15	I/O	P8	D3-I/O	H2	A13-I/O
B9	I/O	J16	I/O	R8	CS1-I/O	H1	A6-I/O
A9	I/O	K16	I/O	T8	I/O	G1	I/O
A10	I/O	K15	I/O	T7	I/O	G2	I/O
D10	I/O	K14	I/O	N7	I/O	G3	I/O
C10	I/O	L16	I/O	P7	I/O	F1	I/O
B10	I/O	L15	I/O	R7	D2-I/O	F2	A12-I/O
A11	I/O	M16	I/O	T6	I/O	E1	A7-I/O
B11	I/O	M15	I/O	R6	I/O	E2	I/O
D11	I/O	L14	I/O	N6	I/O	F3	I/O
C11	I/O	N16	I/O	P6	I/O	D1	A11-I/O
A12	I/O	P16	I/O	T5	I/O	C1	A8-I/O
B12	I/O	N15	I/O	R5	D1-I/O	D2	I/O
C12	I/O	R16	I/O	P5	RDY/BUSY-RCLK-I/O	B1	I/O
D12	I/O	M14	I/O	N5	I/O	E3	A10-I/O
A13	I/O	P15	XTL2(IN)-I/O	T4	I/O	C2	A9-I/O
B13	I/O	N14	<b>GND</b>	R4	I/O	D3	<b>VCC</b>
C13	I/O	R15	RESET	P4	I/O	C3	<b>GND</b>
A14	I/O	P14	<b>VCC</b>				

Unprogrammed IOBs have a default pull-up. This prevents an undefined pad level for unbonded or unused IOBs. Programmed outputs are default slew-rate limited.

Pins A2, A3, A15, A16, T1, T2, T3, T15 and T16 are not connected. Pin A1 does not exist.



## XC3090 208-Pin PQFP Pinouts

XC3000, XC3000A and XC3100 families have identical pinouts

Pin Number	XC3090	Pin Number	XC3090	Pin Number	XC3090	Pin Number	XC3090
1	–	53	–	105	–	157	–
2	<b>GND</b>	54	–	106	<b>VCC</b>	158	–
3	PWRDWN	55	<b>VCC</b>	107	D/P	159	–
4	TCLKIN-I/O	56	M2-I/O	108	–	160	<b>GND</b>
5	I/O	57	HDC-I/O	109	D7-I/O	161	WS-A0-I/O
6	I/O	58	I/O	110	XTL1-BCLKIN-I/O	162	CS2-A1-I/O
7	I/O	59	I/O	111	I/O	163	I/O
8	I/O	60	I/O	112	I/O	164	I/O
9	I/O	61	LDC-I/O	113	I/O	165	A2-I/O
10	I/O	62	I/O	114	I/O	166	A3-I/O
11	I/O	63	I/O	115	D6-I/O	167	I/O
12	I/O	64	–	116	I/O	168	I/O
13	I/O	65	–	117	I/O	169	–
14	I/O	66	–	118	I/O	170	–
15	–	67	–	119	–	171	–
16	I/O	68	I/O	120	I/O	172	A15-I/O
17	I/O	69	I/O	121	I/O	173	A4-I/O
18	I/O	70	I/O	122	D5-I/O	174	I/O
19	I/O	71	I/O	123	CS0-I/O	175	I/O
20	I/O	72	–	124	I/O	176	–
21	I/O	73	–	125	I/O	177	–
22	I/O	74	I/O	126	I/O	178	A14-I/O
23	I/O	75	I/O	127	I/O	179	A5-I/O
24	I/O	76	I/O	128	D4-I/O	180	I/O
25	<b>GND</b>	77	INIT-I/O	129	I/O	181	I/O
26	<b>VCC</b>	78	<b>VCC</b>	130	<b>VCC</b>	182	<b>GND</b>
27	I/O	79	<b>GND</b>	131	<b>GND</b>	183	<b>VCC</b>
28	I/O	80	I/O	132	D3-I/O	184	A13-I/O
29	I/O	81	I/O	133	CS1-I/O	185	A6-I/O
30	I/O	82	I/O	134	I/O	186	I/O
31	I/O	83	–	135	I/O	187	I/O
32	I/O	84	–	136	I/O	188	–
33	I/O	85	I/O	137	I/O	189	–
34	I/O	86	I/O	138	D2-I/O	190	I/O
35	I/O	87	I/O	139	I/O	191	I/O
36	I/O	88	I/O	140	I/O	192	A12-I/O
37	–	89	I/O	141	I/O	193	A7-I/O
38	I/O	90	–	142	–	194	–
39	I/O	91	–	143	I/O	195	–
40	I/O	92	–	144	I/O	196	–
41	I/O	93	I/O	145	D1-I/O	197	I/O
42	I/O	94	I/O	146	BUSY/RDY-RCLK-I/O	198	I/O
43	I/O	95	I/O	147	I/O	199	A11-I/O
44	I/O	96	I/O	148	I/O	200	A8-I/O
45	I/O	97	I/O	149	I/O	201	I/O
46	I/O	98	I/O	150	I/O	202	I/O
47	I/O	99	I/O	151	DIN-D0-I/O	203	A10-I/O
48	M1-RDATA	100	XTL2-I/O	152	DOOUT-I/O	204	A9-I/O
49	<b>GND</b>	101	<b>GND</b>	153	CCLK	205	<b>VCC</b>
50	M0-RTRIG	102	RESET	154	<b>VCC</b>	206	–
51	–	103	–	155	–	207	–
52	–	104	–	156	–	208	–

XC3195 PQ208 and PG223 Pinouts

Pin Description	PG223	PQ208 *
A9-I/O	B1	206
A10-I/O	E3	205
I/O	E4	204
I/O	C2	203
I/O	C1	202
I/O	D2	201
A8-I/O	E2	200
A11-I/O	F4	199
I/O	F3	198
I/O	D1	197
I/O	F2	196
I/O	G2	194
A7-I/O	G4	193
A12-I/O	G1	192
I/O	H2	191
I/O	H3	190
I/O	H1	189
I/O	H4	188
I/O	J3	187
I/O	J2	186
A6-I/O	J1	185
A13-I/O	K3	184
VCC	J4	183
GND	K4	182
I/O	K2	181
I/O	K1	180
A5-I/O	L2	179
A14-I/O	L4	178
I/O	L3	177
I/O	L1	176
I/O	M1	175
I/O	M2	174
A4-I/O	M4	173
A15-I/O	N2	172
I/O	N3	171
I/O	P2	169
I/O	R1	168
I/O	N4	167
A3-I/O	T1	166
A2-I/O	R2	165
I/O	P3	164
I/O	T2	163
I/O	P4	162
I/O	U1	161
A1-CS2-I/O	V1	160
A0-WS-I/O	T3	159
GND	R3	158
VCC	R4	157
CCLK	U2	156
DOU2-I/O	V2	155

Pin Description	PG223	PQ208 *
D0-DIN-I/O	U3	154
I/O	V3	153
I/O	R5	152
I/O	T4	151
I/O	V4	150
RDY/BUSY-RCLK-I/O	U4	149
D1-I/O	U5	148
I/O	R6	147
I/O	T5	146
I/O	U6	145
I/O	T6	144
I/O	V7	141
I/O	R7	140
I/O	U7	139
D2-I/O	V8	138
I/O	U8	137
I/O	T8	136
I/O	R8	135
I/O	V9	134
CS1-I/O	U9	133
D3-I/O	T9	132
GND	R9	131
VCC	R10	130
I/O	T10	129
D4-I/O	U10	128
I/O	V10	127
I/O	R11	126
I/O	T11	125
I/O	U11	124
CS0-I/O	V11	123
D5-I/O	U12	122
I/O	R12	121
I/O	V12	120
I/O	T13	119
I/O	U13	118
I/O	T14	117
I/O	R13	116
I/O	U14	115
D6-I/O	U15	114
I/O	V15	113
I/O	T15	112
I/O	R14	111
I/O	V16	110
XTL1(OUT)BCLKN-I/O	U16	109
D7-I/O	T16	108
D/P	V17	107
VCC	R15	106
RESET	U17	105
GND	R16	104
XTL2(IN)-I/O	V18	103

Pin Description	PG223	PQ208 *
I/O	U18	102
I/O	P15	101
I/O	T17	100
I/O	T18	99
I/O	P16	98
I/O	R17	97
I/O	N15	96
I/O	R18	95
I/O	P17	94
I/O	N17	93
I/O	N16	92
I/O	M15	89
I/O	M18	88
I/O	M17	87
I/O	L18	86
I/O	L17	85
I/O	L15	84
I/O	L16	83
I/O	K18	82
I/O	K17	81
I/O	K16	80
GND	K15	79
VCC	J15	78
INIT	J16	77
I/O	J17	76
I/O	J18	75
I/O	H16	74
I/O	H15	73
I/O	H17	72
I/O	H18	71
I/O	G17	70
I/O	G18	69
I/O	G15	68
I/O	F16	67
I/O	F17	66
I/O	E17	63
I/O	C18	62
I/O	F15	61
I/O	D17	60
LDC-I/O	E16	59
I/O	C17	58
I/O	B18	57
I/O	E15	56
HDC-I/O	A18	55
M2-I/O	A17	54
VCC	D16	53
M0-RTIG	B17	52
GND	D15	51
M1/RDATA	C16	50

Pin Description	PG223	PQ208 *
I/O	B16	49
I/O	A16	48
I/O	D14	47
I/O	C15	46
I/O	B15	45
I/O	A15	44
I/O	C14	43
I/O	D13	42
I/O	B14	41
I/O	C13	40
I/O	B13	39
I/O	B12	38
I/O	D12	37
I/O	A12	36
I/O	B11	35
I/O	C11	34
I/O	A11	33
I/O	D11	32
I/O	A10	31
I/O	B10	30
I/O	C10	29
I/O	C9	28
VCC	D10	27
GND	D9	26
I/O	B9	25
I/O	A9	24
I/O	C8	23
I/O	D8	22
I/O	B8	21
I/O	A8	20
I/O	B7	19
I/O	A7	18
I/O	D7	17
I/O	B6	14
I/O	C6	13
I/O	B5	12
I/O	A4	11
I/O	D6	10
I/O	C5	9
I/O	B4	8
I/O	B3	7
I/O	C4	6
I/O	D5	5
I/O	C3	4
I/O	A3	3
TCLKIN-I/O	A2	2
PWRDN	B2	1
GND	D4	208
VCC	D3	207

\*Different pin definition than XC3090 PQ208 package.

# XC3000 Component Availability

PINS	44	64	68	84		100				132		144	160	164	175		176	208	223
	PLAST. PLCC	PLAST. VQFP	PLAST. PLCC	PLAST. PLCC	CERAM. PGA	PLAST. PQFP	PLAST. TQFP	PLAST. VQFP	TOP-BRAZED CQFP	PLAST. PGA	CERAM. PGA	PLAST. TQFP	PLAST. PQFP	TOP-BRAZED CQFP	PLAST. PGA	CERAM. PGA	PLAST. TQFP	PLAST. PQFP	CERAM. PGA
CODE	PC44	VQ64	PC68	PC84	PG84	PQ100	TQ100	VQ100	CB100	PP132	PG132	TQ144	PQ160	CB164	PP175	PG175	TQ176	PQ208	PG223
XC3020	-50				MB				MB										
	-70			CI	CI	CIMB	CI		CMB										
	-100			CI	CI	CIMB	CI		CMB										
	-125			C	C	C	C												
XC3030	-50				M														
	-70	CI		CI	CI	CIM	CI	C											
	-100	CI		CI	CI	CIM	CI	C											
	-125	C		C	C	C	C	C											
XC3042	-50				MB				MB		MB								
	-70			CI	CIMB	CI	C		CMB	C	CIMB								
	-100			CI	CIMB	CI	C		CMB	C	CIMB								
	-125			C	C	C	C		C	C	C								
XC3064	-50										M								
	-70			CI						CI	CIM		CI						
	-100			CI						CI	CIM		CI						
	-125			C						C	C		C						
XC3090	-50													MB		MB			
	-70			CI									CI	CMB	CI	CIMB		CI	
	-100			CI									CI	CMB	CI	CIMB		CI	
	-125			C									C	CMB	C	C		C	
XC3020A	-7			CI	CI	CI	CI												
XC3030A	-7	CI	CI	CI	CI	CI	CI		CI										
XC3042A	-7				CI	CI	CI	CI	CI		CI	CI	CI						
XC3064A	-7				CI					CI	CI	CI	CI						
XC3090A	-7				CI								CI			CI	CI	CI	CI
XC3020L				C															
XC3030L				C				C											
XC3042L				C				C				C							
XC3064L				C				C				C							
XC3090L				C				C				C							C
XC3120	-5			CI	CI	CI	CI(MB)		(MB)										
	-4			CI	CI	CI	CI												
	-3			C	C	C	C												
XC3130	-5	CI		CI	CI	CI	CI	C											
	-4	CI		CI	CI	CI	CI	C											
	-3	C		C	C	C	C	C											
XC3142	-5			CI	CI	CI(MB)	C		(MB)	C	CI(MB)	CI							
	-4			CI	CI	CI	CI	C		C	CI	CI							
	-3			C	C	C	C	C		C	C	C							
XC3164	-5			CI						CI	CI		CI						
	-4			CI						CI	CI		CI						
	-3			C						C	C		C						
XC3190	-5			CI									CI	(MB)	CI	CI(MB)		CI	
	-4			CI									CI		CI	CI		CI	
	-3			C									C		C	C		C	
XC3195	-5			CI									CI		CI	CI(MB)		CI	CI(MB)
	-4			CI									CI		CI	CI		CI	CI
	-3			C									C		C	C		C	C

C = Commercial = 0° to +70° C    I = Industrial = -40° to +85° C    M = Mil Temp = -55° to +125° C    B = MIL-STD-883C Class B  
 Parenthesis indicate future product plans

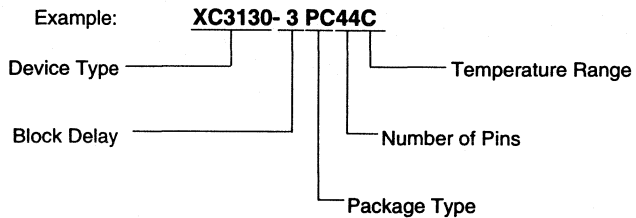
For a detailed description of the device architecture, see pages 2-100 through 2-117.

For a detailed description of the configuration modes and their timing, see pages 2-118 through 2-126.

For detailed lists of package pin-outs, see pages 2-132 through 2-142

For package physical dimensions, see Section 4.

### Ordering Information





# XC3000 Logic Cell Array Family

## Product Specification

### Features

- Industry-leading FPGA family with five device types
  - Logic densities from 1,300 to 7,500 gates
  - Up to 144 user-definable I/Os
- Guaranteed 70- to 125-MHz toggle rates, 9 to 5.5 ns logic delays
- Advanced CMOS static memory technology
  - Low quiescent and active power consumption
- XC3000-specific features
  - Ultra-low current option in Power-Down mode
  - 4-mA output sink and source current
  - Broad range of package options includes plastic and ceramic quad flat packs, plastic leaded chip carriers and pin grid arrays
  - 100% bitstream compatible with the XC3100 family
  - Commercial, industrial, military, “high rel”, and MIL-STD-883 Class B grade devices
  - Easy migration to XC3300 series of HardWire mask-programmed devices for high-volume production

### Description

XC3000 is the original family of devices in the XC3000 class of Filed Programmable Gate Array (FPGA) architectures. The XC3000 family has a proven track record in addressing a wide range of design applications, including general logic replacement and sub-systems integration. For a thorough description of the XC3000 architecture see the preceding pages of this data book.

The XC3000 Family covers a range of nominal device densities from 2,000 to 9,000 gates, practically achievable densities from 1,300 to 7,500 gates. Device speeds, described in terms of maximum guaranteed toggle frequencies, range from 70 to 125 MHz. The performance of a completed design depends upon placement and routing implementation, so, like with any gate array, the final verification of device utilization and performance can only be known after the design has been placed and routed.

Device	CLBs	Array	User I/Os Max	Flip-Flops	Horizontal Longlines	Configuration Data Bits
XC3020	64	8 x 8	64	256	16	14,779
XC3030	100	10 x 10	80	360	20	22,176
XC3042	144	12 x 12	96	480	24	30,784
XC3064	224	16 x 14	120	688	28	46,064
XC3090	320	16 x 20	144	928	40	64,160

Xilinx maintains test specifications for each product as controlled documents. To insure the use of the most recently released device performance parameters, please request a copy of the current test-specification revision.

**Absolute Maximum Ratings**

<b>Symbol</b>	<b>Description</b>		<b>Units</b>
$V_{CC}$	Supply voltage relative to GND	-0.5 to +7.0	V
$V_{IN}$	Input voltage with respect to GND	-0.5 to $V_{CC} + 0.5$	V
$V_{TS}$	Voltage applied to 3-state output	-0.5 to $V_{CC} + 0.5$	V
$T_{STG}$	Storage temperature (ambient)	-65 to +150	°C
$T_{SOL}$	Maximum soldering temperature (10 s @ 1/16 in.)	+260	°C
$T_J$	Junction temperature plastic	+125	°C
	Junction temperature ceramic	+150	°C

**Note:** Stresses beyond those listed under Absolute Maximum Ratings may cause permanent damage to the device. These are stress ratings only, and functional operation of the device at these or any other conditions beyond those listed under Recommended Operating Conditions is not implied. Exposure to Absolute Maximum Ratings conditions for extended periods of time may affect device reliability.

**Operating Conditions**

<b>Symbol</b>	<b>Description</b>	<b>Min</b>	<b>Max</b>	<b>Units</b>
$V_{CC}$	Supply voltage relative to GND Commercial 0°C to +70°C	4.75	5.25	V
	Supply voltage relative to GND Industrial -40°C to +85°C	4.5	5.5	V
$V_{IHT}$	High-level input voltage — TTL configuration	2.0	$V_{CC}$	V
$V_{ILT}$	Low-level input voltage — TTL configuration	0	0.8	V
$V_{IHC}$	High-level input voltage — CMOS configuration	70%	100%	$V_{CC}$
$V_{ILC}$	Low-level input voltage — CMOS configuration	0	20%	$V_{CC}$
$T_{IN}$	Input signal transition time		250	ns

## DC Characteristics Over Operating Conditions

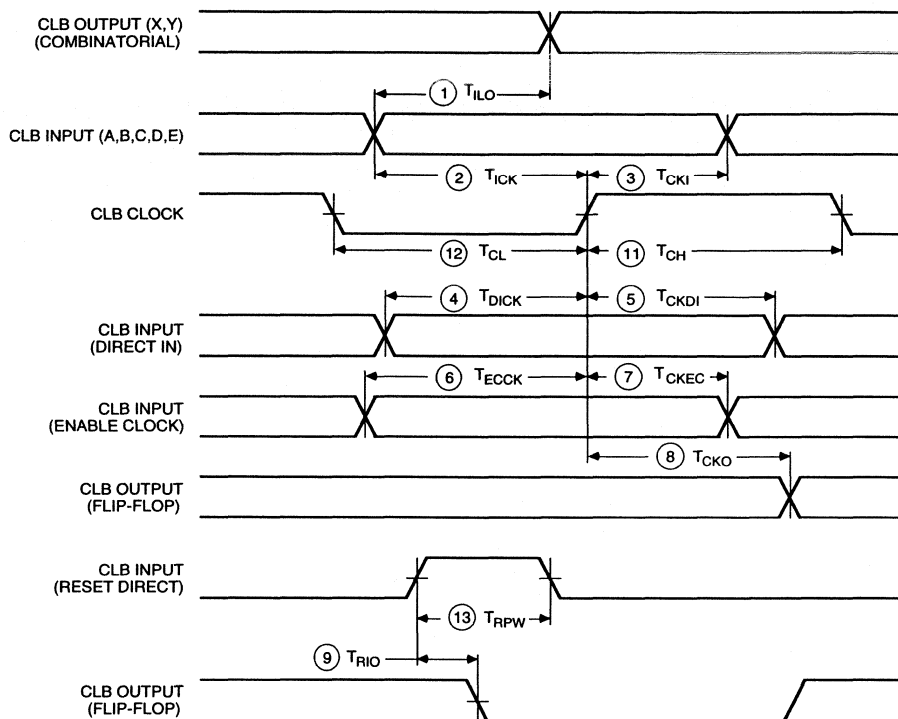
Symbol	Description		Min	Max	Units
$V_{OH}$	High-level output voltage (@ $I_{OH} = -4.0$ mA, $V_{CC}$ min)	Commercial	3.86		V
$V_{OL}$	Low-level output voltage (@ $I_{OL} = 4.0$ mA, $V_{CC}$ max)			0.40	V
$V_{OH}$	High-level output voltage (@ $I_{OH} = -4.0$ mA, $V_{CC}$ min)	Industrial	3.76		V
$V_{OL}$	Low-level output voltage (@ $I_{OL} = 4.0$ mA, $V_{CC}$ max)			0.40	V
$V_{CCPD}$	Power-down supply voltage (PWRDWN must be Low)		2.30		V
$I_{CCPD}$	Power-down supply current ( $V_{CC(MAX)}$ @ $T_{MAX}$ ) <sup>1</sup>	XC3020		50	$\mu$ A
		XC3030		80	$\mu$ A
		XC3042		120	$\mu$ A
		XC3064		170	$\mu$ A
		XC3090		250	$\mu$ A
$I_{CCO}$	Quiescent LCA supply current in addition to $I_{CCPD}$ <sup>2</sup> Chip thresholds programmed as CMOS levels			500	$\mu$ A
	Chip thresholds programmed as TTL levels			10	$\mu$ A
$I_{IL}$	Input Leakage Current		-10	+10	$\mu$ A
$C_{IN}$	Input capacitance, all packages except PGA175 (sample tested) All Pins except XTL1 and XTL2 XTL1 and XTL2			10 15	pF pF
	Input capacitance, PGA 175 (sample tested) All Pins except XTL1 and XTL2 XTL1 and XTL2			15 20	pF pF
$I_{RIN}$	Pad pull-up (when selected) @ $V_{IN} = 0$ V (sample tested)		0.02	0.17	mA
$I_{RLL}$	Horizontal Longline pull-up (when selected) @ logic Low			3.4	mA

Note: 1. Devices with much lower  $I_{CCPD}$  tested and guaranteed at  $V_{CC} = 3.2$  V,  $T = 25^{\circ}$ C can be ordered with a Special Product Code.

XC3020 SPC0107:  $I_{CCPD} = 1$   $\mu$ A  
 XC3030 SPC0107:  $I_{CCPD} = 2$   $\mu$ A  
 XC3042 SPC0107:  $I_{CCPD} = 3$   $\mu$ A  
 XC3064 SPC0107:  $I_{CCPD} = 4$   $\mu$ A  
 XC3090 SPC0107:  $I_{CCPD} = 5$   $\mu$ A

2. With no output current loads, no active input or Longline pull-up resistors, all package pins at  $V_{CC}$  or GND, and the LCA configured with a MakeBits tie option.

CLB Switching Characteristic Guidelines



Buffer (Internal) Switching Characteristic Guidelines

1105 26

Description	Symbol	Speed Grade	-70	-100	-125	Units
			Max	Max	Max	
<b>Global and Alternate Clock Distribution*</b> Either: <b>Normal</b> IOB input pad through clock buffer to any CLB or IOB clock input Or: <b>Fast</b> (CMOS only) input pad through clock buffer to any CLB or IOB clock input	$T_{PID}$		6.8	6.5	5.6	ns
	$T_{PIDC}$		5.4	5.1	4.3	ns
<b>TBUF</b> driving a Horizontal Longline (L.L.)* I to L.L. while T is Low (buffer active) T↓ to L.L. active and valid with single pull-up resistor T↓ to L.L. active and valid with pair of pull-up resistors T↑ to L.L. High with single pull-up resistor T↑ to L.L. High with pair of pull-up resistors	$T_{IO}$		4.1	3.7	3.1	ns
	$T_{ON}$		5.6	5.0	4.2	ns
	$T_{ON}$		7.1	6.5	5.7	ns
	$T_{PUS}$		28.2	25.2	19.6	ns
	$T_{PUF}$		19.2	16.2	12.6	ns
<b>BIDI</b> Bidirectional buffer delay	$T_{BIDI}$		1.4	1.2	1.0	ns

\* Timing is based on the XC3042, for other devices see XACT timing calculator.



## CLB Switching Characteristic Guidelines (continued)

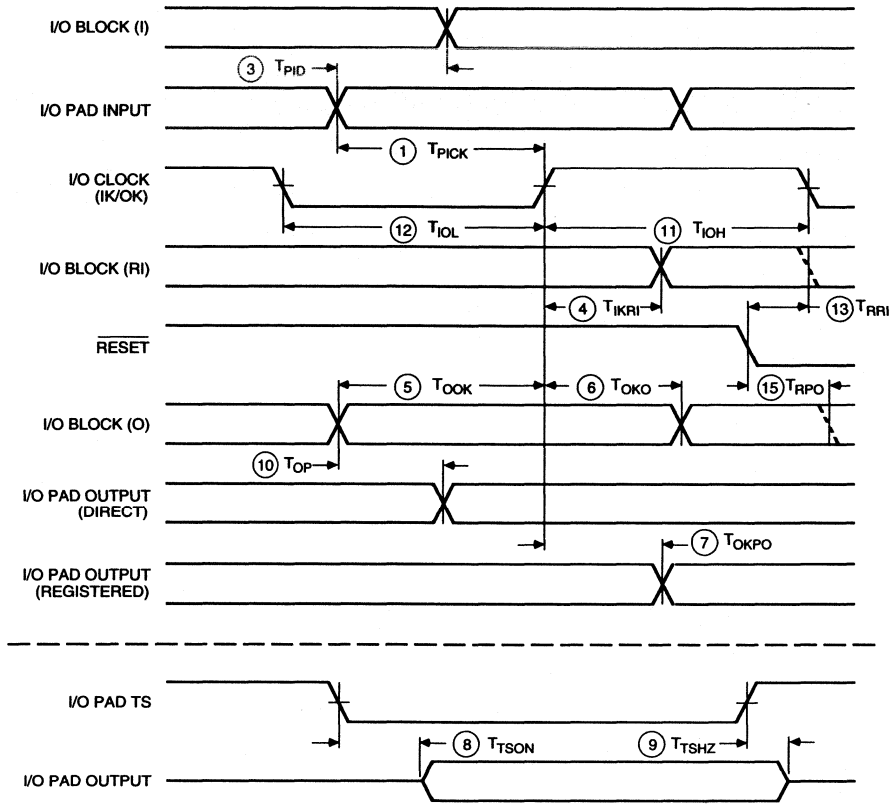
Testing of the switching parameters is modeled after testing methods specified by MIL-M-38510/605. All devices are 100% functionally tested. Since many internal timing parameters cannot be measured directly, they are derived from benchmark timing patterns. The following guidelines reflect worst-case values over the recommended operating conditions. For more detailed, more precise, and more up-to-date timing information, use the values provided by the XACT timing calculator and used in the simulator.

Description	Speed Grade		-70		-100		-125		Units
	Symbol		Min	Max	Min	Max	Min	Max	
Combinatorial Delay Logic Variables A, B, C, D, E, to outputs X or Y	1	T <sub>ILO</sub>		9		7		5.5	ns
Sequential delay Clock k to outputs X or Y Clock k to outputs X or Y when Q is returned through function generators F or G to drive X or Y	8	T <sub>CKO</sub>		6		5		4.5	ns
		T <sub>QLO</sub>		13		10		8	ns
Set-up time before clock K Logic Variables A, B, C, D, E Data In DI Enable Clock EC Reset Direct inactive RD	2	T <sub>ICK</sub>	8		7		5.5		ns
	4	T <sub>DICK</sub>	5		4		3		ns
	6	T <sub>ECKK</sub>	7		5		4.5		ns
			1		1		1		ns
Hold Time after clock K Logic Variables A, B, C, D, E Data In DI Enable Clock EC	3	T <sub>CKI</sub>	0		0		0		ns
	5	T <sub>CKDI</sub>	4		2		1.5		ns
	7	T <sub>CKEC</sub>	0		0		0		ns
Clock Clock High time Clock Low time Max. flip-flop toggle rate	11	T <sub>CH</sub>	5		4		3		ns
	12	T <sub>CL</sub>	5		4		3		ns
		F <sub>CLK</sub>	7		100		125		MHz
Reset Direct (RD) RD width delay from rd to outputs X or Y	13	T <sub>RPW</sub>	8		7		6		ns
	9	T <sub>RIO</sub>		8		7		6	ns
Global Reset (RESET Pad)* RESET width (Low) delay from $\overline{\text{RESET}}$ pad to outputs X or Y		T <sub>M<math>\overline{\text{R}}</math>W</sub>	25		21		20		ns
		T <sub>M<math>\overline{\text{R}}</math>Q</sub>		23		19		17	ns

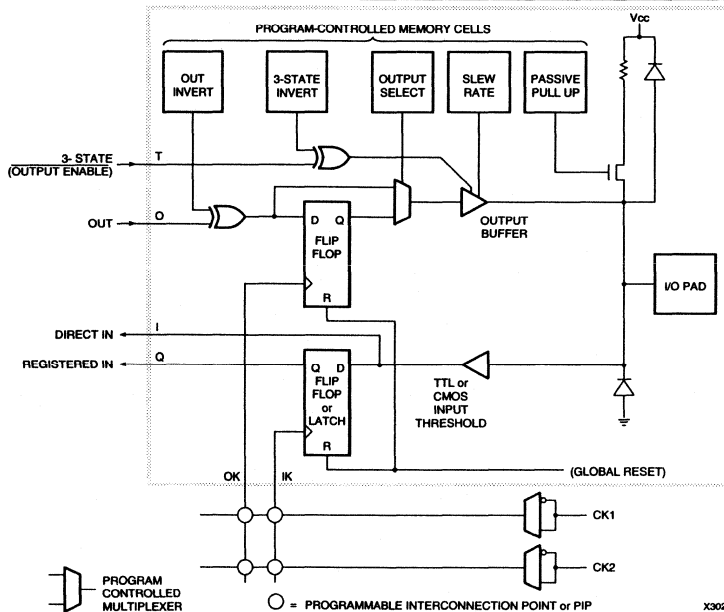
\*Timing is based on the XC3042, for other devices see XACT timing calculator.

Note: The CLB K to Q output delay (T<sub>CKO</sub>, #8) of any CLB, plus the shortest possible interconnect delay, is always longer than the Data In hold time requirement (T<sub>CKDI</sub>, #5) of any CLB on the same die.

**IOB Switching Characteristic Guidelines**



1105 27C



X3029

## IOB Switching Characteristic Guidelines (continued)

Testing of the switching parameters is modeled after testing methods specified by MIL-M-38510/605. All devices are 100% functionally tested. Since many internal timing parameters cannot be measured directly, they are derived from benchmark timing patterns. The following guidelines reflect worst-case values over the recommended operating conditions. For more detailed, more precise, and more up-to-date timing information, use the values provided by the XACT timing calculator and used in the simulator.

Description	Speed Grade		-70		-100		-125		Units
	Symbol		Min	Max	Min	Max	Min	Max	
Propagation Delays (Input)									
Pad to Direct In (I)	3	$T_{PID}$		6		4		3	ns
Pad to Registered In (Q) with latch transparent		$T_{PTG}$		21		17		16	ns
Clock (IK) to Registered In (Q)	4	$T_{IKRI}$		5.5		4		3	ns
Set-up Time (Input)									
Pad to Clock (IK) set-up time	1	$T_{PICK}$	20		17		16		ns
Propagation Delays (Output)									
Clock (OK) to Pad (fast)	7	$T_{OKPO}$		13		10		9	ns
same (slew rate limited)	7	$T_{OKPO}$		33		27		24	ns
Output (O) to Pad (fast)	10	$T_{OPF}$		9		6		5	ns
same (slew-rate limited)	10	$T_{OPS}$		29		23		20	ns
3-state to Pad begin hi-Z (fast)	9	$T_{TSHZ}$		8		8		7	ns
same (slew-rate limited)	9	$T_{TSHZ}$		28		25		24	ns
3-state to Pad active and valid (fast)	8	$T_{TSON}$		14		12		11	ns
same (slew-rate limited)	8	$T_{TSON}$		34		29		27	ns
Set-up and Hold Times (Output)									
Output (O) to clock (OK) set-up time	5	$T_{OOK}$	10		9		8		ns
Output (O) to clock (OK) hold time	6	$T_{OKO}$	0		0		0		ns
Clock									
Clock High time	11	$T_{IOH}$	5		4		3		ns
Clock Low time	12	$T_{IOL}$	5		4		3		ns
Max. flip-flop toggle rate		$F_{CLK}$	70		100		125		MHz
Global Reset Delays (based on XC3042)									
RESET Pad to Registered In (Q)	13	$T_{RRI}$		25		24		23	ns
RESET Pad to output pad (fast)	15	$T_{RPO}$		35		33		29	ns
(slew-rate limited)	15	$T_{RPO}$		53		45		42	ns

- Notes:
1. Timing is measured at pin threshold, with 50 pF external capacitive loads (incl. test fixture). For larger capacitive loads, see XAPP 024. Typical slew rate limited output rise/fall times are approximately four times longer.
  2. Voltage levels of unused (bonded and unbonded) pads must be valid logic levels. Each can be configured with the internal pull-up resistor or alternatively configured as a driven output or driven from an external source.
  3. Input pad set-up time is specified with respect to the internal clock (IK). In order to calculate system set-up time, subtract clock delay (pad to IK) from the input pad set-up time value. Input pad holdtime with respect to the internal clock (IK) is negative. This means that pad level changes immediately before the internal clock edge (IK) will not be recognized.

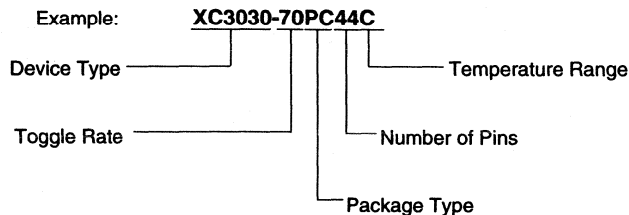
For a detailed description of the device architecture, see pages 2-100 through 2-117.

For a detailed description of the configuration modes and their timing, see pages 2-118 through 2-126.

For detailed lists of package pin-outs, see pages 2-132 through 2-142

For package physical dimensions, see Section 4.

**Ordering Information**



**Component Availability**

PINS	44	64	68	84		100				132		144	160	164	175		176	208	223	
	PLAST. PLCC	PLAST. VQFP	PLAST. PLCC	PLAST. PLCC	CERAM. PGA	PLAST. PQFP	PLAST. TOFP	PLAST. VQFP	TOP-BRAZED CQFP	PLAST. PGA	CERAM. PGA	PLAST. TQFP	PLAST. PQFP	TOP-BRAZED CQFP	PLAST. PGA	CERAM. PGA	PLAST. TQFP	PLAST. PQFP	CERAM. PGA	
CODE	PC44	VQ64	PC68	PC84	PG84	PQ100	TQ100	VQ100	CB100	PP132	PG132	TQ144	PQ160	CB164	PP175	PG175	TQ176	PQ208	PG223	
XC3020	-50				MB				MB											
	-70			CI	CI	CIMB	CI		CMB											
	-100			CI	CI	CIMB	CI		CMB											
	-125			C	C	C	C													
XC3030	-50				M															
	-70	CI		CI	CI	CIM	CI	C												
	-100	CI		CI	CI	CIM	CI	C												
	-125	C		C	C	C	C	C												
XC3042	-50				MB				MB		MB									
	-70				CI	CIMB	CI	C	CMB	C	CIMB									
	-100				CI	CIMB	CI	C	CMB	C	CIMB									
	-125				C	C	C	C		C	C									
XC3064	-50										M									
	-70				CI					CI	CIM		CI							
	-100				CI					CI	CIM		CI							
	-125				C					C	C		C							
XC3090	-50													MB		MB				
	-70				CI								CI	CMB	CI	CIMB			CI	
	-100				CI								CI	CMB	CI	CIMB			CI	
	-125				C								C	CMB	C	C			C	

C = Commercial = 0° to +70° C    I = Industrial = -40° to +85° C    M = Mil Temp = -55° to +125° C    B = MIL-STD-883C Class B  
 Parentheses indicate future product plans



# XC3000A Logic Cell Array Family

## Preliminary Product Specifications

### Features

- Enhanced, high performance FPGA family with five device types
  - Improved redesign of the basic XC3000 LCA Family
  - Logic densities from 1,300 to 7,500 gates
  - Up to 144 user-definable I/Os
- Superset of the industry-leading XC3000 family
  - Identical to the basic XC3000 in structure, pin out, design methodology, and software tools
  - 100% compatible with all XC3000, XC3000L, and XC3100 bitstreams
  - Improved routing and additional features
- Additional programmable interconnection points (PIPs)
  - Improved access to longlines and CLB clock enable inputs
  - Most efficient XC3000-class solution to bus-oriented designs
- Advanced 0.8  $\mu$  CMOS static memory technology
  - Low quiescent and active power consumption
- Performance specified by logic delays, faster than corresponding XC3000 versions
- XC3000A-specific features
  - 4 mA output sink and source current
  - Error checking of the configuration bitstream
  - Soft startup starts all outputs in slew-limited mode upon power-up
  - Easy migration to the XC3400 series of HardWire mask programmed devices for high-volume production.

### Description

The XC3000A family offers the following enhancements over the popular XC3000 family:

The XC3000A family has additional interconnect resources to drive the I-inputs of TBUFs driving horizontal Longlines. The CLB Clock Enable input can be driven from a second vertical Longline. These two additions result in more efficient and faster designs when horizontal Longlines are used for data bussing.

During configuration, the XC3000A devices check the bitstream format for stop bits in the appropriate positions. Any error terminates the configuration and pulls INIT Low.

When the configuration process is finished and the device starts up in user mode, the first activation of the outputs is automatically slew-rate limited. This feature, called Soft Startup, avoids the potential ground bounce when all outputs are turned on simultaneously. After start-up, the slew rate of the individual outputs is, as in the XC3000 family, determined by the individual configuration option.

The XC3000A family is a superset of the XC3000 family. Any bitstream used to configure an XC3000 or XC3100 device configures an XC3000A device exactly the same way.

Device	CLBs	Array	User I/Os Max	Flip-Flops	Horizontal Longlines	Configurable Data Bits
XC3020A	64	8 x 8	64	256	16	14,779
XC3030A	100	10 x 10	80	360	20	22,176
XC3042A	144	12 x 12	96	480	24	30,784
XC3064A	224	16 x 14	120	688	32	46,064
XC3090A	320	16 x 20	144	928	40	64,160

Xilinx maintains test specifications for each product as controlled documents. To insure the use of the most recently released device performance parameters, please request a copy of the current test-specification revision.

### Absolute Maximum Ratings

Symbol	Description		Units
$V_{CC}$	Supply voltage relative to GND	-0.5 to +7.0	V
$V_{IN}$	Input voltage with respect to GND	-0.5 to $V_{CC} + 0.5$	V
$V_{TS}$	Voltage applied to 3-state output	-0.5 to $V_{CC} + 0.5$	V
$T_{STG}$	Storage temperature (ambient)	-65 to +150	°C
$T_{SOL}$	Maximum soldering temperature (10 s @ 1/16 in.)	+260	°C
$T_J$	Junction temperature plastic	+125	°C
	Junction temperature ceramic	+150	°C

Note: Stresses beyond those listed under Absolute Maximum Ratings may cause permanent damage to the device. These are stress ratings only, and functional operation of the device at these or any other conditions beyond those listed under Recommended Operating Conditions is not implied. Exposure to Absolute Maximum Ratings conditions for extended periods of time may affect device reliability.

### Operating Conditions

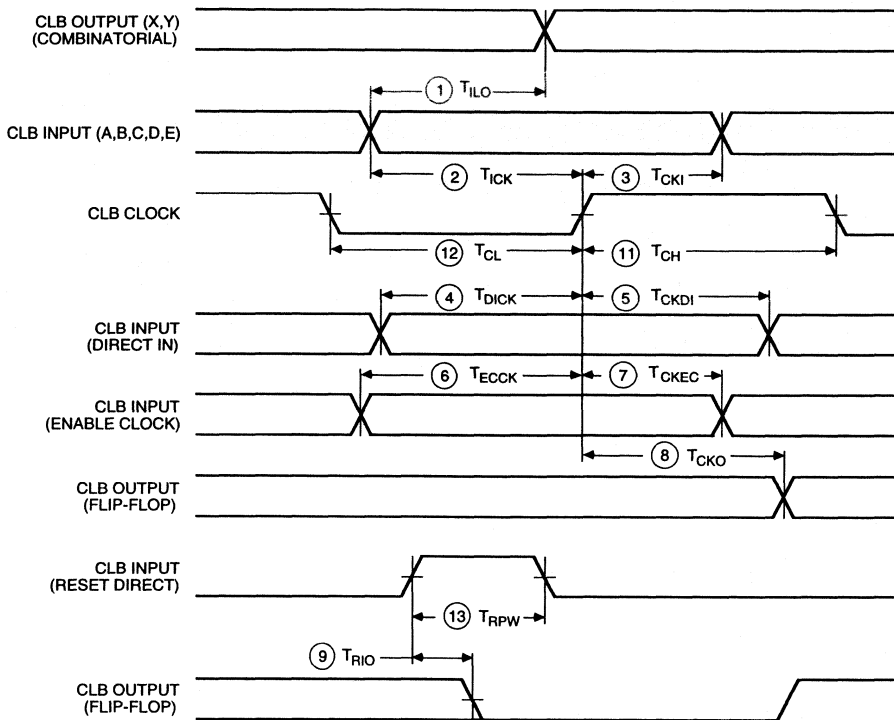
Symbol	Description	Min	Max	Units
$V_{CC}$	Supply voltage relative to GND Commercial 0°C to +70°C	4.75	5.25	V
	Supply voltage relative to GND Industrial -40°C to +85°C	4.5	5.5	V
$V_{IHT}$	High-level input voltage — TTL configuration	2.0	$V_{CC}$	V
$V_{ILT}$	Low-level input voltage — TTL configuration	0	0.8	V
$V_{IHC}$	High-level input voltage — CMOS configuration	70%	100%	$V_{CC}$
$V_{ILC}$	Low-level input voltage — CMOS configuration	0	20%	$V_{CC}$
$T_{IN}$	Input signal transition time		250	ns

## DC Characteristics Over Operating Conditions

Symbol	Description		Min	Max	Units
$V_{OH}$	High-level output voltage (@ $I_{OH} = -4.0$ mA, $V_{CC}$ min)	Commercial	3.86		V
$V_{OL}$	Low-level output voltage (@ $I_{OL} = 4.0$ mA, $V_{CC}$ max)			0.40	V
$V_{OH}$	High-level output voltage (@ $I_{OH} = -4.0$ mA, $V_{CC}$ min)	Industrial	3.76		V
$V_{OL}$	Low-level output voltage (@ $I_{OL} = 4.0$ mA, $V_{CC}$ max)			0.40	V
$V_{CCPD}$	Power-down supply voltage (PWRDWN must be Low)		2.30		V
$I_{CCPD}$	Power-down supply current ( $V_{CC(MAX)}$ @ $T_{MAX}$ )	XC3020A		50	$\mu$ A
		XC3030A		80	$\mu$ A
		XC3042A		120	$\mu$ A
		XC3064A		170	$\mu$ A
		XC3090A		250	$\mu$ A
$I_{CCO}$	Quiescent LCA supply current in addition to $I_{CCPD}$ * Chip thresholds programmed as CMOS levels			500	$\mu$ A
	Chip thresholds programmed as TTL levels			10	$\mu$ A
$I_{IL}$	Input Leakage Current		-10	+10	$\mu$ A
$C_{IN}$	Input capacitance, all packages except PGA175 (sample tested) All Pins except XTL1 and XTL2 XTL1 and XTL2			10 15	pF pF
	Input capacitance, PGA 175 (sample tested) All Pins except XTL1 and XTL2 XTL1 and XTL2			15 20	pF pF
$I_{RIN}$	Pad pull-up (when selected) @ $V_{IN} = 0$ V (sample tested)		0.02	0.17	mA
$I_{RLL}$	Horizontal Longline pull-up (when selected) @ logic Low			3.4	mA

\* With no output current loads, no active input or Longline pull-up resistors, all package pins at  $V_{CC}$  or GND, and the LCA device configured with a MakeBits tie option.

CLB Switching Characteristic Guidelines



1105 26

Buffer (Internal) Switching Characteristic Guidelines

Speed Grade					
Description	Symbol				Units
<b>Global and Alternate Clock Distribution*</b> Either: <b>Normal</b> IOB input pad through clock buffer to any CLB or IOB clock input Or: <b>Fast</b> (CMOS only) input pad through clock buffer to any CLB or IOB clock input	$T_{PID}$				ns
	$T_{PIDC}$				ns
<b>TBUF driving a Horizontal Longline (L.L.)*</b> I to L.L. while T is Low (buffer active) T↓ to L.L. active and valid with single pull-up resistor T↓ to L.L. active and valid with pair of pull-up resistors T↑ to L.L. High with single pull-up resistor T↑ to L.L. High with pair of pull-up resistors	$T_{IO}$				ns
	$T_{ON}$				ns
	$T_{ON}$				ns
	$T_{PUS}$				ns
	$T_{PUF}$				ns
<b>BIDI</b> Bidirectional buffer delay	$T_{BIDI}$				ns

\* Timing is based on the XC3042A, for other devices see XACT timing calculator.



### CLB Switching Characteristic Guidelines (continued)

Testing of the switching parameters is modeled after testing methods specified by MIL-M-38510/605. All devices are 100% functionally tested. Since many internal timing parameters cannot be measured directly, they are derived from benchmark timing patterns. The following guidelines reflect worst-case values over the recommended operating conditions. For more detailed, more precise, and more up-to-date timing information, use the values provided by the XACT timing calculator and used in the simulator.

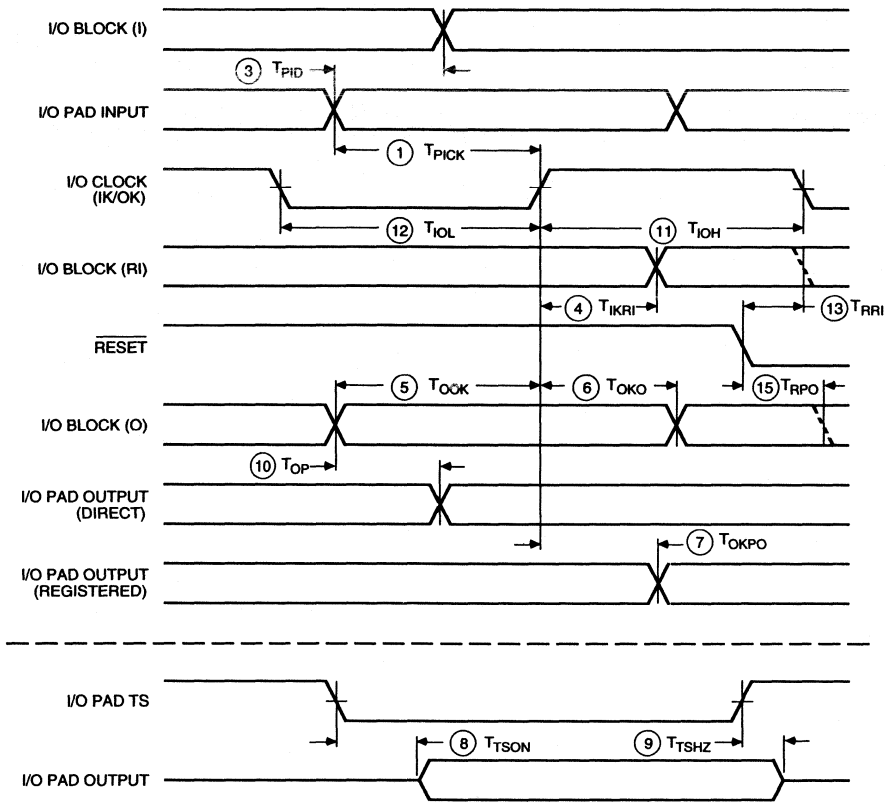
Description	Speed Grade							Units
	Symbol							
Combinatorial Delay Logic Variables A, B, C, D, E, to outputs X or Y	1	T <sub>ILO</sub>						ns
Sequential delay Clock k to outputs X or Y Clock k to outputs X or Y when Q is returned through function generators F or G to drive X or Y	8	T <sub>CKO</sub>						ns
		T <sub>QLO</sub>						ns
Set-up time before clock K Logic Variables A, B, C, D, E Data In DI Enable Clock EC Reset Direct inactive RD	2	T <sub>ICK</sub>						ns
		4	T <sub>DICK</sub>					ns
		6	T <sub>ECK</sub>					ns
								ns
Hold Time after clock K Logic Variables A, B, C, D, E Data In DI Enable Clock EC	3	T <sub>CKI</sub>						ns
		5	T <sub>CKDI</sub>					ns
		7	T <sub>CKEC</sub>					ns
Clock Clock High time Clock Low time Max. flip-flop toggle rate	11	T <sub>CH</sub>						ns
		12	T <sub>CL</sub>					ns
			F <sub>CLK</sub>					MHZ
Reset Direct (RD) RD width delay from RD to outputs X or Y	13	9	TRPW					ns
			TRIO					ns
Global Reset (RESET Pad)* RESET width (Low) delay from RESET pad to outputs X or Y			T <sub>MRW</sub>					ns
			T <sub>MRQ</sub>					ns

THESE PARAMETERS ARE NOT AVAILABLE AT PRELIMINARY SALES OFFICE.  
 CONTACT YOUR SALES REPRESENTATIVE OR XILINX SALES OFFICE.

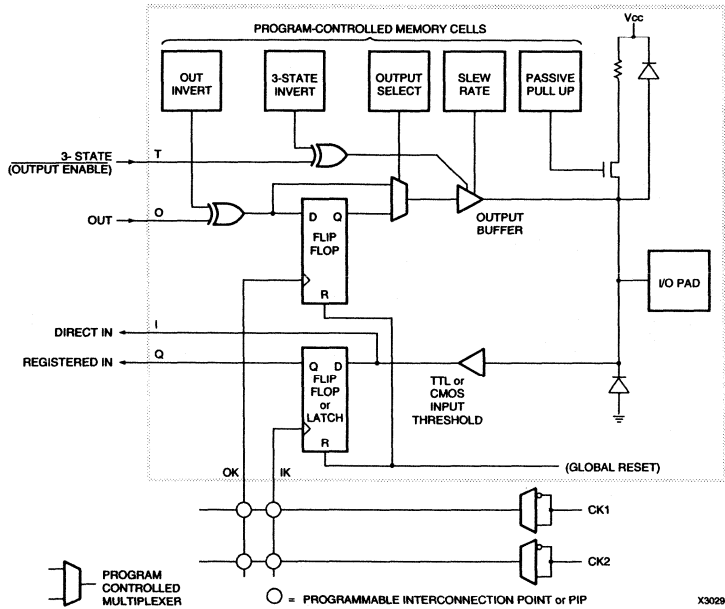
\*Timing is based on the XC3042A, for other devices see XACT timing calculator.

Notes: The CLB K to Q output delay (T<sub>CKO</sub>, #8) of any CLB, plus the shortest possible interconnect delay, is always longer than the Data In hold time requirement (T<sub>CKDI</sub>, #5) of any CLB on the same die. T<sub>ILO</sub>, T<sub>QLO</sub> and T<sub>ICK</sub> are specified for 4-input functions. For 5-input functions or base FGM functions, each specification increases by 0.8 ns (-5), 0.6 ns (-4) and 0.5 ns (-3).

IOB Switching Characteristic Guidelines



1105 27C



X3029

## IOB Switching Characteristic Guidelines (continued)

Testing of the switching parameters is modeled after testing methods specified by MIL-M-38510/605. All devices are 100% functionally tested. Since many internal timing parameters cannot be measured directly, they are derived from benchmark timing patterns. The following guidelines reflect worst-case values over the recommended operating conditions. For more detailed, more precise, and more up-to-date timing information, use the values provided by the XACT timing calculator and used in the simulator.

Description	Speed Grade		Units
	Symbol		
Propagation Delays (Input)			
Pad to Direct In (I)	3	$T_{PID}$	ns
Pad to Registered In (Q) with latch transparent		$T_{PTG}$	ns
Clock (IK) to Registered In (Q)	4	$T_{IKRI}$	ns
Set-up Time (Input)			
Pad to Clock (IK) set-up time	1	$T_{PICK}$	ns
Propagation Delays (Output)			
Clock (OK) to Pad (fast)	7	$T_{OKPO}$	ns
same (slew rate limited)	7	$T_{OKPO}$	ns
Output (O) to Pad (fast)	10	$T_{OPF}$	ns
same (slew-rate limited)	10	$T_{OPS}$	ns
3-state to Pad begin hi-Z (fast)	9	$T_{TSHZ}$	ns
same (slew-rate limited)	9	$T_{TSHZ}$	ns
3-state to Pad active and valid (fast)	8	$T_{TSON}$	ns
same (slew-rate limited)	8	$T_{TSON}$	ns
Set-up and Hold Times (Output)			
Output (O) to clock (OK) set-up time	5	$T_{OOK}$	ns
Output (O) to clock (OK) hold time	6	$T_{OKO}$	ns
Clock			
Clock High time	11	$T_{IOH}$	ns
Clock Low time	12	$T_{IOL}$	ns
Max. flip-flop toggle rate		$F_{CLK}$	MHz
Global Reset Delays (based on XC3042A)			
RESET Pad to Registered In (Q)	13	$T_{RRI}$	ns
RESET Pad to output pad (fast)	15	$T_{RPO}$	ns
(slew-rate limited)	15	$T_{RPO}$	ns

- Notes:
1. Timing is measured at pin threshold, with 50 pF external capacitive loads (incl. test fixture). For larger capacitive loads, see page XAPP024. Typical slew rate limited output rise/fall times are approximately four times longer.
  2. Voltage levels of unused (bonded and unbonded) pads must be valid logic levels. Each can be configured with the internal pull-up resistor or alternatively configured as a driven output or driven from an external source.
  3. Input pad set-up time is specified with respect to the internal clock (IK). In order to calculate system set-up time, subtract clock delay (pad to IK) from the input pad set-up time value. Input pad holdtime with respect to the internal clock (IK) is negative. This means that pad level changes immediately before the internal clock edge (IK) will not be recognized.
  4.  $T_{PID}$ ,  $T_{PTG}$ , and  $T_{PICK}$  are 3 ns higher for XTL2 when the pin is configured as a user input.

# XC3000A Logic Cell Array Family

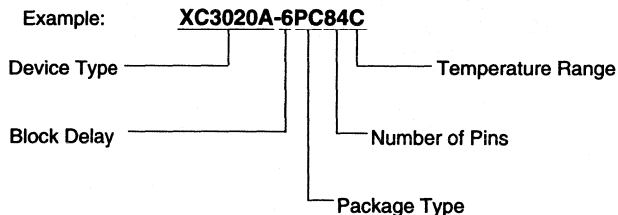
For a detailed description of the device architecture, see pages 2-100 through 2-117.

For a detailed description of the configuration modes and their timing, see pages 2-118 through 2-126.

For detailed lists of package pin-outs, see pages 2-132 through 2-142.

For package physical dimensions, see Section 4.

## Ordering Information



## Component Availability

PINS	44	64	68	84			100				132	144	160	164	175		176	208	223
	PLAST. PLCC	PLAST. VQFP	PLAST. PLCC	PLAST. PLCC	CERAM. PGA	PLAST. PQFP	PLAST. TOFP	PLAST. VQFP	TOP-BRAZED COFP	PLAST. PGA	CERAM. PGA	PLAST. TOFP	PLAST. PQFP	TOP-BRAZED COFP	PLAST. PGA	CERAM. PGA	PLAST. TOFP	PLAST. PQFP	CERAM. PGA
CODE	PC44	VQ64	PC68	PC84	PG84	PQ100	TQ100	VQ100	CB100	PP132	PG132	TQ144	PQ160	CB164	PP175	PG175	TQ176	PQ208	PC223
XC3020A	-7		CI	CI	CI	CI													
	-6		C	C	C	C													
XC3030A	-7	CI	CI	CI	CI	CI		CI											
	-6	C	C	C	C	C		C											
XC3042A	-7			CI	CI	CI		CI		CI	CI	CI							
	-6			C	C	C		C		C	C	C							
XC3064A	-7			CI						CI	CI	CI	CI						
	-6			C						C	C	C	C						
XC3090A	-7			CI									CI		CI	CI	CI	CI	
	-6			C									C		C	C	C	C	

C = Commercial = 0° to +70° C    I = Industrial = -40° to +85° C    M = Mil Temp = -55° to +125° C    B = MIL-STD-883C Class B  
 Parentheses indicate future product plans



# XC3000L Low Voltage Logic Cell Array Family

## Preliminary Product Specification

### Features

- Part of the ZERO+ family of 3.3 V FPGAs
- Low supply voltage FPGA family with five device types
  - JEDEC-compliant 3.3 V version of the XC3000A LCA Family
  - Logic densities from 1,300 to 7,500 gates
  - Up to 144 user-definable I/Os
- Advanced, low power 0.8  $\mu$  CMOS static memory technology
  - Very low quiescent current consumption,  $\leq 20\mu\text{A}$
  - Operating power consumption 56% less than XC3000A, 66% less than previous generation 5 V FPGAs
- Superset of the industry-leading XC3000 family
  - Identical to the basic XC3000 in structure, pinout, design methodology, and software tools
  - 100% compatible with all XC3000, XC3000A, and XC3100 bitstreams
  - Improved routing and additional features
- Additional programmable interconnection points (PIPs)
  - Improved access to Longlines and CLB clock enable inputs
  - Most efficient XC3000-class solution to bus-oriented designs
- XC3000L-specific features
  - Guaranteed over the 3.0 to 3.6 V  $V_{cc}$  range
  - TTL-equivalent input and output levels
  - 4 mA output sink and source current
  - Error checking of the configuration bitstream
  - Soft startup starts all outputs in slew-limited mode upon power-up
  - Easy migration to the XC3400 series of HardWire mask programmed devices for high-volume production

### Description

The XC3000L family of FPGAs is optimized for operation from a nominally 3.3 V supply. Aside from the electrical and timing parameters listed in this data sheet, the XC3000L family is in all respects identical with the XC3000A family, and is a superset of the XC3000 family.

The operating power consumption of Xilinx FPGAs is almost exclusively dynamic, and it changes with the square of the supply voltage. For a given complexity and clock speed, the XC3000L consumes, therefore, only 44% of the power used by the equivalent XC3000A device. In accordance with its use in battery-powered equipment, the XC3000L family was designed for the lowest possible power-down and quiescent current consumption.

In mixed supply-voltage systems, the XC3000L, fed by a 3.3 V (nominal) supply, can directly drive any device with TTL-like input thresholds. When a 5 V device drives the XC3000L, a current-limiting resistor (1 k $\Omega$ ) or a voltage divider is required to prevent excessive input current.

Like the XC3000A family, XC3000L offers the following functional improvements over the popular XC3000 family:

The XC3000L family has additional interconnect resources to drive the I-inputs of TBUFs driving horizontal Longlines. The CLB Clock Enable input can be driven from a second vertical Longline. These two additions result in more efficient and faster designs when horizontal Longlines are used for data bussing.

During configuration, the XC3000L devices check the bitstream format for stop bits in the appropriate positions. Any error terminates the configuration and pulls INIT Low.

When the configuration process is finished and the device starts up in user mode, the first activation of the outputs is automatically slew-rate limited. This feature, called Soft Startup, avoids the potential ground bounce when all outputs are turned on simultaneously. After start-up, the slew rate of the individual outputs is, as in the XC3000 family, determined by the individual configuration option.

The XC3000L family is a superset of the XC3000 family. Any bitstream used to configure an XC3000 device configures an XC3000L device the same way.

Device	CLBs	Array	User I/Os Max	Flip-Flops	Horizontal Longlines	Configurable Data Bits
XC3020L	64	8 x 8	64	256	16	14,779
XC3030L	100	10 x 10	80	360	20	22,176
XC3042L	144	12 x 12	96	480	24	30,784
XC3064L	224	16 x 14	120	688	32	46,064
XC3090L	320	16 x 20	144	928	40	64,160

Xilinx maintains test specifications for each product as controlled documents. To insure the use of the most recently released device performance parameters, please request a copy of the current test-specification revision.

**Absolute Maximum Ratings**

<b>Symbol</b>	<b>Description</b>		<b>Units</b>
$V_{CC}$	Supply voltage relative to GND	-0.5 to +7.0	V
$V_{IN}$	Input voltage with respect to GND	-0.5 to $V_{CC} + 0.5$	V
$V_{TS}$	Voltage applied to 3-state output	-0.5 to $V_{CC} + 0.5$	V
$T_{STG}$	Storage temperature (ambient)	-65 to +150	°C
$T_{SOL}$	Maximum soldering temperature (10 s @ 1/16 in.)	+260	°C
$T_J$	Junction temperature plastic	+125	°C
	Junction temperature ceramic	+150	°C

**Note:** Stresses beyond those listed under Absolute Maximum Ratings may cause permanent damage to the device. These are stress ratings only, and functional operation of the device at these or any other conditions beyond those listed under Recommended Operating Conditions is not implied. Exposure to Absolute Maximum Ratings conditions for extended periods of time may affect device reliability.

**Operating Conditions**

<b>Symbol</b>	<b>Description</b>	<b>Min</b>	<b>Max</b>	<b>Units</b>
$V_{CC}$	Supply voltage relative to GND    Commercial    0°C to +70°C	3.0	3.6	V
$V_{IH}$	High-level input voltage	2.0	$V_{CC} + 0.3$	V
$V_{IL}$	Low-level input voltage	-0.3	0.8	V
$T_{IN}$	Input signal transition time		250	ns

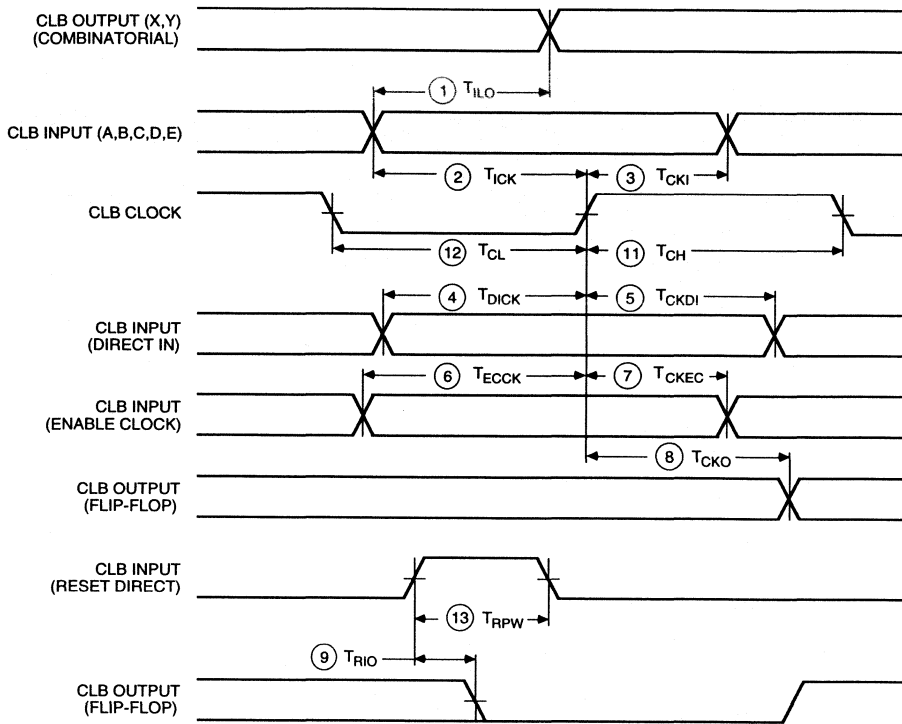
Although the present (1993) devices operate over the full supply voltage range from 3.0 to 5.25 V, Xilinx reserves the right to restrict operation to the 3.0 to 3.6 V range later, when smaller device geometries might preclude operation at 5 V.

## DC Characteristics Over Operating Conditions

Symbol	Description	Min	Max	Units
$V_{OH}$	High-level output voltage (@ $I_{OH} = -4.0 \text{ mA}$ , $V_{CC} \text{ min}$ )	2.40		V
$V_{OL}$	Low-level output voltage (@ $I_{OL} = 4.0 \text{ mA}$ , $V_{CC} \text{ max}$ )		0.40	V
$V_{OH}$	High-level output voltage (@ $-100 \mu\text{A}$ , $V_{CC} \text{ min}$ )	$V_{CC} - 0.2$		V
$V_{OL}$	Low-level output voltage (@ $100 \mu\text{A}$ , $V_{CC} \text{ max}$ )		0.2	V
$V_{CCPD}$	Power-down supply voltage ( $\overline{\text{PWRDWN}}$ must be Low)	2.30		V
$I_{CCPD}$	Power-down supply current ( $V_{CC(\text{MAX})}$ @ $T_{\text{MAX}}$ )		10	$\mu\text{A}$
$I_{CCO}$	Quiescent LCA supply current* Chip thresholds programmed as CMOS levels		20	$\mu\text{A}$
$I_{IL}$	Input Leakage Current, all I/O pins in parallel	-10	+10	$\mu\text{A}$
$C_{IN}$	Input capacitance, all packages except PGA175 (sample tested) All Pins except XTL1 and XTL2 XTL1 and XTL2		10 15	pF pF
	Input capacitance, PGA 175 (sample tested) All Pins except XTL1 and XTL2 XTL1 and XTL2		15 20	pF pF
$I_{RIN}$	Pad pull-up (when selected) @ $V_{IN} = 0 \text{ V}$ (sample tested)	0.02	0.17	mA
$I_{RLL}$	Horizontal Longline pull-up (when selected) @ logic Low		2.50	mA

\* With no output current loads, no active input or Longline pull-up resistors, all package pins at  $V_{CC}$  or GND, and the LCA device configured with a MakeBits tie option.  $I_{CCO}$  is in addition to  $I_{CCPD}$ .

CLB Switching Characteristic Guidelines



1105 26

Buffer (Internal) Switching Characteristic Guidelines

		Speed Grade				
Description	Symbol					Units
<b>Global and Alternate Clock Distribution*</b> Either: <b>Normal</b> IOB input pad through clock buffer to any CLB or IOB clock input Or: <b>Fast</b> (CMOS only) input pad through clock buffer to any CLB or IOB clock input	$T_{PID}$					ns
	$T_{PIDC}$					ns
<b>TBUF</b> driving a Horizontal Longline (L.L.)* I to L.L. while T is Low (buffer active) T↓ to L.L. active and valid with single pull-up resistor T↓ to L.L. active and valid with pair of pull-up resistors T↑ to L.L. High with single pull-up resistor T↑ to L.L. High with pair of pull-up resistors	$T_{IO}$					ns
	$T_{ON}$					ns
	$T_{ON}$					ns
	$T_{PUS}$					ns
	$T_{PUF}$					ns
<b>BIDI</b> Bidirectional buffer delay	$T_{BIDI}$					ns

\* Timing is based on the XC3042L, for other devices see XACT timing calculator.



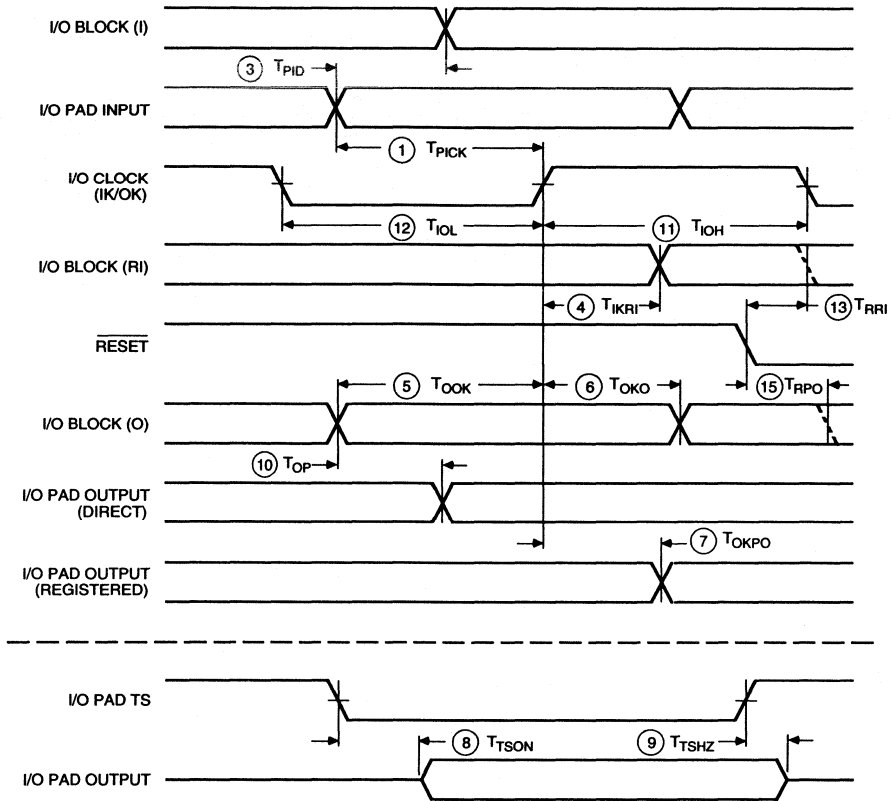
## CLB Switching Characteristic Guidelines (continued)

Testing of the switching parameters is modeled after testing methods specified by MIL-M-38510/605. All devices are 100% functionally tested. Since many internal timing parameters cannot be measured directly, they are derived from benchmark timing patterns. The following guidelines reflect worst-case values over the recommended operating conditions. For more detailed, more precise, and more up-to-date timing information, use the values provided by the XACT timing calculator and used in the simulator.

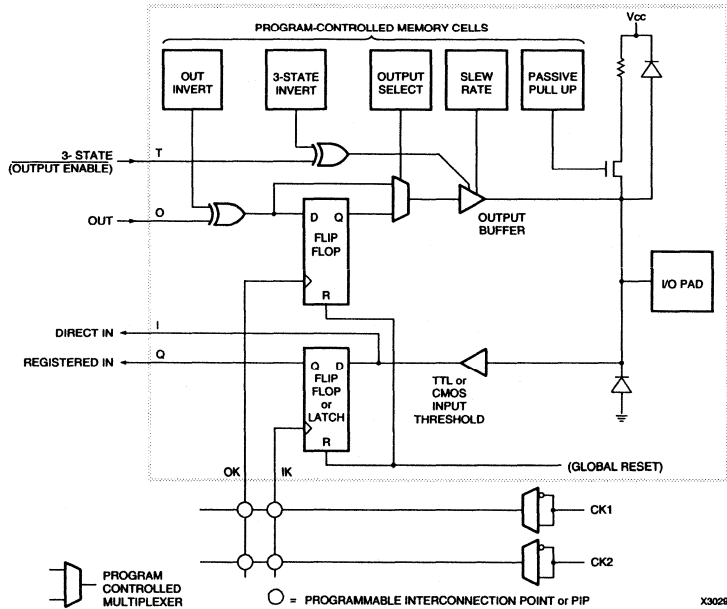
Description	Speed Grade								Units
	Symbol								
Combinatorial Delay Logic Variables A, B, C, D, E, to outputs X or Y	1	T <sub>ILO</sub>							ns
Sequential delay Clock k to outputs X or Y Clock k to outputs X or Y when Q is returned through function generators F or G to drive X or Y	8	T <sub>CKO</sub>							ns
		T <sub>QLO</sub>							ns
Set-up time before clock K Logic Variables A, B, C, D, E Data In DI Enable Clock EC Reset Direct inactive RD	2	T <sub>ICK</sub>							ns
	4	T <sub>DICK</sub>							ns
	6	T <sub>ECCK</sub>							ns
									ns
Hold Time after clock K Logic Variables A, B, C, D, E Data In DI Enable Clock EC	3	T <sub>CKI</sub>							ns
	5	T <sub>CKDI</sub>							ns
	7	T <sub>CKEC</sub>							ns
Clock Clock High time Clock Low time Max flip-flop toggle rate	11	T <sub>CH</sub>							ns
	12	T <sub>CL</sub>							ns
		F <sub>CLK</sub>							MHz
Reset Direct (RD) RD width delay from RD to outputs X or Y	13	T <sub>RPW</sub>							ns
	9	T <sub>RIO</sub>							ns
Global Reset (RESET Pad)* RESET width (Low) delay from RESET pad to outputs X or Y		T <sub>MRW</sub>							ns
		T <sub>MRQ</sub>							ns

\*Timing is based on the XC3042L, for other devices see XACT timing calculator.

I/O Switching Characteristic Guidelines



1105 27C



X3029

## IOB Switching Characteristic Guidelines (continued)

Testing of the switching parameters is modeled after testing methods specified by MIL-M-38510/605. All devices are 100% functionally tested. Since many internal timing parameters cannot be measured directly, they are derived from benchmark timing patterns. The following guidelines reflect worst-case values over the recommended operating conditions. For more detailed, more precise, and more up-to-date timing information, use the values provided by the XACT timing calculator and used in the simulator.

Description	Speed Grade		Units
	Symbol		
Propagation Delays (Input)			
Pad to Direct In (I)	3	$T_{PID}$	ns
Pad to Registered In (Q) with latch transparent	4	$T_{PTG}$	ns
Clock (IK) to Registered In (Q)		$T_{IKRI}$	ns
Set-up Time (Input)			
Pad to Clock (IK) set-up time	1	$T_{PICK}$	ns
Propagation Delays (Output)			
Clock (OK) to Pad (fast)	7	$T_{OKPO}$	ns
same (slew rate limited)	7	$T_{OKPO}$	ns
Output (O) to Pad (fast)	10	$T_{OPF}$	ns
same (slew-rate limited)	10	$T_{OPS}$	ns
3-state to Pad begin hi-Z (fast)	9	$T_{TSHZ}$	ns
same (slew-rate limited)	9	$T_{TSHZ}$	ns
3-state to Pad active and valid (fast)	8	$T_{TSON}$	ns
same (slew -rate limited)	8	$T_{TSON}$	ns
Set-up and Hold Times (Output)			
Output (O) to clock (OK) set-up time	5	$T_{OOK}$	ns
Output (O) to clock (OK) hold time	6	$T_{OKO}$	ns
Clock			
Clock High time	11	$T_{IOH}$	ns
Clock Low time	12	$T_{JOL}$	ns
Max. flip-flop toggle rate		$F_{CLK}$	MHz
Global Reset Delays (based on XC3042L)			
RESET Pad to Registered In (Q)	13	$T_{RRI}$	ns
RESET Pad to output pad (fast)	15	$T_{RPO}$	ns
(slew-rate limited)	15	$T_{RPO}$	ns

- Notes:
1. Timing is measured at pin threshold, with 50 pF external capacitive loads (incl. test fixture). For larger capacitive loads, see XAPP024. Typical slew rate limited output rise/fall times are approximately four times longer.
  2. Voltage levels of unused (bonded and unbonded) pads must be valid logic levels. Each can be configured with the internal pull-up resistor or alternatively configured as a driven output or driven from an external source.
  3. Input pad set-up time is specified with respect to the internal clock (IK). In order to calculate system set-up time, subtract clock delay (pad to IK) from the input pad set-up time value. Input pad holdtime with respect to the internal clock (IK) is negative. This means that pad level changes immediately before the internal clock edge (IK) will not be recognized.

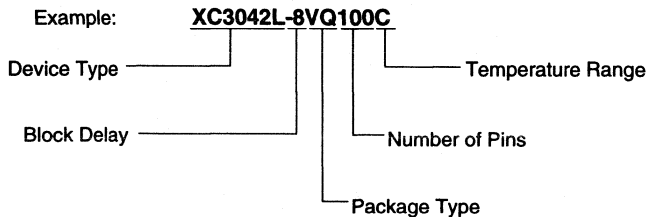
For a detailed description of the device architecture, see pages 2-100 through 2-117.

For a detailed description of the configuration modes and their timing, see pages 2-118 through 2-126.

For detailed lists of package pin-outs, see pages 2-130 through 2-142.

For package physical dimensions, see Section 4.

**Ordering Information**



**Component Availability**

PINS	44		64	68		84				100				132		144	160	164		175		176	208	223
	PLAST. PLCC	PLAST. VQFP	PLAST. PLCC	PLAST. PLCC	CERAM. PGA	PLAST. PQFP	PLAST. TQFP	PLAST. VQFP	TOP-BRAZED COFP	PLAST. PGA	CERAM. PGA	PLAST. TQFP	PLAST. PQFP	TOP-BRAZED COFP	PLAST. PGA	CERAM. PGA	PLAST. TQFP	PLAST. PQFP	PLAST. TQFP	PLAST. PQFP	CERAM. PGA	CERAM. PGA		
CODE	PC44	VQ64	PC68	PC84	PG84	PQ100	TQ100	VQ100	CB100	PP132	PG132	TQ144	PQ160	CB164	PP175	PG175	TQ176	PQ208	PG223					
XC3020L		C		C																				
XC3030L		C		C				C																
XC3042L				C				C				C												
XC3064L				C								C												
XC3090L				C																		C		

C = Commercial = 0° to +70° C    I = Industrial = -40° to +85° C    M = Mil Temp = -55° to +125° C    B = MIL-STD-883C Class B  
 Parentheses indicate future product plans



# XC3100 Logic Cell Array Family

## Product Specifications

### Features

- Ultra-high-speed FPGA family with six device types
  - 50-80 MHz system clock rates
  - Guaranteed flip-flop toggle rates of 190 to 270 MHz
  - Logic delays of 5 to 3 ns
  - Performance 1.7-to-2 times that of the XC3000-125
- Advanced 0.8  $\mu$  performance
  - Optimized CMOS process
- 100% architecture, pin-out, software and bitstream compatible with the XC3000 family devices
- XC3100-specific Features
  - 8 mA output sink current and 4 mA source current
  - Minimum power down and quiescent current is 0.5 mA
  - Additional 22 x 22 array size of the XC3195
  - Easy migration to the XC3400 series of HardWire mask-programmed devices for high-volume production

### Description

The XC3100 is a performance-optimized relative of the industry-leading XC3000 family. While both families are bitstream and footprint compatible, the XC3100 family extends in-system performance to 80 MHz and beyond.

The table in the next column provides a comparison between the XC3100 family and the XC3000.

	Speed Grade	T <sub>ILO</sub>	Max Toggle Rate
XC3100	-3	2.7	270
	-4	3.3	230
	-5	4.1	190
XC3000	-125	5.5	125
	-100	7.0	100
	-70	9.0	70

The regular, flexible, reprogrammable array architecture is composed of three standard types of programmable elements: a perimeter of Input/Output Blocks (IOBs), a core array of Configurable Logic Blocks (CLBs), and resources for interconnection. Xilinx FPGAs can be reprogrammed an unlimited number of times.

The devices are customized by the configuration program data stored in internal memory cells. The FPGA can either actively read its configuration data out of an external serial or byte-parallel PROM (master modes), or the configuration can be written into the FPGA (slave and peripheral modes). Xilinx offers a variety of companion serial-configuration PROMs for convenient program storage in a one-time programmable device.

The XACT development system delivers a powerful software tool set for design implementation: from schematic capture, to simulation, auto place-and-route, and finally the creation of the configuration bit stream.

The XC3100 family follows the XC4000 speed-grade nomenclature, indicating device performance based on the internal logic-block delay.

Device	CLBs	Array	User I/O Max	Flip-Flops	Horizontal Longlines	Configuration Data Bits
XC3120	64	8 x 8	64	256	16	14,779
XC3130	100	10 x 10	80	360	20	22,176
XC3142	144	12 x 12	96	480	24	30,784
XC3164	224	16 x 14	120	688	28	46,064
XC3190	320	16 x 20	144	928	40	64,160
XC3195	484	22 x 22	176	1,320	44	94,944

Xilinx maintains test specifications for each product as controlled documents. To insure the use of the most recently released device performance parameters, please request a copy of the current test-specification revision.

**Absolute Maximum Ratings**

<b>Symbol</b>	<b>Description</b>		<b>Units</b>
$V_{CC}$	Supply voltage relative to GND	-0.5 to +7.0	V
$V_{IN}$	Input voltage with respect to GND	-0.5 to $V_{CC} + 0.5$	V
$V_{TS}$	Voltage applied to 3-state output	-0.5 to $V_{CC} + 0.5$	V
$T_{STG}$	Storage temperature (ambient)	-65 to +150	°C
$T_{SOL}$	Maximum soldering temperature (10 s @ 1/16 in.)	+260	°C
$T_J$	Junction temperature plastic	+125	°C
	Junction temperature ceramic	+150	°C

Note: Stresses beyond those listed under Absolute Maximum Ratings may cause permanent damage to the device. These are stress ratings only, and functional operation of the device at these or any other conditions beyond those listed under Recommended Operating Conditions is not implied. Exposure to Absolute Maximum Ratings conditions for extended periods of time may affect device reliability.

**Operating Conditions**

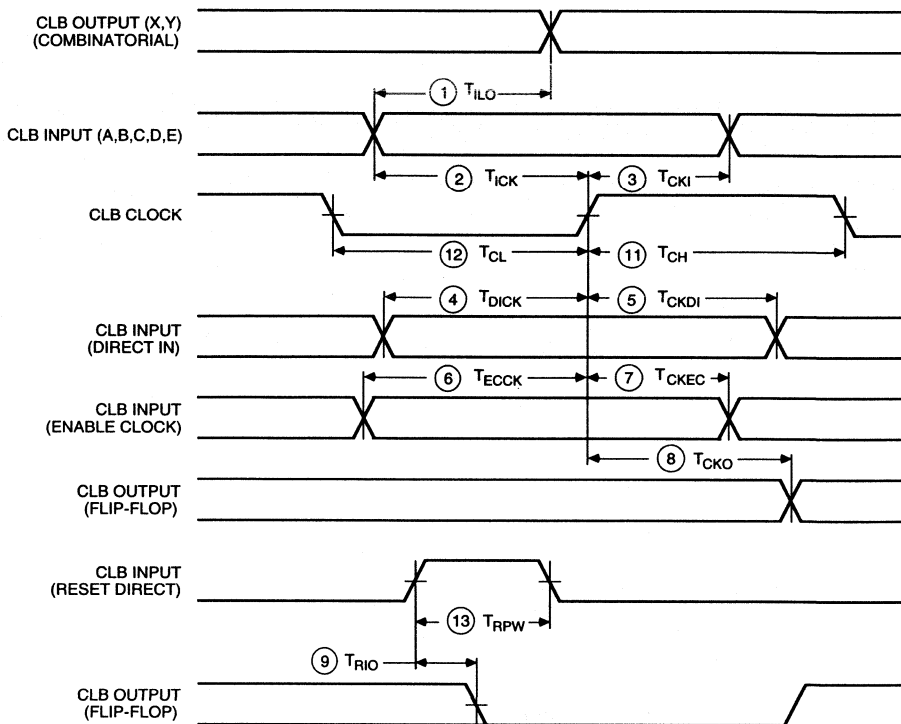
<b>Symbol</b>	<b>Description</b>	<b>Min</b>	<b>Max</b>	<b>Units</b>
$V_{CC}$	Supply voltage relative to GND Commercial 0°C to +70°C	4.75	5.25	V
	Supply voltage relative to GND Industrial -40°C to +85°C	4.5	5.5	V
$V_{IHT}$	High-level input voltage — TTL configuration	2.0	$V_{CC}$	V
$V_{ILT}$	Low-level input voltage — TTL configuration	0	0.8	V
$V_{IHC}$	High-level input voltage — CMOS configuration	70%	100%	$V_{CC}$
$V_{ILC}$	Low-level input voltage — CMOS configuration	0	20%	$V_{CC}$
$T_{IN}$	Input signal transition time		250	ns

## DC Characteristics Over Operating Conditions

Symbol	Description		Min	Max	Units
$V_{OH}$	High-level output voltage (@ $I_{OH} = -8.0 \text{ mA}$ , $V_{CC} \text{ min}$ )	Commercial	3.86		V
$V_{OL}$	Low-level output voltage (@ $I_{OL} = 8.0 \text{ mA}$ , $V_{CC} \text{ max}$ )			0.40	V
$V_{OH}$	High-level output voltage (@ $I_{OH} = -8.0 \text{ mA}$ , $V_{CC} \text{ min}$ )	Industrial	3.76		V
$V_{OL}$	Low-level output voltage (@ $I_{OL} = 8.0 \text{ mA}$ , $V_{CC} \text{ max}$ )			0.40	V
$V_{CCPD}$	Power-down supply voltage (PWRDWN must be Low)		2.30		V
$I_{CCO}$	Quiescent LCA supply current Chip thresholds programmed as CMOS levels <sup>1</sup>			5	mA
	Chip thresholds programmed as TTL levels			14	mA
$I_{IL}$	Input Leakage Current		-10	+10	$\mu\text{A}$
$C_{IN}$	Input capacitance, all packages except PGA175 (sample tested) All Pins except XTL1 and XTL2 XTL1 and XTL2			10 15	pF pF
	Input capacitance, PGA 175 (sample tested) All Pins except XTL1 and XTL2 XTL1 and XTL2			15 20	pF pF
$I_{RIN}$	Pad pull-up (when selected) @ $V_{IN} = 0\text{V}$ (sample tested)		0.02	0.17	mA
$I_{RLL}$	Horizontal long line pull-up (when selected) @ logic Low		0.20	2.80	mA

- Note: 1. With no output current loads, no active input or long line pull-up resistors, all package pins at  $V_{CC}$  or GND, and the LCA configured with a MakeBits tie option.
2. Total continuous output sink current may not exceed 100 mA per ground pin. The number of ground pins varies from two for the XC3120 in the PC84 package, to eight for the XC3195 in the PQ208 or PG223 package.

CLB Switching Characteristic Guidelines



Buffer (Internal) Switching Characteristic Guidelines

1105 26

Description	Symbol	Speed Grade			Units
		-5 Max	-4 Max	-3 Max	
<b>Global and Alternate Clock Distribution*</b> Either: <b>Normal</b> IOB input pad through clock buffer to any CLB or IOB clock input Or: <b>Fast</b> (CMOS only) input pad through clock buffer to any CLB or IOB clock input	$T_{PID}$	6.8	6.5	5.6	ns
	$T_{PIDC}$	5.4	5.1	4.3	ns
<b>TBUF</b> driving a Horizontal Long line (L.L.)* I to L.L. while T is Low (buffer active) T↓ to L.L. active and valid with single pull-up resistor T↓ to L.L. active and valid with pair of pull-up resistors T↑ to L.L. High with single pull-up resistor T↑ to L.L. High with pair of pull-up resistors	$T_{IO}$	4.1	3.7	3.1	ns
	$T_{ON}$	5.6	5.0	4.2	ns
	$T_{ON}$	7.1	6.5	5.7	ns
	$T_{PUS}$	15.6	13.5	11.4	ns
	$T_{PUF}$	12.0	10.5	8.8	ns
<b>BIDI</b> Bidirectional buffer delay	$T_{BIDI}$	1.4	1.2	1.0	ns

\* Timing is based on the XC3142, for other devices see XACT timing calculator.



## CLB Switching Characteristic Guidelines (continued)

Testing of the switching parameters is modeled after testing methods specified by MIL-M-38510/605. All devices are 100% functionally tested. Since many internal timing parameters cannot be measured directly, they are derived from benchmark timing patterns. The following guidelines reflect worst-case values over the recommended operating conditions. For more detailed, more precise, and more up-to-date timing information, use the values provided by the XACT timing calculator and used in the simulator.

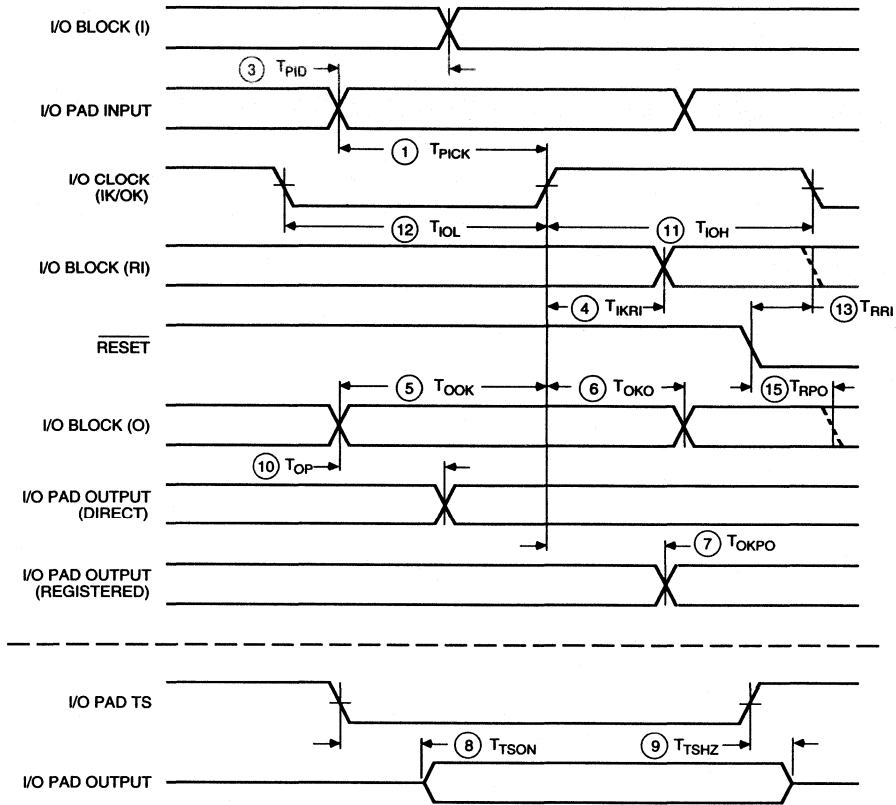
Description	Speed Grade		-5		-4		-3		Units
	Symbol		Min	Max	Min	Max	Min	Max	
Combinatorial Delay Logic Variables A, B, C, D, E, to outputs X or Y	1	$T_{ILO}$		4.1		3.3		2.7	ns
Sequential delay Clock K to outputs X or Y	8	$T_{CKO}$		3.1		2.5		2.1	ns
Clock K to outputs X or Y when Q is returned through function generators F or G to drive X or Y		$T_{QLO}$		6.3		5.2		4.3	ns
Set-up time before clock K Logic Variables A, B, C, D, E	2	$T_{ICK}$	3.1		2.5		2.1		ns
Data In DI	4	$T_{DICK}$	2.0		1.6		1.4		ns
Enable Clock EC	6	$T_{ECCK}$	3.8		3.2		2.7		ns
Reset Direct inactive RD			1.0		1.0		1.0		ns
Hold Time after clock k Logic Variables A, B, C, D, E	3	$T_{CKI}$	0		0		0		ns
Data In DI	5	$T_{CKDI}$	1.2		1.0		0.9		ns
Enable Clock EC	7	$T_{CKEC}$	1.0		0.8		0.7		ns
Clock Clock High time	11	$T_{CH}$	2.4		2.0		1.6		ns
Clock Low time	12	$T_{CL}$	2.4		2.0		1.6		ns
Max. flip-flop toggle rate		$F_{CLK}$	190		230		270		MHz
Reset Direct (RD) RD width	13	$T_{RPW}$	3.8		3.2		2.7		ns
delay from RD to outputs X or Y	9	$T_{RIO}$		4.4		3.7		3.1	ns
Global Reset (RESET Pad)* RESET width (Low)		$T_{MRW}$	18.0		15.0		13.0		ns
delay from RESET pad to outputs X or Y		$T_{MRQ}$		17.0		14.0		12.0	ns

\*Timing is based on the XC3142, for other devices see XACT timing calculator.

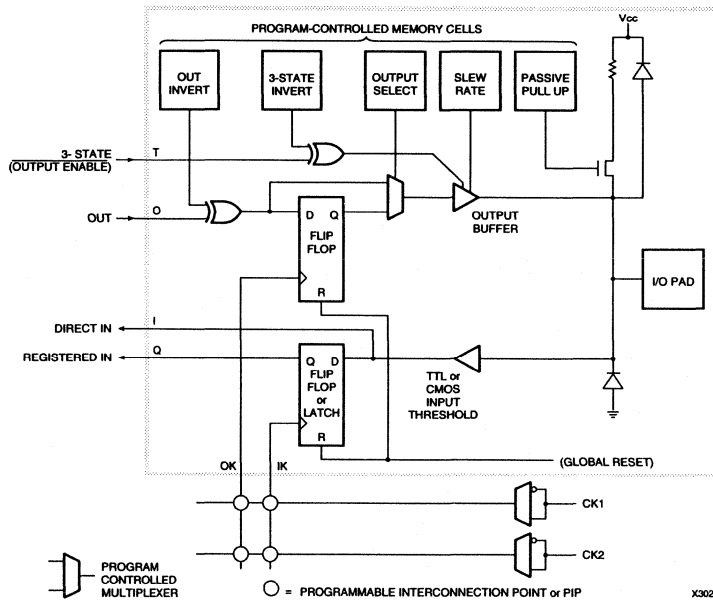
Notes: The CLB K to Q output delay ( $T_{CKO}$ , #8) of any CLB, plus the shortest possible interconnect delay, is always longer than the Data In hold time requirement ( $T_{CKDI}$ , #5) of any CLB on the same die.

$T_{ILO}$ ,  $T_{QLO}$  and  $T_{ICK}$  are specified for 4-input functions. For 5-input functions or base FGM functions, each specification increases by 0.8 ns (-5), 0.6 ns (-4) and 0.5 ns (-3).

I/O Switching Characteristic Guidelines



1105 27C



X3029

## IOB Switching Characteristic Guidelines (continued)

Testing of the switching parameters is modeled after testing methods specified by MIL-M-38510/605. All devices are 100% functionally tested. Since many internal timing parameters cannot be measured directly, they are derived from benchmark timing patterns. The following guidelines reflect worst-case values over the recommended operating conditions. For more detailed, more precise, and more up-to-date timing information, use the values provided by the XACT timing calculator and used in the simulator.

Description	Speed Grade		-5		-4		-3		Units
	Symbol		Min	Max	Min	Max	Min	Max	
Propagation Delays (Input)									
Pad to Direct In (I)	3	$T_{PID}$		2.8		2.5	2.2	ns	
Pad to Registered In (q) with latch transparent		$T_{PTG}$		16.0		15.0	13.0	ns	
Clock (IK) to Registered In (Q)	4	$T_{IKRI}$		2.8		2.5	2.2	ns	
Set-up Time (Input)									
Pad to Clock (IK) set-up time	1	$T_{PICK}$	15.0		14.0		12.0	ns	
Propagation Delays (Output)									
Clock (OK) to Pad (fast)	7	$T_{OKPO}$		5.5		5.0	4.4	ns	
same (slew rate limited)	7	$T_{OKPO}$		14.0		12.0	10.0	ns	
Output (O) to Pad (fast)	10	$T_{OPF}$		4.1		3.7	3.3	ns	
same (slew-rate limited)	10	$T_{OPS}$		13.0		11.0	9.0	ns	
3-state to Pad begin hi-Z (fast)	9	$T_{TSHZ}$		6.9		6.2	5.5	ns	
same (slew-rate limited)	9	$T_{TSHZ}$		6.9		6.2	5.5	ns	
3-state to Pad active and valid (fast)	8	$T_{TSON}$		12.0		10.0	9.0	ns	
same (slew -rate limited)	8	$T_{TSON}$		20.0		17.0	15.0	ns	
Set-up and Hold Times (Output)									
Output (O) to clock (OK) set-up time	5	$T_{OOK}$	6.2		5.6		5.0	ns	
Output (O) to clock (OK) hold time	6	$T_{OKO}$	0		0		0	ns	
Clock									
Clock High time	11	$T_{IOH}$	2.4		2.0		1.6	ns	
Clock Low time	12	$T_{IOL}$	2.4		2.0		1.6	ns	
Max. flip-flop toggle rate		$F_{CLK}$	190		230		270	MHz	
Global Reset Delays (based on XC3142)									
RESET Pad to Registered In (Q)	13	$T_{RRI}$		18.0		15.0	13.0	ns	
RESET Pad to output pad (fast)	15	$T_{RPO}$		24.0		20.0	17.0	ns	
(slew-rate limited)	15	$T_{RPO}$		32.0		27.0	23.0	ns	

- Notes:
- Timing is measured at pin threshold, with 50 pF external capacitive loads (incl. test fixture). For larger capacitive loads, see XAPP 024. Typical slew rate limited output rise/fall times are approximately four times longer.
  - Voltage levels of unused (bonded and unbonded) pads must be valid logic levels. Each can be configured with the internal pull-up resistor or alternatively configured as a driven output or driven from an external source.
  - Input pad set-up time is specified with respect to the internal clock (IK). In order to calculate system set-up time, subtract clock delay (pad to ik) from the input pad set-up time value. Input pad holdtime with respect to the internal clock (IK) is negative. This means that pad level changes immediately before the internal clock edge (IK) will not be recognized.
  - $T_{PID}$ ,  $T_{PTG}$ , and  $T_{PICK}$  are 3 ns higher for XTAL2 when the pin is configured as a user input.

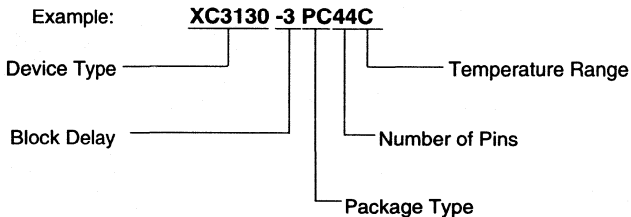
For a detailed description of the device architecture, see pages 2-100 through 2-117.

For a detailed description of the configuration modes and their timing, see pages 2-118 through 2-126.

For detailed lists of package pin-outs, see pages 2-130 through 2-142.

For package physical dimensions, see Section 4.

**Ordering Information**



**Component Availability**

PINS	44	64	68	84			100			132	144	160	164	175		176	208	223		
	PLAST. PLCC	PLAST. VQFP	PLAST. PLCC	PLAST. PLCC	CERAM. PGA	PLAST. PQFP	PLAST. TQFP	PLAST. VQFP	TOP-BRAZED COFP	PLAST. PGA	CERAM. PGA	PLAST. TQFP	PLAST. PQFP	TOP-BRAZED COFP	PLAST. PGA	CERAM. PGA	PLAST. TQFP	PLAST. PQFP	CERAM. PGA	
CODE	PC44	VQ64	PC68	PC84	PG84	PQ100	TQ100	VQ100	CB100	PP132	PG132	TQ144	PQ160	CB164	PP175	PG175	TQ176	PQ208	PG223	
XC3120	-5		C I	C I	C I	C I (M B)			(M B)											
	-4		C I	C I	C I	C I														
	-3		C	C	C	C														
XC3130	-5	C I		C I	C I	C I	C													
	-4	C I		C I	C I	C I	C													
	-3	C		C	C	C	C													
XC3142	-5			C I	C I	C I (M B)	C		(M B)	C	C I (M B)	C I								
	-4			C I	C I	C I	C			C	C I	C I								
	-3			C	C	C	C			C	C	C								
XC3164	-5			C I						C I	C I		C I							
	-4			C I						C I	C I		C I							
	-3			C						C	C		C							
XC3190	-5			C I									C I	(M B)	C I	C I (M B)			C I	
	-4			C I									C I		C I	C I			C I	
	-3			C									C		C	C			C	
XC3195	-5			C I									C I		C I	C I (M B)			C I	C I (M B)
	-4			C I									C I		C I	C I			C I	C I
	-3			C									C		C	C			C	C

C = Commercial = 0° to +70° C    I = Industrial = -40° to +85° C    M = Mil Temp = -55° to +125° C    B = MIL-STD-883C Class B  
 Parentheses indicate future product plans



# XC2000 Logic Cell Array Families

## *Table of Contents*

Overview .....	2-178
XC2000 Logic Cell Array Families .....	2-179
Architecture .....	2-179
Programmable Interconnect .....	2-183
Crystal Oscillator .....	2-187
Programming .....	2-188
Special Configuration Functions .....	2-191
Master Serial Mode .....	2-192
Master Serial Mode Programming	
Switching Characteristics .....	2-193
Master Parallel Mode .....	2-194
Master Parallel Mode Programming	
Switching Characteristics .....	2-195
Peripheral Mode .....	2-196
Peripheral Mode Programming	
Switching Characteristics .....	2-197
Slave Serial Mode .....	2-198
Slave Serial Mode Programming	
Switching Characteristics .....	2-198
Program Readback Switching	
Characteristics .....	2-199
General LCA Switching Characteristics .....	2-200
Performance .....	2-201
Power .....	2-202
Pin Descriptions .....	2-204
Configuration Pin Assignments .....	2-206
Component Availability .....	2-208
Ordering Information .....	2-208
XC2000 Logic Cell Array Family .....	2-209
Absolute Maximum Ratings .....	2-210
Operating Conditions .....	2-210
DC Characteristics .....	2-211
CLB Switching Characteristic Guidelines .....	2-212
IOB Switching Characteristic Guidelines .....	2-214
XC2000L Low-Voltage Logic Cell Array Family ....	2-215
Absolute Maximum Ratings .....	2-216
Operating Conditions .....	2-216
DC Characteristics .....	2-217
CLB Switching Characteristic Guidelines .....	2-218
IOB Switching Characteristic Guidelines .....	2-220
Ordering Information .....	2-221
Component Availability .....	2-221

## *Overview*

Introduced in 1985, the XC2000 family has seen continuously increasing sales for 8 years. In 1993, Xilinx introduced the ZERO+ Family of 3.3 V devices, intended for the fast growing market of battery-operated portable computers and instruments.

While the XC3000/XC3100 families offer more speed, a wider range of device capacities and more packaging options, and the XC4000 family offers more advanced

systems features, the XC2064 and XC2018 are the world's lowest cost FPGAs, and they remain the most economical solution for all applications where the XC3020 or XC4002A features are not required.

Detailed performance specifications for the faster XC2000 devices and the XC2000L family of 3.3 V devices were not available at press time. Contact your sales representative or the nearest Xilinx sales offices for this information

## Product Description

### Features

- Fully Field-Programmable:
  - I/O functions
  - Digital logic functions
  - Interconnections
- General-purpose array architecture
- Complete user control of design cycle
- Compatible arrays with logic cell complexity equivalent to 1,000 and 1,500 gates
- Available in 5-V and 3.3-V versions
- 100% factory tested
- Selectable configuration modes
- Low-power, CMOS, static-memory technology
- Performance equivalent to TTL SSI/MSI
- TTL or CMOS input thresholds
- Complete development system support
  - XACT Design Editor
  - Schematic Entry
  - Macro Library
  - Timing Calculator
  - Logic and Timing Simulator
  - Auto Place / Route

### Description

The Logic Cell Array (LCA) is a high density CMOS integrated circuit. Its user-programmable array architecture is made up of three types of configurable elements: Input/Output Blocks, logic blocks and Interconnect. The designer can define individual I/O blocks for interface to external circuitry, define logic blocks to implement logic functions and define interconnection networks to compose larger scale logic functions. The XACT Development System provides interactive graphic design capture and automatic routing. Both logic simulation and in-circuit emulation are available for design verification.

The Logic Cell Array is available in a variety of logic capacities, package styles, temperature ranges and speed grades.

Device	V <sub>CC</sub>	Typ. Logic Capacity (gates)	CLBs	User I/O Max	Config. bits
XC2064	5.0 V	800 – 1,000	64	58	12,038
XC2064L	3.3 V	800 – 1,000	64	58	12,038
XC2018	5.0 V	1,200 - 1,500	100	74	17,878
XC2018L	3.3 V	1,200 - 1,500	100	74	17,878

The XC2000 family operates with a nominal 5.0 V supply. The XC2000L family operates with nominal 3.3 V supply.

The LCA logic functions and interconnections are determined by data stored in internal static-memory cells. On-chip logic provides for automatic loading of configuration data at power-up. The program data can reside in an EEPROM, EPROM or ROM on the circuit board or on a floppy disk or hard disk. The program can be loaded in a number of modes to accommodate various system requirements.

### Architecture

The general structure of a Logic Cell Array is shown in Figure 1. The elements of the array include three categories of user programmable elements: I/O Blocks (IOBs), Configurable Logic Blocks (CLBs) and Programmable Interconnections. The IOBs provide an interface between the logic array and the device package pins. The CLBs perform user-specified logic functions, and the interconnect resources are programmed to form networks that carry logic signals among the blocks.

LCA configuration is established through a distributed array of memory cells. The XACT development system generates the program used to configure the Logic Cell Array which includes logic to implement automatic configuration.

### Configuration Memory

The configuration of the Logic Cell Array is established by programming memory cells which determine the logic functions and interconnections. The memory loading process is independent of the user logic functions.

The static memory cell used for the configuration memory in the Logic Cell Array has been designed specifically for high reliability and noise immunity. Based on this design, which has been patented, integrity of the LCA configuration memory is assured even under adverse conditions. Compared with other programming alternatives, static memory provides the best combination of high density, high performance, high reliability and comprehensive testability. As shown in Figure 2, the basic memory cell consists of two CMOS inverters plus a pass transistor used for writing data to the cell. The cell is only written during configuration and only read during readback. During normal operation the pass transistor is off and does not affect the stability of the cell. This is quite different from the normal operation of conventional memory devices, in which the cells are continuously read and rewritten.

The outputs Q and  $\bar{Q}$  control pass-transistor gates directly. The absence of sense amplifiers and the output capacitive load provide additional stability to the cell. Due to the structure of the configuration memory cells, they are not

affected by extreme power supply excursions or very high levels of alpha particle radiation. In reliability testing no soft errors have been observed, even in the presence of very high doses of alpha radiation.

**Input/Output Block**

Each user-configurable I/O block (IOB) provides an interface between the external package pin of the device and the internal logic. Each I/O block includes a programmable input path and a programmable output buffer. It also provides input clamping diodes to provide protection from electro-static damage, and circuits to protect the LCA from latch-up due to input currents. Figure 3 shows the general structure of the I/O block.

The input buffer portion of each I/O block provides threshold detection to translate external signals applied to the package pin to internal logic levels. The input buffer threshold of the I/O blocks can be programmed to be compatible with either TTL (1.4 V) or CMOS (2.2 V) levels. The buffered input signal drives both the data input of an

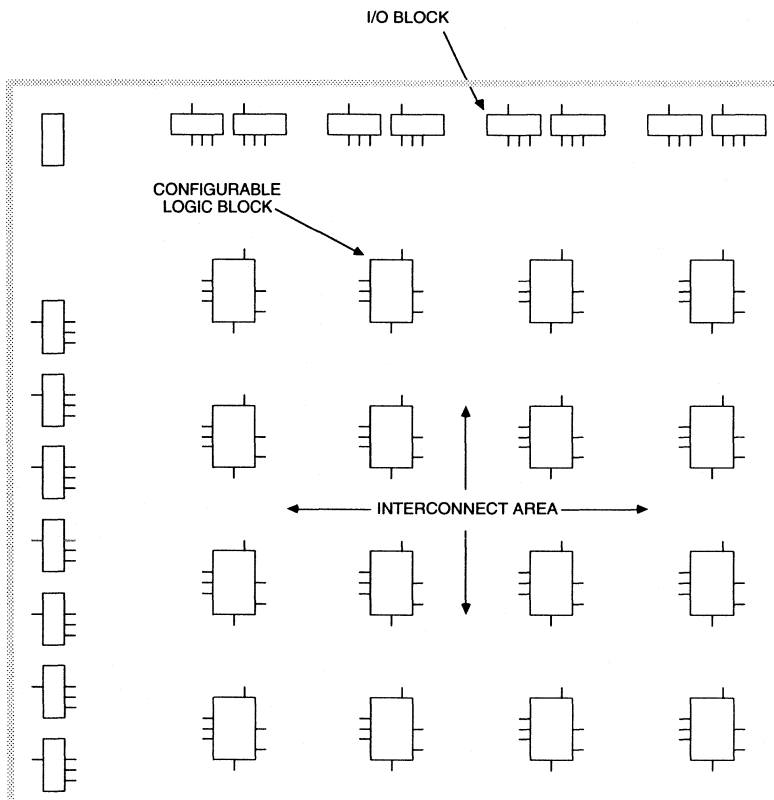
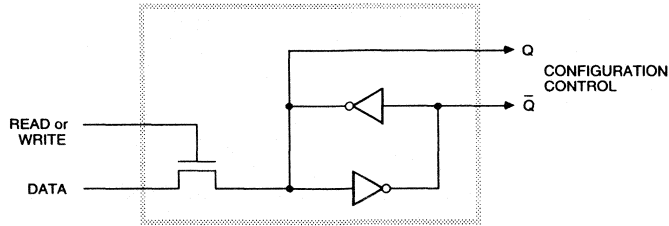


Figure 1. Logic Cell Array Structure





1105 12

Figure 2. Configuration Memory Cell

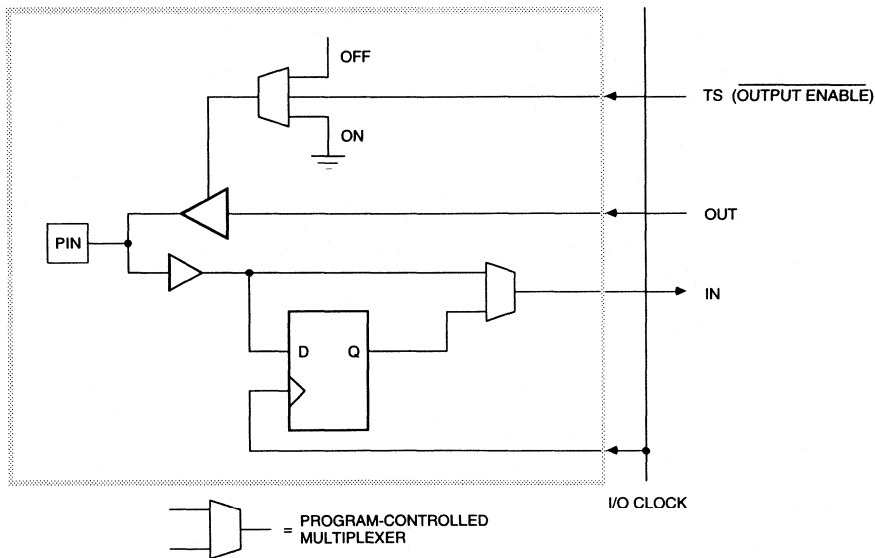
edge-triggered D flip-flop and one input of a two-input multiplexer. The output of the flip-flop provides the other input to the multiplexer. The user can select either the direct input path or the registered input, based on the content of the memory cell controlling the multiplexer. The I/O Blocks along each edge of the die share common clocks. The flip-flops are reset during configuration as well as by the active-low chip RESET input.

Output buffers in the I/O blocks provide 4-mA drive for high fan-out CMOS or TTL-compatible signal levels. The output data (driving I/O block pin O) is the data source for the I/O

block output buffer. Each I/O block output buffer is controlled by the contents of two configuration memory cells which turn the buffer ON or OFF or select 3-state buffer control. The user may also select the output buffer 3-state control (I/O block pin TS). When this I/O block output control signal is High (a logic one), the buffer is disabled and the package pin is high-impedance.

**Configurable Logic Block**

An array of Configurable Logic Blocks (CLBs) provides the functional elements from which the user's logic is constructed. The logic blocks are arranged in a matrix in the



1104 03

Figure 3. I/O Block

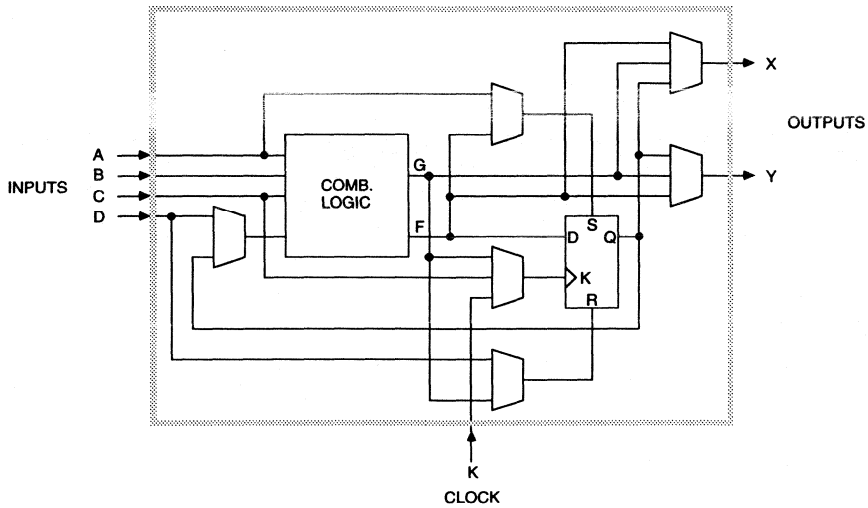


Figure 4. Configurable Logic Block

1104 04

center of the device. The XC2064 has 64 such blocks arranged in an 8-row by 8-column matrix. The XC2018 has 100 logic blocks arranged in a 10 by 10 matrix.

Each logic block has a combinatorial logic section, a storage element, and an internal routing and control section. Each CLB has four general-purpose inputs: A, B, C and D; and a special clock input (K), which may be driven from the interconnect adjacent to the block. Each CLB also has two outputs, X and Y, which may drive interconnect networks. Figure 4 shows the resources of a Configurable Logic Block.

The logic block combinatorial logic uses a table look-up memory to implement Boolean functions. This technique can generate any logic function of up to four variables with a high speed sixteen-bit memory. The propagation delay through the combinatorial network is independent of the function generated. Each block can perform any function of four variables or any two functions of three variables each. The variables may be selected from among the four inputs and the block's storage element output Q. Figure 5 shows various options which may be specified for the combinatorial logic.

If the single 4-variable configuration is selected (Option 1), the F and G outputs are identical. If the 2-function alternative is selected (Option 2), logic functions F and G may be independent functions of three variables each. The three variables can be selected from among the four logic block inputs and the storage element output Q. A third form of the

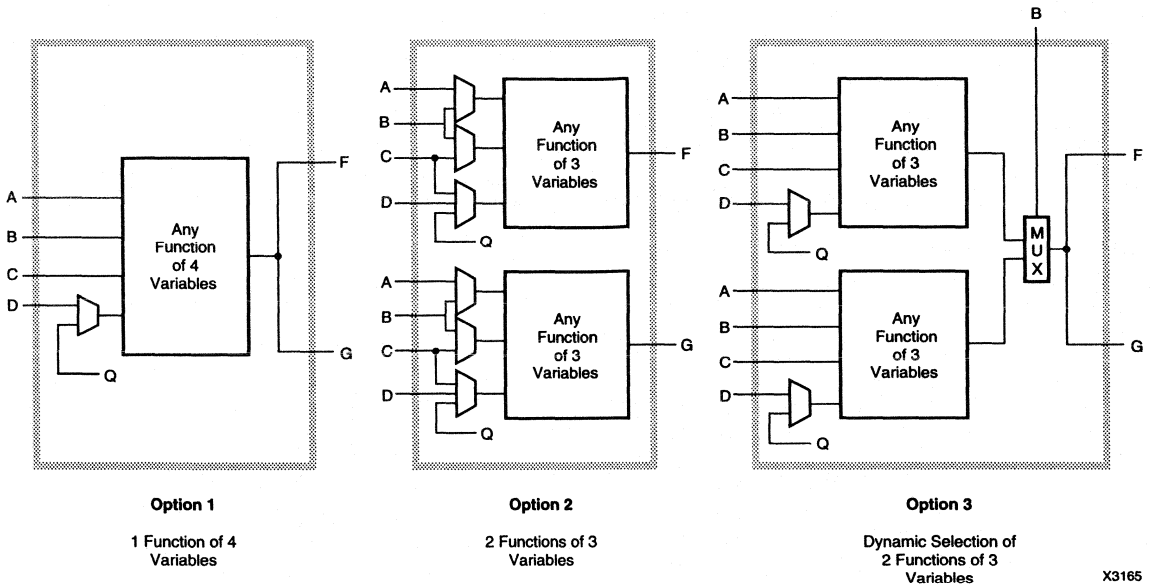
combinatorial logic (Option 3) is a special case of the 2-function form in which the B input dynamically selects between the two function tables providing a single merged logic function output. This dynamic selection allows some 5-variable functions to be generated from the four block inputs and storage element Q. Combinatorial functions are restricted in that one may not use both its storage element output Q and the input variable of the logic block pin "D" in the same function.

If used, the storage element in each Configurable Logic Block (Figure 6) can be programmed to be either an edge-sensitive "D" type flip-flop or a level-sensitive "D" latch. The clock or enable for each storage element can be selected from:

- The special-purpose clock input K
- The general-purpose input C
- The combinatorial function G

The user may also select the clock active sense within each logic block. This programmable inversion eliminates the need to route both phases of a clock signal throughout the device.

The storage element data input is supplied from the function F output of the combinatorial logic. Asynchronous SET and RESET controls are provided for each storage element. The user may enable these controls independently and select their source. They are active High inputs and the asynchronous reset is dominant. The



X3165

**Figure 5. CLB Combinatorial Logic Options**  
 Note: Variables D and Q can not be used in the same function.

storage elements are reset by the active-Low chip **RESET** pin as well as by the initialization phase preceding configuration. If the storage element is not used, it is disabled.

The two block outputs, X and Y, can be driven by either the combinatorial functions, F or G, or the storage element output Q (Figure 4). Selection of the outputs is completely interchangeable and may be made to optimize routing efficiencies of the networks interconnecting the logic blocks and I/O blocks.

### Programmable Interconnect

Programmable interconnection resources in the Logic Cell Array provide routing paths to connect inputs and outputs of the I/O and logic blocks into desired networks. All interconnections are composed of metal segments, with programmable switching points provided to implement the necessary routing. Three types of resources accommodate different types of networks.

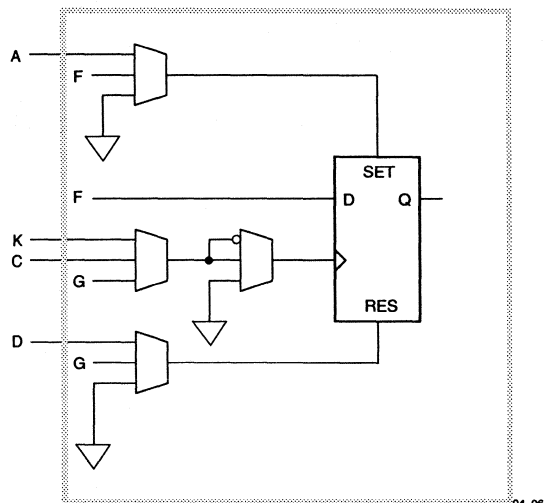
- General purpose interconnect
- Longlines
- Direct connection

### General-Purpose Interconnect

General-purpose interconnect, as shown in Figure 7a, is composed of four horizontal metal segments between the rows and five vertical metal segments between the columns of logic and I/O blocks. Each segment is only the height or width of a logic block. Where these segments would cross at the intersections of rows and columns,

switching matrices are provided to allow interconnections of metal segments from the adjoining rows and columns. Switches in the switch matrices and on block outputs are specially designed transistors, each controlled by a configuration bit.

Logic-block output switches provide contacts to adjacent general interconnect segments and therefore to the switching matrix at each end of those segments. A switch matrix



**Figure 6. CLB Storage Element**

can connect an interconnect segment to other segments to form a network. Figure 7a shows the general interconnect used to route a signal from one logic block to three other logic blocks. As shown, combinations of closed switches in a switch matrix allow multiple branches for each network. The inputs of the logic or I/O blocks are multiplexers that can be programmed with configuration bits to select an input network from the adjacent interconnect segments. Since the switch connections to block inputs are unidirectional (as are block outputs) they are usable *only* for input connection. The development system software provides automatic routing of these interconnections. Interactive routing is also available for design optimization. This is accomplished by selecting a network and then toggling the states of the interconnect points by selecting them with the "mouse". In this mode, the connections through the switch matrix may be established by selecting pairs of matrix pins. The switching matrix combinations are indicated in Figure 7b.

Special buffers within the interconnect area provide periodic signal isolation and restoration for higher general

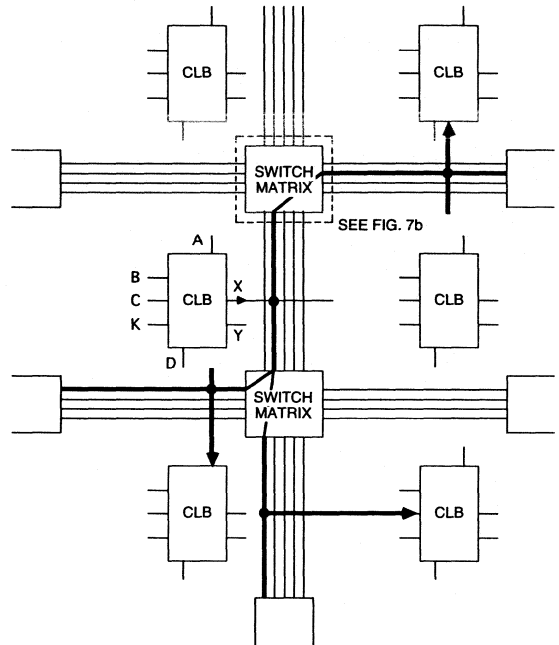


Figure 7a. General-Purpose Interconnect

1104 07

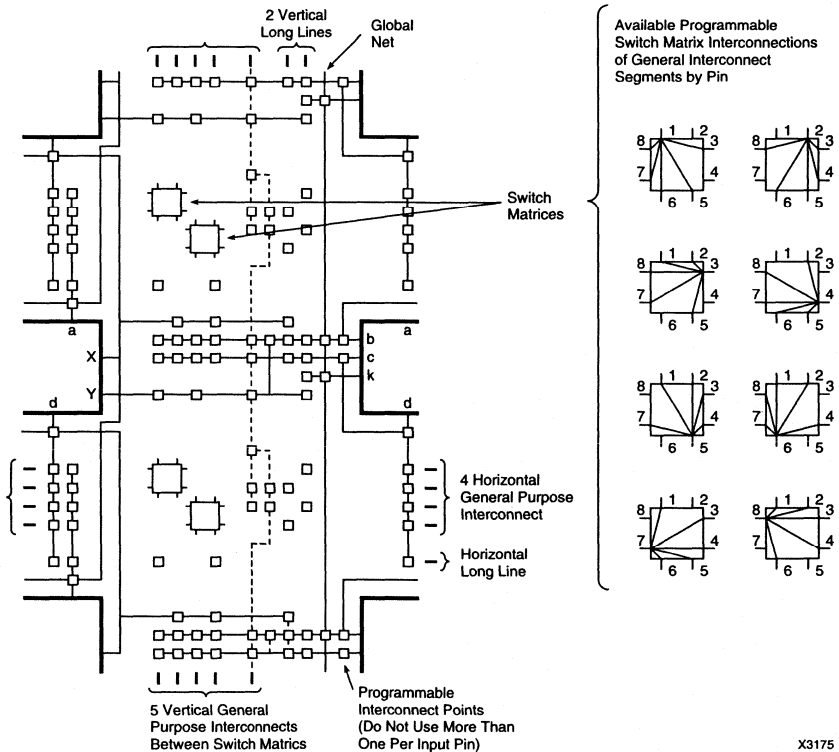


Figure 7b. Routing and Switch Matrix Connections

X3175

interconnect fan-out and better performance. The repowering buffers are bidirectional, since signals must be able to propagate in either direction on a general interconnect segment. Direction controls are automatically established by the Logic Cell Array development system software. Repowering buffers are provided only for the general-purpose interconnect since the direct and Longline resources do not exhibit the same R-C delay accumulation. The Logic Cell Array is divided into nine sections with buffers automatically provided for general interconnect at the boundaries of these sections. These boundaries can be viewed with the development system. For routing within a section, no buffers are used. The delay calculator of the XACT development system automatically calculates and displays the block, interconnect and buffer delays for any selected paths.

that must travel a long distance or must have minimum skew among multiple destinations.

A global buffer in the Logic Cell Array is available to drive a single signal to all B and K inputs of logic blocks. Using the global buffer for a clock provides a very low skew, high fan-out synchronized clock for use at any or all of the logic blocks. At each block, a configuration bit for the K input to the block can select this global line as the storage element clock signal. Alternatively, other clock sources can be used.

A second buffer below the bottom row of the array drives a horizontal Longline which, in turn, can drive a vertical Longline in each interconnection column. This alternate buffer also has low skew and high fan-out capability. The network formed by this alternate buffer's Longlines can be selected to drive the B, C or K inputs of the logic blocks.

Alternatively, these Longlines can be driven by a logic or I/O block on a column by column basis. This capability provides a common, low-skew clock or control line within each column of logic blocks. Interconnections of these Longlines are shown in Figure 8b.

### Longlines

Longlines, shown in Figure 8a, run both vertically and horizontally the height or width of the interconnect area. Each vertical interconnection column has two Longlines; each horizontal row has one, with an additional Longline adjacent to each set of I/O blocks. The Longlines bypass the switch matrices and are intended primarily for signals

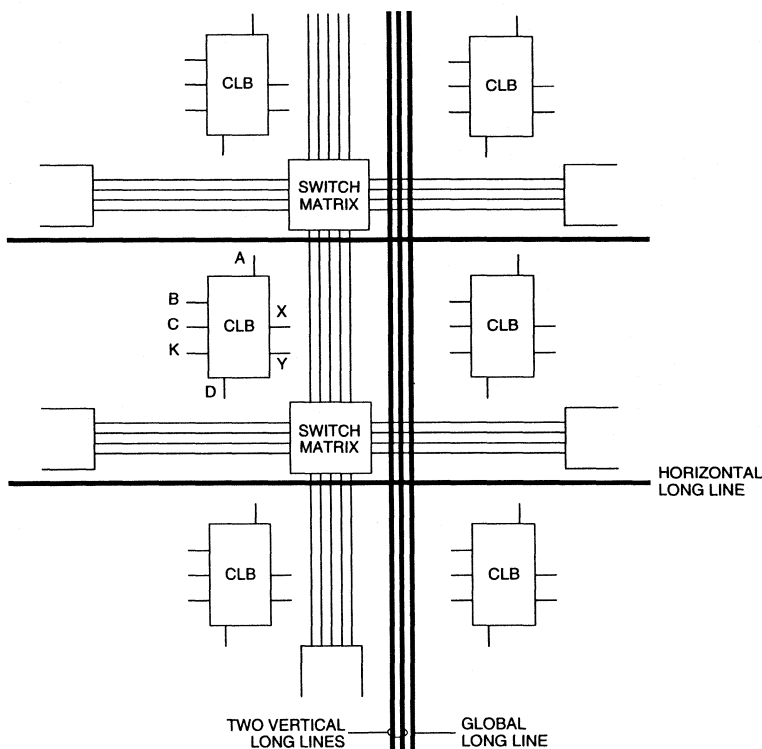


Figure 8a. Longline Interconnect

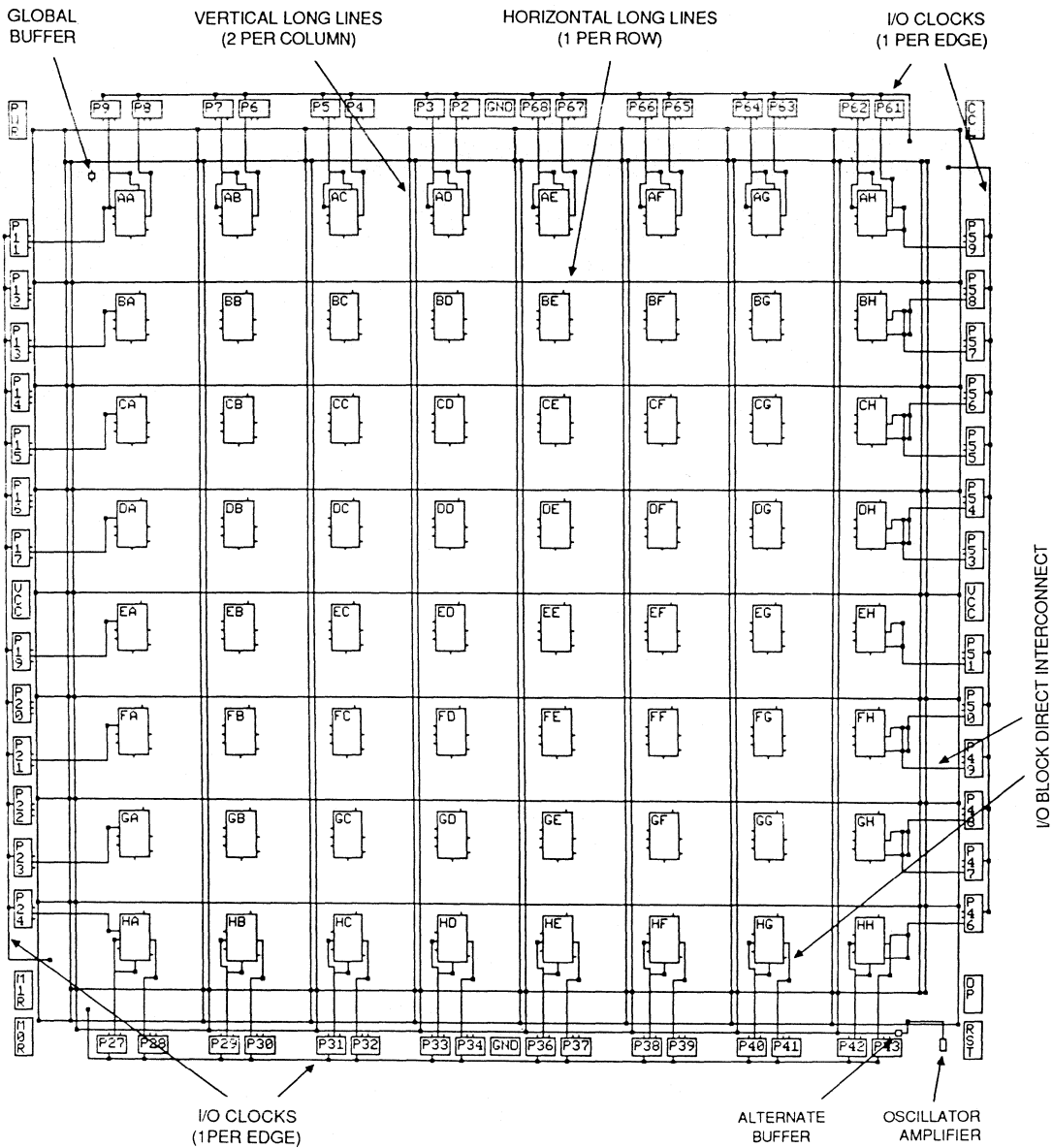


Figure 8b. XC2064 Longlines, I/O Clocks, I/O Direct Interconnect

X1205

## Direct Interconnect

Direct interconnect, shown in Figure 9, provides the most efficient implementation of networks between adjacent logic or I/O blocks. Signals routed from block to block by means of direct interconnect exhibit minimum interconnect propagation and use minimum interconnect resources. For each Configurable Logic Block, the X output may be connected directly to the C or D inputs of the CLB above and to the A or B inputs of the CLB below it. The Y output can use direct interconnect to drive the B input of the block immediately to its right. Where logic blocks are adjacent to I/O blocks, direct connect is provided to the I/O block input (I) on the left edge of the die, the output (O) on the right edge, or both on I/O blocks at the top and bottom of the die. Direct interconnections of I/O blocks with CLBs are shown in Figure 8b.

## Crystal Oscillator

Figure 8b also shows the location of an internal high speed inverting amplifier which may be used to implement an on-chip crystal oscillator. It is associated with the auxiliary crystal buffer in the lower right corner of the die. When the oscillator is configured by MAKEBITS and connected as a signal source, two special user IOBs are also configured to connect the oscillator amplifier with external crystal oscillator components as shown in Figure 10. A divide by two option is available to assure symmetry. The oscillator circuit becomes active in order to allow the oscillator to stabilize. Actual internal connection is delayed until completion of configuration. In Figure 10, the feedback resistor R1, between the output and input, biases the amplifier at threshold. The inversion of the amplifier, together with the R-C networks and an AT-cut series resonant crystal, produce the 360-degree phase shift of the Pierce oscillator. A series resistor R2 may be included to add to the amplifier input impedance when needed for phase-shift control, crystal resistance matching, or to limit the amplifier input swing to control clipping at large amplitudes. Excess feedback voltage may be corrected by the ratio of C2/C1. The amplifier is designed to be used from 1 MHz to about one-half the specified CLB toggle frequency. Use at frequencies below 1 MHz may require individual characterization with respect to a series resistance. Crystal oscillators above 20 MHz generally require a crystal which operates in a third overtone mode, where the fundamental frequency must be suppressed by an inductor across C2, turning this parallel resonant circuit to double the fundamental crystal frequency, i.e., 2/3 of the desired third harmonic frequency network. When the oscillator inverter is not used, these IOBs and their package pins are available for general user I/O.

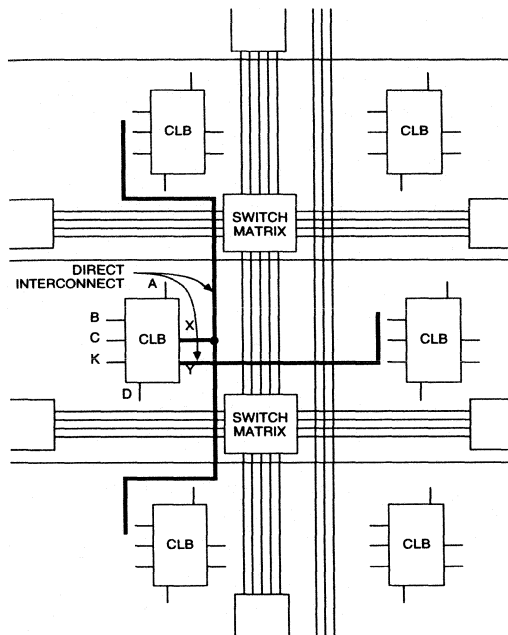
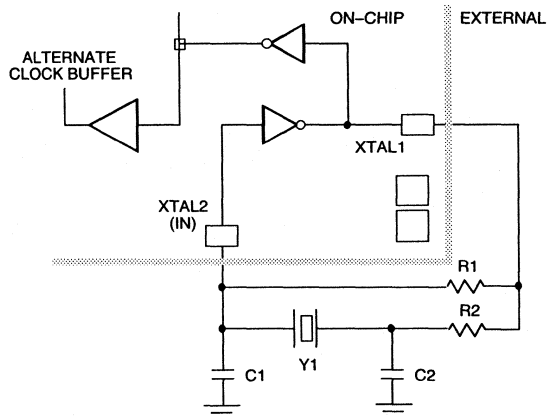


Figure 9. Direct Interconnect

1104 10



### SUGGESTED COMPONENT VALUES

- R1 0.5 – 1 M $\Omega$
- R2 0 – 1 K $\Omega$   
(may be required for low frequency, phase shift and/or compensation level for crystal Q)
- C1, C2 10 – 40 pF
- Y1 1 – 20 MHz AT cut series resonant

	XTAL1	XTAL2
48 DIP	33	30
68 PLCC	46	43
68 PGA	J10	L10
84 PLCC	56	53
84 PGA	K11	L11

Figure 10. Crystal Oscillator

1104 11

## Programming

Table 1. Configuration Mode Selection

M0	M1	M2	CCLK	Mode	Data
0	0	0	output	Master	Bit Serial
0	0	1	output	Master	Byte Wide Addr. = 0000 up
0	1	0	—	reserved	—
0	1	1	output	Master	Byte Wide Addr. = FFFF down
1	0	0	—	reserved	—
1	0	1	output	Peripheral	Byte Wide
1	1	0	—	reserved	—
1	1	1	input	Slave	Bit Serial

Configuration data to define the function and interconnection within a Logic Cell Array are loaded automatically at power-up or upon command. Several methods of automatically loading the required data are designed into the Logic Cell Array and are determined by logic levels applied to mode selection pins at configuration time. The form of the data may be either serial or parallel, depending on the configuration mode. The programming data are independent of the configuration mode selected. The state diagram of Figure 11 illustrates the configuration process. Input thresholds for user I/O pins can be selected to be either TTL-compatible or CMOS-compatible. At power-up, all inputs are TTL-compatible and remain in that state until the LCA begins operation. If the user has selected CMOS compatibility, the input thresholds are changed to CMOS levels during configuration.

Figure 12 shows the specific data arrangement for the XC2064 device. Future products will use the same data format to maintain compatibility between different devices of the Xilinx product line, but they will have different sizes and numbers of data frames. For the XC2064, configuration requires 12,038 bits for each device. For the XC2018, the configuration of each device requires 17,878 bits. The XC2064 uses 160 configuration data frames and the XC2018 uses 197.

The configuration bit stream begins with preamble bits, a preamble code and a length count. The length count is loaded into the control logic of the Logic Cell Array and is used to determine the completion of the configuration process. When configuration is initiated, a 24-bit length counter is set to 0 and begins to count the total number of configuration clock cycles applied to the device. When the current length count equals the loaded length count, the configuration process is complete. Two clocks before completion, the internal logic becomes active and is reset. On the next clock, the inputs and outputs become active as configured and consideration should be given to avoid configuration signal contention. (*Attention must be paid to avoid contention on pins which are used as inputs during configuration and become outputs in operation.*) On the last configuration clock, the completion of configuration is

signalled by the release of the DONE /  $\overline{\text{PROG}}$  pin of the device as the device begins operation. This open-drain output can be AND-tied with multiple Logic Cell Arrays and used as an active-High READY or active-Low, RESET, to other portions of the system. High during configuration (HDC) and low during configuration (LDC), are released one CCLK cycle before DONE is asserted. In master mode configurations, it is convenient to use  $\overline{\text{LDC}}$  as an active-Low EPROM chip enable.

As each data bit is supplied to the LCA, it is internally assembled into a data word. As each data word is completely assembled, it is loaded in parallel into one word of the internal configuration memory array. The last word must be loaded before the current length count compare is true. If the configuration data are in error, e.g., PROM address lines swapped, the LCA will not be ready at the length count and the counter will cycle through an additional complete count prior to configuration being "done".

Table 1 shows the selection of the configuration mode based on the state of the mode pins M0 and M1. These package pins are sampled prior to the start of the configuration process to determine the mode to be used. Once configuration is DONE and subsequent operation has begun, the mode pins may be used to perform data readback, as discussed later. An additional mode pin, M2, must be defined at the start of configuration. This package pin is a user-configurable I/O after configuration is complete.

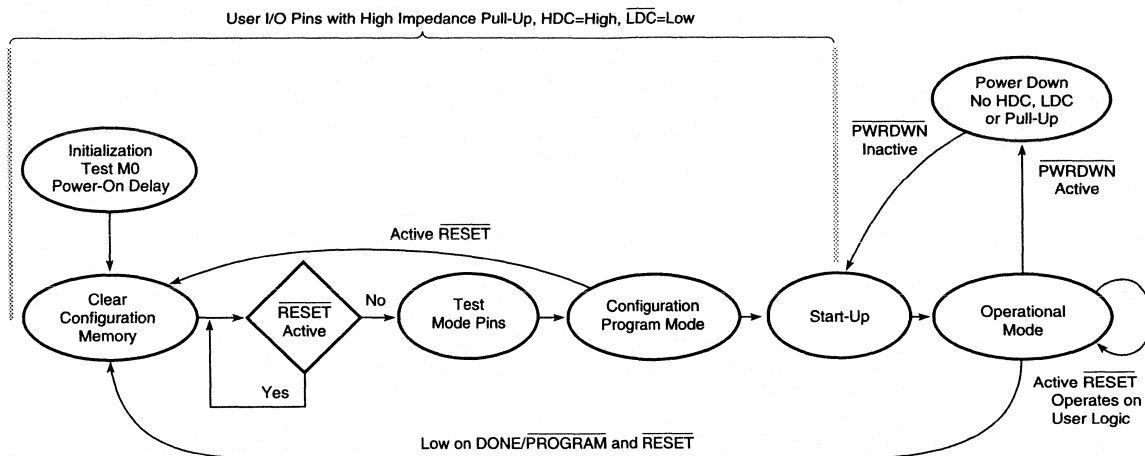
### Initialization Phase

When power is applied, an internal power-on-reset circuit is triggered. When  $V_{cc}$  reaches the voltage at which the LCA device begins to operate (nominally 2.5 to 3 V), the chip is initialized, outputs are made high-impedance and a time-out is initiated to allow time for power to stabilize. This time-out (11 to 33 ms) is determined by a counter driven by a self-generated, internal sampling clock that drives the configuration clock (CCLK) in master configuration mode. This internal sampling clock will vary with process, temperature and power supply over the range of 0.5 to 1.5 MHz. LCA devices with mode lines set for master mode will time-out of their initialization using a longer counter (43 to 130 ms) to assure that all devices, which it may be driving in a daisy chain, will be ready. Configuration using peripheral or slave modes must be delayed long enough for this initialization to be completed.

The initialization phase may be extended by asserting the active-Low external RESET. If a configuration has begun, an assertion of RESET will initiate an abort, including an orderly clearing of partially loaded configuration memory bits. After about three clock cycles for synchronization, initialization will require about 160 additional cycles of the internal sampling clock (197 for the XC2018) to clear the internal memory before another configuration may begin.



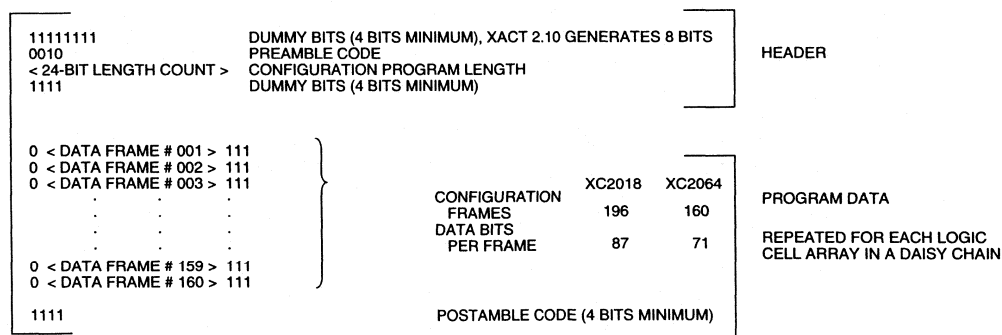
Power-On Delay is  
 $2^{14}$  Cycles for Non-Master Mode—11 to 33 ms  
 $2^{16}$  Cycles for Master Mode—43 to 130 ms



Clear Is  
 ~ 160 Cycles for the XC2064—100 to 320  $\mu$ s  
 ~ 200 Cycles for the XC2018—125 to 390  $\mu$ s

X3037

Figure 11. A State Diagram of the Configuration Process for Power-up and Reprogram



1104 15

START-UP REQUIRES THREE CONFIGURATION CLOCKS BEYOND LENGTH COUNT

Figure 12. XC2064 Internal Configuration Data Arrangement

Reprogramming is initialized by a High-to-Low transition on RESET (after RESET has been High for at least 6  $\mu$ s) followed by a Low level (for at least 6  $\mu$ s) on both the RESET and the open-drain DONE/PROG pins. This returns the LCA device to the CLEAR state, as shown in Figure 11.

### Master Mode

In Master mode, the Logic Cell Array automatically loads the configuration program from an external memory device. The Master Serial mode uses serial configuration data, synchronized by the rising edge of CCLK, as shown in Figure 13.

In Master Parallel mode (Figure 14), the Logic Cell Array provides 16 address outputs and the control signals RCLK (Read Clock), HDC (High during configuration) and LDC (Low during configuration) to execute Read cycles from the external memory. Parallel 8-bit data words are read and internally serialized. As each data word is read, the least significant bit of each byte, normally D0, is the next bit in the serial stream.

Addresses supplied by the Logic Cell Array can be selected by the mode lines to begin at address 0 and incremented to reach the memory (master Low mode), or they can begin at address FFFF Hex and be decremented

(master High mode). This capability is provided to allow the Logic Cell Array to share external memory with another device, such as a microprocessor. For example, if the processor begins its execution from Low memory, the Logic Cell Array can load itself from High memory and enable the processor to begin execution once configuration is completed. The Done/ $\overline{\text{PROG}}$  output pin can be used to hold the processor in a Reset state until the Logic Cell Array has completed the configuration process

### Peripheral Mode (Bit Serial)

Peripheral mode provides a simplified interface through which the device may be loaded as a processor peripheral. Figure 15 shows the peripheral mode connections. Processor Write cycles are decoded from the common assertion of the active-Low write strobe (IOWRT), and two active-Low and of the active-High chip selects (CS0 CS1 CS2). If all these signals are not available, the unused inputs should be driven to their respective active levels. The Logic Cell Array will accept one bit of the configuration program on the data input (DIN) pin for each processor Write cycle. Data is supplied in the serial sequence described earlier.

Since only a single bit from the processor data bus is loaded per cycle, the loading process involves the processor reading a byte or word of data, writing a bit of the data to the Logic cell Array, shifting the word and writing a bit until all bits of the word are written, then continuing in the same fashion with the next word, etc. After the configuration program has been loaded, an additional three clocks (a total of three more than the length count) must be supplied in order to complete the configuration process. When more than one device is being used in the system, each device can be assigned a different bit in the processor data bus, and multiple devices can be loaded on each processor write cycle. This broadside loading method provides a very easy and time-efficient method of loading several devices.

### Slave Mode

Slave mode, Figure 16, provides the simplest interface for loading the Logic Cell Array configuration. Data is supplied in conjunction with a synchronizing clock. For each Low-to-High input transition of configuration clock (CCLK), the data present on the data input (DIN) pin is loaded into the internal shift register. Data may be supplied by a processor or by other special circuits. Slave mode is used for downstream devices in a daisy-chain configuration. The data for each slave LCA device are supplied by the preceding LCA device in the chain, and the clock is supplied by the lead device, which is configured in master or peripheral mode. After the configuration program has been loaded, an additional three clocks (a total of three more than the length count) must be supplied in order to complete the configuration process.

### Daisy Chain

The daisy-chain programming mode is supported by Logic Cell Arrays in all programming modes. In master mode and peripheral modes, the LCA device can act as a source of data and control for slave devices. For example, Figure 14 shows a single device in master mode, with two devices in slave mode. The master-mode device reads the external memory and begins the configuration loading process for all of the devices.

The data begins with a preamble and a length count which are supplied to all devices at the beginning of the configuration. The length count represents the total number of cycles required to load all of the devices in the daisy chain. After loading the length count, the lead device will load its configuration data while providing a High DOUT to downstream devices. When the lead device has been loaded and the current length count has not reached the full value, memory access continues. Data bytes are read and serialized by the lead device. The data is passed through the lead device and appears on the data out (DOUT) pin in serial form. The lead device also generates the configuration clock (CCLK) to synchronize the serial output data. A master-mode device generates an internal CCLK of eight times the EPROM address rate, while a peripheral mode device produces CCLK from the chip select and write strobe timing.

### Operation

When all of the devices have been loaded and the length count is complete, a synchronous start-up of operation is performed. On the clock cycle following the end of loading, the internal logic begins functioning in the reset state. On the next CCLK, the configured output buffers become active to allow signals to stabilize. The next CCLK cycle produces the DONE condition. The length count control of operation allows a system of multiple Logic Cell Arrays to begin operation in a synchronized fashion. If the crystal oscillator is used, it will begin operation before configuration is complete to allow time for stabilization before it is connected to the internal circuitry.

### Reprogram

The Logic Cell Array configuration memory may be rewritten while the device is operating in the user's system. The LCA device returns to the Clear state where the configuration memory is cleared, I/O pins disabled, and mode lines re-sampled. Reprogram control is often implemented using an external open collector driver which pulls DONE/ $\overline{\text{PROG}}$  LOW. Once it recognizes a stable request, the Logic Cell Array holds DONE/ $\overline{\text{PROG}}$  LOW until the new configuration has been completed. Even if the DONE/ $\overline{\text{PROG}}$  pin is externally held LOW beyond the configuration period, the Logic Cell Array begins operation upon completion of configuration. To reduce sensitivity to noise, these re-program signals are filtered for 2–3 cycles of the

LCA internal timing generator (2 to 6  $\mu$ s). Note that the Clear time-out for a master-mode reprogram or abort does not have the 4 times delay of the Initialization state. If a daisy chain is used, an external RESET is required, long enough to guarantee clearing all non-master mode devices. For XC2000-series LCA devices, this is accomplished with an external time delay.

In some applications the system power supply might have momentary failures which can leave the LCA control logic in an invalid state. There are two methods to recover from this state. The first is to cycle the  $V_{CC}$  supply to less than 0.1 V and re-apply valid  $V_{CC}$ . The second is to provide the LCA device with simultaneous Low levels of at least 6  $\mu$ s on RESET and DONE/PROG pins after the RESET pin has been High following a return to valid  $V_{CC}$ . This guarantees that the LCA device will return to the Clear state. Either of these methods may be needed in the event of an incomplete voltage interruption. They are not needed for a normal application of power from an off condition.

### Battery Backup

Because the control store of the Logic Cell Array is a CMOS static memory, its cells require only a very low standby current for data retention. In some systems, this low data-retention current characteristic facilitates preserving configurations in the event of a primary power loss. The Logic Cell Array has built in power-down logic which, when activated, clears all internal flip-flops and latches, but retains the configuration. All outputs are placed in the high-impedance state, and all input levels are ignored. The internal logic considers all inputs to be ones (High). Configuration is not possible during power down.

Power-down data retention is possible with a simple battery-backup circuit because the power requirement is extremely low. For retention at 2.0 V, the required current is typically on the order of 500 nA. Screening to this parameter is available. To force the Logic Cell Array into the power-down state, the user must pull the PWRDWN pin Low and continue to supply a retention voltage to the  $V_{CC}$  pins of the package. When normal power is restored,  $V_{CC}$  is elevated to its normal operating voltage and PWRDWN is returned to a High. The Logic Cell Array resumes operation with the same internal sequence that occurs at the conclusion of configuration. Internal I/O and logic block storage elements will be reset, the outputs will become enabled and then the DONE/PROG pin will be released. No configuration programming is involved.

### Special Configuration Functions

In addition to the normal user logic functions and interconnect, the configuration data include control for several special functions:

- Input thresholds
- Readback disable
- DONE pull-up resistor

Each of these functions is controlled by a portion of the configuration program generated by the XACT Development System.

### Input Thresholds

During configuration, all input thresholds are TTL level. After configuration, input thresholds are established as specified, either TTL or CMOS. The PWRDWN input threshold is an exception; it is always a CMOS level input. The TTL threshold option requires additional power for threshold shifting.

### Readback

After a Logic Cell Array has been programmed, the configuration program may be read back from the device. Readback may be used for verification of configuration, and as a method of determining the state of internal logic nodes during debugging. Three Readback options are provided: on command, only once, and never.

An initiation of Readback is produced by a Low-to-High transition of the M0 / RTRIG (Read Trigger) pin. The CCLK input must then be driven by external logic to read back the configuration data. The first three Low-to-High CCLK transitions clock out dummy data. The subsequent Low-to-High CCLK transitions shift the data frame information out on the M1/RDATA (Read Data) pin. Note that the logic polarity is always inverted, a zero in Configuration becomes a one in Readback, and vice versa. Note also that each Readback frame has one Start bit (read back as a one) but, unlike in Configuration, each Readback frame has only one Stop bit (read back as a zero). The third leading dummy bit mentioned above can be considered the Start bit of the first frame.

All data frames must be read back to complete the process and return the Mode Select and CCLK pins to their normal functions. Readback data includes the state of all internal storage elements. This information is used by the XACT development system In-Circuit Debugger to provide visibility into the internal operation of the logic while the system is operating. To read back a uniform time sample of all storage elements, it may be necessary to inhibit the system clock.

### DONE Pull-up

The DONE / PROG pin is an open drain I/O that indicates programming status. As an input, it initiates a reprogram operation. An optional internal pull-up resistor may be enabled.

The following seven pages describe the four configuration modes in detail.

Master Serial Mode

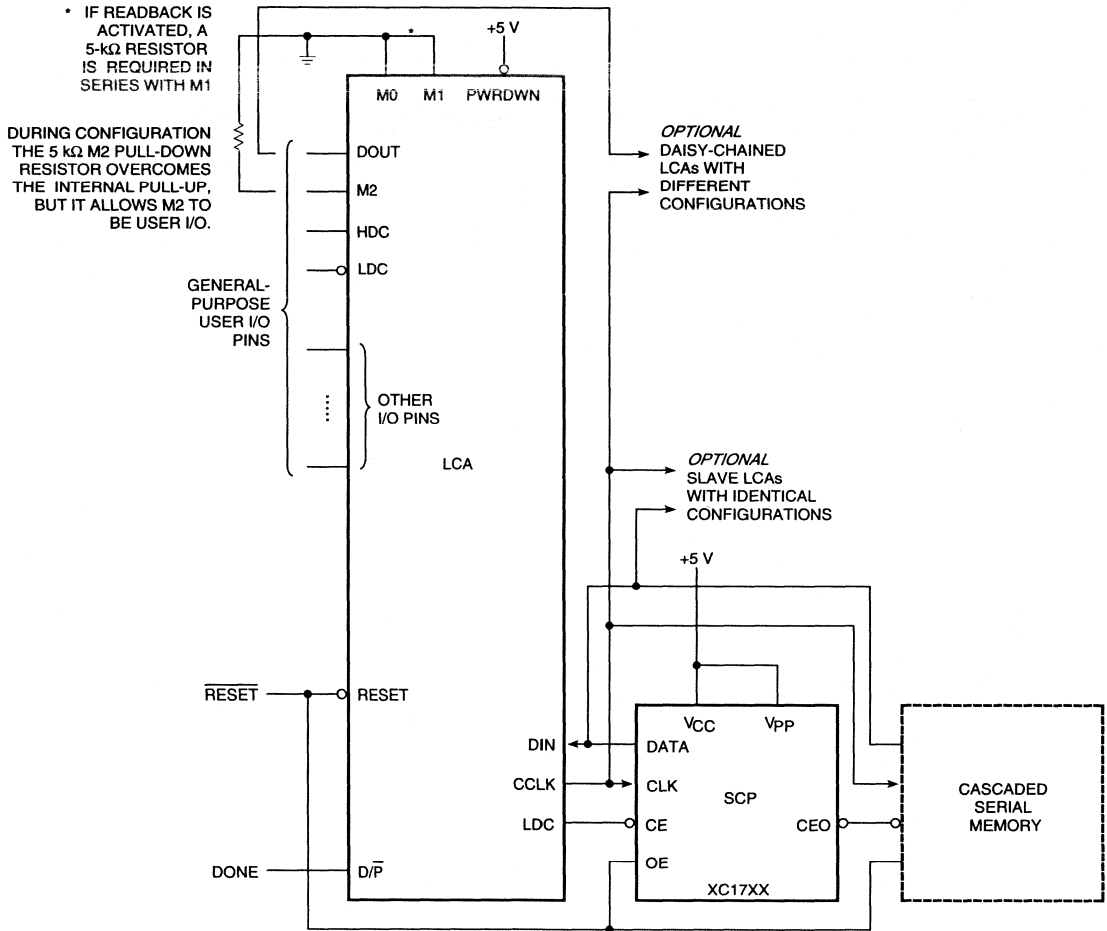


Figure 13. Master Serial Mode

X3033

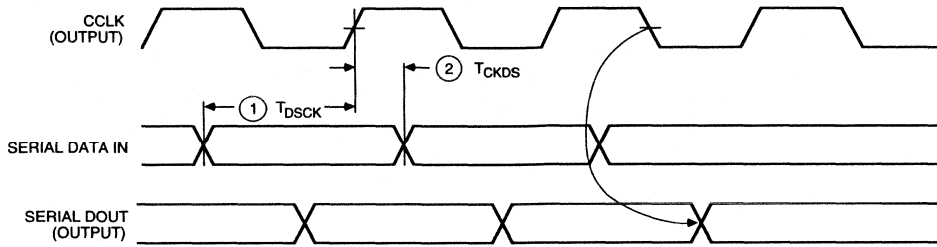
In Master Serial mode, the CCLK output of the lead LCA device drives a Xilinx Serial PROM that feeds the LCA DIN input. Each rising edge of the CCLK output increments the Serial PROM internal address counter. This puts the next data bit on the SPROM data output, connected to the LCA DIN pin. The lead LCA device accepts this data on the subsequent rising CCLK edge.

The lead LCA device then presents the preamble data (and all data that overflows the lead device) on its DOUT pin.

There is an internal delay of 1.5 CCLK periods, which means that DOUT changes on the falling CCLK edge, and the next LCA device in the daisy-chain accepts data on the subsequent rising CCLK edge.

The SPROM CE input can be driven from either  $\overline{LDC}$  or DONE. Using  $\overline{LDC}$  avoids potential contention on the DIN pin, if this pin is configured as user-I/O, but  $\overline{LDC}$  is then restricted to be a permanently High user output. Using DONE also avoids contention on DIN, provided the “early DONE” option is invoked

## Master Serial Mode Programming Switching Characteristics



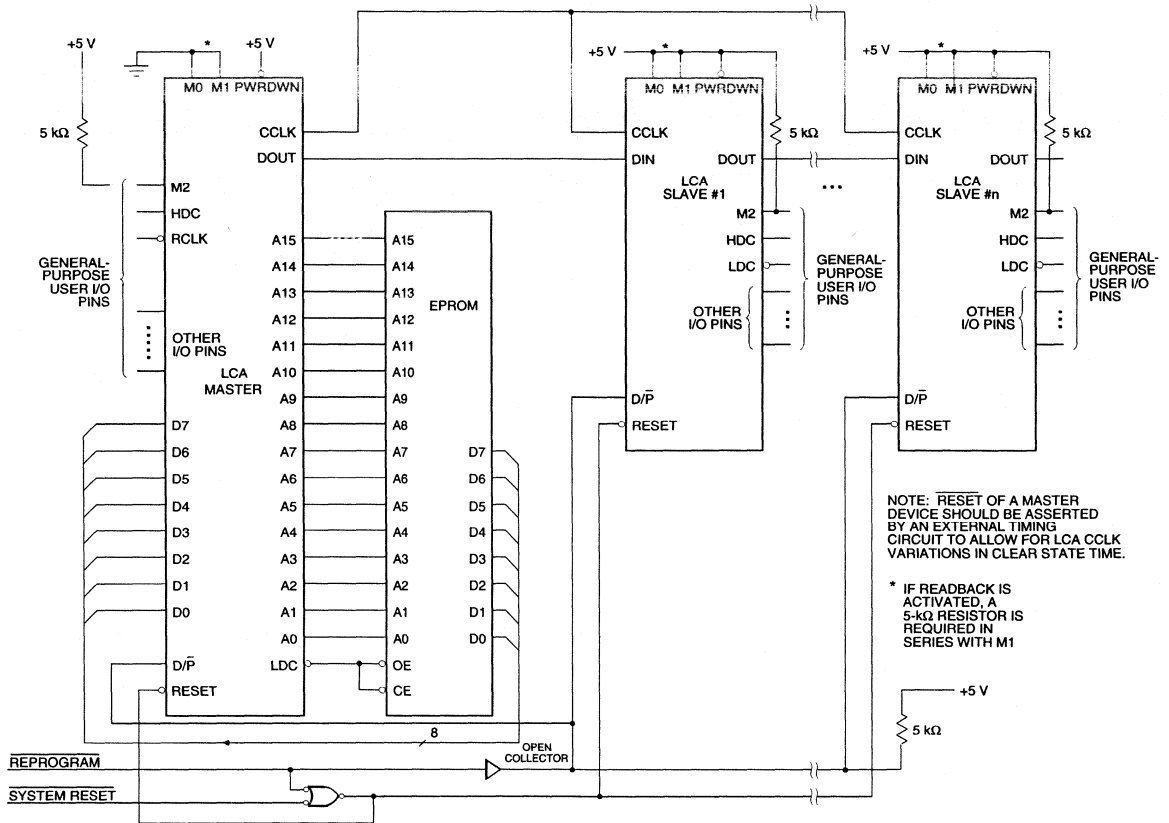
1105 29

Speed Grade			-50		-70		-100		Units
	Description	Symbol	Min	Max	Min	Max	Min	Max	
CCLK <sup>2</sup>	Data In setup	1	60		60		60		ns
	Data In hold	2	0		0		0		ns

Notes: 1. At power-up,  $V_{CC}$  must rise from 2.0 V to  $V_{CC}$  min in less than 25 ms. If this is not possible, configuration can be delayed by holding RESET Low until  $V_{CC}$  has reached 4.0 V (2.5 V for XC2000L). A very long  $V_{CC}$  rise time of >100 ms, or a non-monotonically rising  $V_{CC}$  may require a >1- $\mu$ s High level on RESET, followed by a >6- $\mu$ s Low level on RESET and D/P after  $V_{CC}$  has reached 4.0 V (2.5 V for XC2000L).

2. Master-serial-mode timing is based on slave-mode testing.

Master Parallel Mode



1104 20A

**Figure 14. Master Parallel Mode Configuration with Daisy Chained Slave Mode Devices.** All are configured from the common EPROM source. A well defined termination of SYSTEM RESET is needed when controlling multiple LCA devices.

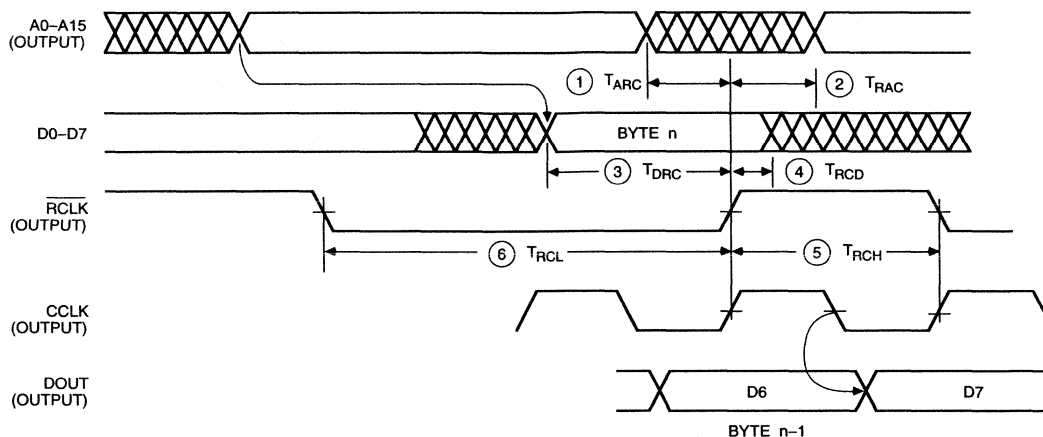
In Master Parallel mode, the lead LCA device directly addresses an industry-standard byte-wide EPROM and accepts eight data bits right before incrementing (or decrementing) the address outputs.

The eight data bits are serialized in the lead LCA device, which then presents the preamble data (and all data that overflows the lead device) on the DOUT pin. There is an internal delay of 1.5 CCLK periods, after the rising CCLK edge that accepts a byte of data, and also changes the

EPROM address, until the falling CCLK edge that makes the LSB (D0) of this byte appear at DOUT. This means that DOUT changes on the falling CCLK edge, and the next LCA device in the daisy-chain accepts data on the subsequent rising CCLK edge.

Any XC3000 slave driven by an XC2000 master mode device must use early DONE and early internal reset. (The XC2000 master will not supply the extra clock required by a late programmed XC3000.)

## Master Parallel Mode Programming Switching Characteristics



1104 33

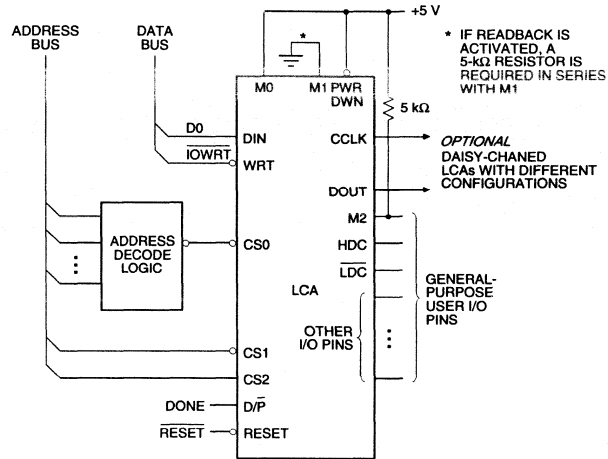
	Description	Symbol	Min	Max	Units
RCLK	From address invalid	1 $T_{ARC}$		0	ns
	To address valid	2 $T_{RAC}$		200	ns
	To data setup	3 $T_{DRC}$	60		ns
	To data hold	4 $T_{RCD}$	0		ns
	RCLK high	5 $T_{RCH}$	600		ns
	RCLK low	6 $T_{RCL}$	4.0		$\mu$ s

Note: 1. CCLK and DOUT timing are the same as for slave mode.

2. At power-up,  $V_{CC}$  must rise from 2.0 V to  $V_{CC}$  min in less than 25 ms. If this is not possible, configuration can be delayed by holding RESET Low until  $V_{CC}$  has reached 4.0 V (2.5 V for XC2000L). A very long  $V_{CC}$  rise time of >100 ms, or a non-monotonically rising  $V_{CC}$  may require a >1- $\mu$ s High level on RESET, followed by a >6- $\mu$ s Low level on RESET and D/P after  $V_{CC}$  has reached 4.0 V (2.5 V for XC2000L).

*This timing diagram shows that the EPROM requirements are extremely relaxed: EPROM access time can be longer than 4000 ns, EPROM data output has no hold time requirement*

## Peripheral Mode



1104 18A

**Figure 15. Peripheral Mode.** Configuration data is loaded using serialized data from a microprocessor.

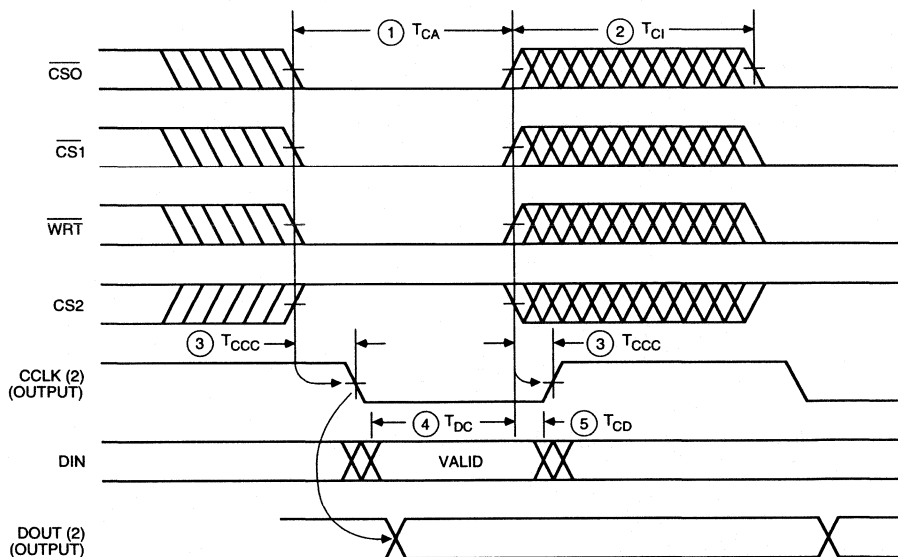
Peripheral mode uses the trailing edge of the logic AND condition of the  $\overline{CS0}$ ,  $\overline{CS1}$ ,  $\overline{CS2}$ , and  $\overline{WRT}$  inputs to accept byte-wide data from a microprocessor bus. In the lead LCA device, this data is loaded into a double-buffered UART-like parallel-to-serial converter and is serially shifted into the internal logic. The lead LCA device presents the preamble data (and all data that overflows the lead device) on the DOUT pin.

The Ready/Busy output from the lead LCA device acts as a handshake signal to the microprocessor. RDY/BUSY

goes Low when a byte has been received, and goes High again when the byte-wide input buffer has transferred its information into the shift register, and the buffer is ready to receive new data. The length of the  $\overline{BUSY}$  signal depends on the activity in the UART. If the shift register had been empty when the new byte was received, the  $\overline{BUSY}$  signal lasts for only two CCLK periods. If the shift register was still full when the new byte was received, the  $\overline{BUSY}$  signal can be as long as nine CCLK periods.



## Peripheral Mode Programming Switching Characteristics

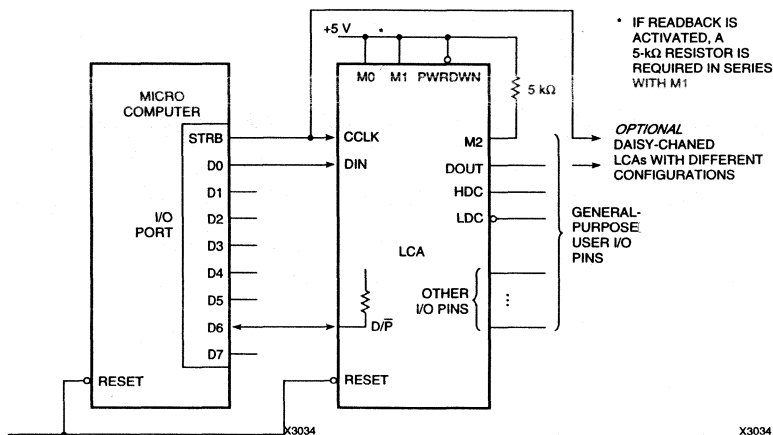


1104 34

	Description	Symbol	Min	Max	Units
Controls <sup>1</sup> (CS0, CS1, CS2, WRT)	Active (last active input to first inactive)	1 $T_{CA}$	0.25	5.0	$\mu$ s
	Inactive (first inactive input to last active)	2 $T_{CI}$	0.25		$\mu$ s
	CCLK <sup>2</sup>	3 $T_{CCC}$		75	ns
	DIN setup	4 $T_{DC}$	50		ns
	DIN hold	5 $T_{CD}$	0		ns

- Notes:
- Peripheral mode timing determined from last control signal of the logical AND of (CS0, CS1, CS2, WRT) to transition to active or inactive state.
  - CCLK and DOUT timing are the same as for slave mode.
  - At power-up,  $V_{CC}$  must rise from 2.0 V to  $V_{CC}$  min in less than 25 ms. If this is not possible, configuration can be delayed by holding RESET Low until  $V_{CC}$  has reached 4.0 V (2.5 V for XC2000L). A very long  $V_{CC}$  rise time of >100 ms, or a non-monotonically rising  $V_{CC}$  may require a >1- $\mu$ s High level on RESET, followed by a >6- $\mu$ s Low level on RESET and D/P after  $V_{CC}$  has reached 4.0 V (2.5 V for XC2000L).

Slave Serial Mode

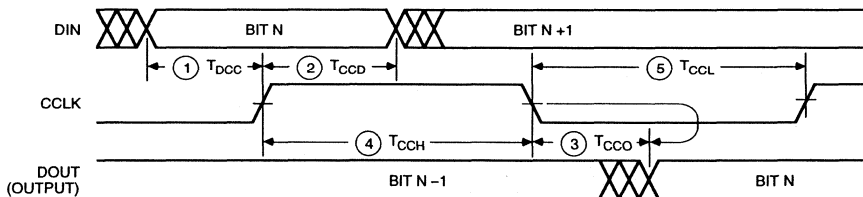


**Figure 16. Slave Serial Mode.** Bit-serial configuration data are read at rising edge of the CCLK. Data on DOUT are provided on the falling edge of CCLK. Identically configured non-master mode LCAs can be configured in parallel by connecting DINs and CCLKs.

In Slave Serial mode, an external signal drives the CCLK input(s) of the LCA device(s). The serial configuration bitstream must be available at the DIN input of the lead LCA device a short set-up time before each rising CCLK edge. The lead LCA device then presents the preamble data (and all data that overflows the lead device) on its DOUT pin.

There is an internal delay of 1.5 CCLK periods, which means that DOUT changes on the falling CCLK edge, and the next LCA device in the daisy-chain accepts data on the subsequent rising CCLK edge.

Slave Serial Mode Programming Switching Characteristics

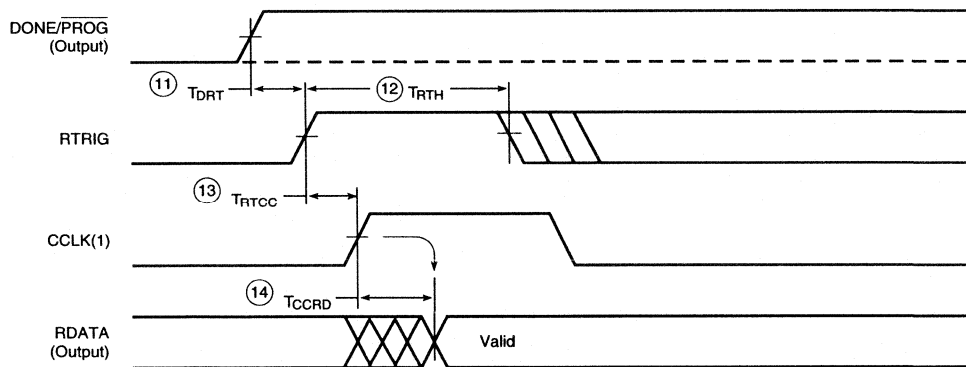


1104 35

Description		Symbol	Min	Max	Unit
CCLK	To DOUT	1	$T_{CCO}$	65	ns
	DIN setup	2	$T_{DCC}$	10	ns
	DIN hold	3	$T_{CCD}$	40	ns
	High time	4	$T_{CCH}$	0.25	$\mu$ s
	Low time	5	$T_{CCL}$	0.25	5.0
	Frequency	$F_{CC}$		2	MHz

Note: At power-up,  $V_{CC}$  must rise from 2.0 V to  $V_{CC}$  min in less than 25 ms. If this is not possible, configuration can be delayed by holding RESET Low until  $V_{CC}$  has reached (2.5 V for the XC2000L). A very long  $V_{CC}$  rise time of >100 ms, or a non-monotonically rising  $V_{CC}$  may require a >1- $\mu$ s High level on RESET, followed by a >6- $\mu$ s Low level on RESET and D/P after  $V_{CC}$  has reached (2.5 V for the XC2000L).

## Program Readback Switching Characteristics

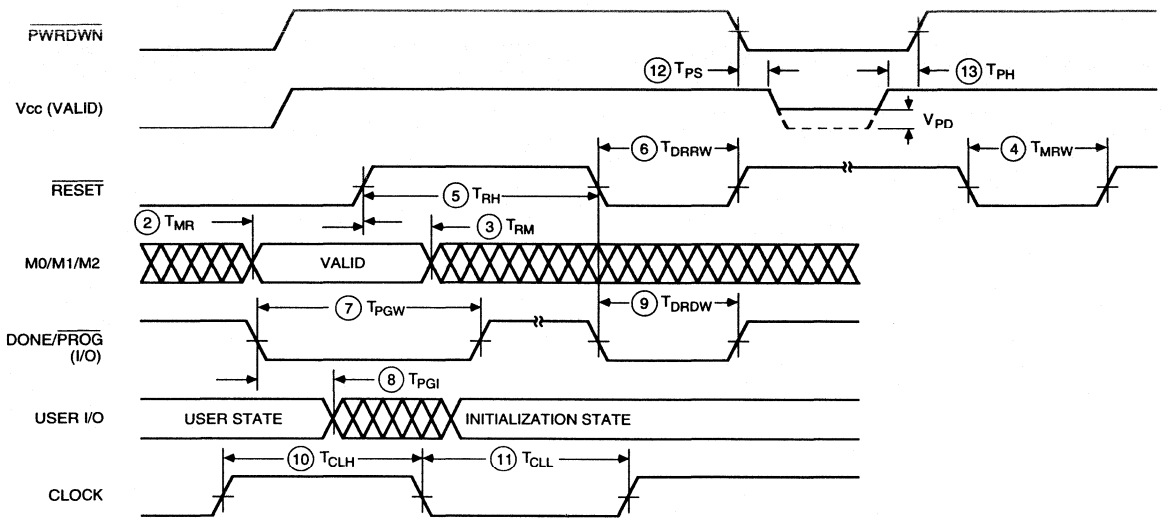


X3168

Description		Symbol		Min	Max	Units
RTRIG	PROG setup	11	$T_{DRT}$	300		ns
	RTRIG high	12	$T_{RTH}$	250		ns
CCLK	RTRIG setup	13	$T_{RTCC}$	100		ns
	RDATA delay	14	$T_{CCRD}$		100	ns

- Notes:
1. CCLK and DOUT timing are the same as for slave mode.
  2.  $\overline{DONE/PROG}$  output/input must be HIGH (device programmed) prior to a positive transition of RTRIG (M0).
  3. Readback is not supported for the XC2000L.

General LCA Switching Characteristics



Description		Symbol	Min	Max	Units
RESET <sup>2</sup>	M2, M1, M0 setup	2 T <sub>MR</sub>	60		ns
	M2, M1, M0 hold	3 T <sub>RM</sub>	60		ns
	Width—FF Reset	4 T <sub>MRW</sub>	150		ns
	High before RESET <sup>4</sup>	5 T <sub>RH</sub>	6		μs
	Device Reset <sup>4</sup>	6 T <sub>DRRW</sub>	6		μs
DONE/PROG	Progam width (Low)	7 T <sub>PGW</sub>	6		μs
	Initialization	8 T <sub>PGL</sub>		7	μs
	Device Reset <sup>4</sup>	9 T <sub>DRDW</sub>	6		μs
CLOCK	Clock (High)	10 T <sub>CLH</sub>	8		ns
	Clock (Low)	11 T <sub>CLL</sub>	8		ns

Notes: 1. At power-up, V<sub>CC</sub> must rise from 2.0 V to V<sub>CC</sub> min in less than 25 ms. If this is not possible, configuration can be delayed by holding RESET Low until V<sub>CC</sub> has reached (2.5 V for the XC2000L). A very long V<sub>CC</sub> rise time of >100 ms, or a non-monotonically rising V<sub>CC</sub> may require a >1-μs High level on RESET, followed by a >6-μs Low level on RESET and D/P after V<sub>CC</sub> has reached (2.5 V for the XC2000L).

- RESET timing relative to power-on and valid mode lines (M0, M1, M2) is relevant only when RESET is used to delay configuration.
- Minimum CLOCK widths for the auxillary buffer are 1.25 times the T<sub>CLH</sub>, T<sub>CLL</sub>.
- After RESET is High, RESET = D/P = Low for 6 μs will abort to CLEAR.

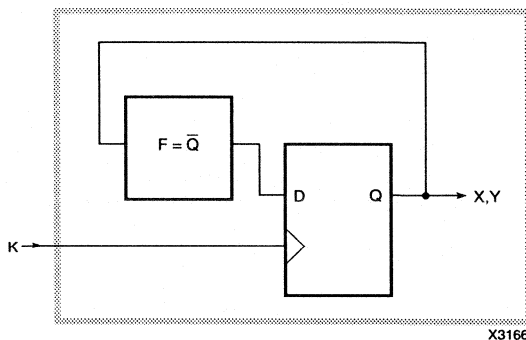
## Performance

The high performance of the Logic Cell Array results from its patented architectural features and from the use of an advanced high-speed CMOS manufacturing process. Performance may be measured in terms of minimum propagation times for logic elements.

Flip-flop loop delays for the I/O block and logic block flip-flops are about 3 ns. This short delay provides very good performance under asynchronous clock and data conditions. Short loop delays minimize the probability of a metastable condition which can result from assertion of the clock during data transitions. Because of the short loop delay characteristic in the LCA device, the I/O block flip-flops can be used very effectively to synchronize external signals applied to the device. Once synchronized in the I/O block, the signals can be used internally without further consideration of their clock relative timing, except as it applies to the internal logic and routing path delays.

### Device Performance

The single parameter which most accurately describes the overall performance of the Logic Cell Array is the maximum toggle rate for a logic block storage element configured as a toggle flip-flop. The configuration for determining the toggle performance of the Logic Cell Array is shown in Figure 17. The clock for the storage element is provided by the global clock buffer and the flip-flop output Q is fed back through the combinatorial logic to form the data input for the next clock edge. Using this arrangement, flip-flops in the Logic Cell Array can be toggled at clock rates from 33–100 MHz, depending on the speed grade used.

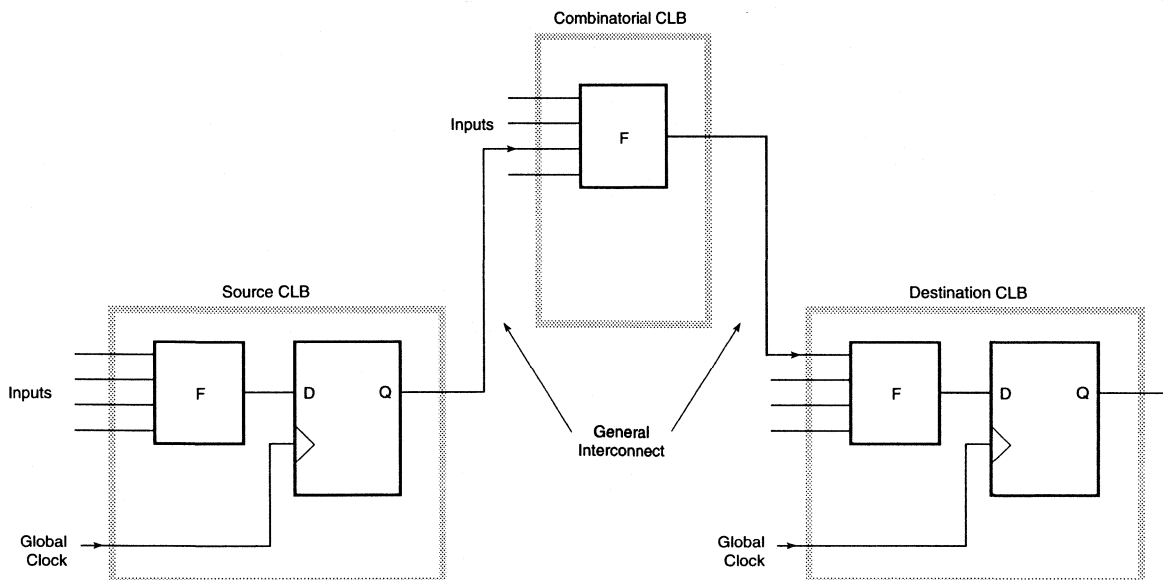


**Figure 17. Logic Block Configuration for Toggle Rate Measurement**

Actual Logic Cell Array performance is determined by the critical path speed, including both the speed of the logic and storage elements in that path, and the speed of the particular network routing. Figure 18 shows a typical system logic configuration of two flip-flops with an extra combinatorial level between them. To allow the user to make the best use of the capabilities of the device, the delay calculator in the XACT Development System determines worst-case path delays using actual impedance and loading information.

### Logic Block Performance

Logic block propagation times are measured from the interconnect point at the input of the combinatorial logic to the output of the block in the interconnect area. Combinatorial performance is independent of logic function



**Figure 18. Typical Logic Path**

because of the table look-up based implementation. Timing is different when the combinatorial logic is used in conjunction with the storage element. For the combinatorial logic function driving the data input of the storage element, the critical timing is data set-up relative to the clock edge provided to the storage element. The delay from the clock source to the output of the logic block is critical in the timing of signals produced by storage elements. The loading on a logic block output is limited only by the additional propagation delay of the interconnect network. Performance of the logic block is a function of supply voltage and temperature, as shown in Figure 19 .

**Interconnect Performance**

Interconnect performance depends on the routing resource used to implement the signal path. As discussed earlier, direct interconnect from block to block provides a minimum delay path for a signal.

The single metal segment used for Longlines exhibits low resistance from end to end, but relatively high capacitance. Signals driven through a programmable switch will have the additional impedance of the switch added to their normal drive impedance.

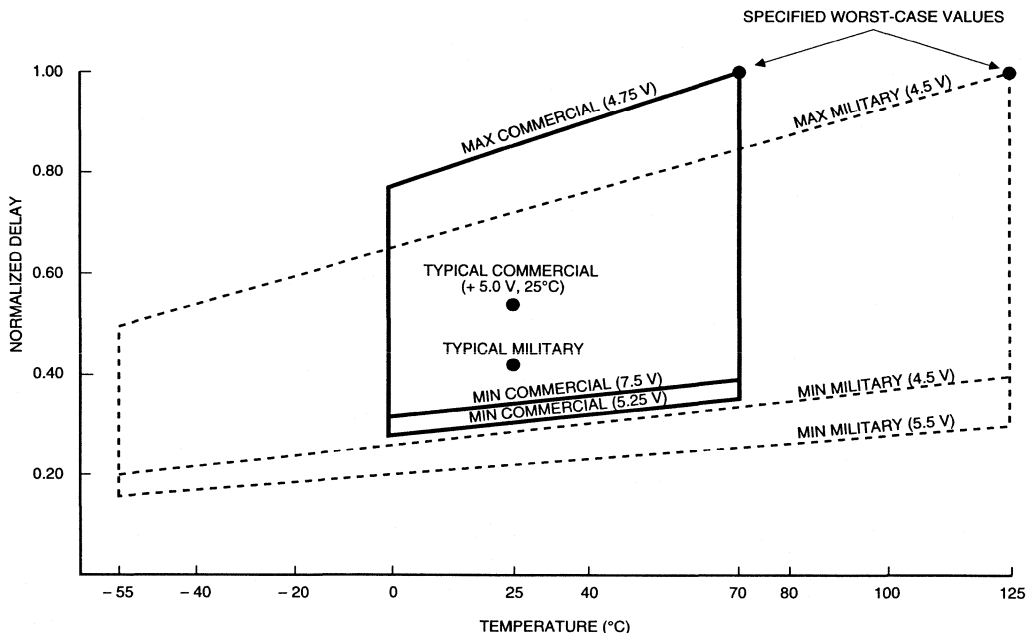
General-purpose interconnect performance depends on the number of switches and segments used, the presence of the bidirectional repowering buffers and the overall

loading on the signal path at all points along the path. In calculating the worst-case delay for a general interconnect path, the delay calculator portion of the XACT development system accounts for all of these elements. As an approximation, interconnect delay is proportional to the summation of totals of local metal segments beyond each programmable switch. In effect, the delay is a sum of R-C delays each approximated by an R times the total C it drives. The R of the switch and the C of the interconnect are functions of the particular device performance grade. For a string of three local interconnects, the approximate delay at the first segment, after the first switch resistance, would be three units; an additional two delay units after the next switch plus an additional delay after the last switch in the chain. The interconnect R-C chain terminates at each repowering buffer. Nearly all of the capacitance is in the interconnect metal and switches; the capacitance of the block inputs is not significant.

**Power**

**Power Distribution**

Power for the LCA is distributed through a grid to achieve high noise immunity and isolation between logic and I/O. For packages having more than 48 pins, two V<sub>CC</sub> pins and two ground pins are provided (see Figure 20). Inside the LCA device, a dedicated V<sub>CC</sub> and ground ring surrounding the logic array provides power to the I/O drivers. An



X1045

Figure 19. Relative Delay as a Function of Temperature, Supply Voltage and Processing Variations

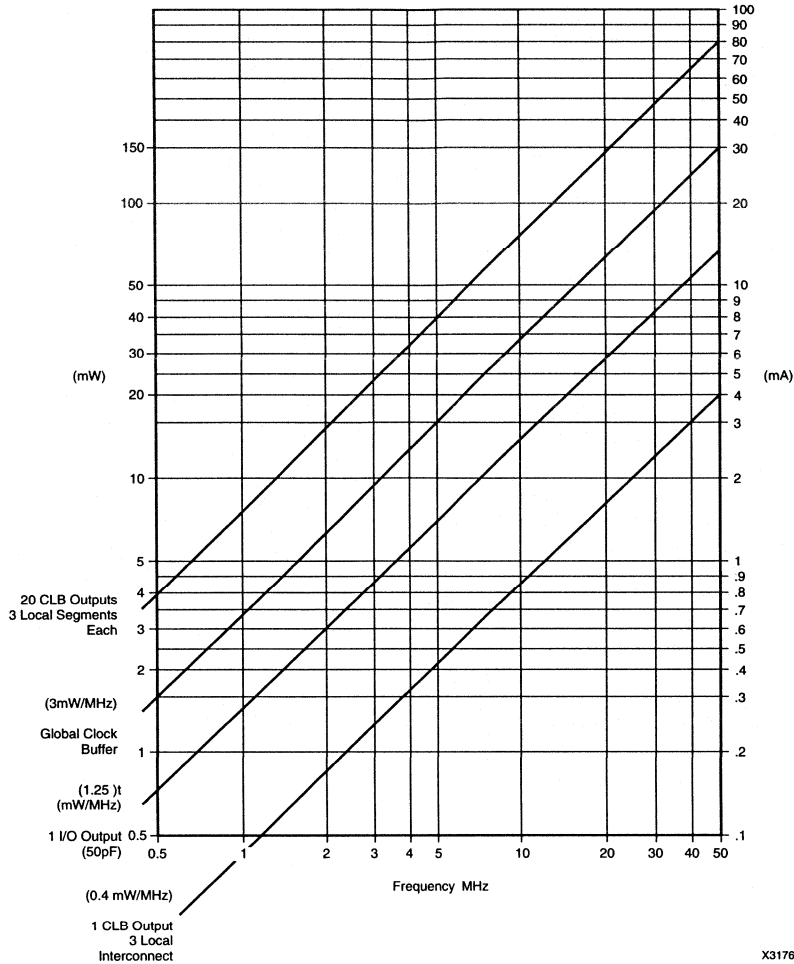


Figure 20. Typical LCA Power Consumption by Element

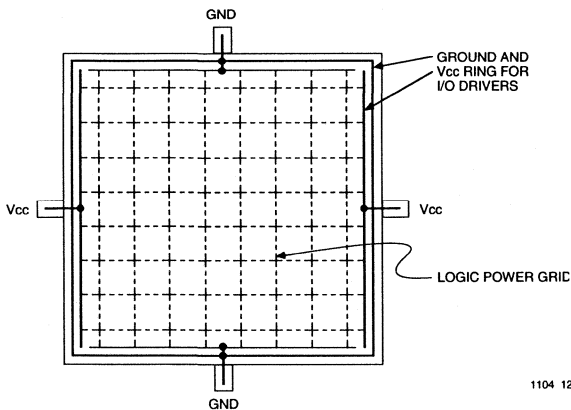


Figure 21. LCA Power Distribution

independent matrix of  $V_{CC}$  and ground lines supplies the interior logic of the device. This power distribution grid provides a stable supply and ground for all internal logic, providing the external package power pins are appropriately decoupled. Typically a  $0.1 \mu\text{F}$  capacitor connected between the  $V_{CC}$  and ground pins near the package will provide adequate decoupling.

Output buffers capable of driving the specified 4 mA loads under worst-case conditions may be capable of driving 25 to 30 times that current in a best case. Noise can be reduced by minimizing external load capacitance and reducing simultaneous output transitions in the same direction. It may also be beneficial to locate heavily loaded output buffers near the ground pads. Multiple  $V_{CC}$  and ground pin connections are required for package types which provide them.

1104 12

### Power Consumption

The Logic Cell Array exhibits the low power consumption characteristic of CMOS ICs. Only quiescent power is required for the LCA configured for CMOS input levels. The TTL input level configuration option requires additional power for level shifting. The power required by the static memory cells which hold the configuration data is very low and may be maintained in a power-down mode.

Typically most of power dissipation is produced by capacitive loads on the output buffers, where the incremental power consumption is  $25 \mu\text{W} / \text{pF} / \text{MHz}$ . Another component of I/O power is the dc loading on each output pin. For any given system, the user can calculate the I/O power requirement based on the sum of capacitive and resistive loading of the devices driven by the Logic Cell Array.

Internal power supply dissipation is a function of clock frequency and the number of nodes changing on each clock. In an LCA the fraction of nodes changing on a given clock is typically low (10–20%). For example, in a 16-bit binary counter, the average clock produces a change in slightly less than 2 of the 16 bits. In a 4-input AND gate there will be 2 transitions in 16 states. Typical global clock buffer power is about  $2.5 \text{ mW} / \text{MHz}$  for the XC2064 and  $3.2 \text{ mW} / \text{MHz}$  for the XC2018. With a typical load of three general interconnect segments, each Configurable Logic Block output requires about  $0.22 \text{ mW} / \text{MHz}$  of its output frequency. At 3.3 V, the dynamic power consumption is reduced by the square of the voltage ratio, i.e, about 56%.

---

### Dynamic Power Consumption

#### XC2018 at 5.0V

One CLB driving three local interconnects	0.22 mW/MHz
One device output with a 50-pF load	2.0 mW/MHz
One global clock buffer and line	3.2 mW/MHz

---

### Pin Descriptions

#### Permanently Dedicated Pins.

**V<sub>CC</sub>**  
One or two (depending on package type) connections to the nominal +5 V supply voltage. All must be connected.

**GND**  
One or two (depending on package type) connections to ground. All must be connected.

**PWRDWN**  
A Low on this CMOS-compatible input stops all internal activity, but retains configuration. All flip-flops and latches are reset, all outputs are 3-stated, and all inputs are interpreted as High, independent of their actual level. While PWRDWN is Low, V<sub>CC</sub> may be reduced to any value >2.3 V. When PWRDWN returns High, the LCA becomes operational with DONE Low for two cycles of the internal 1-MHz clock. During configuration, PWRDWN must be High. If not used, PWRDWN must be tied to V<sub>CC</sub>.

**RESET**  
This is an active Low input which has three functions.

Prior to the start of configuration, a Low input will delay the start of the configuration process. An internal circuit senses the application of power and begins a minimal time-out cycle. When the time-out and  $\overline{\text{RESET}}$  are complete, the levels of the M lines are sampled and configuration begins.

If  $\overline{\text{RESET}}$  is asserted during a configuration, the LCA device is re-initialized and restarts the configuration at the termination of  $\overline{\text{RESET}}$ .

If  $\overline{\text{RESET}}$  is asserted after configuration is complete, it provides a global asynchronous reset of all IOB and CLB storage elements of the LCA device.

$\overline{\text{RESET}}$  can also be used to recover from partial power failure. See section on Re-program under "Special Configuration Functions."

**CCLK**  
During configuration, Configuration Clock is an output of an LCA in Master mode or Peripheral mode, but an input in Slave mode. During a Readback, CCLK is a clock input for shifting configuration data out of the LCA.

CCLK drives dynamic circuitry inside the LCA. The Low time may, therefore, not exceed a few microseconds. When used as an input, CCLK must be "parked High". An internal pull-up resistor maintains High when the pin is not being driven.



**DONE/PROG (D/P)**

DONE is an open-drain output, configurable with or without an internal pull-up resistor. At the completion of configuration, the LCA circuitry becomes active in a synchronous order; DONE goes active High one cycle after the IOB outputs go active.

Once configuration is done, a High-to-Low transition of this pin will cause an initialization of the LCA and start a reconfiguration.

**M0/RTRIG**

As Mode 0, this input and M1, M2 are sampled before the start of configuration to establish the configuration mode to be used.

A Low-to-High input transition, after configuration is complete, acts as a Read Trigger and initiates a Readback of configuration and storage-element data clocked by CCLK. By selecting the appropriate Readback option when generating the bitstream, this operation may be limited to a single Readback, or be inhibited altogether.

**M1/RDATA**

As Mode 1, this input and M0, M2 are sampled before the start of configuration to establish the configuration mode to be used. If Readback is never used, M1 can be tied directly to ground or  $V_{CC}$ . If Readback is ever used, M1 must use a 5-k $\Omega$  resistor to ground or  $V_{CC}$ , to accommodate the RDATA output.

As an active Low Read Data, after configuration is complete, this pin is the output of the Readback data.

**User I/O Pins that can have special functions.****M2**

During configuration, this input has a weak pull-up resistor. Together with M0 and M1, it is sampled before the start of configuration to establish the configuration mode to be used. After configuration, this pin is a user-programmable I/O pin.

**HDC**

During configuration, this output is held at a High level to indicate that configuration is not yet complete. After configuration, this pin is a user-programmable I/O pin.

**LDC**

During Configuration, this output is held at a Low level to indicate that the configuration is not yet complete. After configuration, this pin is a user-programmable I/O pin. LDC is particularly useful in Master mode as a Low enable for an EPROM, but it must then be programmed as a High after configuration.

**XTL1**

This user I/O pin can be used to operate as the output of an amplifier driving an external crystal and bias circuitry.

**XTL2**

This user I/O pin can be used as the input of an amplifier connected to an external crystal and bias circuitry. The I/O Block is left unconfigured. The oscillator configuration is activated by routing a net from the oscillator buffer symbol output and by the MAKEBITS program.

**CS0, CS1, CS2, WRT**

These four inputs represent a set of signals, three active Low and one active High, that are used to control configuration-data entry in the Peripheral mode. Simultaneous assertion of all four inputs generates a Write to the internal data buffer. The removal of any assertion clocks in the D0-D7 data. In Master mode, these pins become part of the parallel configuration byte, D4, D3, D2, D1. After configuration, these pins are user-programmable I/O pins.

**RCLK**

During Master parallel mode configuration RCLK represents a "read" of an external dynamic memory device (normally not used).

**D0-D7**

This set of eight pins represents the parallel configuration byte for the parallel Master mode. After configuration is complete they are user programmed I/O pins.

**A0-A15**

During Master Parallel mode, these 16 pins present an address output for a configuration EPROM. After configuration, they are user-programmable I/O pins.

**DIN**

During Slave or Master Serial configuration, this pin is used as a serial-data input. In the Master or Peripheral configuration, this is the Data 0 input.

**DOUT**

During configuration this pin is used to output serial-configuration data to the DIN pin of a daisy-chained slave.

**Unrestricted User I/O Pins.****I/O**

An I/O pin may be programmed by the user to be an Input or an Output pin following configuration. All unrestricted I/O pins, plus the special pins mentioned on the following page, have a weak pull-up resistor of 40 to 100 k $\Omega$  that becomes active as soon as the device powers up, and stays active until the end of configuration.

XC2064 Configuration Pin Assignments

CONFIGURATION MODE: <M2:M1:M0>					44	48	68	68	USER OPERATION	
MASTER-SER <0:0:0>	SLAVE <1:1:1>	PERIPHERAL <1:0:1>	MASTER-HIGH <1:1:0>	MASTER-LOW <1:0:0>	PLCC	DIP	PLCC	PGA		
GND					1		1	B6	GND	
<<HIGH>>					A13 (O)		2	A6	IO	
					A6 (O)	2	1	3		B5
					A12 (O)			4		A5
					A7 (O)	3	2	5		B4
					A11 (O)	4	3	6		A4
					A8 (O)	5	4	7		B3
					A10 (O)	6	5	8		A3
					A9 (O)	7	6	9		B2
					PWRDWN (I)					8
<<HIGH>>					9	8	11	B1	IO	
					10		12	C2		
					11	9	13	C1		
							14	D2		
						10	15	D1		
							16	E2		
VCC					11	17	E1	VCC		
<<HIGH>>					12	12	18	F2	IO	
					13	13	19	F1		
					14		20	G2		
					15	14	21	G1		
							22	H2		
						15	23	H1		
M1 (LOW)	M1 (HIGH)	M1 (LOW)	M1 (HIGH)	M1 (LOW)	16	17	25	J1	RDATA (O)	
M0 (LOW)	M0 (HIGH)	M0 (HIGH)	M0 (LOW)	M0 (LOW)	17	18	26	K1	RTRIG (I)	
M2 (LOW)	M2 (HIGH)				18	19	27	K2	IO	
HDC (HIGH)					19	20	28	L2		
<<HIGH>>							29	K3		
LDC (LOW)						21	30	L3		
<<HIGH>>					20		31	K4		
					21	22	32	L4		
					22		33	K5		
GND					23	34	L5	GND		
<<HIGH>>					23	24	35	K6	IO	
							36	L6		
							37	K7		
							38	L7		
							39	K8		
							40	L8		
D7 (I)					24	28	41	K9	XTL2 OR IO	
					D6 (I)					25
RESET (I)					26	30	43		RESET	
DONE (O)					27	31	44		PROG (I)	
<<HIGH>>					28	32	45	K11	XTL1 OR IO	
					29	33	46	J10		
							47	J11		
D5 (I)					30	34	48	H10	IO	
					CS0 (I)					31
D4 (I)					32	36	51	G11		
CS1 (I)					33		52	F10	VCC	
VCC							53	F11	IO	
<<HIGH>>					34	37	54	E10		
					35		55	E11		
WRT (I)					35	38	56	D10		
RCLK	DIN (I)			RCLK	36	40	58	C10		
DOUT (O)					37	41	59	C11		
CCLK (O)	CCLK (I)	CCLK (O)			38	42	60	B11	CCLK (I)	
<<HIGH>>					A0 (O)	39	43	61	B10	IO
					A1 (O)	40	44	62	A10	
					A2 (O)	41	45	63	B9	
					A3 (O)	42	46	64	A9	
					A15 (O)			65	B8	
					A4 (O)	43	47	66	A8	
					A14 (O)			67	B7	
A5 (O)					44	48	68	A7		

<<HIGH>> IS HIGH IMPEDANCE WITH A 20-50 KΩ INTERNAL PULL-UP DURING CONFIGURATION

Note: A PLCC in a "PGA-Footprint" socket has a different signal pinout than a PGA device.

## XC2018 Configuration Pin Assignments

CONFIGURATION MODE: <M2:M1:M0>					44	64	68	84	84	100	USER OPERATION		
MASTER-SER <0:0>	SLAVE <1:1>	PERIPHERAL <1:0>	MASTER-HIGH <1:1>	MASTER-LOW <1:0>	PLCC	VQFP	PLCC	PLCC	PGA	TQFP			
GND					1	8	1	1	C6	13	GND		
<<HIGH>>					A13 (O)		9	2	2	A6	14	IO	
					A6 (O)		2	10	3	5	C5		17
					A12 (O)		11	4	6	A4	18		
					A7 (O)		3	12	5	B4	19		
					A11 (O)		4	13	6	A3	20		
					A8 (O)		5	14	7	A2	21		
					A10 (O)		6	15	8	B3	22		
PWRDWN (I)					7	16	9	11	A1	23	PWR DWN		
<<HIGH>>					8	17	10	12	B2	26	IO		
					9	18	11	13	C2	27			
					10	19	12	14	B1	29			
					10	20	13	15	C1	30			
								14	D2	32			
								15	D1	33			
								18	E3	34			
								19	E2	35			
								20	E1	36			
								21	F2	37			
Vcc					12	24	18	22	F3	38	Vcc		
<<HIGH>>					13	25	19	23	G3	39	IO		
								24	G1	40			
								25	G2	41			
								26	F1	42			
								27	H1	43			
								28	H2	45			
								29	J1	47			
								30	K1	48			
								31	J2	49			
								32	L1	51			
M1 (LOW)	M1 (HIGH)	M1 (LOW)	M1 (HIGH)	M1 (LOW)	16	31	25	31	J2	49	RDATA (O)		
M0 (LOW)	M0 (HIGH)	M0 (HIGH)	M0 (LOW)	M0 (LOW)	17	32	26	32	L1	51	RTRIG (I)		
M2 (LOW)	M2 (HIGH)				18	33	27	33	K2	53	IO		
HDC (HIGH)					19	34	28	34	K3	54			
<<HIGH>>					35	29	35	L2	55				
LDC (LOW)					20	36	30	36	L3	56			
<<HIGH>>					37	31	37	K4	57				
					21	38	32	38	L4	58			
								39	J5	59			
								39	33	40		K5	60
								40	34	41		L5	61
GND					22			42	K6	62		GND	
<<HIGH>>					23	41	35	43	J6	63	IO		
								44	J7	64			
								42	36	45		L7	65
								37	46	K7		66	
								43	38	47		L6	67
								48	L8	68			
								44	39	49		K8	69
								40	50	L9		70	
								45	41	51		L10	71
								46	42	52		K9	72
D7 (I)					24	45	41	51	L10	71	XTL2 OR IO		
D6 (I)					25	46	42	52	K9	72			
RESET (I)					26	47	43	53	L11	73	RESET		
DONE (O)					27	48	44	54	K10	75	PROG (I)		
<<HIGH>>					28	49	45	55	J10	77	XTL1 OR IO		
					29	50	46	56	K11	78			
					51	47	57	J11	79				
D5 (I)					30	52	48	58	H10	80	IO		
<<HIGH>>								59	H11	82			
								53	49	60		F10	84
								61	G10	85			
								57	53	65		F11	89
								58	54	66		E11	90
			59	55	68	E9	92						
			69	D11	93								
			70	D10	95								
			71	C11	96								
			72	B11	97								
CS0 (I)					31	54	50	62	G11	86	Vcc		
D4 (I)					32	55	51	63	G9	87			
D3 (I)					33	56	52	64	F9	88	IO		
Vcc					34	58	54	66	E11	90			
<<HIGH>>								67	E10	91			
								59	55	68		E9	92
								69	D11	93			
CS2 (I)					34	58	54	66	E11	90			
<<HIGH>>								67	E10	91			
								59	55	68		E9	92
WRT (I)					35	60	56	70	D10	95		Vcc	
D1 (I)					36	62	58	72	B11	97			
RCLK					36	62	58	72	B11	97	IO		
DIN (I)					37	63	59	73	C10	98			
DO (I)					37	63	59	73	C10	98	IO		
CCLK (O)					38	64	60	74	A11	99			
<<HIGH>>					39	1	61	75	B10	2			
					40	2	62	76	B9	3			
					41	3	63	77	A10	5			
					42	4	64	78	A9	6			
								65	79	B8		7	
								66	80	A8		8	
								67	81	B6		9	
								82	B7	10			
								83	A7	11			
								84	C7	12			
A5 (O)					44	7	68	84	C7	12	CCLK (I)		

<<HIGH>> IS HIGH IMPEDANCE WITH A 20-5 kΩ INTERNAL PULL-UP DURING CONFIGURATION

X3260

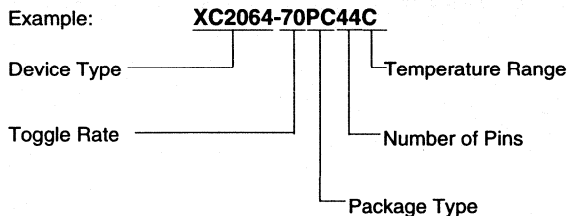
## XC2000 Logic Cell Array Families

For a detailed description of the device architecture, see pages 2-179 through 2-187.

For a detailed description of the configuration modes and their timing, see pages 2-192 through 2-198.

For package physical dimensions, see Section 4.

### Ordering Information



### Component Availability

PINS	44		48		64		68		84		100	
	PLAST. PLCC	PLAST. DIP	PLAST. VQFP	PLAST. PLCC	CERAM. PGA	PLAST. PLCC	CERAM. PGA	PLAST. TQFP	PLAST. VQFP			
CODE	PC44	PD48	VQ64	PC68	PG68	PC84	PG84	TQ100	VQ100			
XC2064	-50		C		CI	CI	M					
	-70	CI			CI	CI	M					
	-100	C			C	C						
XC2018	-33						MB					
	-50				CI		CI	CI	MB			
	-70	CI			CI		CI	CI	MB			
-100	C		C	C		C	C	C				
XC2064L			(CI)	CI								
XC2018L			CI			CI			CI			

C = Commercial = 0° to +70° C      I = Industrial = -40° to +85° C  
M = Mil Temp = -55° to +125° C      B = MIL-STD-883C Class B  
Parentheses indicate future product plans



# XC2000 Logic Cell Array Family

## Product Specification

### Features

- Fully Field-Programmable:
  - I/O functions
  - Digital logic functions
  - Interconnections
- General-purpose array architecture
- Complete user control of design cycle
- Compatible arrays with logic cell complexity equivalent to 1,000 and 1,500 gates
- Standard product availability
- 100% factory-tested
- Selectable configuration modes
- Low-power, CMOS, static-memory technology
- Performance equivalent to TTL SSI/MSI
- TTL or CMOS input thresholds
- Complete development system support
  - XACT Design Editor
  - Schematic Entry
  - Macro Library
  - Timing Calculator
  - Logic and Timing Simulator
  - Auto Place/Route

### Description

The Logic Cell Array (LCA) is a high density CMOS integrated circuit. Its user-programmable array architecture is made up of three types of configurable elements: Input/Output Blocks, logic blocks and Interconnect. The designer can define individual I/O blocks for interface to external circuitry, define logic blocks to implement logic functions and define interconnection networks to compose larger scale logic functions. The XACT Development System provides interactive graphic design capture and automatic routing. Both logic simulation and in-circuit emulation are available for design verification.

The Logic Cell Array is available in a variety of logic capacities, package styles, temperature ranges and speed grades.

Device	Logic Capacity (gates)	CLBs	User I/O Max	Config. bits
XC2064	800 - 1,000	64	58	12038
XC2018	1,200 - 1,500	100	74	17878

The LCA logic functions and interconnections are determined by data stored in internal static-memory cells. On-chip logic provides for automatic loading of configuration data at power-up. The program data can reside in an EEPROM, EPROM or ROM on the circuit board or on a floppy disk or hard disk. The program can be loaded in a number of modes to accommodate various system requirements.

Xilinx maintains test specifications for each product as controlled documents. To insure the use of the most recently released device performance parameters, please request a copy of the current test-specification revision.

**Absolute Maximum Ratings**

Symbol	Description		Units
V <sub>CC</sub>	Supply voltage relative to GND	-0.5 to +7.0	V
V <sub>IN</sub>	Input voltage with respect to GND	-0.5 to V <sub>CC</sub> +0.5	V
V <sub>TS</sub>	Voltage applied to 3-state output	-0.5 to V <sub>CC</sub> +0.5	V
T <sub>STG</sub>	Storage temperature (ambient)	-65 to +150	°C
T <sub>SOL</sub>	Maximum soldering temperature (10 s @ 1/16 in.)	+260	°C

Note: Stresses beyond those listed under Absolute Maximum Ratings may cause permanent damage to the device. These are stress ratings only, and functional operation of the device at these or any other conditions beyond those listed under Recommended Operating Conditions is not implied. Exposure to Absolute Maximum Ratings conditions for extended periods of time may affect device reliability.

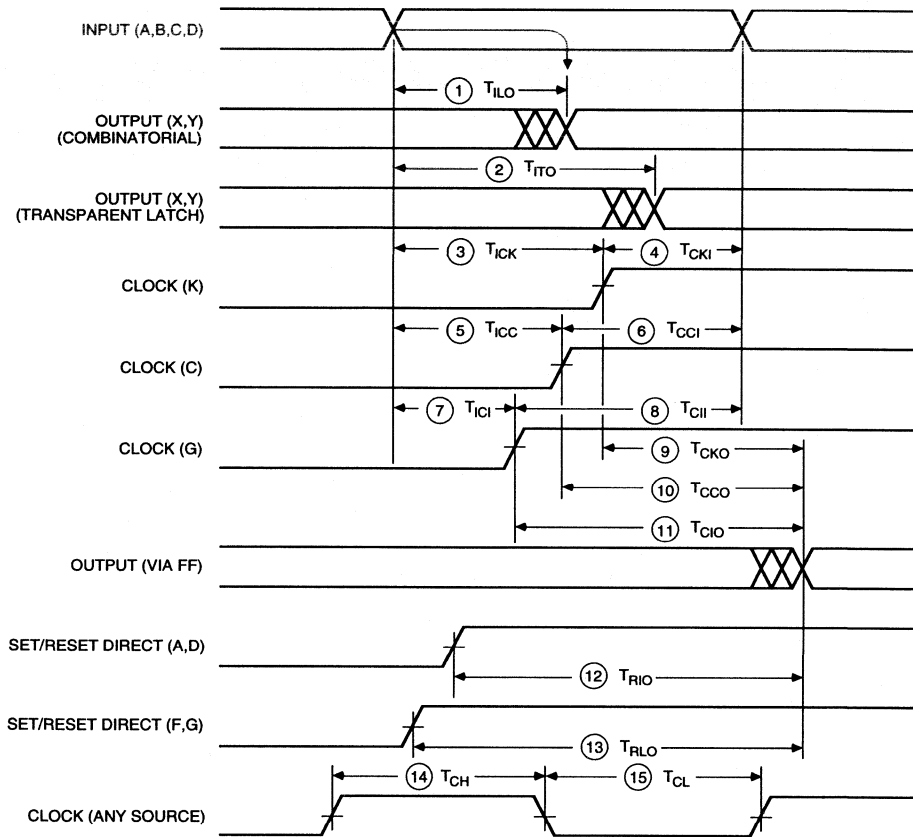
**Operating Conditions**

Symbol	Description	Min	Max	Units
V <sub>CC</sub>	Supply voltage relative to GND Commercial 0°C to +70°C	4.75	5.25	V
	Supply voltage relative to GND Industrial -40°C to +85°C	4.5	5.5	V
	Supply voltage relative to GND Military -55°C to +125°C	4.5	5.5	V
V <sub>IHT</sub>	High-level input voltage — TTL configuration	2.0	V <sub>CC</sub>	V
V <sub>ILT</sub>	Low-level input voltage — TTL configuration	0	0.8	V
V <sub>IHC</sub>	High-level input voltage — CMOS configuration	70%	100%	V <sub>CC</sub>
V <sub>ILC</sub>	Low-level input voltage — CMOS configuration	0	20%	V <sub>CC</sub>
T <sub>IN</sub>	Input signal transition time		250	ns

## DC Characteristics Over Operating Conditions

Symbol	Description		Min	Max	Units
$V_{OH}$	High-level output voltage (@ $I_{OH} = -4.0 \text{ ma } V_{CC} \text{ min}$ )	Commercial	3.86		V
$V_{OL}$	Low-level output voltage (@ $I_{OL} = 4.0 \text{ ma } V_{CC} \text{ max}$ )			0.32	V
$V_{OH}$	High-level output voltage (@ $I_{OH} = -4.0 \text{ ma } V_{CC} \text{ min}$ )	Industrial Military	3.76		V
$V_{OL}$	Low-level output voltage (@ $I_{OL} = 4.0 \text{ ma } V_{CC} \text{ max}$ )			0.37	V
$V_{CCPD}$	Power-down supply voltage ( $\overline{\text{PWRDWN}}$ must be Low)		2.3		V
$I_{CCO}$	Quiescent operating power supply current				
	CMOS thresholds (@ $V_{CC} \text{ Max}$ )			5	mA
	TTL thresholds (@ $V_{CC} \text{ Max}$ )			12	mA
$I_{CCPD}$	Power-down supply current ( $V_{CC(\text{MAX})}$ @ $T_{\text{MAX}}$ )			500	$\mu\text{A}$
$I_{IL}$	Input Leakage Current		-10	+10	$\mu\text{A}$
$C_{IN}$	Input capacitance (sample tested) All Pins except XTL1 and XTL2 XTL1 and XTL2			10	pF
				15	pF

CLB Switching Characteristic Guidelines





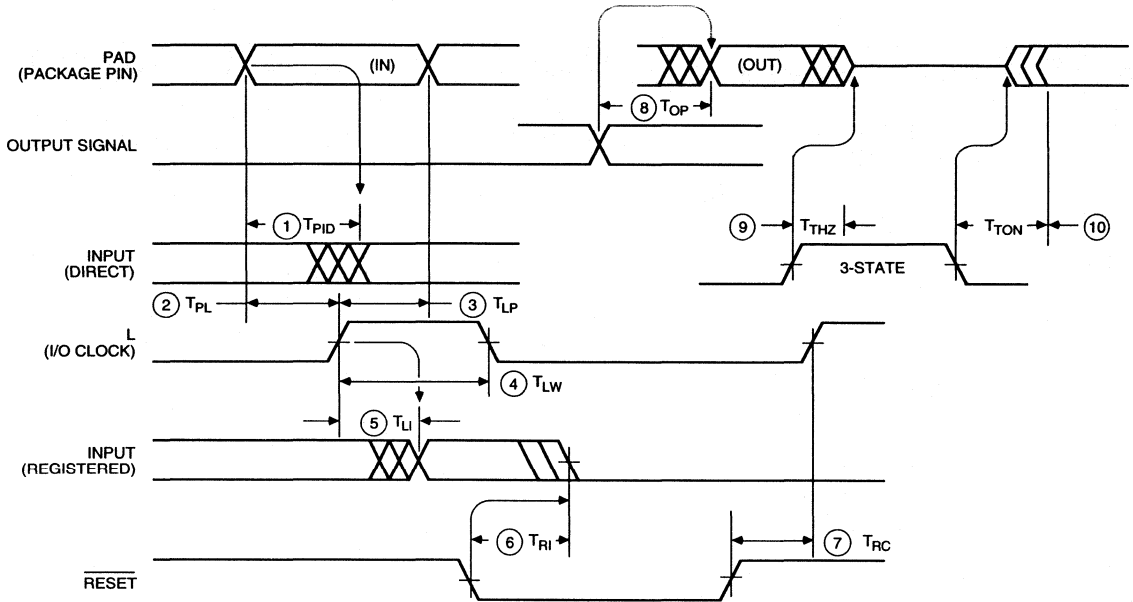
### CLB Switching Characteristic Guidelines (Continued)

Speed Grade			-50		-70		-100		Units	
	Description	Symbol	Min	Max	Min	Max	Min	Max		
Logic Input to Output	Combinatorial Transparent latch Additional for Q through F or G to out	1	$T_{ILO}$		15		10		8	ns
		2	$T_{ITO}$		20		14		10	ns
			$T_{QLO}$		8		6		6	ns
K Clock	To output Logic-input setup Logic-input hold	9	$T_{CKO}$		15		10		7	ns
		3	$T_{ICK}$	9		7		6		ns
		4	$T_{CKI}$	0		0		0		ns
C Clock	To output Logic-input setup Logic-input hold	10	$T_{CCO}$		19		13			ns
		5	$T_{ICC}$	8		6		5		ns
		6	$T_{CCI}$	0		0		0		ns
Logic Input to G Clock	To output Logic-input setup Logic-input hold	11	$T_{CIO}$		27		20		13	ns
		7	$T_{ICI}$	4		3		2		ns
		8	$T_{CII}$	5		4		3		ns
Set/Reset direct	Input A or D to output x, y Through F or G to output Reset pad to output x, y Separation of set/reset Set/Reset pulse-width	12	$T_{RIO}$		22		16		10	ns
		13	$T_{RLO}$		28		21		14	ns
			$T_{MRQ}$		25		20		17	ns
			$T_{RS}$	9		7		6		ns
			$T_{RPW}$	9		7		6		ns
Flip-flop Toggle rate	Q through F to flip-flop		$F_{CLK}$	50		70		100*		MHz
Clock	Clock High Clock Low	14	$T_{CH}$	8		7		5*		ns
		15	$T_{CL}$	8		7		5*		ns

Notes: 1. All switching characteristics apply to all valid combinations of process, temperature and supply with a nominal chip power dissipation of 250 mW.

\* These parameters are for clock pulses generated within a CLB. For an externally generated pulse, derate these parameters by 20%.

I/O Switching Guidelines



1104 31A

		Speed Grade		-50		-70		-100		Units
	Description	Symbol	Min	Max	Min	Max	Min	Max		
Pad (package pin)	To input (direct)	1 $T_{PID}$		8		6		4	ns	
I/O Clock	To input (storage)	5 $T_{LI}$	8	15	6	11	4	8	ns	
	To pad-input setup	2 $T_{PL}$	0		0		0		ns	
	To pad-input hold	3 $T_{LP}$	9		7		5*		ns	
	Pulse width	4 $T_{LW}$	50		70		100*		MHz	
Output	To pad (output enabled)	8 $T_{OP}$		12		9		7	ns	
Three-state	To pad begin hi-Z	9 $T_{THZ}$		20		15		11	ns	
	To pad end hi-Z	10 $T_{TON}$		20		15		13	ns	
RESET	To input (storage)	6 $T_{RI}$	25	30	20	25	14	17	ns	
	To input clock	7 $T_{RC}$							ns	

Note: Timing is measured at 0.5 V<sub>cc</sub> levels with 50 pF output load.

\*These parameters are for clock pulses generated within an LCA device. For an externally applied clock, derate these parameters by 20%.



# XC2000L Low-Voltage Logic Cell Array Family

## Preliminary Product Specification

### Features

- Part of the ZERO+ Family of 3.3 V FPGAs
- Low-power, low-supply-voltage FPGA family with two device types
  - JEDEC-compliant 3.3 V version of the XC2000 LCA Family
  - Logic densities from 1,000 to 1,500 gates
  - Up to 74 user-definable I/Os
- Advanced, low power 0.8  $\mu$  CMOS static-memory technology
  - Very low quiescent current consumption,  $\leq 20 \mu\text{A}$ , 25 times less than XC2000
  - Operating power consumption 66% less than previous generation 5 V FPGAs; 56% less than XC2000
- Identical to the basic XC2000 in structure, pin out, design methodology, and software tools
  - 100% compatible with XC2000 bitstreams
- XC2000L-specific features
  - Guaranteed over the 3.0 to 3.6 V  $V_{CC}$  range
  - TTL-equivalent input and output levels
  - 4 mA output sink and source current
  - Advanced packaging using thin and very thin quad flat packs

### Description

The XC2000L family of FPGAs is optimized for operation from a 3.3 V (nominal) supply. Aside from the electrical and timing parameters listed in this data sheet, the XC2000L family is in all respects identical with the XC2000 family.

The operating power consumption of Xilinx FPGAs is almost exclusively dynamic; it changes with the square of the supply voltage. For a given complexity and clock speed, the XC2000L consumes, therefore, only 44% of the power used by the equivalent XC2000 device. Consistent with its use in battery-powered equipment, the XC2000L family was designed for the lowest possible power-down and quiescent current consumption.

Device	Logic Capacity (gates)	CLBs	User I/O Max	Config. bits
XC2064L	800 - 1,000	64	58	12,038
XC2018L	1,200 - 1,500	100	74	17,878

LCA logic functions and interconnections are determined by data stored in internal static-memory cells. On-chip logic provides for automatic loading of configuration data at power-up. Program data can reside in an EEPROM, EPROM or ROM on the circuit board or on a floppy disk or hard disk. The program can be loaded in a number of modes to accommodate various system requirements.

Xilinx maintains test specifications for each product as controlled documents. To insure the use of the most recently released device performance parameters, please request a copy of the current test-specification revision.

**Absolute Maximum Ratings**

<b>Symbol</b>	<b>Description</b>		<b>Units</b>
$V_{CC}$	Supply voltage relative to GND	-0.5 to +7.0	V
$V_{IN}$	Input voltage with respect to GND	-0.5 to $V_{CC} + 0.5$	V
$V_{TS}$	Voltage applied to 3-state output	-0.5 to $V_{CC} + 0.5$	V
$T_{STG}$	Storage temperature (ambient)	-65 to +150	°C
$T_{SOL}$	Maximum soldering temperature (10 s @ 1/16 in.)	+260	°C
$T_J$	Junction temperature plastic	+125	°C
	Junction temperature ceramic	+150	°C

Note: Stresses beyond those listed under Absolute Maximum Ratings may cause permanent damage to the device. These are stress ratings only, and functional operation of the device at these or any other conditions beyond those listed under Recommended Operating Conditions is not implied. Exposure to Absolute Maximum Ratings conditions for extended periods of time may affect device reliability.

**Operating Conditions**

<b>Symbol</b>	<b>Description</b>	<b>Min</b>	<b>Max</b>	<b>Units</b>
$V_{CC}$	Supply voltage relative to GND (Commercial 0°C to +70°C)	3.0	3.6	V
$V_{IH}$	High-level input voltage	2.0	$V_{CC} + 0.3$	V
$V_{IL}$	Low-level input voltage	0.3	0.8	V
$T_{IN}$	Input signal transition time		250	ns

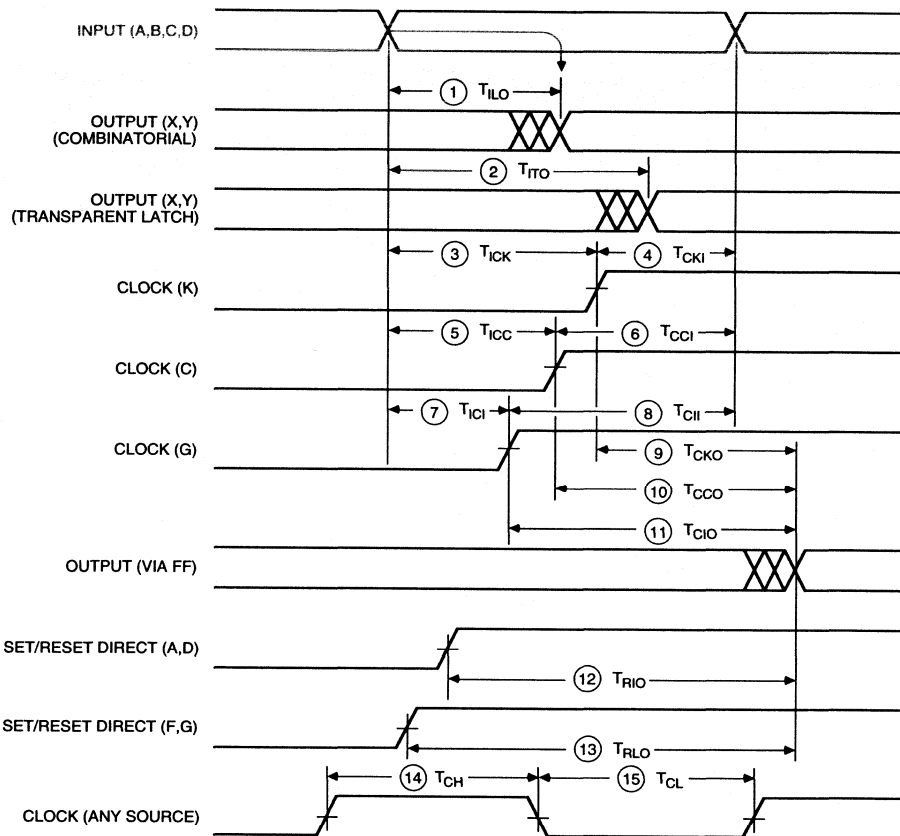
Although the present (1993) devices operate over the full supply voltage range from 3.0 to 5.25 V, Xilinx reserves the right to restrict operation to the 3.0 to 3.6 V range later, when smaller device geometries might preclude operation at 5 V.

## DC Characteristics Over Operating Conditions

Symbol	Description	Min	Max	Units
$V_{OH}$	High-level output voltage (@ $I_{OH} = -2.0 \text{ mA}$ $V_{CC}$ min)	2.4		V
$V_{OL}$	Low-level output voltage (@ $I_{OL} = 4.0 \text{ mA}$ $V_{CC}$ max)		0.4	V
$V_{OH}$	High-level output voltage (@ $-100 \mu\text{A}$ $V_{CC}$ min)	$V_{CC} - 0.2$		V
$V_{OL}$	Low-level output voltage (@ $100 \mu\text{A}$ $V_{CC}$ min)		0.2	V
$V_{CCPD}$	Power-down supply voltage ( $\overline{\text{PWRDWN}}$ must be Low)	2.3		V
$I_{CCO}$	Quiescent operating power supply current*		20	$\mu\text{A}$
$I_{CCPD}$	Power-down supply current ( $V_{CC(\text{MAX})}$ @ $T_{\text{MAX}}$ )		10	$\mu\text{A}$
$I_{IL}$	Input Leakage Current, all I/O pins in parallel	-10	+10	$\mu\text{A}$
$C_{IN}$	Input capacitance (sample tested) All Pins except XTL1 and XTL2		10	pF
	XTL1 and XTL2		15	pF

\* With no output current loads, no active input or Longline pull-up resistors, all package pins at  $V_{CC}$  or GND, and the LCA device configured with a MakeBits tie option.  $I_{CCO}$  is in addition to  $I_{CCPD}$ .

CLB Switching Characteristic Guidelines







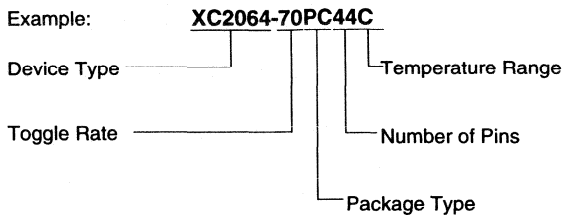


For a detailed description of the device architecture, see pages 2-179 through 2-187.

For a detailed description of the configuration modes and their timing, see pages 2-192 through 2-198.

For package physical dimensions, see Section 4.

### Ordering Information



### Component Availability

PINS	44		48		64		68		84		100	
	PLAST. PLCC	PLAST. DIP	PLAST. VQFP	PLAST. PLCC	CERAM. PGA	PLAST. PLCC	CERAM. PGA	PLAST. TOFP	PLAST. VQFP			
CODE	PC44	PD48	VQ64	PC68	PG68	PC84	PG84	TQ100	VQ100			
XC2064	-50	C		CI	CIM							
	-70	CI		CI	CIM							
	-100	C		C	C							
XC2018	-33						MB					
	-50			CI		CI	CIMB					
	-70	CI		CI		CI	CIMB					
	-100	C		C	C	C	C	C				
XC2064L			(CI)	CI								
XC2018L			CI			CI		CI				

C = Commercial = 0° to +70° C      I = Industrial = -40° to +85° C  
 M = Mil Temp = -55° to +125° C      B = MIL-STD-883C Class B  
 Parentheses indicate future product plans





# XC17000 Family of Serial Configuration PROMs

## *Table of Contents*

Overview .....	2-224
Component Availability .....	2-224
XC17000 Family of Serial Configuration PROMs .....	2-225
Pin Assignments .....	2-226
Number of Configuration Bits for all Xilinx FPGAs .....	2-226
Serial PROM Pinouts .....	2-226
Controlling Serial PROMs .....	2-227
LCA Master Serial Mode Summary .....	2-227
Standby Mode .....	2-229
Programming .....	2-229
XC1718D, XC1736D, XC1765D, XC17128 Absolute Maximum Ratings .....	2-230
Operating Conditions .....	2-230
DC Characteristics .....	2-230
XC1718L and XC1765L Absolute Maximum Ratings .....	2-231
Operating Conditions .....	2-231
DC Characteristics .....	2-231
AC Characteristics .....	2-232
Ordering Information .....	2-233

## Overview

### Serial Configuration PROMs

Xilinx offers several pin- and function-compatible serial one-time-programmable PROMs in plastic and ceramic packages.

The original family consists of the XC1736A, XC1765 followed by the XC17128. (The numbers following the 17 indicate the capacity in kilobits.)

The XC1736A is the only serial PROM that lacks the programmable Reset polarity option, and the XC17128 is the only serial PROM that can be clocked at the full 10 MHz required by the XC4000 in fast configuration mode. All other serial PROMs can be clocked at up to 5 MHz.

In early 1993, Xilinx introduced the D-series of serial PROMs, the XC1718D, XC1736D, and XC1765D, all with programmable Reset polarity, improved ESD protection, and all with max 5 MHz clock frequency. These devices are programmed with a lower voltage and a different programming algorithm than the older parts. The user needs the appropriate update from the programmer vendor. These devices will become the mainstream serial PROMs, and, beyond the traditional packages, they are also available in the space-saving SO8 package.

In early 1993, Xilinx also introduced the L-series of serial PROMs, the XC1718L and XC1765L. These devices operate at the new industry-standard low supply voltage of 3.3 V (3.0 to 3.6 V).

### Component Availability

PINS	8			20
	PLAST. DIP	CERAM. DIP	PLAST. SOIC	PLAST. PLCC
CODE	PD8	DD8	SO8	PC20
XC1718D	C I		C I	C I
XC1736D	C I	M	C I	C I
XC1765D	C I	M R	C I	C I
XC1718L	C I		C I	C I
XC1765L	C I	M	C I	C I
XC17128	C*	M		C*

C = Commercial = 0° to +70° C

M = Mil Temp = -55° to +125° C

I = Industrial = -40° to +85° C

R = High Rel = -55° C to +125° C

\*17128 C = 0° to +70° C or -40° to +85° C

### Features

- Extended family of one-time programmable (OTP) bit-serial read-only memories used for storing the configuration bitstreams of Xilinx FPGAs
- On-chip address counter, incremented by each rising edge on the clock input
- Simple interface to the FPGA requires only one user I/O pin
- Cascadable for storing longer or multiple bitstreams
- Programmable reset polarity (active High or active Low) for compatibility with different FPGA solutions, (the older XC1736A has active-High reset only)
- XC17128 supports XC4000 fast configuration mode (10 MHz)
- Low-power CMOS EPROM process
- Available in 5 V and 3.3 V versions
- Available in plastic and ceramic packages, and commercial, industrial and military temperature ranges
- Space efficient 8-pin DIP, 8-pin SOIC or 20-pin surface-mount packages.
- Programming support by leading programmer manufacturers.

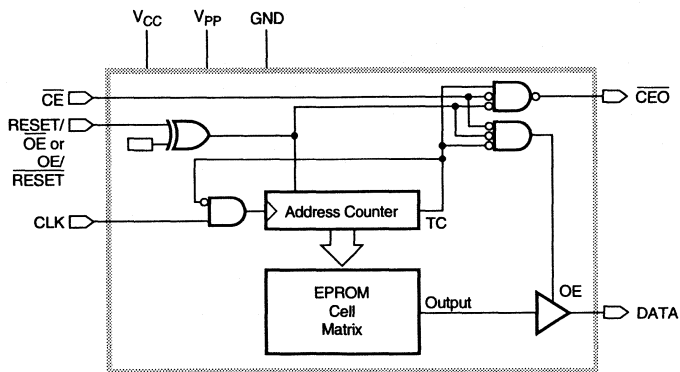
### Description

The XC17000 family of serial configuration PROMs (SCPs) provides an easy-to-use, cost-effective method for storing Xilinx FPGA configuration bitstreams.

When the FPGA is in master serial mode, it generates a configuration clock that drives the SCP. A short access time after the rising clock edge, data appears on the SCP DATA output pin that is connected to the FPGA DIN pin. The FPGA generates the appropriate number of clock pulses to complete the configuration. Once configured, it disables the SCP. When the FPGA is in slave mode, the SCP and the FPGA must both be clocked by an incoming signal.

Multiple devices can be concatenated by using the  $\overline{CE}$  output to drive the  $\overline{CE}$  input of the following device. The clock inputs and the DATA outputs of all SCPs in this chain are interconnected. All devices are compatible and can be cascaded with other members of the family.

For device programming, the XACT development system compiles the LCA design file into a standard Hex format, which is then transferred to the programmer.



X3185

Figure 1. Simplified Block Diagram (does not show programming circuit)

## Pin Assignments

**DATA**

Data output, 3-stated when either  $\overline{CE}$  or  $\overline{OE}$  are inactive. During programming, the DATA pin is I/O. Note that  $\overline{OE}$  can be programmed to be either active High or active Low.

**CLK**

Each rising edge on the CLK input increments the internal address counter, if both  $\overline{CE}$  and  $\overline{OE}$  are active. Note that  $\overline{OE}$  can be programmed to be either active High or active Low.

**RESET/ $\overline{OE}$** 

When High, this input holds the address counter reset and 3-states the DATA output. The polarity of this input pin is programmable as either RESET/ $\overline{OE}$  or OE/RESET. To avoid confusion, this document describes the pin as RESET/ $\overline{OE}$ , although the opposite polarity is possible on all devices except the older XC1736A.

 **$\overline{CE}$** 

When High, this pin disables the internal address counter, 3-states the DATA output, and forces the device into low- $I_{CC}$  standby mode.

 **$\overline{CEO}$** 

Chip Enable output, to be connected to the CE input of the next SCP in the daisy chain. This output is Low when the CE and OE inputs are both active AND the internal address counter has been incremented beyond its Terminal Count (TC) value. In other words: when the PROM has been read,  $\overline{CEO}$  will follow  $\overline{CE}$  as long as  $\overline{OE}$  is active. When  $\overline{OE}$  goes inactive,  $\overline{CEO}$  stays High until the PROM is reset. Note that  $\overline{OE}$  can be programmed to be either active High or active Low.

 **$V_{PP}$** 

Programming voltage. No overshoot above the specified max voltage is permitted on this pin. For normal read operation, this pin *must* be connected to  $V_{CC}$ . Failure to do so may lead to unpredictable, temperature-dependent operation and severe problems in circuit debugging. *Do not leave  $V_{PP}$  floating!*

 **$V_{CC}$** 

Positive supply pin.

**GND**

Ground pin

## Serial PROM Pinouts

Pin Name	8-Pin	20-Pin
DATA	1	2
CLK	2	4
RESET/ $\overline{OE}$ (OE/RESET)	3	6
$\overline{CE}$	4	8
GND	5	10
$\overline{CEO}$	6	14
$V_{PP}$	7	17
$V_{CC}$	8	20

## Number of Configuration Bits, including Header for all Xilinx FPGAs

Device	Configuration Bits
XC2064	12,038
XC2018	17,878
XC3020/3120	14,819
XC3030/3130	22,216
XC3042/3142	30,824
XC3064/3164	46,104
XC3090/3190	64,200
XC3195	94,984
XC4002A	31,668
XC4003A	45,676
XC4003H	53,967
XC4004A	62,244
XC4005A	81,372
XC4005/4005H	95,000
XC4006	119,832
XC4008	147,544
XC4010	178,136
XC4013	247,960

## Controlling Serial PROMS

Most connections between the LCA device and the Serial PROM are simple and self-explanatory.

- The DATA output of the PROM drives DIN of the LCA devices.
- The master LCA CCLK output drives the CLK input of the Serial PROM.
- The  $\overline{CE}$  output of any Serial PROM can be used to drive the  $\overline{CE}$  input of the next serial PROM in a cascade chain of PROMs.
- $V_{PP}$  *must* be connected to  $V_{CC}$ . Leaving  $V_{PP}$  open can lead to unreliable, temperature-dependent operation.

There are, however, two different ways to use the inputs  $\overline{CE}$  and  $\overline{OE}$ .

1. The LCA D/P or LDC output drives both  $\overline{CE}$  and  $\overline{OE}$  in parallel. This is the simplest connection, but it fails if a user applies RESET during the LCA configuration process. The LCA device aborts the configuration and then restarts a new configuration, as intended, but the Serial PROM does not reset its address counter, since it never saw a High level on its  $\overline{OE}$  input. The new configuration, therefore, reads the remaining data in the PROM and interprets it as preamble, length count etc. Since the LCA device is the master, it issues the necessary number of CCLK pulses, up to 16 million ( $2^{24}$ ) and D/P goes High. However, the LCA configuration will be completely wrong, with potential contentions inside the LCA device and on its output pins. *This method must, therefore, never be used when there is any chance of external reset during configuration.*
2. The LCA D/P or LDC output drives only the  $\overline{CE}$  input of the Serial PROM while its OE input is driven by the LCA RESET input. This connection works under all normal circumstances, even when the user aborts a configuration before D/P has gone High. The Low level on the  $\overline{OE}$  input during reset clears the PROM internal address pointer, so that the reconfiguration starts at the beginning. The reset polarity should be inverted for this mode to be used. It is strongly recommended that this method, shown in Figure 2, be used when-ever possible.

### LCA Master Serial Mode Summary

The I/O and logic functions of the Logic Cell Array and their associated interconnections are established by a configuration program. The program is loaded either automatically upon power up, or on command, depending on the state of the three LCA mode pins. In Master Mode, the Logic Cell Array automatically loads the configuration program from an external memory. The Serial Configuration PROM has been designed for compatibility with the Master Serial Mode.

Upon power-up or reconfiguration, an LCA device enters the Master Serial Mode whenever all three of the LCA

mode-select pins are Low ( $M0=0$ ,  $M1=0$ ,  $M2=0$ ). Data is read from the Serial Configuration PROM sequentially on a single data line. Synchronization is provided by the rising edge of the temporary signal CCLK, which is generated during configuration.

Master Serial Mode provides a simple configuration interface. Only a serial data line and two control lines are required to configure an LCA device. Data from the Serial Configuration PROM is read sequentially, accessed via the internal address and bit counters which are incremented on every valid rising edge of CCLK.

If the user-programmable, dual-function DIN pin on the LCA device is used only for configuration, it must still be held at a defined level during normal operation. The XC3000 and XC4000 families take care of this automatically with an on-chip default pull-up resistor. With XC2000-family devices, the user must either configure DIN as an active output, or provide a defined level, e.g., by using an external pull-up resistor, if DIN is configured as an input.

### Programming the LCA With Counters Unchanged Upon Completion

When multiple LCA-configurations for a single LCA are stored in a Serial Configuration PROM, the  $\overline{OE}$  pin should be tied Low as shown in Figure 3. Upon power-up, the internal address counters are reset and configuration begins with the first program stored in memory. Since the  $\overline{OE}$  pin is held Low, the address counters are left unchanged after configuration is complete. Therefore, to reprogram the LCA with another program, the D/P line is pulled Low and configuration begins at the last value of the address counters.

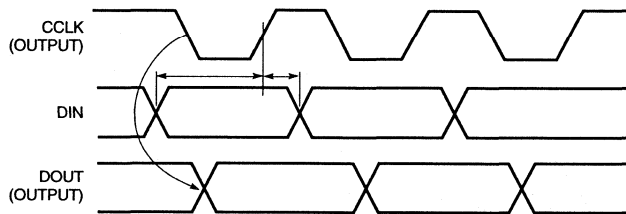
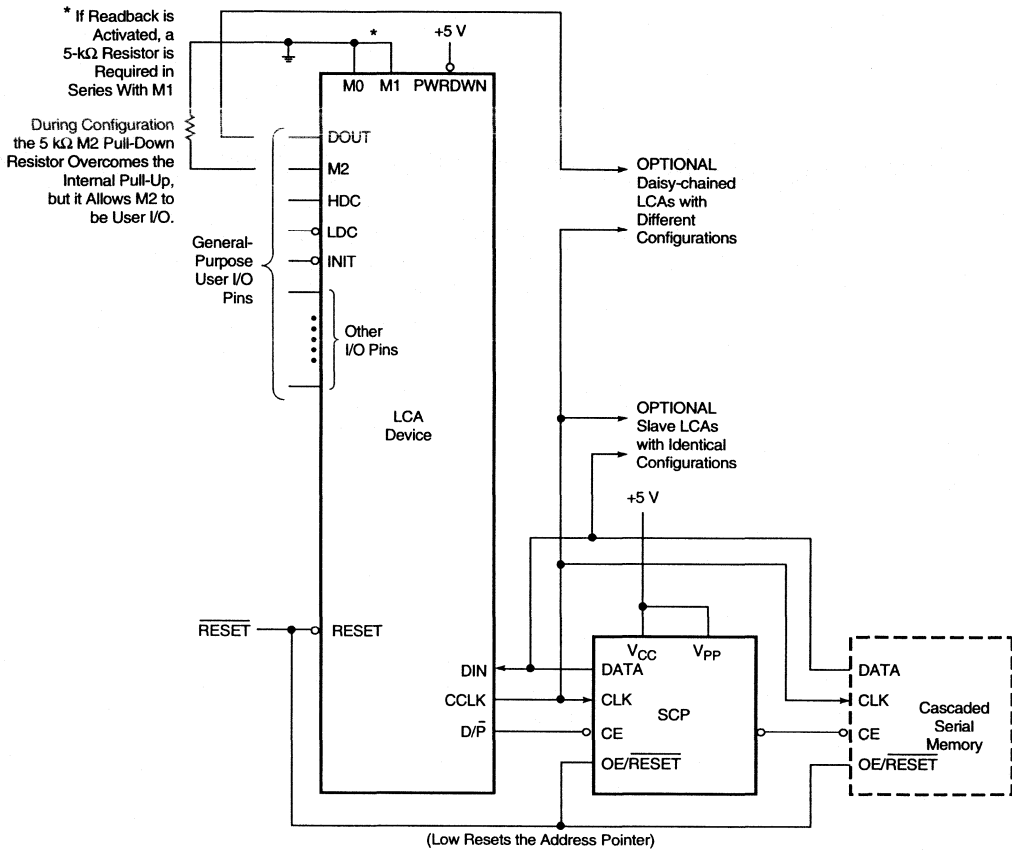
### Cascading Serial Configuration PROMs

For multiple LCAs configured as a daisy-chain, or for future LCAs requiring larger configuration memories, cascaded SCPs provide additional memory. After the last bit from the first SCP is read, the next clock signal to the SCP asserts its  $\overline{CE}$  output Low and disables its DATA line. The second SCP recognizes the Low level on its  $\overline{CE}$  input and enables its DATA output. See Figure 2.

After configuration is complete, the address counters of all cascaded SCPs are reset if the LCA RESET pin goes Low, assuming the SCP reset polarity option has been inverted.

If the address counters are not to be reset upon completion, then the RESET/ $\overline{OE}$  inputs can be tied to ground, as shown in Figure 3. To reprogram the LCA device with another program, the D/P line goes Low and configuration begins where the address counters had stopped. In this case, avoid contention between DATA and the configured I/O use of DIN.

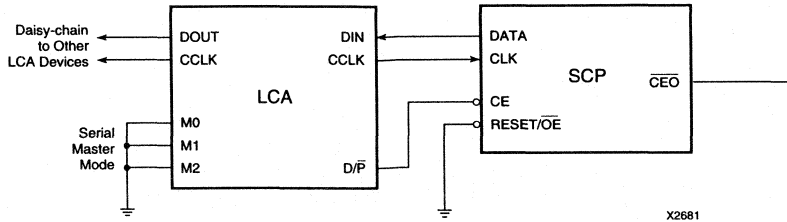
Extremely large, cascaded memories in some systems may require additional logic if the rippled chip enable is too slow to activate successive SCPs.



X3184

**Figure 2. Master Serial Mode.** The one-time-programmable Serial Configuration PROM supports automatic loading of configuration programs. Multiple devices can be cascaded to support additional LCA devices. An early D/P inhibits the PROM data output one CCLK cycle before the LCA I/Os become active.





- Notes:
1. If M2 is tied directly to ground, it should be programmed as an input during operation.
  2. If the LCA is reset during configuration, it will abort back to initialization state. D/P will not go High, so an external signal is required to reset the XC17XX counters.

**Figure 3. Address Counters Not Reset at the End of Configuration**

### Standby Mode

The PROM enters a low-power standby mode whenever  $\overline{CE}$  is asserted High. In this mode, the SCP consumes less than 0.5 mA of current. The output remains in a high-impedance state regardless of the state of the OE input.

### Programming the XC17000 Family Serial PROMs

The devices can be programmed on programmers supplied by Xilinx or other qualified third-party vendors. The user must ensure that the appropriate programming algorithm and voltage are used. Different product types use different algorithms and voltages, and the wrong choice can permanently damage the device.

## XC1718D, XC1736D, XC1765D, XC17128

## Absolute Maximum Ratings

Symbol	Description		Units
V <sub>CC</sub>	Supply voltage relative to GND	-0.5 to +7.0	V
V <sub>PP</sub>	Supply voltage relative to GND: XC1718D, XC1736D, XC1765D	-0.5 to +12.5	V
	Supply voltage relative to GND: XC17128	-0.5 to +15.5	V
V <sub>IN</sub>	Input voltage relative to GND	-0.5 to V <sub>CC</sub> +0.5	V
V <sub>TS</sub>	Voltage applied to 3-state output	-0.5 to V <sub>CC</sub> +0.5	V
T <sub>STG</sub>	Storage temperature (ambient)	-65 to +125	°C
T <sub>SOL</sub>	Maximum soldering temperature (10 s @ 1/16 in.)	+260	°C

Note: Stresses beyond those listed under Absolute Maximum Ratings may cause permanent damage to the device. These are stress ratings only, and functional operation of the device at these or any other conditions beyond those listed under Operating Conditions is not implied. Exposure to Absolute Maximum Ratings conditions for extended periods of time may affect device reliability.

## Operating Conditions

Symbol	Description		Min	Max	Units
V <sub>CC</sub>	Commercial	Supply voltage relative to GND -0 °C to +70°C	4.75	5.25	V
	Industrial	Supply voltage relative to GND -40°C to +85°C	4.5	5.5	V
	Military	Supply voltage relative to GND -55°C to +125°C	4.5	5.5	V

## DC Characteristics Over Operating Condition

Symbol	Description		Min	Max	Units
V <sub>IH</sub>	High-level input voltage		2.0	V <sub>CC</sub>	V
V <sub>IL</sub>	Low-level input voltage		0	0.8	V
V <sub>OH</sub>	High-level output voltage (I <sub>OH</sub> = -4 mA)	Commercial	3.86		V
V <sub>OL</sub>	Low-level output voltage (I <sub>OL</sub> = +4 mA)			0.32	V
V <sub>OH</sub>	High-level output voltage (I <sub>OH</sub> = -4 mA)	Industrial	3.76		V
V <sub>OL</sub>	Low-level output voltage (I <sub>OL</sub> = +4 mA)			0.37	V
V <sub>OH</sub>	High-level output voltage (I <sub>OH</sub> = -4 mA)	Military	3.7		V
V <sub>OL</sub>	Low-level output voltage (I <sub>OL</sub> = +4 mA)			0.4	V
I <sub>CCA</sub>	Supply current, active mode			10	mA
I <sub>CCS</sub>	Supply current, standby mode			0.5	mA
I <sub>L</sub>	Input or output leakage current		-10	10	μA

Note: During normal read operation V<sub>PP</sub> *must* be connected to V<sub>CC</sub>

## XC1718L and XC1765L

### Absolute Maximum Ratings

Symbol	Description		Units
$V_{CC}$	Supply voltage relative to GND	-0.5 to +6.0	V
$V_{PP}$	Supply voltage relative to GND	-0.5 to +12.5	V
$V_{IN}$	Input voltage with respect to GND	-0.5 to $V_{CC} + 0.5$	V
$V_{TS}$	Voltage applied to 3-state output	-0.5 to $V_{CC} + 0.5$	V
$T_{STG}$	Storage temperature (ambient)	-65 to +125	°C
$T_{SOL}$	Maximum soldering temperature (10 s @ 1/16 in.)	+260	°C

Note: Stresses beyond those listed under Absolute Maximum Ratings may cause permanent damage to the device. These are stress ratings only, and functional operation of the device at these or any other conditions beyond those listed under Operating Conditions is not implied. Exposure to Absolute Maximum Ratings conditions for extended periods of time may affect device reliability.

### Operating Conditions

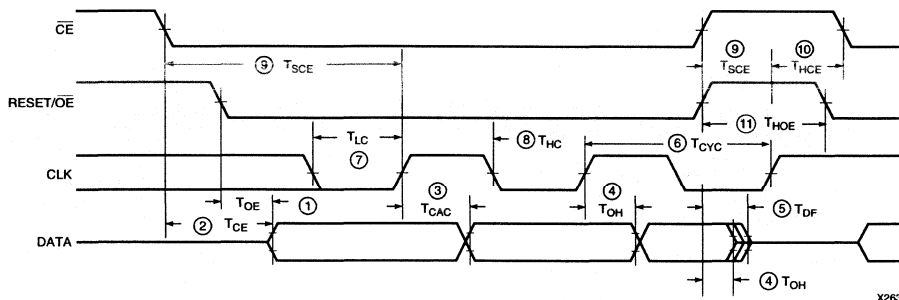
Symbol	Description		Min	Max	Units
$V_{CC}$	Commercial	Supply voltage relative to GND -0 °C to +70°C	3.0	3.6	V
	Industrial	Supply voltage relative to GND -40°C to +85°C	3.0	3.6	V
	Military	Supply voltage relative to GND -55°C to +125°C	3.0	3.6	V

### DC Characteristics Over Operating Condition

Symbol	Description	Min	Max	Units
$V_{IH}$	High-level input voltage	2.0	$V_{CC}$	V
$V_{IL}$	Low-level input voltage	0	0.8	V
$V_{OH}$	High-level output voltage ( $I_{OH} = -4$ mA)	2.4		V
$V_{OL}$	Low-level output voltage ( $I_{OL} = +4$ mA)		0.4	V
$I_{CCA}$	Supply current, active mode		5	mA
$I_{CCS}$	Supply current, standby mode		0.5	mA
$I_L$	Input or output leakage current	-10	10	μA

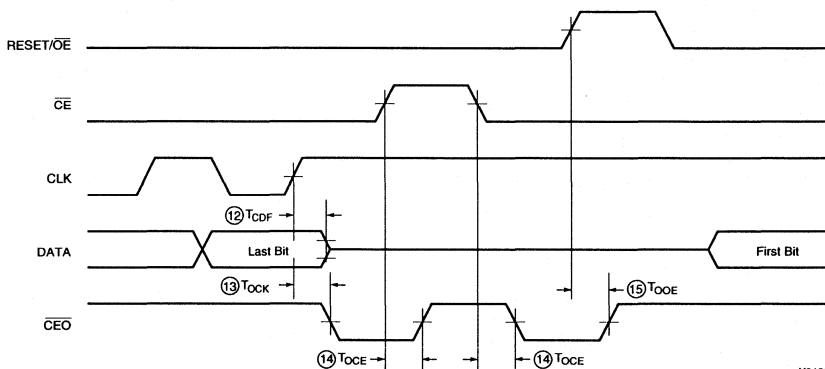
Note: During normal read operation  $V_{PP}$  *must* be connected to  $V_{CC}$

AC Characteristics Over Operating Conditions



X2634

Symbol	Description	XC1718D, XC1736D, XC1765D		XC1718L, XC1765L		XC17128		Units
		Min	Max	Min	Max	Min	Max	
1	T <sub>HOE</sub>		45		45		50	ns
2	T <sub>CE</sub>		60		60		50	ns
3	T <sub>CAC</sub>		150		200		60	ns
4	T <sub>OH</sub>	0		0		0		ns
5	T <sub>DF</sub>		50		50		50	ns
6	T <sub>CYC</sub>	200		400		100		ns
7	T <sub>LC</sub>	100		100		25		ns
8	T <sub>HC</sub>	100		100		25		ns
9	T <sub>SCE</sub>	25		40		25		ns
10	T <sub>HCE</sub>	0		0		0		ns
11	T <sub>HOE</sub>	100		100		20		ns



X3183

Symbol	Description	XC1718D, XC1736D, XC1765D		XC1718L, XC1765L		XC17128		Units
		Min	Max	Min	Max	Min	Max	
12	T <sub>CDF</sub>		50		50		50	ns
13	T <sub>Ock</sub>		65		65		40	ns
14	T <sub>OCE</sub>		45		45		40	ns
15	T <sub>OOE</sub>		40		40		45	ns

- Notes:
1. AC test load = 50 pF
  2. Float delays are measured with minimum tester ac load and maximum dc load.
  3. Guaranteed by design, not tested.
  4. All ac parameters are measured with V<sub>IL</sub> = 0.0 V and V<sub>IH</sub> = 3.0 V.

## Ordering Information

### XC17128 - PC20 C

Device Number

Operating Range/Processing  
 C = Commercial/Industrial (-40° to + 85°C)  
 M = Military (-55° to + 125°C)

Package Type

PD8 = 8-Pin Plastic DIP  
 DD8 = 8-Pin CerDIP  
 PC20 = 20-Pin Plastic Leaded Chip Carrier

Valid Ordering Combinations

XC17128PD8C
XC17128DD8M
XC17128PC20C

X3179

### XC17XXX - PC20 C

Device Number

XC1718D  
 XC1718L  
 XC1736D  
 XC1765D  
 XC1765L

Operating Range/Processing  
 C = Commercial (0° to + 70°C)  
 I = Industrial (-40° to + 85°)  
 M = Military (-55° to + 125°C)  
 R = Military (-55° to + 125°C) with  
 MIL-STD-883 Level B Equivalent  
 Processing

Package Type

PD8 = 8-Pin Plastic DIP  
 DD8 = 8-Pin CerDIP  
 SO8 = 8-Pin Plastic Small-Outline Package  
 PC20 = 20-Pin Plastic Leaded Chip Carrier

X3180

## Valid Ordering Combinations

XC1718DPD8C XC1718DPD8I XC1718DSO8C XC1718DSO8I XC1718DPC20C XC1718DPC20I	XC1736DPD8C XC1736DPD8I XC1736DSO8C XC1736DSO8I XC1736DPC20C XC1736DPC20I XC1736DDD8M	XC1765DPD8C XC1765DPD8I XC1765DSO8C XC1765DSO8I XC1765DPC20C XC1765DPC20I XC1765DDD8M XC1765DDD8R	XC1718LPD8C XC1718LPD8I XC1718LSO8C XC1718LSO8I XC1718LPC20C XC1718LPC20I	XC1765LPD8C XC1765LPD8I XC1765LSO8C XC1765LSO8I XC1765LPC20C XC1765LPC20I XC1765LDD8M
--	---	--	--	---

X3181

## Marking Information

Due to the small size of the serial PROM package, the complete ordering part number cannot be marked on the package. The XC prefix is deleted and the package code is simplified. Device marking is as follows.

### 17XXX P C

Device Number

XC1718D  
 XC1718L  
 XC1736D  
 XC1765D  
 XC1765L

Operating Range/Processing  
 C = Commercial (0° to + 70°C)  
 I = Industrial (-40° to + 85°)  
 M = Military (-55° to + 125°C)

Package Type Code

P = 8-Pin Plastic DIP  
 D = 8-Pin CerDIP  
 S = 8-Pin Plastic Small-Outline Package  
 J = 20-Pin Plastic Leaded Chip Carrier

X3182



**1 Programmable Logic Devices**

**2 FPGA Product Descriptions and Specifications**

**3 *EPLD Product Descriptions and Specifications***

**4 Packages and Thermal Characteristics**

**5 Quality, Testing and Reliability**

**6 Technical Support**

**7 Development Systems**

**8 Applications**

**9 The Best of XCELL**

**10 Index, Sales Offices**

---







# EPLD Product Descriptions and Specifications

---

Overview – XC7200/XC7300 .....	3-2
Overview – XC7200 .....	3-4
XC7236/XC7236A Programmable Logic Device .....	3-5
XC7272A Programmable Logic Device .....	3-21
Overview – XC7300 .....	3-40
XC7300 EPLD Family .....	3-41
XC73108 Programmable Logic Device .....	3-49

---

## Overview

In the XC7200 and XC7300 devices, Xilinx offers two evolutionary and compatible generations of Erasable Programmable Logic Devices (EPLDs). Xilinx EPLDs combine the advantages of LSI-high-level of integrations, small size, low cost, high-reliability – with the user's need to create applications-specific circuits, without incurring the cost, delay, and risk of mask-programmable gate arrays.

Every Xilinx EPLD provides multiple programmable logic structures, called Function Blocks (FBs), interconnected together through an unrestricted Universal Interconnect Matrix (UIM). Each FB contains nine Macrocells driven by a programmable AND/OR array. Any device input and any Macrocell output can be connected to the input of any other Macrocell. This unrestricted programmable interconnect structure, combined with the familiar and/or logic of the traditional PAL architecture, make EPLDs easy to use and easy to understand; and it completely eliminates the issue of routability.

The delay through a device is not only predictable, but also constant. Any function that can be implemented in one Function Block will run at the specified device speed.

The EPLD devices are based on a state-of-the-art CMOS EPROM technology; they are 100% tested before shipment.

Special test modes of operation are provided in the circuit to load any architectural-bit configuration into internal shift registers without having to program the EPROM array. Also, any logic signal path can be established through the blank EPROM arrays to test functionality and speed of every possible application.

The EPROM cell array is 100% tested in the factory for programmability, data retention and ultraviolet-light erasability (for devices with quartz-windowed package).

The combined result of all above testing methods is 100% fault coverage guaranteed by factor testing of the uncommitted device.

The devices are fully tested against all ac and dc operating limits. The MOS transistors in every gate are electrically tested and stressed before shipment.

In addition to the built-in self-test and self-stress features, Xilinx EPLDs receive in-line production high-temperature-bake stress to weed out products with unacceptable data retention. Finally, all devices receive in-line dynamic functional burn-in stress to weed out any device posing an infant-mortality hazard.



# XC7200 EPLD Family

## *Table of Contents*

Overview .....	3-4
Component Availability .....	3-4
<b>XC7236/XC7236A Programmable Logic</b>	
Devices .....	3-5
Architectural Overview .....	3-5
Programming and Using the XC7236/A .....	3-10
Absolute Maximum Ratings .....	3-11
Operating Conditions .....	3-11
DC Characteristics Over Operating Conditions ..	3-11
AC Timing Requirements .....	3-12
Propagation Delays .....	3-13
Incremental Parameters .....	3-14
Power-up/Reset Timing Parameters .....	3-14
Timing and Delay Path Specifications .....	3-15
44-Pin LCC Pinouts .....	3-20
Ordering Information .....	3-20
<b>XC7272A Programmable Logic Devices .....</b>	
Architectural Overview .....	3-21
Programming and Using the XC7272A .....	3-26
Absolute Maximum Ratings .....	3-27
Operating Conditions .....	3-27
DC Characteristics Over Operating Conditions ..	3-27
AC Timing Requirements .....	3-28
Propagation Delays .....	3-29
Incremental Parameters .....	3-30
Power-up/Reset Timing Parameters .....	3-30
Timing and Delay Path Specifications .....	3-31
68-Pin LCC and 84-Pin LCC and PGA Pinouts ..	3-36
Ordering Information .....	3-36

## Overview

Introduced in 1992, the XC7200 family has been an attractive complement to FPGAs, offering predictable timing and simpler development tools. In 1993, Xilinx introduced a redesign to a sub-micron process providing higher performance and a guaranteed cycle time of 60 MHz.

The Xilinx XC7200 family offers three outstanding advantages over competing EPLDs.

- Each device contains dedicated high-speed arithmetic carry logic for efficient implementation of fast adders, subtractors, accumulators, and magnitude comparators.

- Unrestricted Universal Interconnect Matrix (UIM) for guaranteed interconnect of all internal logic resources.
- Each programmable input structure can be configured as either direct, latched, or registered in a flip-flop.

The XC7236, XC7236A and XC7272A product nomenclature emphasizes the number of Macrocells in each device. As the name implies, the XC7236/A has 36 Macrocells, and the XC7272A has 72 Macrocells.

	XC7236/A	XC7272A
Number of Macrocells	36	72
Number of Function Blocks	4	8
Number of inputs to each Function Block	24	21
Number of product terms per Function Block	57	57
Total number of available product terms	228	456
Maximum number of p-terms available per Macrocell logic function	17	16
Total number of signal pins (input, output, I/O) (largest package)	36	72
Maximum number of pins available for input (largest package)	32	54
Maximum number of pins available for output (largest package)	34	60

## Component Availability

PINS	44		68		84			100				144		160
	PLAST. PLCC	CERAM. CLCC	PLAST. PLCC	CERAM. CLCC	PLAST. PLCC	CERAM. CLCC	CERAM. PGA	PLAST. PQFP	PLAST. TQFP	PLAST. VQFP	TOP-BRAZED CQFP	PLAST. TQFP	CERAM. PGA	PLAST. PQFP
CODE	PC44	WC44	PC68	WC68	PC84	WC84	PG84	PQ100	TQ100	VQ100	CB100	TQ144	PG144	PQ160
XC7236	-30	C I	C I											
	-25	C I	C I											
XC7272	-30			C I	C I	C I	C I	C I						
	-25			C I	C I	C I	C I	C I						
XC7236A	-25	(C I)	(C I)											
	-20	C I	C I											
XC7272A	-16	C I	C I											
	-25			(C I)	(C I)	(C I)	(C I)	(C I)						
XC7272A	-20			(C I)	(C I)	(C I)	(C I)	(C I)						
	-16			(C I)	(C I)	(C I)	(C I)	(C I)						
XC7354	-20	(C I)	(C I)	(C I)	(C I)									
	-15	(C I)	(C I)	(C I)	(C I)									
	-12	(C I)	(C I)	(C I)	(C I)									
XC7372	-20			(C I)	(C I)	(C I)	(C I)	(C I)						
	-15			(C I)	(C I)	(C I)	(C I)	(C I)						
XC73108	-12													
	-20						C I	C I					C I	(C I)
XC73108	-15						C I	C I					C I	(C I)
	-12						C I	C I					C I	(C I)

C = Commercial = 0° to +70° C      I = Industrial = -40° to +85° C  
 Parenthesis indicate future product plans

## Preliminary Product Specifications

### Features

- Second-Generation High Density Programmable Logic Device
- UV-erasable CMOS EPROM technology
- 36 Macrocells, grouped into four Function Blocks, interconnected by a programmable Universal Interconnect Matrix (UIM)
- Each Function Block contains a programmable AND-array with up to 24 complementary inputs, providing up to 17 product terms per Macrocell
- Enhanced logic features:
  - Arithmetic Logic Unit in each Macrocell
  - Dedicated fast carry network between Macrocells
  - Wide AND capability in the Universal Interconnect Matrix
- Identical timing for all interconnect paths and for all Macrocell logic paths
- 36 signal pins:  
30 I/O, 2 inputs, 4 outputs
- Each input is programmable:  
Direct, latched, or registered
- I/O Operation at 3.3 V or 5 V
- Meets JEDEC Standard (8-1A) for  $3.3\text{ V} \pm 0.3\text{ V}$
- Three high-speed, low-skew global clock inputs
- 44-pin plastic and windowed ceramic leaded chip carrier packages

### General Description

The XC7236 is a second-generation High Density Programmable Logic Device that combines the classical features of the PAL-like EPLD architecture with innovative systems-oriented logic enhancements. This favors the implementation of fast state machines, large synchronous counters and fast arithmetic, as well as multi-level general-purpose logic. Performance, measured in achievable system clock rate and critical delays, is not only predictable, but independent of physical logic mapping, interconnect routing, and resource utilization. Performance, therefore, remains invariant between design iterations. The propagation delay through interconnect and logic is constant for any function implemented in any one of the output Macrocells.

The functional versatility of the traditional programmable logic array architecture is enhanced through additional

gating and control functions available in an Arithmetic Logic Unit (ALU) in each Macrocell. Dedicated fast arithmetic carry lines running directly between adjacent Macrocells and Function Blocks support fast adders, subtractors and comparators of any length up to 36 bits.

This additional ALU in each Macrocell can generate any combinatorial function of two sums of products, and it can generate and propagate arithmetic-carry signals between adjacent Macrocells and Functional Blocks.

The Universal Interconnect Matrix (UIM) facilitates unrestricted, fixed-delay interconnects from all device inputs and Macrocell outputs to any Function Block AND-array input. The UIM can also perform a logical AND across any number of its incoming signals on the way to any Function Block, adding another level of logic without additional delay. This supports bidirectional loadable synchronous counters of any size up to 36 bits, operating at the specified maximum device frequency

As a result of these logic enhancements, the XC7236 can deliver high performance even in designs that combine large numbers of product terms per output, or need more layers of logic than AND-OR, or need a wide AND function in some of the product terms, or perform wide arithmetic functions.

Automated design mapping is supported by Xilinx development software based on design capture using third-party schematic entry tools, PLD compilers or direct text-based equation files. Design mapping is completed in a few minutes on a PC.

### Architectural Overview

Figure 1 shows the XC7236 structure. Four Function Blocks (FBs) are all interconnected by a central Universal Interconnect Matrix (UIM). Each FB receives 21 signals from the UIM and each FB produces nine signals back into the UIM. All device inputs are also routed via the UIM to all Function Blocks. Each FB contains nine output Macrocells (MCs) that draw from a programmable AND array driven by the 21 signals from the UIM. Most Macrocells drive a 3-state chip output; all feed back into the UIM.

The device also contains six dedicated FastCompare and FastDecode logic paths for address compare, decode or gating functions. The following pages describe the elements of this architecture in detail.

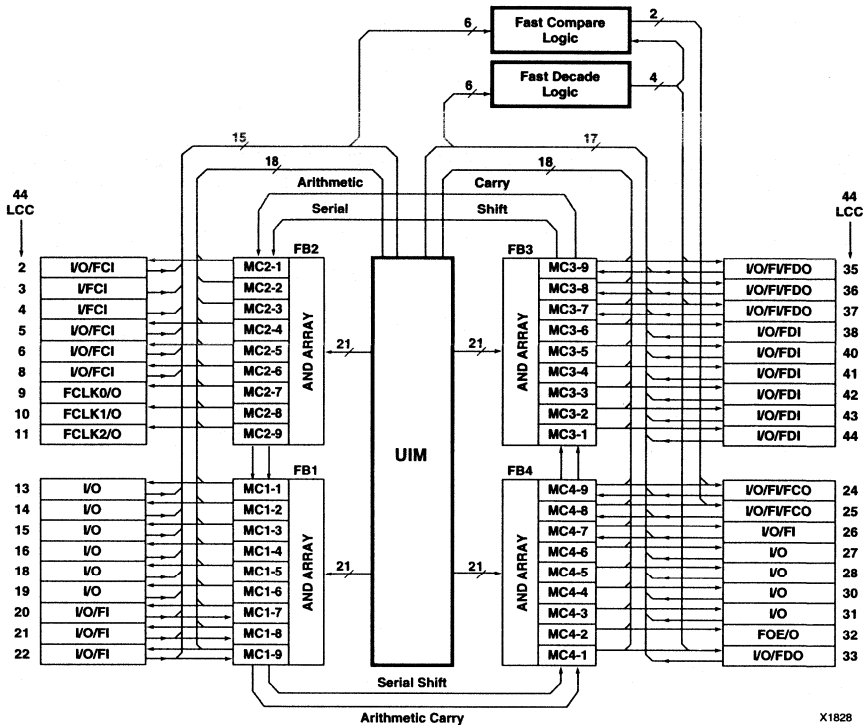


Figure 1. XC7236 Architecture

**Function Blocks and Macrocells**

The XC7236 contains 36 Macrocells with identical structure, grouped into four Function Blocks of nine Macrocells each. Each Macrocell is driven by product terms derived from a programmable AND array in the Function Block. The AND array in each Function Block receives 21 signals and their complements from the UIM. In three Function Blocks, the AND array receives three additional inputs and their complements directly from FastInput (FI) pins, thus offering faster logic paths.

Five product terms are private to each Macrocell; an additional 12 product terms are shared among the nine Macrocells in each Function Block. Four of the private product terms can be selectively ORed together with up to four of the shared product terms, and drive the D1 input to the Arithmetic Logic Unit. The other input, D2, to the ALU is driven by the OR of the fifth private product term and up to eight of the remaining shared product terms.

As a programmable option, four of the private product terms can be used for other purposes. One of the private product terms can be used as a dedicated clock for the flip-flop in the Macrocell. (See the subsequent description of other clocking options.) Another one of the private product terms can be the asynchronous active-High Reset of the Macrocell flip-flop, another one can be the asynchronous active-High Set of the Macrocell flip-flop, and another one can be the Output Enable signal.

As a configuration option, the Macrocell output can be fed back and ORed into the D2 input to the ALU after being ANDed with three of the shared product terms, to implement counters and toggle flip-flops.

The Arithmetic Logic Unit has two programmable modes: In the *logic mode*, it is a 2-input function generator, a 4-bit look-up table, that can be programmed to generate any Boolean function of its two inputs. It can OR them, widening the OR function to max 17 inputs; it can AND them, which means that one sum of products can be used to mask the other; it can XOR them, toggling the flip-flop or comparing the two sums of products. Either or both of the sum-of-product inputs to the ALU can be inverted, and either or both can be ignored. The ALU can implement one additional layer of logic without any speed penalty.

In the *arithmetic mode*, the ALU block in each Macrocell can be programmed to generate the arithmetic sum or difference of two operands, combined with a carry signal coming from the next lower Macrocell; it also feeds a carry output to the next higher Macrocell. This carry propagation chain crosses the boundaries between Function Blocks. This dedicated carry chain overcomes the inherent speed and density problems of the traditional EPLD architecture, when trying to perform arithmetic functions.

The ALU output drives the D input of the Macrocell flip-flop. Each flip-flop has several programmable options. One option is to eliminate the flip-flop by making it transparent, which makes the Q output identical with the D input, independent of the clock. Otherwise, the flip-flop operates in the conventional manner, triggered by the rising edge on its clock input.

The clock source is programmable: It is either the dedicated product term mentioned earlier, or it is one of two global FastCLK signals (FLCK0 or FLCK1) that are distributed with short delay and minimal skew over the whole chip.

The asynchronous Set and Reset (Clear) inputs override the clocked operation. If both asynchronous inputs are active simultaneously, Reset overrides Set. Upon power-up, each Macrocell flip-flop can be preloaded with either 0 or 1.

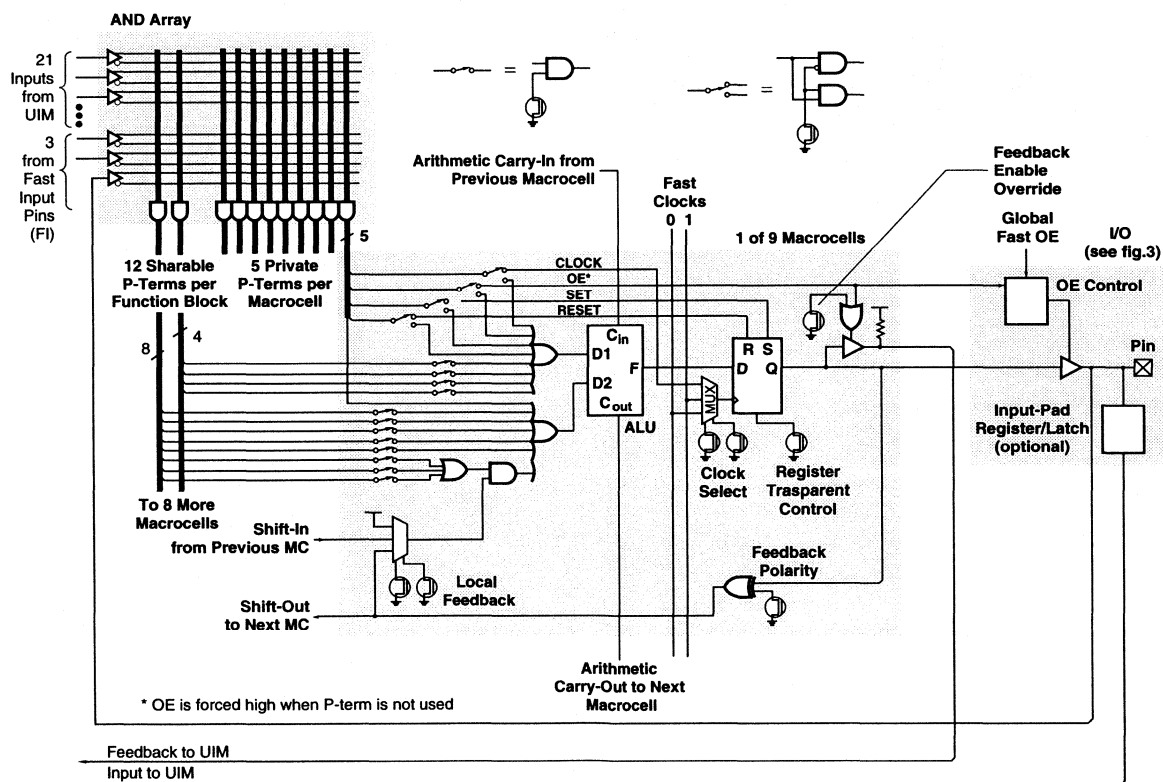


Figure 2. Function Block and Macrocell Schematic

In addition to driving a chip output pin, the Macrocell output is also routed back as an input to the UIM. One private product term can be configured to control the Output Enable of the output pin driver and/or the feedback to the UIM. If configured to control UIM feedback, then when the OE product-term is de-asserted, the UIM feedback line is forced High and thus disabled.

**Outputs**

Thirty-four of the 36 Macrocell drive chip outputs directly through individually programmable inverters followed by 3-state output buffers; each can be individually controlled by the Output Enable product term mentioned above. An additional configuration option disables the output permanently. One dedicated FastOE input can also be configured to control any of the chip outputs instead of or in conjunction with the individual OE product term.

**Inputs**

Each signal input to the chip is programmable as either direct, latched, or registered in a flip flop. Latch and flip-flop can be programmed with either of two FastCLK signals as latch enable or clock. The two FastCLK signals are FCLK0 and a global choice of either FCLK1 or FCLK2. Latches are transparent when FastCLK is High, and flip-flops clock on the rising edge of FastCLK. Registered inputs allow high system clock rates by pipelining the inputs before they incur the combinatorial delay in the device, provided the one-clock-period pipeline latency is acceptable.

The direct, latched, or registered inputs then drive the UIM. There is no propagation-delay difference between pure inputs and I/O inputs.

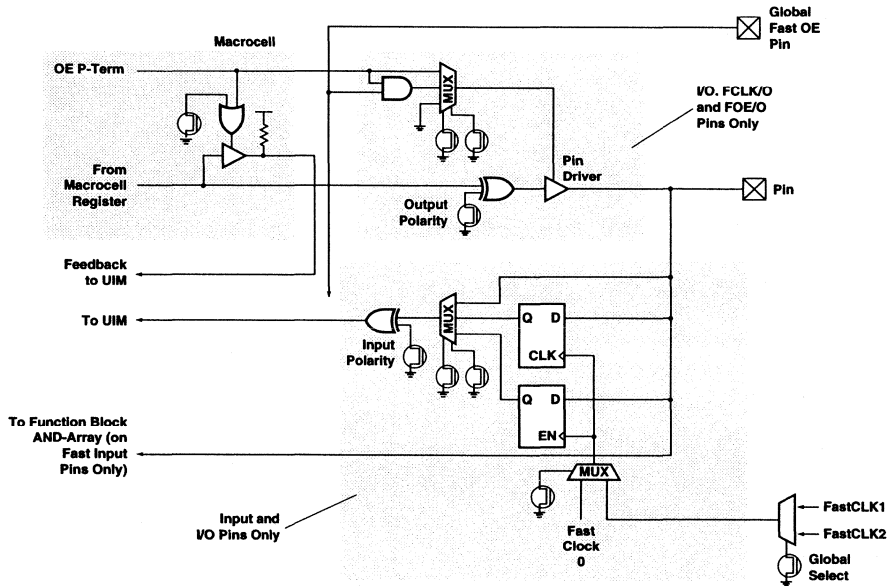
**3.3 V or 5 V Interface configuration**

The XC7236 can be used in systems with two different supply voltages, 5 V or 3.3 V. The device has separate  $V_{CC}$  connections to the internal logic and input buffers ( $V_{CCINT}$ ) and to the I/O output drivers ( $V_{CCIO}$ ).  $V_{CCINT}$  is always connected to a nominal +5 V supply, but  $V_{CCIO}$  may be connected to either +5 V or +3.3 V, depending on the output interface requirement.

When  $V_{CCIO}$  is connected to +5 V, the input thresholds are TTL levels, and thus compatible with 5 V or 3.3 V logic, and the output high levels are compatible with 5 V systems. When  $V_{CCIO}$  is connected to 3.3 V, the input thresholds are still TTL levels, and the outputs pull up to the 3.3 V rail. This makes the XC7236 and XC7236A ideal for interfacing directly to 3.3 V components. In addition, the output structure is designed such that the I/O can also safely interface to a mixed 3.3-V or 5-V bus.

**Universal Interconnect Matrix**

The UIM receives 68 inputs: 36 from the Macrocell feedbacks, 30 from bidirectional I/O pins, and 2 from dedicated input pins. Acting as an unrestricted crossbar switch, the UIM generates 84 output signals, 21 to each Function Block.



X1833

Figure 3. Input/Output Schematic



Any one of the 68 inputs can be programmed to be connected to any number of the 84 outputs. The delay through the array is constant, independent of the apparent routing distance, the fan-out, fan-in, or routing complexity.

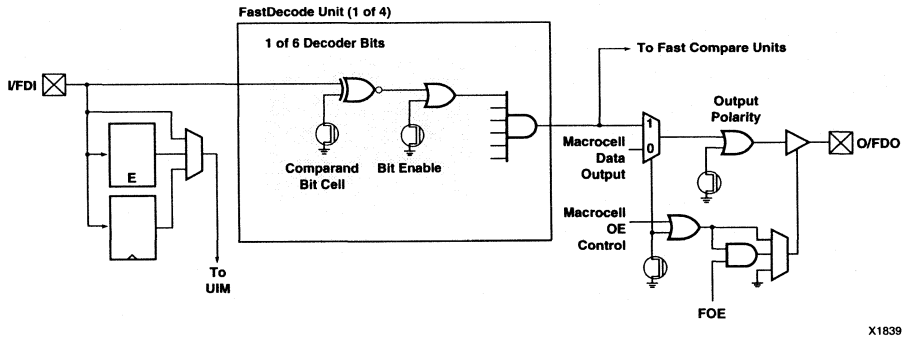
Routability is not an issue: Any UIM input can drive any UIM output or multiple outputs; the delay is constant.

When multiple inputs are programmed to be connected to the same output, this output becomes the AND of the input signals if the levels are interpreted as active High. By choosing the appropriate signal inversion at the input pin, the Macrocell outputs and the Function Block AND-array input, this AND-logic can also be used to implement a NAND, OR, or NOR function, thus offering an additional level of logic without any speed penalty.

A Macrocell feedback signal that is disabled by the output enable product term represents a High input to the UIM. Several such Macrocell outputs programmed onto the same UIM output thus emulate a 3-state bus line. If *one* of the Macrocell outputs is enabled, the UIM output assumes that same level.

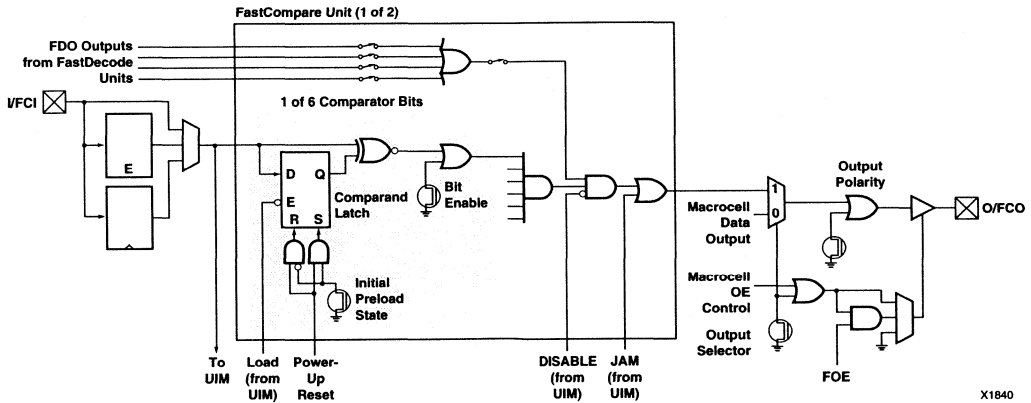
### FastDecode and FastCompare

The FastDecode unit contains four fast programmable 6-bit decoders with a common set of six inputs (FDI). Each decoder compares the data on the inputs against a pre-programmed 6-bit fixed value and drives a designated chip output (FDO). Each decoder is programmable with Don't Care bits, and each can indicate match either active High or Low as a programmable option.



X1839

Figure 4a. FastDecode Schematic



X1840

Figure 4b. FastCompare Schematic

The FastCompare unit contains two fast programmable 6-bit comparators with a common set of six inputs (FCI), separate from the FDI inputs. Each comparator compares the data on the inputs against a pattern stored in its six latches and drives a designated chip output (FCO). Data can be loaded into these latches either from the FastCompare data inputs, or can be preloaded during chip configuration (Power-up or Reset). Each comparator is programmable with Don't Care bits and can be conditioned with the result of one or more of the FastDecode FDO outputs.

The comparison can be disabled (forced false) and the polarity of the match response can be chosen.

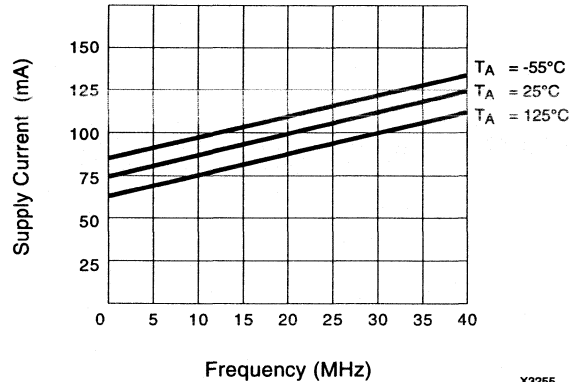
Since this compare circuitry bypasses the UIM and Macrocells, it is very fast and can also be used as high-speed address decoder.

### Programming and Using the XC7236/A

The features and capabilities described above are used by the Xilinx development software to program the device according to the specification given either through schematic entry, or through a behavioral description expressed in Boolean equations.

The user can specify a security bit that prevents any reading of the programming bit map after the device has been programmed and verified.

The device is programmed in a manner similar to an EPROM (ultra-violet light erasable read-only memory) using the Intel Hex format. Programming support is available from a number of programmer manufacturers. The UIM connections and Function Block AND-array connections are made directly by non-volatile EPROM cells. Other control bits are read out of the EPROM array and stored into latches just after power-up. This method, common among EPLD devices, requires either a very fast



x3255

**Typical Power Requirements for XC7236 Configured as Eight 4-bit Counters** ( $V_{CC} = +5.0\text{ V}$ ,  $V_{IN} = 0$  or  $5\text{ V}$ , all outputs open)

$V_{CC}$  rise time ( $<5\ \mu\text{s}$ ) or the application of a master-reset signal delayed at least until  $V_{CC}$  has reached the required operating voltage. The latter can be achieved using a simple capacitor and pull-up resistor on the MR pin (the RC product should be larger than twice the  $V_{CC}$  rise time). The power-up or reset signal initiates a self-timed configuration period lasting about  $350\ \mu\text{s}$  ( $t_{\text{RESET}}$ ), during which all device outputs remain disabled and programmed preload state values are loaded into the Macrocell registers.

Unused input and I/O pins should be tied to ground or  $V_{CC}$  or some valid logic level. This is common practice for all CMOS devices to avoid dissipating excess current through the input-pad circuitry.

The recommended decoupling capacitance on the three  $V_{CC}$  pins should total  $1\ \mu\text{F}$  using high-speed (tantalum or ceramic) capacitors.

## Absolute Maximum Ratings

Symbol	Parameter	Value	Units
$V_{CC}$	Supply voltage relative to GND	-0.5 to 7.0	V
$V_{IN}$	Input voltage with respect to GND	-0.5 to 7.0	V
$V_{TS}$	Voltage applied to 3-state output	-0.5 to 7.0	V
$V_{PP}$	Programming voltage	+14	V
$T_{STG}$	Storage temperature	-65 to + 150	°C
$T_{SOL}$	Maximum soldering temperature (10 s @ 1/16 in. = 1.5 mm)	+ 260	°C

Note: Stresses beyond those listed under Absolute Maximum Ratings may cause permanent damage to the device. These are stress ratings only, and functional operation of the device at these or any other conditions beyond those listed under Operating Conditions is not implied. Exposure to Absolute Maximum Ratings conditions for extended periods of time may affect device reliability.

## Operating Conditions

Symbol	Parameter	Min	Max	Units
$V_{CCINT}$	Supply voltage relative to GND Commercial 0°C to 70°C	4.75	5.25	V
$V_{CCIO}$	Supply voltage relative to GND Industrial -40°C to 85°C	4.5	5.5	V
$V_{CCIO}$	I/O supply voltage -3.3 V	3.0	3.6	V
$V_{IL}$	Low-level input voltage	0	0.8	V
$V_{IH}$	High-level input voltage	2.0	$V_{CC} + 0.3$	V
$V_O$	Output voltage	0	$V_{CCIO}$	V

## DC Characteristics Over Operating Conditions

Symbol	Parameter	Test Conditions	Min	Max	Units
$V_{OH}$	5 V TTL high-level output voltage	I/O = -4.0 mA $V_{CC} = \text{Min}$	2.4		V
	3.3 V high-level output	I/O = -3.2 mA $V_{CC} = \text{Min}$	2.4		V
$V_{OL}$	5 V low-level output voltage	I/O = 12 mA $V_{CC} = \text{Min}$		0.5	V
	3.3 V low-level output voltage	I/O = 10 mA $V_{CC} = \text{Min}$		0.4	V
$I_{IL}$	Input leakage current	$V_{CC} = \text{Max}$ $V_{IN} = \text{GND}$ or $V_{CCIO}$		±10	μA
$I_{OZ}$	Output High-Z leakage current	$V_{CC} = \text{Max}$ $V_O = \text{GND}$ or $V_{CCIO}$		±10	μA
$C_{IN}$	Input capacitance (sample tested)	$V_{IN} = \text{GND}$ f = 1.0 MHz		10	pF

## AC Timing Requirements

Speed Grade			XC7236				XC7236A				Units
			-30		-25		-20		-16		
Description	Fig.	Symbol	Min	Max	Min	Max	Min	Max	Min	Max	
Sequential toggle frequency (with feedback) using FastCLK	5	$f_{CYC}$ (Note 1)	0	33	0	40	0	50	0	60	MHz
Sequential toggle frequency (with feedback) using a Product-Term clock	5	$f_{CYC1}$ (Note 1)	0	33	0	40	0	50	0	60	MHz
Macrocell toggle frequency using local feedback and FastCLK		$f_{CYC4}$ (Note 5)	0	42	0	50	0	50	0	60	MHz
Macrocell register transmission frequency (without feedback) using FastCLK		$f_{CLK}$ (Note 5)	0	36	0	45	0	50	0	60	MHz
Macrocell register transmission frequency (without feedback) using a Product-Term clock		$f_{CLK1}$ (Note 5)	0	36	0	42	0	50	0	60	MHz
Input register transmission frequency (without feedback) using FastCLK		$f_{CLK2}$ (Note 5)	0	42	0	50	0	50	0	60	MHz
Input register to Macrocell register pipeline freq. using FastCLK	6	$f_{CLK3}$ (Note 1)	0	25	0	33	0	40	0	60	MHz
FastCLK Pulse width (High/Low)	10	$t_W$	12		10		8		6		ns
Product-Term clock pulse width (active/inactive)	10	$t_{W1}$	14		12		9		7		ns
Input to Macrocell register set-up time before FastCLK	8	$t_{SU}$	35		29		24		18		ns
Input to Macrocell register hold time after FastCLK	8	$t_H$	-7		-7		-4		-4		ns
Input to Macrocell register set-up time before Product-Term clock	7	$t_{SU1}$ (Note 1)	19		16		14		10		ns
Input to Macrocell register hold time after Product-Term clock	7	$t_{H1}$	0		0		0		0		ns
Input register/latch set-up time before FastCLK	9	$t_{SU2}$	10		8		8		6		ns
Input register/latch hold time after FastCLK	9	$t_{H2}$	0		0		0		0		ns
FastCompare input set-up time before latch-enable input	11	$t_{SU3}$	4		2		2		2		ns
FastCompare input hold time after latch-enable input	11	$t_{H3}$	18		14		14		12		ns
FastCompare input hold time after comparator jam asserted	11	$t_{H4}$	30		25		25		22		ns
FastInput to Macrocell register set-up time before FastCLK		$t_{SU5}$	26		20		18		15		ns
FastInput to Macrocell register hold time after FastCLK		$t_{H5}$	0		0		0		0		ns
Set/reset pulse width (active)	10	$t_{WA}$	15		12		12		10		ns
Set/reset input recovery set-up time before FastCLK	10	$t_{RA}$	36		30		25		20		ns

**AC Timing Requirements (Continued)**

Speed Grade			XC7236				XC7236A				Units
			-30		-25		-20		-16		
Description	Fig.	Symbol	Min	Max	Min	Max	Min	Max	Min	Max	
Set/reset input hold time after FastCLK	10	$t_{HA}$	-5		-5		0		0		ns
Set/reset input recovery time before P-Term clock	10	$t_{RA1}$	18		15		15		12		ns
Set/reset input hold time after P-Term clock	10	$t_{HA1}$	12		9		9		8		ns
Set/reset input hold time after reset/set inactive		$t_{HRS}$	12		10		10		8		ns
FastCompare latch-enable pulse width	10	$t_{WC}$	22		16		16		12		ns

**Propagation Delays**

Speed Grade			XC7236				XC7236A				Units
			-30		-25		-20		-16		
Description	Fig.	Symbol	Min	Max	Min	Max	Min	Max	Min	Max	
FastCLK input to registered output delay	10	$t_{CO}$	5	17	5	14	3	13	3	10	ns
P-Term clock input to registered output delay	10	$t_{CO1}$	10	36	10	30	5	24	5	20	ns
Set/reset input to registered output delay	10	$t_{AO}$	10	48	10	40	5	32	5	25	ns
Input to nonregistered output delay	10	$t_{PD}$ (Note 1)	10	48	10	40	5	32	5	25	ns
FastCompare or FastDecode input to FastCompare output	11	$t_{PDC}$	5	26	5	23	3	23	3	20	ns
FastCompare DISABLE or JAM input to FastCompare output	11	$t_{PDC1}$	5	30	5	25	3	24	3	22	ns
FastDecode data input to FastDecode output delay		$t_{PDC3}$	5	18	5	15	3	15	3	14	ns
Input to output enable	10	$t_{OE}$	10	37	10	32	5	25	5	20	ns
Input to output disable	10	$t_{OD}$	10	37	10	32	5	25	5	20	ns
FastInput to non-registered Macrocell output delay		$t_{PD5}$	10	39	10	31	5	25	5	20	ns
FastInput to output enabled		$t_{OE5}$	5	28	5	23	3	20	3	15	ns
FastInput to output disabled		$t_{OD5}$	5	28	5	23	3	20	3	15	ns
FOE input to output enabled		$t_{FOE}$	5	18	5	15	3	14	3	12	ns
FOE input to output disabled		$t_{FOD}$	5	18	5	15	3	14	3	12	ns

## Incremental Parameters

Speed Grade			XC7236				XC7236A				Units
			-30		-25		-20		-16		
Description	Fig	Symbol	Min	Max	Min	Max	Min	Max	Min	Max	Units
Arithmetic carry delay between adjacent Macrocells	12	$t_{PDT1}$ (Note 2)		1.5		1.2		1.2		1	ns
Arithmetic carry delay through 9 adjacent Macrocells in a Function Block	12	$t_{PDT8}$ (Note 2)		8		6		5		3	ns
Arithmetic carry delay through 10 Macrocells from Macrocell #n to Macrocell #n in next F Block	12	$t_{PDT9}$ (Note 2)		12		9		6		4	ns
Incremental delay from UIM-input (for P-Term clock) to registered Macrocell feedback	13	$t_{COF1}$		14		12		7		5	ns
Incremental delay from FastCLK net to latched/registered UIM-input	13	$t_{COF2}$ (Note 3)		1		1		1		1	ns
Incremental delay from UIM-input to nonregistered Macrocell feedback	13	$t_{PDF}$ (Note 1)		26		22		14		10	ns
Incremental delay from UIM-input (set/reset) to registered Macrocell feedback	13	$t_{AOF}$		26		22		14		10	ns
Incremental delay from UIM-input (used as output-enable/disable) to Macrocell feedback	13	$t_{OEF}$ , $t_{ODF}$		15		14		7		5	ns
Propagation delay through unregistered Input pad (to UIM) plus output pad driver (from Macrocell)	13	$t_{IN} + t_{OUT}$ (Note 4)		22		18		18		15	ns

## Power-up/Reset Timing Parameters

Description	Symbol	Min	Typ	Max	Units
Master Reset input Low pulse width	$t_{WMR}$	100			ns
$V_{CC}$ rise time (if MR not used for power-up)	$t_{RVCC}$ (Note 6)			5	$\mu$ s
Configuration completion time (to outputs operational)	$t_{RESET}$		350	1000	$\mu$ s

- Notes:
- Specifications account for logic paths which use the maximum number of available product terms and the ALU.
  - Arithmetic carry delays are measured as the increase in required set-up time to adjacent Macrocell(s) for an adder with registered outputs.
  - Parameter  $t_{COF2}$  is derived as the difference between the clock period for pipelining input-to-Macrocell registers ( $1/f_{CLK3}$ ) and the non-registered input set-up time ( $t_{SU}$ ).
  - Parameter  $t_{IN}$  represents the delay from an input or I/O pin to a UIM-input (or from a FastCLK pin to the Fast CLK net);  $t_{OUT}$  represents the delay from a Macrocell output (feedback point) to an output or I/O pin. Only the sum of  $t_{IN} + t_{OUT}$  can be derived from measurements, e.g.,  $t_{IN} + t_{OUT} = t_{SU} + t_{CO} - 1/f_{CYC}$ .
  - Not tested but derived from appropriate pulse-widths, set-up time and hold-time measurements.
  - Due to the synchronous operation of the power-up reset and the wide range of ways  $V_{CC}$  can rise to its steady state,  $V_{CC}$  rise *must be* monotonic. Following reset, the Clock, Reset and Set inputs must not be asserted until all applicable input and feedback set-up times are met.

## Timing and Delay Path Specifications

### Introduction to XC7236 Timing

Timing calculations and verification for the XC7236 are straightforward. The delay path consists of three blocks that can be connected in series.

- Input Buffer and associated latch or register
- Logic Resource (UIM, AND-array and Macrocell)
- Three-state Output Buffer

All inputs have the same delay, regardless of fan-out or location. All logic resources have the same delay, regardless of logic complexity, interconnect topology or location on the chip. All outputs have the same delay. The achievable clock rate is, therefore, determined only by the input method (direct, latched or registered) and the number of times a signal passes through the combinatorial logic.

### Timing and Delay Path Descriptions

Figure 5 defines the max clock frequency (with feedback). Any Macrocell output can be fed back to the UIM as an input for the next clock cycle. Figure 6 shows the relevant delay path. The parameters  $f_{CYC}$  and  $f_{CYC1}$  specify the maximum operating frequency for FastCLK and product-term clock operation respectively.

Figure 6 specifies the max operating frequency ( $f_{CLK3}$ ) for pipelined operation between the input registers and the Macrocell registers, using FastCLK.

Figure 7 defines the set-up and hold times from the data inputs to the product-term clock used by the output register.

Figure 8 defines the set-up and hold times from the data inputs to the FastCLK used by the output register.

Figure 9 defines the set-up and hold times from the data input to the FastCLK used in an input register.

Figure 10 shows the waveforms for the Macrocell and control paths.

Figure 11 defines the FastCompare timing parameters.

Figure 12 defines the carry propagation delays between Macrocells and between Function Blocks. The parameters describe the delay from the CIN, D1 and D2 inputs of a Macrocell ALU to the CIN input of the adjacent Macrocell ALU. These delays must be added to the standard Macrocell delay path ( $t_{PD}$  or  $t_{SU}$ ) to determine the performance of an arithmetic function.

Figure 13 defines the incremental parameters for the standard Macrocell logic paths. These incremental parameters are used in conjunction with pin-to-pin parameters when calculating compound logic path timing. Incremental parameters are derived indirectly from other pin-to-pin measurement.

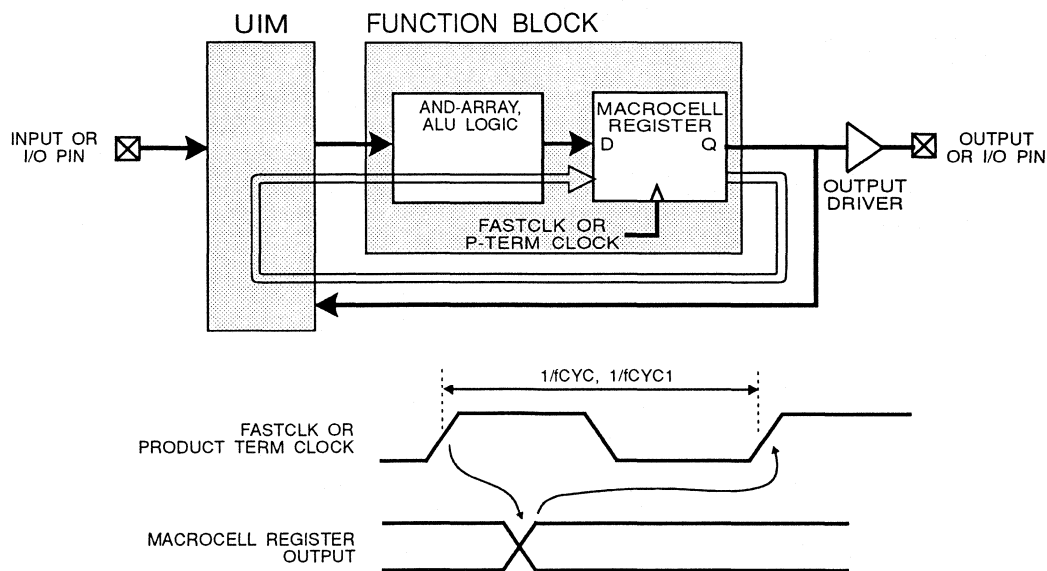


Figure 5. Delay Path Specifications for  $f_{CYC}$  and  $f_{CYC1}$

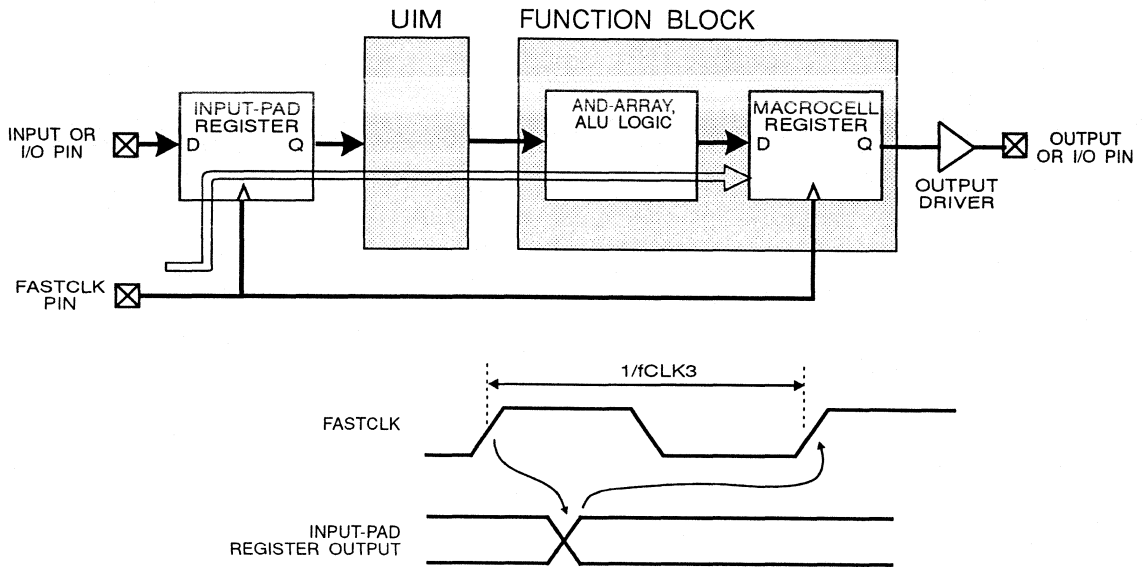


Figure 6. Delay Path Specification for  $f_{CLK3}$

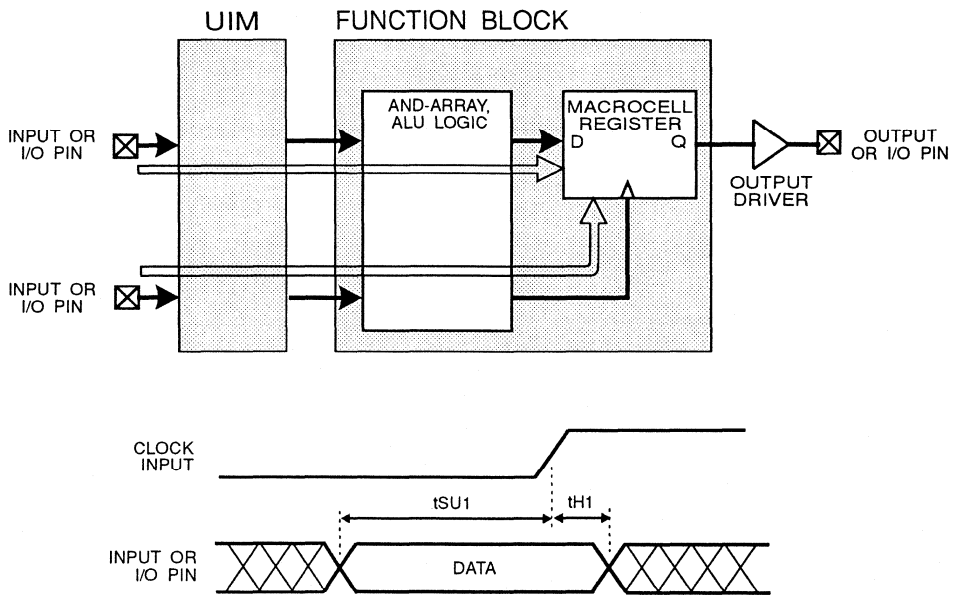


Figure 7. Delay Path Specification for  $t_{SU1}$  and  $t_{H1}$



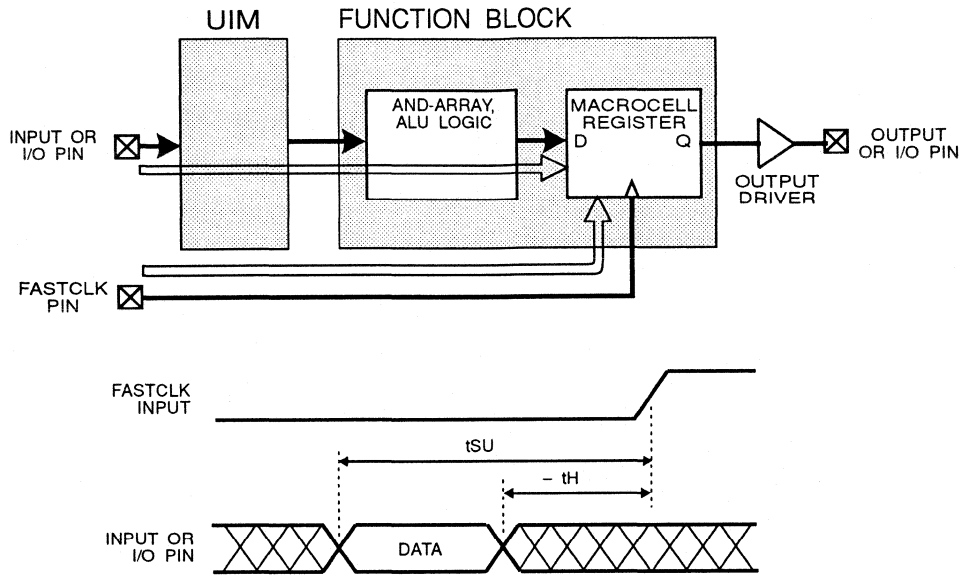


Figure 8. Delay Path Specification for  $t_{SU}$  and  $t_H$

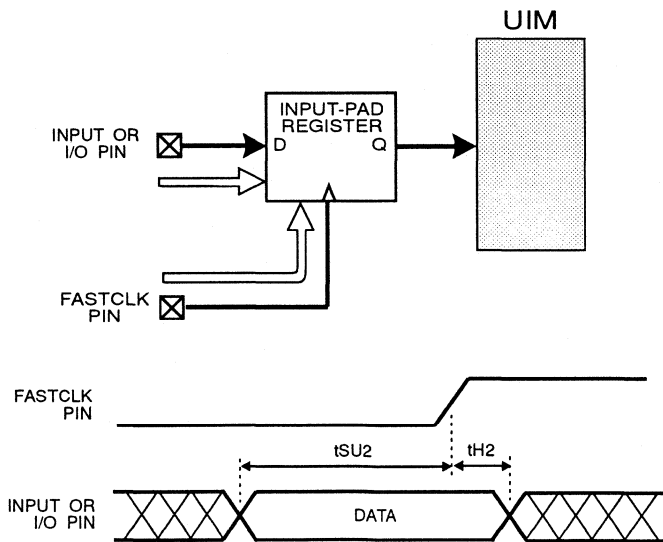


Figure 9. Delay Path Specification for  $t_{SU2}$  and  $t_{H2}$

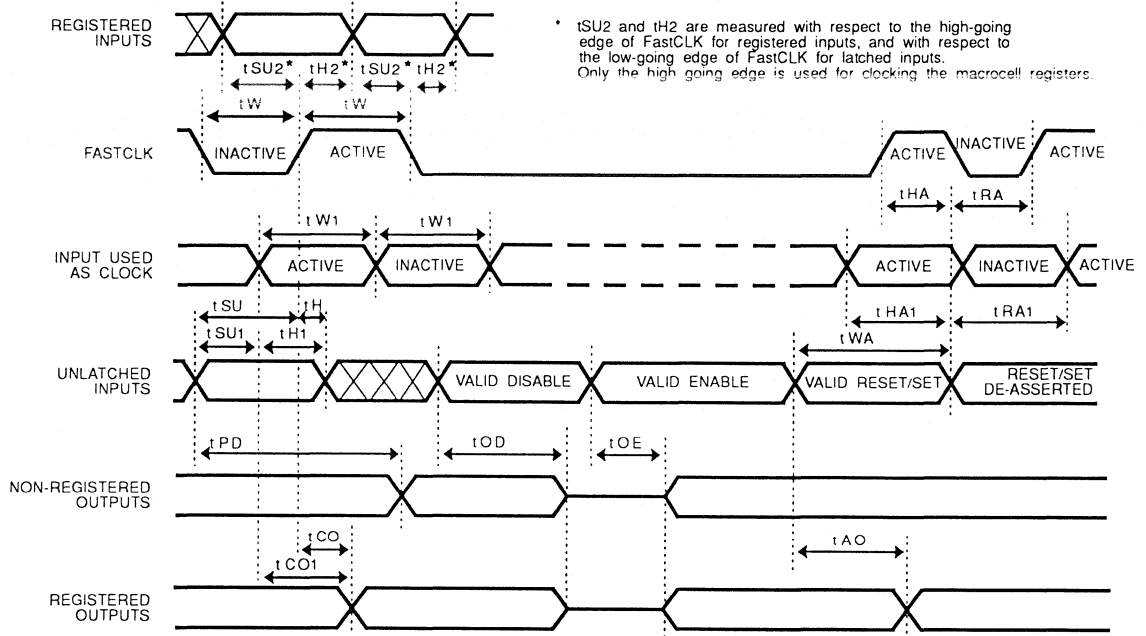


Figure 10. Principal Pin-to-Pin Measurements

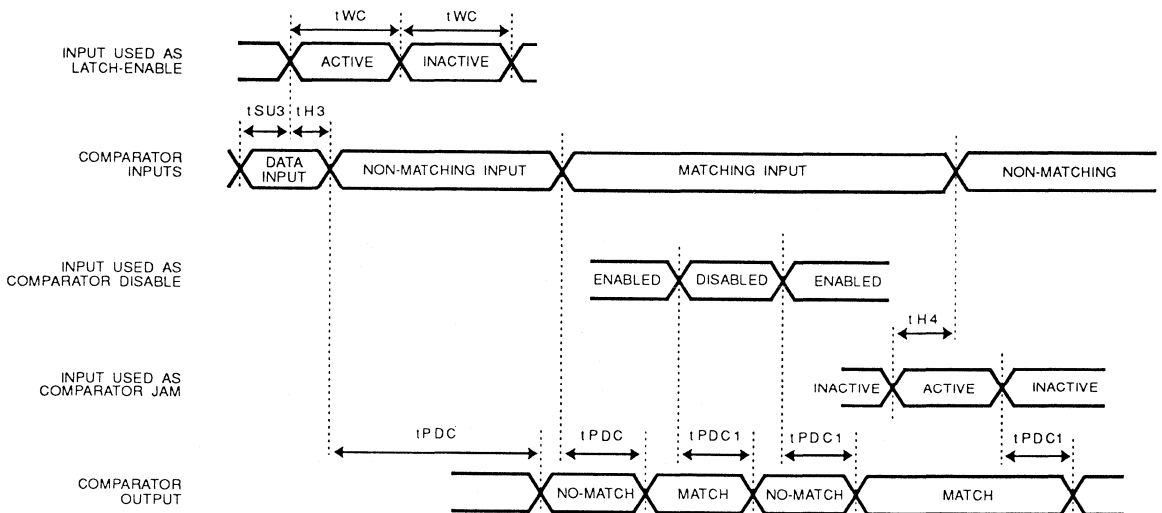


Figure 11. FastCompare Timing Waveforms

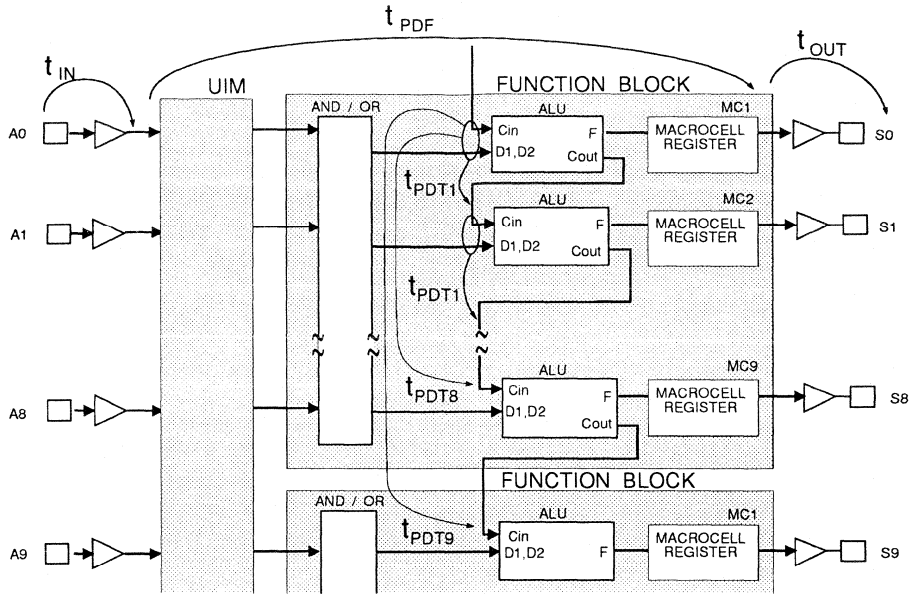


Figure 12. Arithmetic Timing Parameters

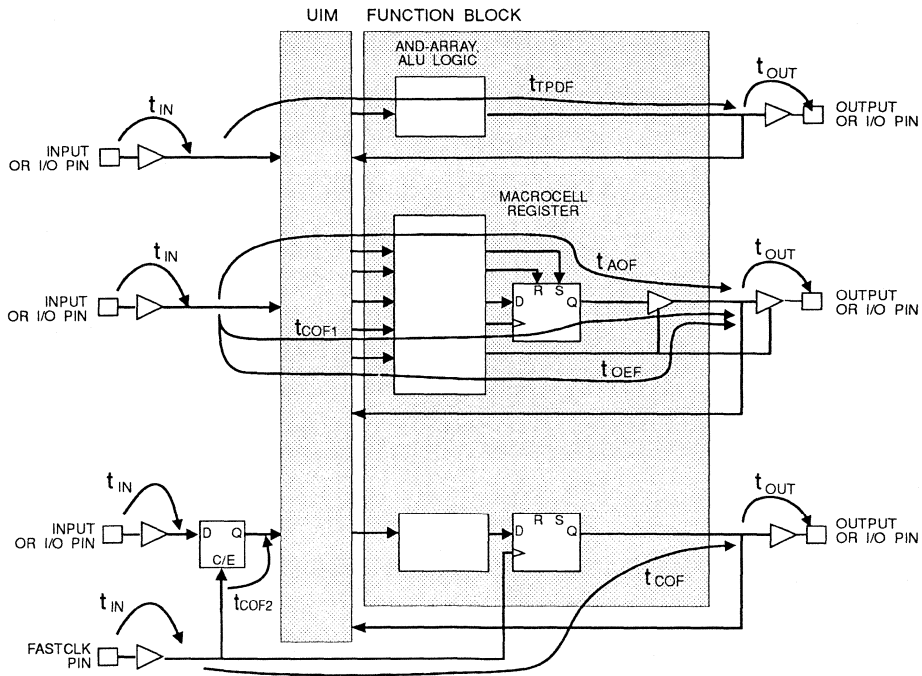


Figure 13. Incremental Timing Parameters

44-Pin LCC Pinouts

Pin #	Input	Output
1	Master Reset $V_{PP}$	
2	Input/FCI	MC2-1
3	Input/FCI	
4	Input/FCI	
5	Input/FCI	MC2-4
6	Input/FCI	MC2-5
7	GND	
8	Input/FCI	MC2-6
9	FastCLK0	MC2-7
10	FastCLK1	MC2-8
11	FastCLK2	MC2-9
12	$V_{CCIO}$	
13	Input	MC1-1
14	Input	MC1-2
15	Input	MC1-3
16	Input	MC1-4
17	GND	
18	Input	MC1-5
19	Input	MC1-6
20	Input/FI	MC1-7
21	Input/FI	MC1-8
22	Input/FI	MC1-9

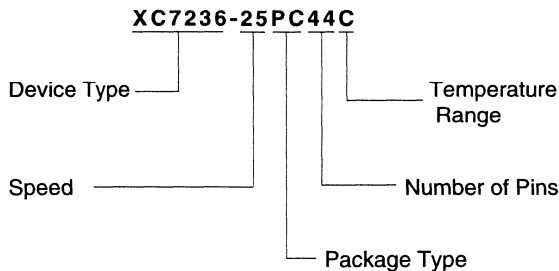
Pin #	Input	Output
23	$V_{CCIO}$	
24	input/FI	MC4-9/FCO
25	input/FI	MC4-8/FCO
26	Input/FI	MC4-7
27	Input	MC4-6
28	Input	MC4-5
29	GND	
30	Input	MC4-4
31	Input	MC4-3
32	FastOE	MC4-2
33	Input	MC4-1/FDO
34	$V_{CCINT}$	
35	Input/FI	MC3-9/FDO
36	Input/FI	MC3-8/FDO
37	Input/FI	MC3-7/FDO
38	Input/FDI	MC3-6
39	GND	
40	Input/FDI	MC3-5
41	Input/FDI	MC3-4
42	Input/FDI	MC3-3
43	Input/FDI	MC3-2
44	Input/FDI	MC3-1

FI = Fast Input FCI = FastCompare input FDI = FastDecode input

FCO = FastCompare output FDO = FastDecode output

Ordering Information

Example:



Device Options

- XC7236
- XC7236A

Speed Options

- 30 30 ns (33 MHz) sequential cycle time
- 25 25 ns (40 MHz) sequential cycle time
- 20 20 ns (50 MHz) sequential cycle time
- 16 16 ns (60 MHz) sequential cycle time

Package Options

- PC44 44-Pin Plastic Leaded Chip Carrier
- WC44 44-Pin Windowed Ceramic Leaded Chip Carrier

Temperature Options

- C Commercial 0°C to 70°C
- I Industrial -40°C to 85°C

### Features

- Second-Generation High Density Programmable Logic Device
- UV-erasable CMOS EPROM technology
- 72 Macrocells, grouped into eight Function Blocks, interconnected by a programmable Universal Interconnect Matrix
- Each Function Block contains a programmable AND-array with 21 complementary inputs, providing up to 16 product terms per Macrocell
- Enhanced logic features:
  - 2-input Arithmetic Logic Unit in each Macrocell
  - Dedicated fast carry network between Macrocells
  - Wide AND capability in the Universal Interconnect Matrix
- Identical timing for all interconnect paths and for all Macrocell logic paths
- 72 signal pins in the 84-pin packages: 42 I/O, 12 inputs, 18 outputs
- Each input is programmable: Direct, latched, or registered
- I/O-pin is usable as input when Macrocell is buried
- Two high-speed, low-skew global clock inputs
- 68-pin and 84-pin leaded chip carrier packages and 84-pin Pin-Grid-Array packages

### General Description

The XC7272A is a second-generation High Density Programmable Logic Device that combines the classical features of the PAL-like EPLD architecture with innovative systems-oriented logic enhancements. This favors the implementation of fast state machines, large synchronous counters and fast arithmetic, as well as multi-level general-purpose logic. Performance, measured in achievable system clock rate and critical delays, is not only predictable, but independent of physical logic mapping, interconnect routing, and resource utilization. Performance, therefore, remains invariant between design iterations. The propagation delay through interconnect and logic is constant for any function implemented in any one of the output Macrocells.

The functional versatility of the traditional programmable logic array architecture is enhanced through additional gating and control functions available in an Arithmetic Logic Unit (ALU) in each Macrocell. Dedicated fast arith-

metic carry lines running directly between adjacent Macrocells and Function Blocks support fast adders, subtractors and comparators of any length up to 72 bits.

This additional ALU in each Macrocell can generate any combinatorial function of two sums of products, and it can generate and propagate arithmetic-carry signals between adjacent Macrocells and Functional Blocks.

The Universal Interconnect Matrix (UIM) facilitates unrestricted, fixed-delay interconnects from all device inputs and Macrocell outputs to any Function Block AND-array input. The UIM can also perform a logical AND across any number of its incoming signals on the way to any Functional Block, adding another level of logic without additional delay. This supports bidirectional loadable synchronous counters of any size up to 72 bits, operating at the specified maximum device frequency

As a result of these logic enhancements, the XC7272A can deliver high performance even in designs that combine large numbers of product terms per output, or need more layers of logic than AND-OR, or need a wide AND function in some of the product terms, or perform wide arithmetic functions.

Automated design mapping is supported by Xilinx development software based on design capture using third-party schematic entry tools, PLD compilers or direct text-based equation files. Design mapping is completed in a few minutes on a PC.

### Architectural Overview

Figure 1 shows the XC7272A structure. Eight Function Blocks (FBs) are all interconnected by a central Universal Interconnect Matrix (UIM). Each FB receives 21 signals from the UIM and each FB produces nine signals back into the UIM. All device inputs are also routed via the UIM to all Function Blocks. Each FB contains nine output Macrocells (MCs) that draw from a programmable AND array driven by the 21 signals from the UIM. Most Macrocells drive a 3-state chip output, all feed back into the UIM.

The device also contains two dedicated Fast Comparators (FCs) for address compare or decode functions. The following pages describe the elements of this architecture in detail.

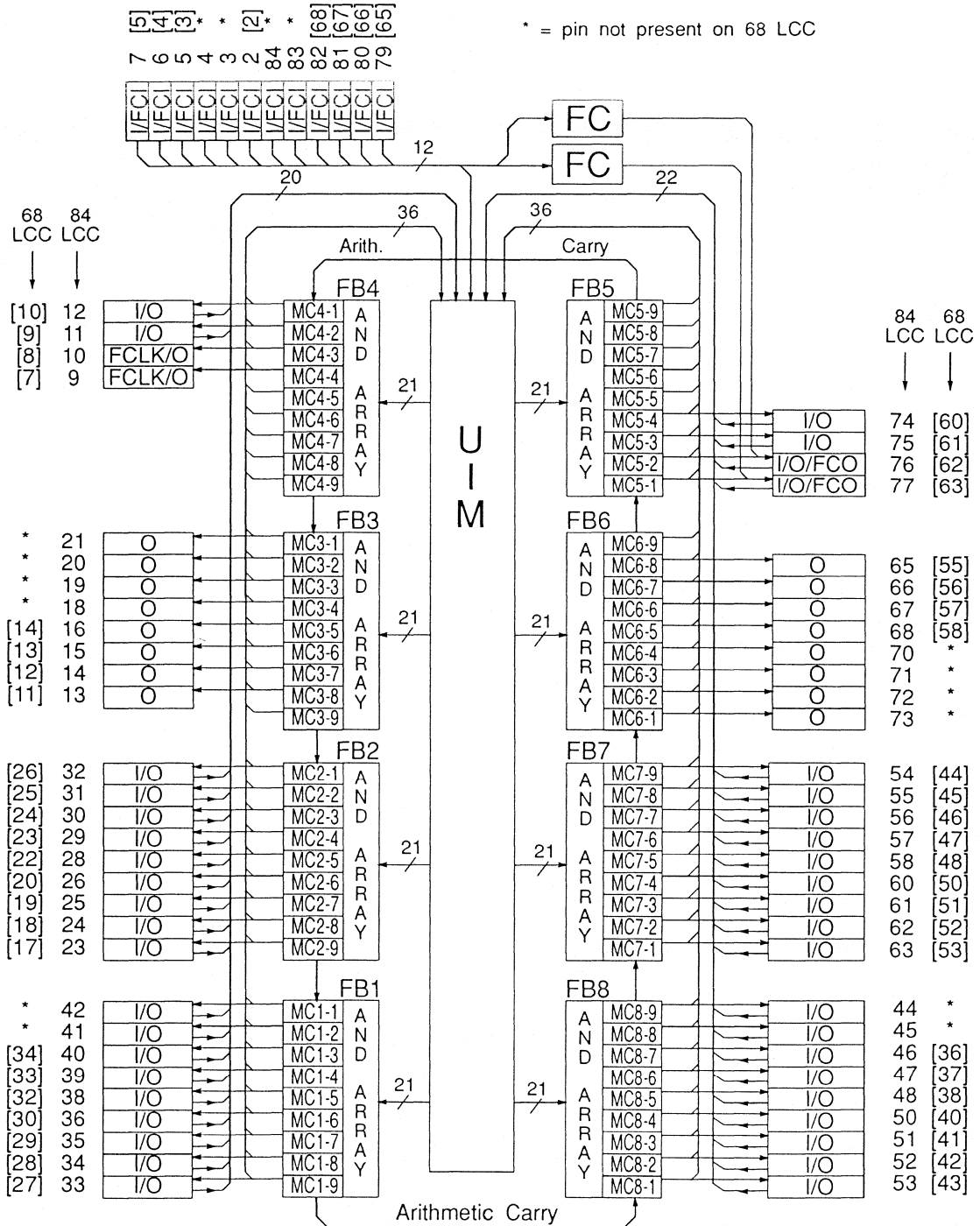


Figure 1. XC7272A Architecture

## Function Blocks and Macrocells

The XC7272A contains 72 Macrocells with identical structure, grouped into eight Function Blocks of nine Macrocells each. Each Macrocell is driven by product terms derived from the 21 inputs from the UIM into the Function Block.

Five product terms are private to each Macrocell; an additional 12 product terms are shared among the nine Macrocells in any Function Block. One of the private product terms is a dedicated clock for the flip-flop in the Macrocell. See the description on page 3-24 for other clocking options.

The remaining four private product terms can be selectively ORed together with up to three of the shared product terms, and drive one input to an Arithmetic Logic Unit. The other input to the ALU is driven by the OR of up-to-nine product terms from the remaining shared product terms.

As a programmable option, two of the private product terms can be used for other purposes. One is the asynchronous active-High Reset of the Macrocell flip-flop, the other can be either an asynchronous active-High Set of the Macrocell flip-flop, or an Output-Enable signal.

The Arithmetic Logic Unit has two programmable modes: In the *logic mode*, it is a 2-input function generator, a 4-bit look-up table, that can be programmed to generate any Boolean function of its two inputs. It can OR them, widening the OR function to max 16 inputs; it can AND them, which means that one sum of products can be used to mask the other; it can XOR them, toggling the flip-flop or comparing the two sums of products. Either or both of the sum-of-product inputs to the ALU can be inverted, and either or both can be ignored. The ALU can implement one additional layer of logic without any speed penalty.

In the *arithmetic mode*, the ALU block can be programmed to generate the arithmetic sum or difference of two operands, combined with a carry signal coming from the lower Macrocell; it also feeds a carry output to the next higher Macrocell. This carry propagation chain crosses the boundaries between Function Blocks, but it can also be configured 0 or 1 when it enters a Function Block.

This dedicated carry chain overcomes the inherent speed and density problems of the traditional EPLD architecture, when trying to perform arithmetic functions like add, subtract, and magnitude compare.

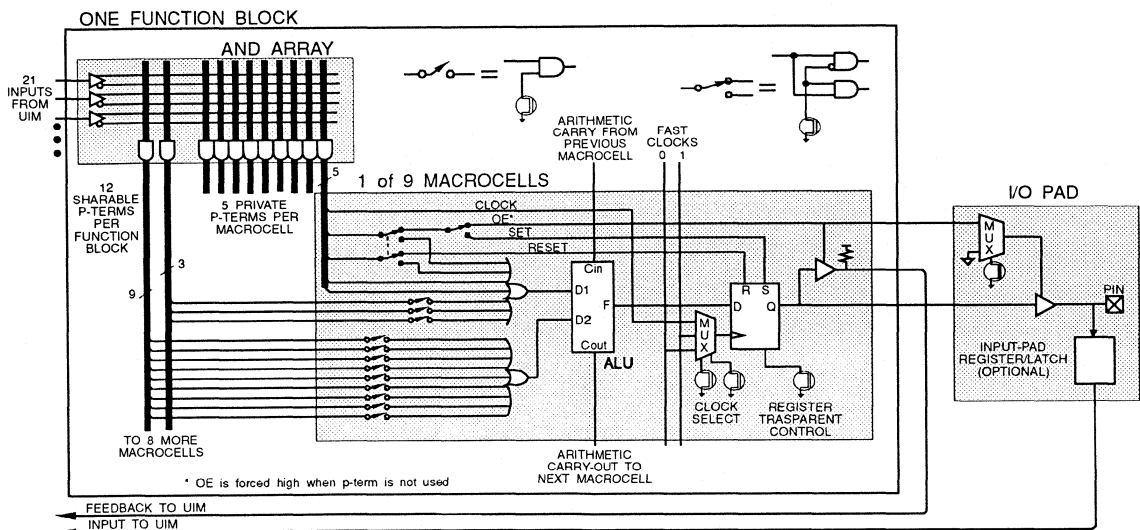


Figure 2. Function Block and Macrocell Schematic Diagram

The ALU output drives the D input of the Macrocell flip-flop.

Each flip-flop has several programmable options:

One option is to eliminate the flip-flop by making it transparent, which makes the Q output identical with the D input, independent of the clock.

If this option is *not* programmed, the flip-flop operates in the conventional manner, triggered by the rising edge on its clock input.

The clock source is programmable: It is either the dedicated product term mentioned above, or it is one of the two global FastCLK signals that are distributed with short delay and minimal skew over the whole chip.

The asynchronous Set and Reset (Clear) inputs override the clocked operation. If both asynchronous inputs are active simultaneously, Reset overrides Set. Upon power-up, each Macrocell flip-flop can be preloaded with either 0 or 1.

In addition to driving the chip output buffer, the Macrocell output is also routed back as an input to the UIM. When the Output Enable product term mentioned above is not active, this feedback line is forced High and thus disabled.

### Outputs

Sixty of the 72 Macrocells drive chip outputs directly through 3-state output buffers, each individually controlled by the Output Enable product term mentioned above. For bidirectional I/O pins, an additional programmable cell can optionally disable the output permanently. The buried flip-flop is then still available for internal feedback, and the pin can still be used as a separate input

### Inputs

Each signal input to the chip is programmable as either direct, latched, or registered in a flip-flop. Latch and flip-flop can be programmed with either of the two FastCLK signals as latch enable or clock. The latch is transparent when FastCLK is High, and the flip-flop clocks on the rising edge of FastCLK. Registered inputs allow high system clock rates by pipelining the inputs before they incur the combinatorial delay in the device, in cases where a pipeline cycle is acceptable.

The direct, latched, or registered inputs then drive the UIM. There is no propagation-delay difference between pure inputs and I/O inputs.

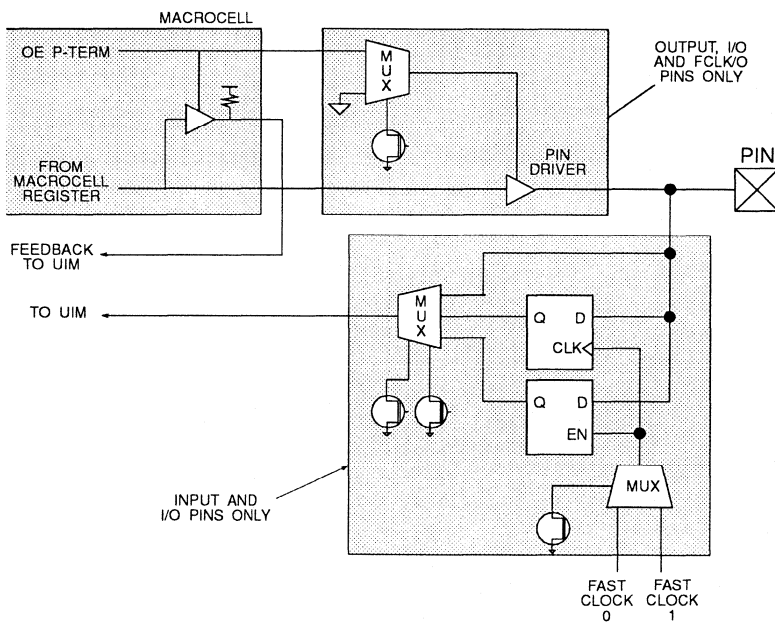


Figure 3. Input/Output Schematic Diagram



### Universal Interconnect Matrix

The UIM receives 126 inputs: 72 from the 72 Macrocells, 42 from bidirectional I/O pins, and 12 from dedicated input pins. Acting as an unrestricted crossbar switch, the UIM generates 168 output signals, 21 to each Function Block.

Any one of the 126 inputs can be programmed to be connected to any number of the 168 outputs. The delay through the array is constant, independent of the apparent routing distance, the fan-out, fan-in, or routing complexity. Routability is not an issue: Any UIM input can drive any UIM output, even multiple outputs, and the delay is constant.

When multiple inputs are programmed to be connected to the same output, this output becomes the AND of the input signals if the levels are interpreted as active High. By choosing the appropriate signal inversion in the Macrocell outputs and the Function Block AND-array input, this AND-logic can also be used to implement a NAND, OR, or NOR function, thus offering an additional level of logic without any speed penalty.

A Macrocell feedback signal that is disabled by the output enable product term represents a High input to the UIM. Several such Macrocell outputs programmed onto the same UIM output thus emulate a 3-state bus line. If *one* of the Macrocell outputs is enabled, the UIM output assumes that same level.

### FastCompare

Two 12-bit wide fast identity (equality) comparators are driven by the 12 dedicated FCI inputs, which also drive into the UIM. These dedicated circuits compare the input data against two sets of 12-bit data, either loaded previously from the same data inputs, or pre-programmed into the device.

As a programming option, any bit can be excluded from the comparison (disabled), the whole comparison can be disabled (forced false), and the polarity of the response can be chosen. The FCO comparator outputs can substitute the MC 5-1 and 5-2 outputs. Since this compare circuitry bypasses the UIM and the AND/OR logic, it is very fast and can also be used as a high-speed address decoder.

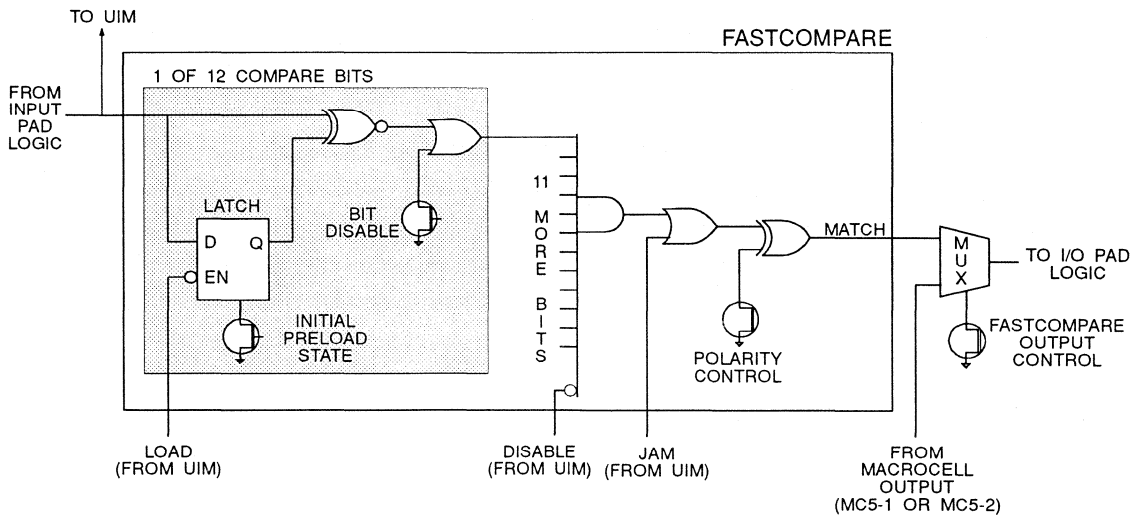


Figure 4. FastCompare Schematic Diagram

Programming and Using the XC7272A

The features and capabilities described above are used by the Xilinx development software to program the device according to the specification given either through schematic entry, or through a behavioral description expressed in Boolean equations.

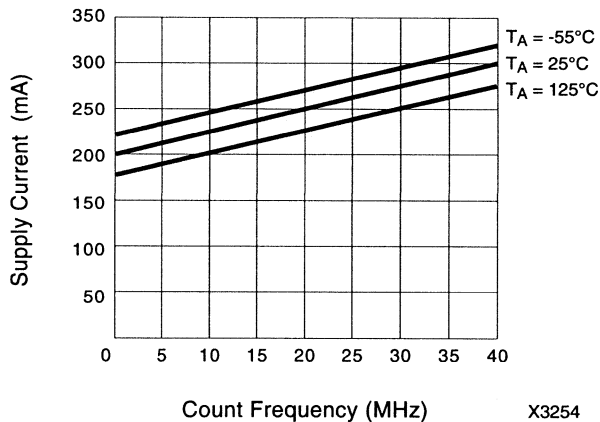
The user can specify a security bit that prevents any reading of the programming bit map after the device has been programmed and verified.

The device is programmed in a manner similar to an EPROM (ultra-violet light erasable read-only memory) using the Intel Hex format. Programming support is available from a number of programmer manufacturers. The UIM connections and Function Block AND-array connections are made directly by non-volatile EPROM cells. Other control bits are read out of the EPROM array and stored into latches just after power-up. This method,

common among EPLD devices, requires either a very fast  $V_{CC}$  rise time ( $<5 \mu s$ ) or the application of a master-reset signal delayed at least until  $V_{CC}$  has reached the required operating voltage. The latter can be achieved using a simple capacitor and pull-up resistor on the MR pin (the RC product should be larger than twice the  $V_{CC}$  rise time). The power-up or reset signal initiates a self-timed configuration period lasting about  $350 \mu s$  ( $t_{RESET}$ ), during which all device outputs remain disabled and programmed preload state values are loaded into the macrocell registers.

Unused input and I/O pins should be tied to ground or  $V_{CC}$  or some valid logic level. This is common practice for all CMOS devices to avoid dissipating excess current through the input-pad circuitry.

The recommended decoupling capacitance on the three  $V_{CC}$  pins should total  $1 \mu F$  using high-speed (tantalum or ceramic) capacitors.



Typical Power Requirements for XC7272A Configured as Sixteen 4-bit Counters

( $V_{CC} = +5.0 V$ ,  $V_{IN} = V_{CC}$  or GND, all outputs open)

## Absolute Maximum Ratings

			Units
$V_{CC}$	Supply voltage relative to GND	-0.5 to 7.0	V
$V_{IN}$	Input voltage with respect to GND	-0.5 to 7.0	V
$V_{TS}$	Voltage applied to 3-state output	-0.5 to 7.0	V
$V_{PP}$	Programming voltage	+14	V
$T_{STG}$	Storage temperature	-65 to + 150	°C
$T_{SOL}$	Maximum soldering temperature (10 s @ 1/16 in. = 1.5 mm)	+ 260	°C

Note: Stresses beyond those listed under Absolute Maximum Ratings may cause permanent damage to the device. These are stress ratings only, and functional operation of the device at these or any other conditions beyond those listed under Operating Conditions is not implied. Exposure to Absolute Maximum Ratings conditions for extended periods of time may affect device reliability.

## Operating Conditions

				Min	Max	Units
$V_{CC}$	Supply voltage relative to GND	Commercial	0°C to 70°C	4.75	5.25	V
	Supply voltage relative to GND	Industrial	-40°C to 85°C	4.5	5.5	V
$V_{IH}$	High-level input voltage			2.0	$V_{CC} + 0.3$	V
$V_{IL}$	Low-level input voltage			0	0.8	V

## DC Characteristics Over Operating Conditions

		Min	Max	Units
$V_{OH}$	High-level output voltage @ $I_{OH} = -4$ mA , $V_{CC}$ min	2.4		V
$V_{OL}$	Low-level output voltage @ $I_{OL} = 8$ mA , $V_{CC}$ min		0.5	V
$I_{CC}$	Supply current while idle		250	mA
$I_{IL}$	Input Leakage current	-10	+10	μA
$I_{OZ}$	Output High-Z leakage current	-100	+100	μA
$C_{IN}$	Input capacitance (sample tested)		10	pF

## AC Timing Requirements

Description	Speed Grade		-25		-20		-16		Units
	Fig	Symbol	Min	Max	Min	Max	Min	Max	
Sequential toggle frequency (with feedback) using FastCLK	5	$f_{CYC}$ (Note 1)	0	40	0	50	0	60	MHz
Sequential toggle frequency (with feedback) using a Product-Term clock	5	$f_{CYC1}$ (Note 1)	0	40	0	50	0	60	MHz
Macrocell register transmission frequency (without feedback) using FastCLK		$f_{CLK}$ (Note 5)	0	59	0	60	0	60	MHz
Macrocell register transmission frequency (without feedback) using a Product-Term clock		$f_{CLK1}$ (Note 5)	0	50	0	50	0	60	MHz
Input register transmission frequency (without feedback) using FastCLK		$f_{CLK2}$ (Note 5)	0	67	0	67	0	67	MHz
Input register to Macrocell register pipeline frequency using FastCLK	6	$f_{CLK3}$ (Note 1)	0	40	0	50	0	60	MHz
FastCLK Low pulse width	10	$t_{WL}$	7.5		7.5		6		ns
FastCLK High pulse width	10	$t_{WH}$	7.5		7.5		6		ns
Product-Term clock pulse width (active/inactive)	10	$t_{W1}$	10		9		7		ns
Input to Macrocell register set-up time before FastCLK	8	$t_{SU}$	24		19		15		ns
Input to Macrocell register hold time after FastCLK	8	$t_H$	-7		-4		-4		ns
Input to Macrocell register set-up time before Product-Term clock	7	$t_{SU1}$ (Note 1)	10		8		6		ns
Input to Macrocell register hold time after Product-Term clock	7	$t_{H1}$	0		0		0		ns
Input register/latch set-up time before FastCLK	9	$t_{SU2}$	8		8		6		ns
Input register/latch hold time after FastCLK	9	$t_{H2}$	0		0		0		ns

### AC Timing Requirements (Continued)

Description	Speed Grade		-25		-20		-16		Units
	Fig.	Symbol	Min	Max	Min	Max	Min	Max	
FastCompare input set-up time before latch-enable input	11	$t_{SU3}$	2		2		2		ns
FastCompare input hold time after latch-enable input	11	$t_{H3}$	14		12		10		ns
FastCompare input hold time after comparator jam asserted	11	$t_{H4}$	25		22		18		ns
Set/reset pulse width	10	$t_{WA}$	12		10		8		ns
Set/reset input recovery set-up time before FastCLK	10	$t_{RA}$	20		20		16		ns
Set/reset input hold time after FastCLK	10	$t_{HA}$	-5		-3		-3		ns
Set/reset input recovery time before P-Term clock	10	$t_{RA1}$	6		5		4		ns
Set/reset input hold time after P-Term clock	10	$t_{HA1}$	9		8		6		ns
Set/reset input hold time after reset/set inactive		$t_{HRS}$	10		8		6		ns
FastCompare latch-enable pulse width	10	$t_{WC}$	16		14		12		ns

### Propagation Delays

Description	Speed Grade		-25		-20		-16		Units
	Fig.	Symbol	Min	Max	Min	Max	Min	Max	
FastCLK input to registered output delay	10	$t_{CO}$	5	16	3	14	3	12	ns
P-Term clock input to registered output delay	10	$t_{CO1}$	10	30	6	25	6	21	ns
Set/reset input to registered output delay	10	$t_{AO}$	13	40	8	32	8	25	ns
Input to nonregistered output delay	10	$t_{PD}$ (Note 1)	13	40	8	32	8	25	ns
FastCompare input to MATCH output	11	$t_{PDC}$	8	23	5	22	5	20	ns
FastCompare disable input to MATCH output	11	$t_{PDC1}$	8	25	5	22	5	20	ns
FastCompare jam input to MATCH output	11	$t_{PDC2}$	8	25	5	22	5	20	ns
Input to output enable	10	$t_{OE}$	11	32	7	25	7	22	ns
Input to output disable	10	$t_{OD}$	11	32	7	25	7	22	ns

## Incremental Parameters

Description	Speed Grade		-25		-20		-16		Units
	Fig	Symbol	Min	Max	Min	Max	Min	Max	
Arithmetic carry delay between adjacent Macrocells	12	$t_{PDT1}$ (Note 2)		1.6		1.2		1	ns
Arithmetic carry delay through 9 adjacent Macrocells in a Function Block	12	$t_{PDT8}$ (Note 2)		10		8		6	ns
Arithmetic carry delay through 10 Macrocells from Macrocell #n to Macrocell #n in next F Block	12	$t_{PDT9}$ (Note 2)		14		12		10	ns
Incremental delay from FastCLK net to registered output feedback	13	$t_{COF}$		1		1		1	ns
Incremental delay from UIM-input (for P-Term clock) to registered Macrocell feedback	13	$t_{COF1}$		15		12		10	ns
Incremental delay from FastCLK net to latched/registered UIM-input	13	$t_{COF2}$ (Note 3)		1		1		1	ns
Incremental delay from UIM-input to nonregistered Macrocell feedback	13	$t_{PDF}$ (Note 1)		25		19		14	ns
Incremental delay from UIM-input (set/reset) to registered Macrocell feedback	13	$t_{AOF}$		25		19		14	ns
Incremental delay from UIM-input (used as output-enable/disable) to Macrocell feedback	13	$t_{OEF}, t_{ODF}$		17		12		11	ns
Propagation delay through unregistered Input pad (to UIM) plus output pad driver (from Macrocell)	13	$t_{IN} + t_{OUT}$ (Note 4)		15		13		11	ns

## Power-up/Reset Timing Parameters

Description	Symbol	Min	Typ	Max	Units
Master Reset input Low pulse width	$t_{WMR}$	100			ns
$V_{CC}$ rise time (if MR not used for power-up)	$t_{IVCC}$			5	$\mu$ s
Configuration completion time (to outputs operational)	$t_{RESET}$		350	1000	$\mu$ s

Notes 1. Specifications account for logic paths which use the maximum number of available product terms and the ALU.

2. Arithmetic carry delays are measured as the increase in required set-up time to adjacent Macrocell(s) for an adder with registered outputs.

3. Parameter  $t_{COF2}$  is derived as the difference between the clock period for pipelining input-to-Macrocell registers ( $1/f_{CLK3}$ ) and the non-registered input set-up time ( $t_{SU}$ ).

4. Parameter  $t_{IN}$  represents the delay from an input or I/O pin to a UIM-input (or from a FastCLK pin to the Fast CLK net);  $t_{OUT}$  represents the delay from a Macrocell output (feedback point) to an output or I/O pin. Only the sum of  $t_{IN} + t_{OUT}$  can be derived from measurements, e.g.,  $t_{IN} + t_{OUT} = t_{SU} + t_{CO} - 1/f_{CYC}$ .

5. Not tested but derived from appropriate pulse-widths, set-up time and hold-time measurements.

## Timing and Delay Path Specifications

### Introduction to XC7272A Timing

Timing calculations and verification for the XC7272A are straightforward. The delay path consists of three blocks that can be connected in series.

- Input Buffer and associated latch or register
- Logic Resource (UIM, AND-array and Macrocell)
- Three-state Output Buffer

All inputs have the same delay, regardless of fan-out or location. All logic resources have the same delay, regardless of logic complexity, interconnect topology or location on the chip. All outputs have the same delay. The achievable clock rate is, therefore, determined only by the input method (direct, latched or registered) and the number of times a signal passes through the combinatorial logic.

### Timing and Delay Path Descriptions

Figure 5 defines the max clock frequency (with feedback). Any Macrocell output can be fed back to the UIM as an input for the next clock cycle. Figure 6 shows the relevant delay path. The parameters  $f_{CYC}$  and  $f_{CYC1}$  specify the maximum operating frequency for FastCLK and product-term clock operation respectively.

Figure 6 specifies the max operating frequency ( $f_{CLK3}$ ) for pipelined operation between the input registers and the Macrocell registers, using FastCLK.

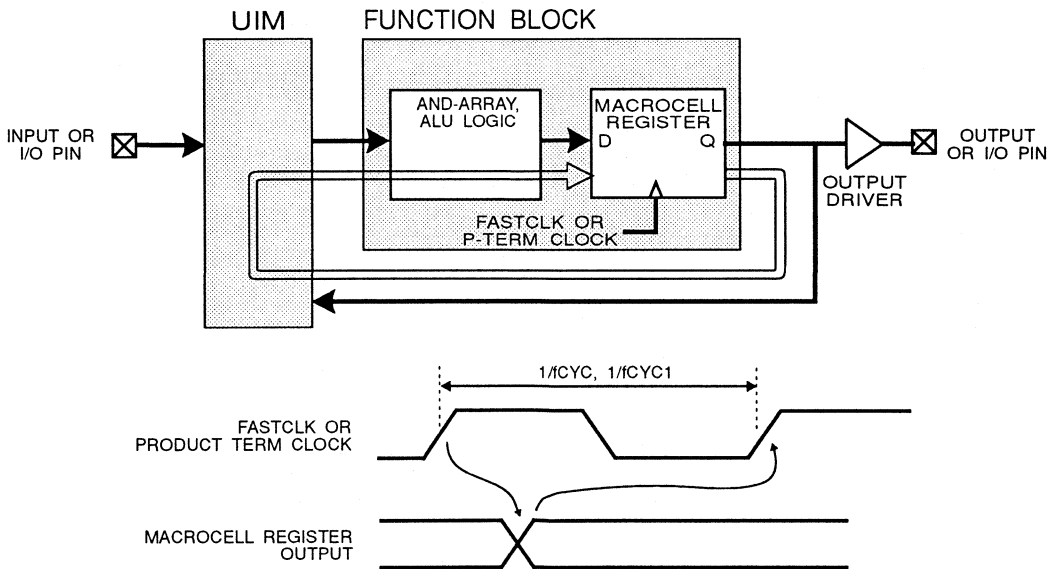


Figure 5. Delay Path Specifications for  $f_{CYC}$  and  $f_{CYC1}$

Figure 7 defines the set-up and hold times from the data inputs to the product-term clock used by the output register.

Figure 8 defines the set-up and hold times from the data inputs to the FastCLK used by the output register.

Figure 9 defines the set-up and hold times from the data input to the FastCLK used in an input register.

Figure 10 shows the waveforms for the Macrocell and control paths.

Figure 11 defines the FastCompare timing parameters.

Figure 12 defines the carry propagation delays between Macrocells and between Function Blocks. The parameters describe the delay from the  $C_{IN}$ , D1 and D2 inputs of a Macrocell ALU to the  $C_{IN}$  input of the adjacent Macrocell ALU. These delays must be added to the standard Macrocell delay path ( $t_{PD}$  or  $t_{SU}$ ) to determine the performance of an arithmetic function.

Figure 13 defines the incremental parameters for the standard Macrocell logic paths. These incremental parameters are used in conjunction with pin-to-pin parameters when calculating compound logic path timing. Incremental parameters are derived indirectly from other pin-to-pin measurement.

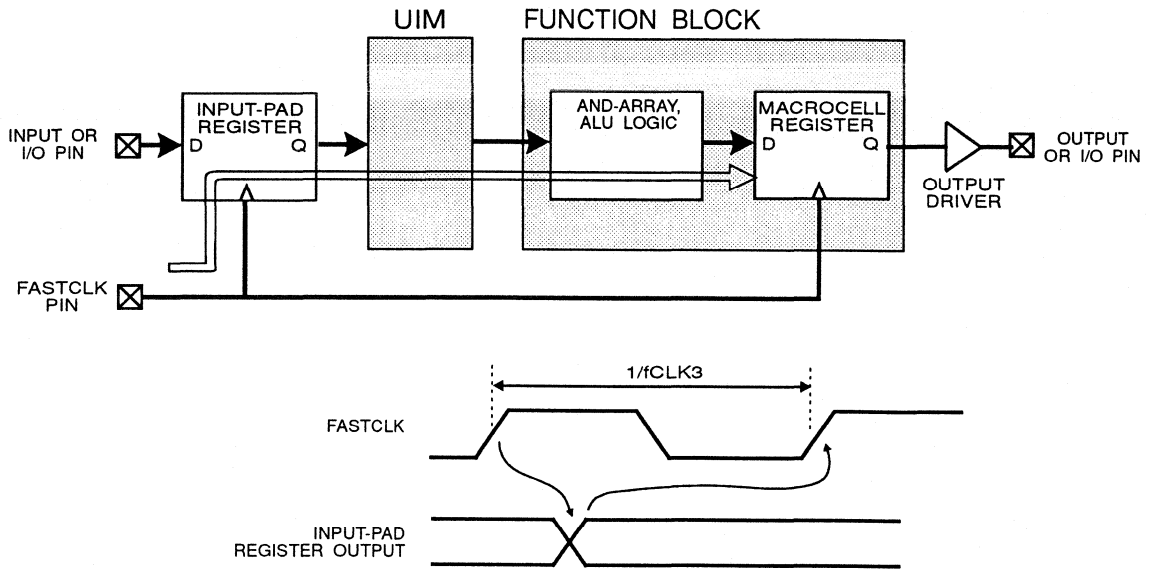


Figure 6. Delay Path Specification for  $f_{CLK3}$

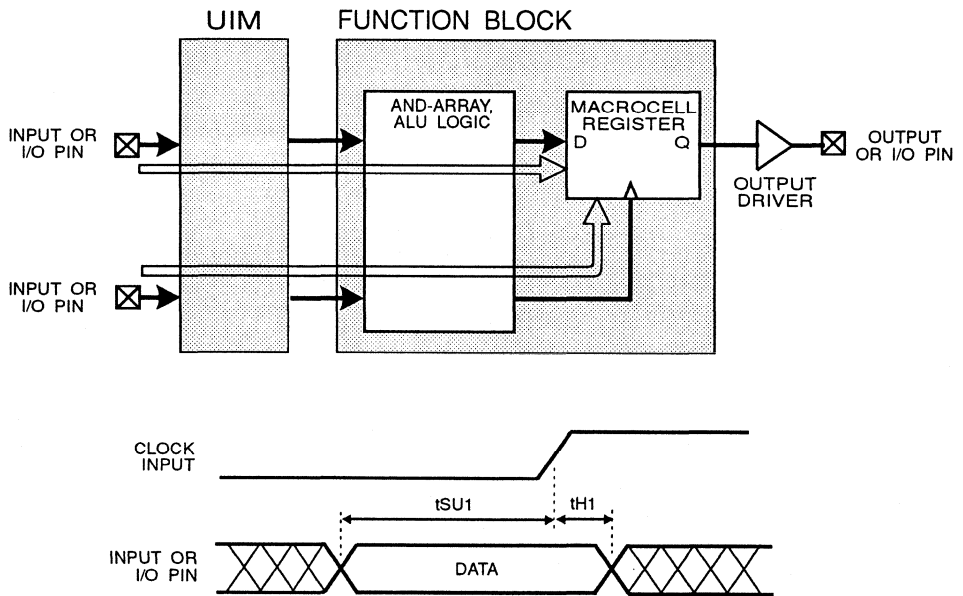


Figure 7. Delay Path Specification for  $t_{SU1}$  and  $t_{H1}$



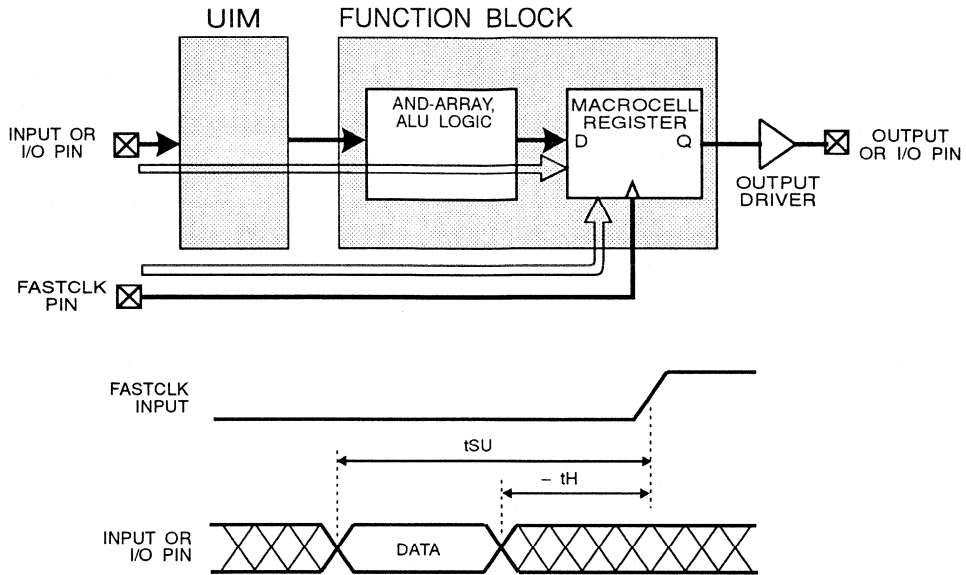


Figure 8. Delay Path Specification for  $t_{su}$  and  $t_h$

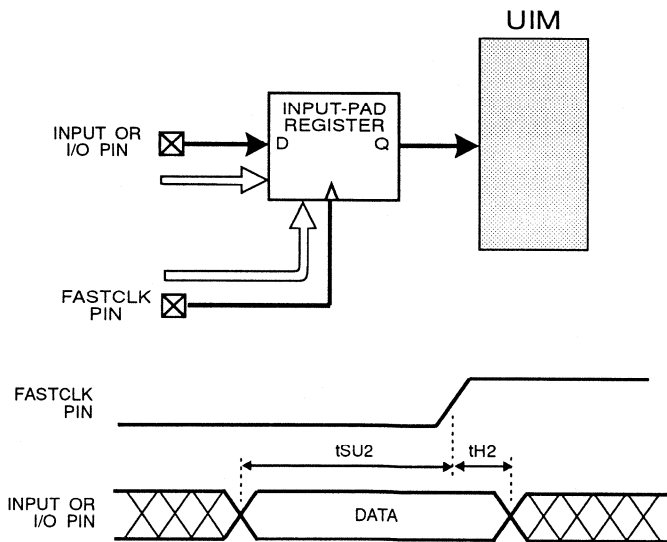


Figure 9. Delay Path Specification for  $t_{su2}$  and  $t_{h2}$

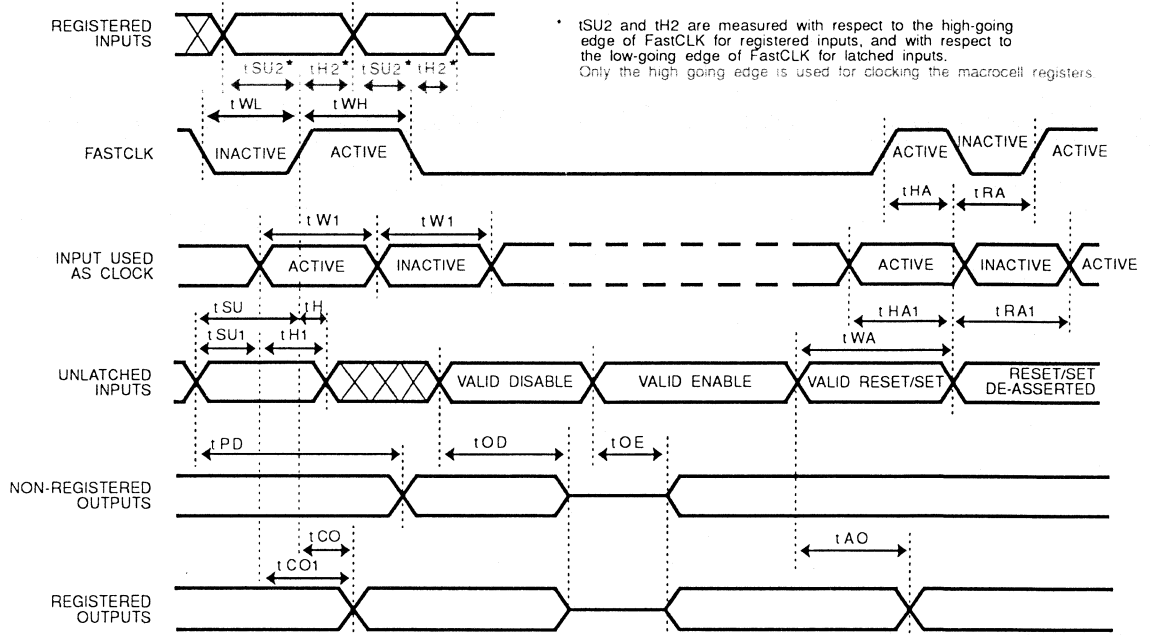


Figure 10. Principal Pin-to-Pin Measurements

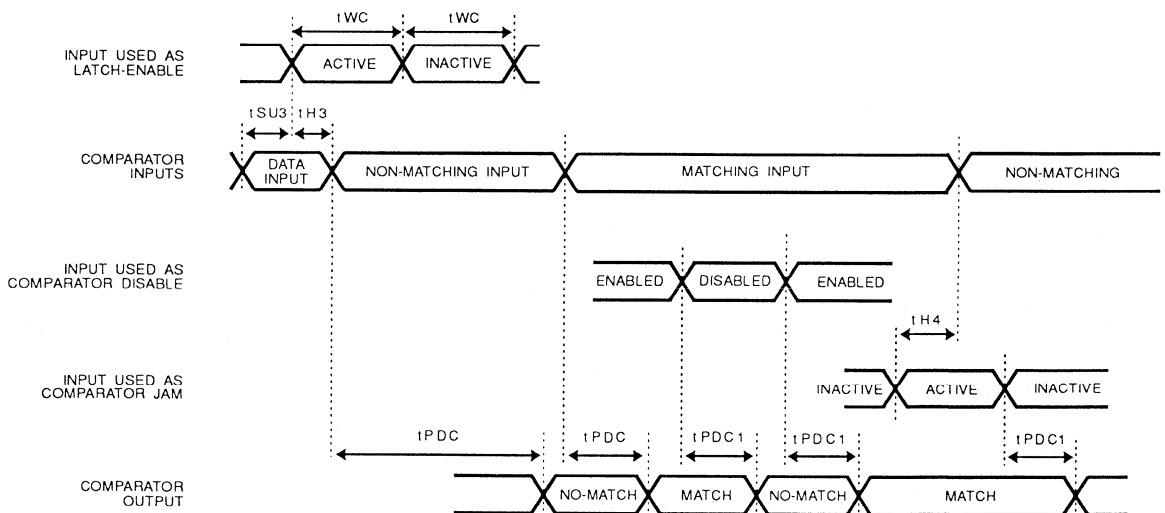


Figure 11. FastCompare Timing Waveforms

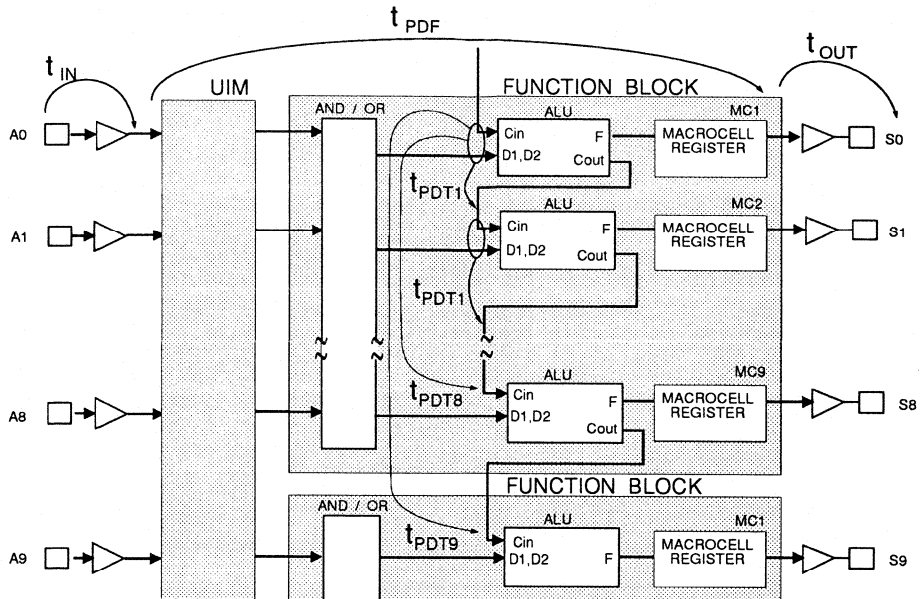


Figure 12. Arithmetic Timing Parameters

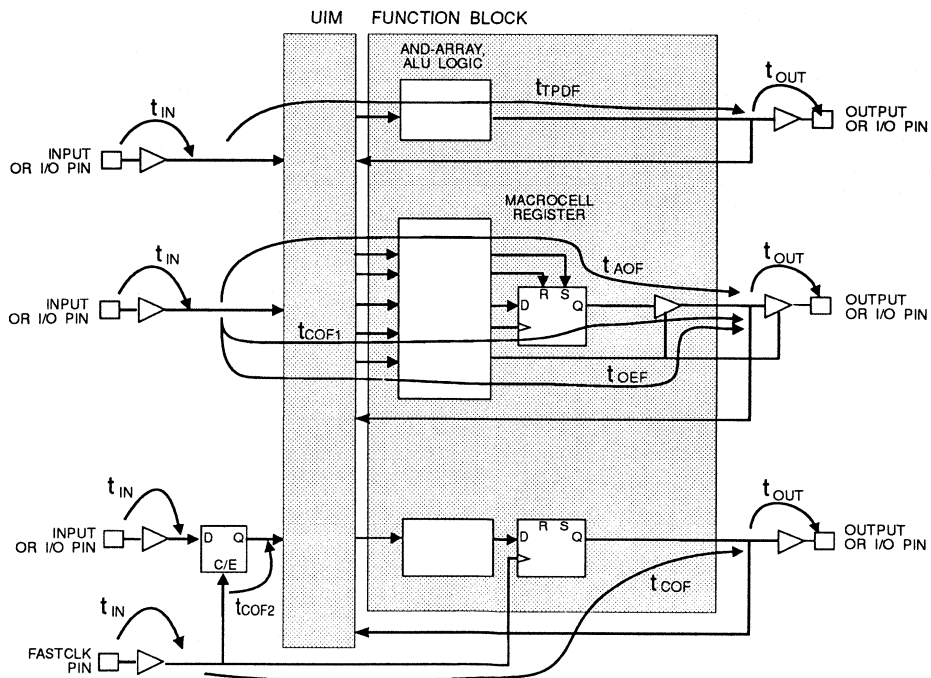


Figure 13. Incremental Timing Parameters

## 68-Pin LCC, 84-Pin LCC and PGA Pinouts

68 LCC	in	XC7272A	out	84 LCC	84 PGA
1	Master Reset	V <sub>pp</sub>		1	F-9
2	Input/FCI			2	F-11
-	Input/FCI			3	E-11
-	Input/FCI			4	E-10
3	Input/FCI			5	E-9
4	Input/FCI			6	D-11
5	Input/FCI			7	D-10
6	GROUND			8	C-11
7	Fast CLK0		MC4-4	9	B-11
8	Fast CLK1		MC4-3	10	C-10
9	Input		MC4-2	11	A-11
10	Input		MC4-1	12	B-10
11			MC3-8	13	B-9
12			MC3-7	14	A-10
13			MC3-6	15	A-9
14			MC3-5	16	B-8
15	GROUND			17	A-8
-			MC3-4	18	B-6
-			MC3-3	19	B-7
-			MC3-2	20	A-7
-			MC3-1	21	C-7
16	Vcc			22	C-6
17	Input		MC2-9	23	A-6
18	Input		MC2-8	24	A-5
19	Input		MC2-7	25	B-5
20	Input		MC2-6	26	C-5
21	GROUND			27	A-4
22	Input		MC2-5	28	B-4
23	Input		MC2-4	29	A-3
24	Input		MC2-3	30	A-2
25	Input		MC2-2	31	B-3
26	Input		MC2-1	32	A-1
27	Input		MC1-9	33	B-2
28	Input		MC1-8	34	C-2
29	Input		MC1-7	35	B-1
30	Input		MC1-6	36	C-1
31	GROUND			37	D-2
32	Input		MC1-5	38	D-1
33	Input		MC1-4	39	E-3
34	Input		MC1-3	40	E-2
-	Input		MC1-2	41	E-1
-	Input		MC1-1	42	F-2

68 LCC	in	XC7272A	out	84 LCC	84 PGA
35	Vcc			43	F-3
-	Input		MC8-9	44	G-3
-	Input		MC8-8	45	G-1
36	Input		MC8-7	46	G-2
37	Input		MC8-6	47	F-1
38	Input		MC8-5	48	H-1
39	GROUND			49	H-2
40	Input		MC8-4	50	J-1
41	Input		MC8-3	51	K-1
42	Input		MC8-2	52	J-2
43	Input		MC8-1	53	L-1
44	Input		MC7-9	54	K-2
45	Input		MC7-8	55	K-3
46	Input		MC7-7	56	L-2
47	Input		MC7-6	57	L-3
48	Input		MC7-5	58	K-4
49	GROUND			59	L-4
50	Input		MC7-4	60	J-5
51	Input		MC7-3	61	K-5
52	Input		MC7-2	62	L-5
53	Input		MC7-1	63	K-6
54	Vcc			64	J-6
55			MC6-8	65	J-7
56			MC6-7	66	L-7
57			MC6-6	67	K-7
58			MC6-5	68	L-6
59	GROUND			69	L-8
-			MC6-4	70	K-8
-			MC6-3	71	L-9
-			MC6-2	72	L-10
-			MC6-1	73	K-9
60	Input		MC5-4	74	L-11
61	Input		MC5-3	75	K-10
62	Input		MC5-2/FCO	76	J-10
63	Input		MC5-1/FCO	77	K-11
64	GROUND			78	J-11
65	Input/FCI			79	H-10
66	Input/FCI			80	H-11
67	Input/FCI			81	F-10
68	Input/FCI			82	G-10
-	Input/FCI			83	G-11
-	Input/FCI			84	G-9

### Device/Package/Speed/Temperature Availability

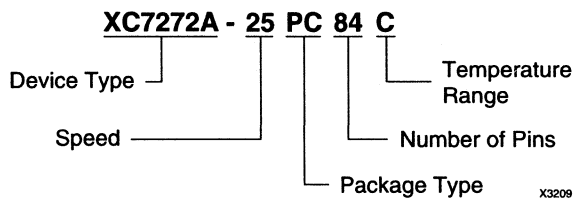
	68 Pin		84 Pin		84 Pin
	Plastic PLCC	Windowed Ceramic CLCC	Plastic PLCC	Windowed Ceramic CLCC	Windowed Ceramic PGA
XC7272A-25	CI	CI	CI	CI	CI
XC7272A-20	CI	CI	CI	CI	CI
XC7272A-16	CI	CI	CI	CI	CI

### Package and User I/O Availability

#### Number of User I/O Available

	68 Pin	84 Pin
XC7272A-25	56	72
XC7272A-20	56	72
XC7272A-16	56	72

### Ordering Information



#### Speed Options

-25	25 ns (40 MHz) sequential cycle time
-20	20 ns (50 MHz) sequential cycle time
-16	16 ns (60 MHz) sequential cycle time

PC84	84-Pin Plastic Leaded Chip Carrier
WC84	84-Pin Windowed Ceramic Leaded Chip Carrier
PG84	84-Pin Ceramic Windowed Pin Grid Array

#### Package Options

PC68	68-Pin Plastic Leaded Chip Carrier
WC68	68-Pin Windowed Ceramic Leaded Chip Carrier

#### Temperature Options

C	Commercial	0°C to 70°C
I	Industrial	-40°C to 85°C





# XC7300 EPLD Family

## *Table of Contents*

Overview .....	3-40
XC7300 EPLD Family .....	3-41
Architecture .....	3-42
3.3 V or 5 V Interface Configuration .....	3-46
Power-On Characteristics .....	3-46
Power Management .....	3-47
Erasure Characteristics .....	3-47
Design Recommendations .....	3-47
Design Security .....	3-47
High-Volume Production Programming .....	3-47
Timing Model .....	3-48
XEPLD Development System .....	3-48
XC73108 Programmable Logic Device .....	3-49
Power Management .....	3-49
Absolute Maximum Ratings .....	3-51
Recommended Operating Conditions .....	3-51
DC Characteristics Over Recommended	
Operating Conditions .....	3-52
Power-up/Reset Timing Parameters .....	3-52
Fast Function Block External	
AC Characteristics .....	3-53
High-Density Function Block External	
AC Characteristics .....	3-53
Fast Function Block Internal	
AC Characteristics .....	3-54
High-Density Function Block Internal	
AC Characteristics .....	3-54
I/O Block External AC Characteristics .....	3-55
Internal AC Characteristics .....	3-55
84-Pin LCC Pinouts .....	3-58
144-Pin PGA Pinouts .....	3-59
Ordering Information .....	3-60
Component Availability .....	3-60

---

## *Overview*

Introduced in 1993, the XC7300 EPLD family is designed to address customer needs for high performance and high density in a single complex programmable logic device. The XC7300 features an innovative Dual Block architecture consisting of two types of Functions Blocks (FBs) interconnected by a Universal Interconnect Matrix (UIM). The Function Blocks are represented by FAST Function Blocks that are optimized for high performance and High Density Function Blocks for highest possible logic density. This innovative Dual-Block architecture combined with the 100% interconnect capability of the UIM, makes the XC7300 family ideal for converting high-speed and high-density PALs into a complex PLD.

Xilinx XC7300 family offers four distinct advantages over competing EPLDs.

- Dual-Block architecture offers features for converting high-speed and high-density PALs into a single EPLD.
- Unrestricted Universal Interconnect Matrix (UIM) for guaranteed interconnect
- Dedicated high-speed arithmetic carry logic for efficient implementation of fast adders, subtractors, accumulators, and magnitude comparators.
- Mixed voltage I/O operation providing 3.3 V or 5 V interface configurations.



## Advance Product Information

### Features

- High-performance Eraseable Programmable Logic Devices (EPLDs)
  - 12 ns pin-to-pin delays
  - 80 MHz maximum clock frequency
- Advanced Dual-Block architecture
  - Fast Function Blocks
  - High-Density Function Blocks
- 100% interconnect matrix
- High-speed arithmetic carry network
  - 1 ns ripple-carry delay per bit
  - 40 MHz 16-bit accumulators
- Multiple independent clocks
- Each input programmable as direct, latched, or registered
- High-drive 24 mA output
- I/O operation at 3.3 V or 5 V
- Meets JEDEC Standard (8-1A) for 3.3 V  $\pm 0.3$  V
- Power management options
- Multiple security bits for design protection
- Supported by industry standard design and verification tools
- Advanced 0.8 $\mu$  CMOS EPROM process

### Description

The XC7300 family employs a unique Dual-Block architecture. Designers can now take advantage of high-speed paths when required, without sacrificing the ability to do complex functions or give up timing predictability.

This unique capability is achieved by combining two different logic blocks on the same device. Fast Function Blocks (FFBs) provide fast, pin-to-pin speed and logic throughput for critical decoding and ultra-fast state machine applications. High-density Function Blocks (FBs) provide maximum logic density and system-level features to implement complex functions with predictable timing for adders and accumulators, wide functions and state machines requiring large numbers of product terms, and other forms of complex logic.

In addition, the XC7300 architecture employs the Universal Interconnect Matrix (UIM) that guarantees 100% interconnect of all internal functions. This interconnect scheme provides constant, short interconnect delays for all routing paths through the UIM. Constant interconnect delays simplify device timing and guarantee design performance, regardless of logic placement within the chip.

All XC7300 devices are designed in 0.8 $\mu$  CMOS EPROM technology, supporting 12 ns pin-to-pin delays and system clock rates up to 80 MHz.

### The XC7300 Family

	XC7336	XC7354	XC7372	XC73108	XC73144
Typical 22VIO Equivalent	4	6	8	12	16
Number of Macrocells	36	54	72	108	144
Number of Function Blocks	4	6	8	12	16
Number of Flip-Flops	36	108	126	198	234
Number of Fast Inputs	18	24	30	42	54
Number of Signal Pins	48	66	84	120	156

All XC7300 EPLDs include programmable power management features to specify high-performance or low-power operation on an individual Macrocell-by-Macrocell basis. Unused Macrocells are automatically turned off to minimize power dissipation. Designers can operate speed-critical paths at maximum performance, while non-critical paths dissipate less power.

Xilinx development software supports XC7300-series EPLD design using third-party schematic entry tools, HDL compilers, or direct equation-based text files. Using a PC or a workstation and one of these design capture methods, designs are automatically mapped to an XC7300 EPLD in a matter of minutes.

The XC7300-series devices are available in plastic and ceramic leaded chip carriers, pin-grid-array (PGA), and quad flat pack (QFP) packages. Package options include both windowed ceramic for design prototypes and one-time programmable plastic versions for cost-effective production volume.

### Architecture

The XC7300 architecture consists of multiple pro-programmable Function Blocks interconnected by a UIM as shown in Figure 1. The Dual-Block architecture contains two types of function blocks: Fast Function Blocks and High-Density Function Blocks. Both types of function blocks, and the I/O blocks, are interconnected through the UIM.

### Fast Function Blocks

The Fast Function Block receives 24 signals and their complements from the UIM. The 24 inputs can be individually selected from the UIM, 12 fast input pins, or the nine Macrocell feedbacks from the Fast Function Block. The programmable AND array in each Fast Function Block generates 45 product terms to drive the nine Macrocells in each Fast Function Block. Each Macrocell can be configured for registered or combinatorial logic. See Figure 2.

Five product terms from the programmable AND array are allocated to each Macrocell. Four of these product terms

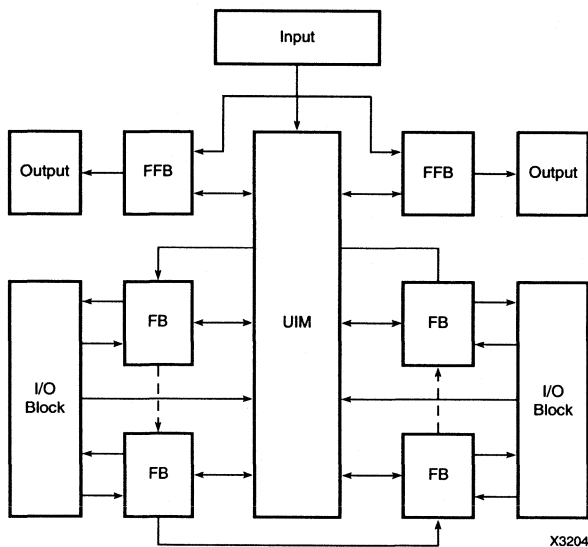


Figure 1. XC7300 Device Block Diagram

are ORed together and drive the input of a programmable D-type flip-flop. The fifth product term drives the asynchronous active-High Set Input to the Macrocell flip-flop. The flip-flop can be configured as transparent for combinatorial outputs.

The programmable clock source is one of two global Fast-CLK signals (FCLK0 or FCLK1) that are distributed with short delay and minimal skew over the entire chip.

The Fast Function Block Macrocells drive chip outputs directly through 3-state output buffers. Each output buffer can be individual controlled by one of two dedicated FastOE inputs, enabled permanently or disabled permanently. The Macrocell output is also routed back as an input to the Fast Function Block, and as an input to the UIM.

### Product Term Assignment

The XC7300-series uses a product term assignment scheme that provides product-term flexibility without disabling Macrocell outputs.

The sum-of-product OR gates for each Macrocell can be expanded using the Fast Function Block product term

assignment scheme. The product term assignment transfers product terms in increments of four product terms from one Macrocell to the next. Complex logic functions requiring up to 36 product terms can be implemented using product term assignment. When product terms are assigned to adjacent Macrocells, the product term normally dedicated to the Set function becomes the D-input to the Macrocell register. Thus, the Macrocell is still usable while product terms are transferred to adjacent Macrocells (Figure 3).

### High-Density Function Blocks

Each member of the XC7300 family contains multiple, High-Density Function Blocks linked through the UIM. Each Function Block contains nine Macrocells. Each Macrocell can be configured for either registered or combinatorial logic. A detailed block diagram of the XC7300 FB is shown in Figure 4.

Each FB receives 21 signals and their complements from the UIM and an additional three inputs from the Fast Input (FI) pins.

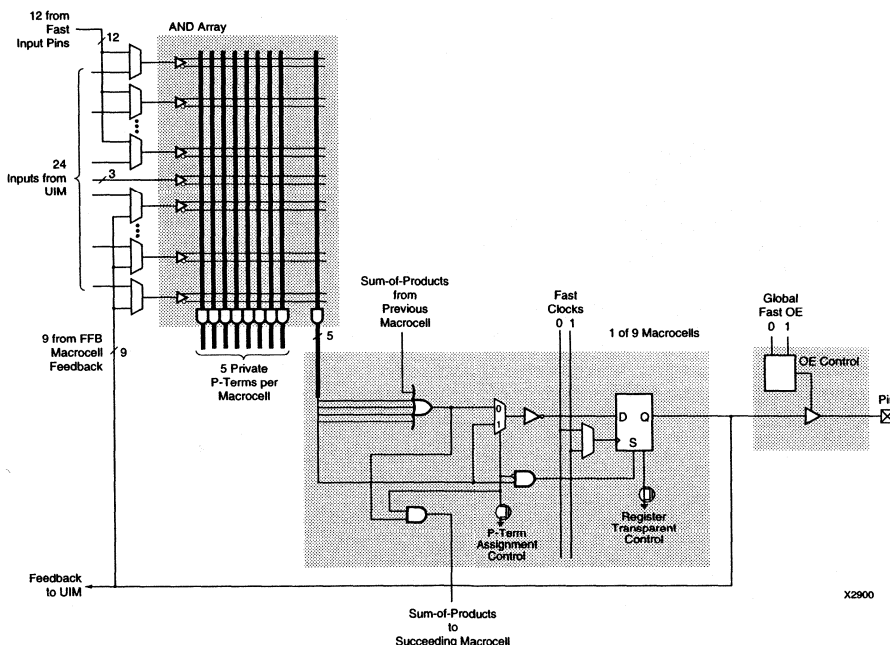
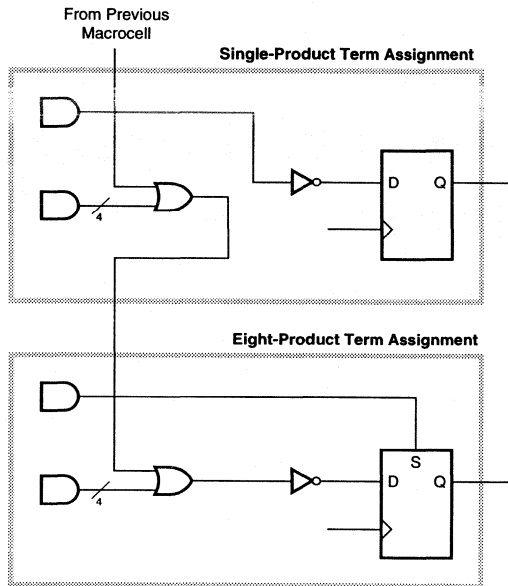


Figure 2. Fast Function Block Macrocell Schematic



X3205

Figure 3. Fast Function Block Product Term Assignment

### Shared and Private Product Terms

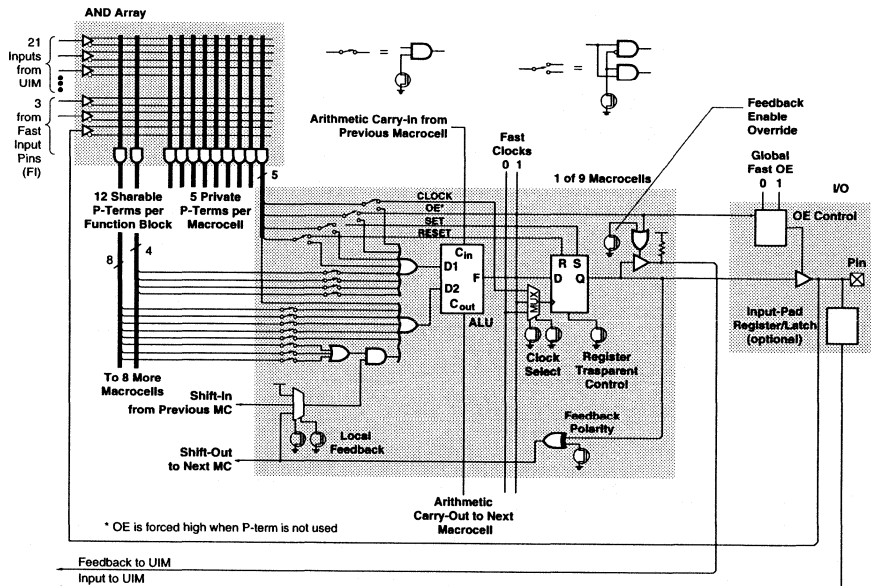
Each Macrocell contains five private product terms that can be used as the primary inputs for combinatorial functions implemented in the Arithmetic Logic Unit (ALU), or as individual Reset, Set, Output-Enable, and Clock logic functions for the flip-flop. Each Function Block also provides an additional 12 shared product terms, which are uncommitted product terms available for any of the nine Macrocells within the Function Block.

Four private product terms can be ORed together with up to four shared product terms to drive the D1 input to the ALU. The D2 input is driven by the OR of the fifth private product term and up to eight of the remaining shared product terms. The shared product terms add no logic delay, and each shared product term can be connected to one or all nine Macrocells in the Function Block.

### Arithmetic Logic Unit

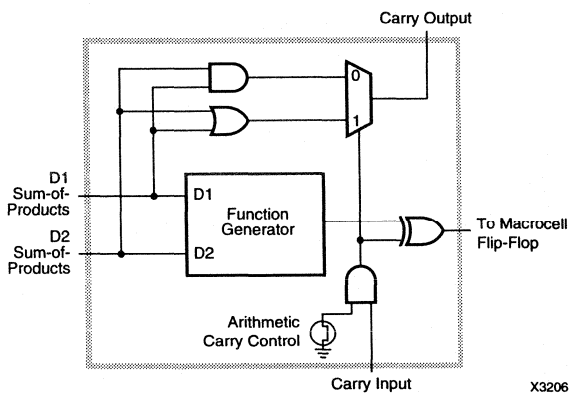
The functional versatility of each Macrocell is enhanced through additional gating and control functions available in the ALU. A detailed block diagram of the XC7300 ALU is shown in Figure 5.

The ALU has two programmable modes; *logic* and *arithmetic*. In logic mode, the ALU functions as a 2-input function generator using a 4-bit look-up table that can be programmed to generate any Boolean function of its two inputs. The function generator can OR its inputs, widen



X1829

Figure 4. High-Density Function Block and Macrocell Schematic



**Figure 5. ALU Schematic**

ing the OR function to a maximum of 17 inputs. It can AND them, which means that one sum-of-products can be used to mask the other. It can also XOR them, toggling the flip-flop or comparing the two sums of products. Either or both of the sum-of-product inputs to the ALU can be inverted, and either or both can be ignored. Therefore, the ALU can implement one additional layer of logic without any speed penalty.

In arithmetic mode, the ALU block can be programmed to generate the arithmetic sum or difference of the D1 and D2 inputs. Combined with the carry input from the next lower Macrocell, the ALU operates as a 1-bit full adder generating a carry output to the next higher Macrocell. The carry chain propagates between adjacent Macrocells and also crosses the boundaries between Function Blocks. This dedicated carry chain overcomes the inherent speed and density problems of the traditional EPLD architecture when trying to perform arithmetic functions.

### Carry Lookahead

Each Function Block provides a carry lookahead generator capable of anticipating the carry across all nine Macrocells. The carry lookahead generator reduces the ripple-carry delay of wide arithmetic functions such as add, subtract, and magnitude compare to that of the first nine bits, plus the carry lookahead delay of the higher-order Function Blocks.

### Macrocell Flip-Flop

The output from the ALU block drives the input of a programmable D-type flip-flop. The flip-flop is triggered by the rising edge of the clock input, but it can be configured as transparent, making the Q output identical to the D input, independent of the clock, or as a conventional flip-flop.

The Macrocell clock source is programmable and can be one of the private product terms or one of two global Fast-

CLK signals (FCLK0 and FCLK1). Global FastCLK signals are distributed to every Macrocell flip-flop with short delay and minimal skew.

The asynchronous Set and Reset product terms override the clocked operation. If both asynchronous inputs are active simultaneously, Reset overrides Set.

In addition to driving the chip output buffer, the Macrocell output is routed back as an input to the UIM. One private product term can be configured to control the Output Enable of the output buffer and/or the feedback to the UIM. If it is configured to control UIM feedback, the Output Enable product term forces the UIM feedback line High when the Macrocell output is disabled.

### Input/Output Blocks

Macrocells drive chip outputs directly through 3-state output buffers, each individually controlled by the Output Enable product term mentioned above. The Macrocell output can be inverted; an additional configuration option allows the output to be disabled permanently. Two dedicated FastOE inputs can also be configured to control any of the chip outputs instead of, or in conjunction with, the individual Output Enable product term. See Figure 6.

Each signal input to the chip is connected to a programmable input structure that can be configured as direct, latched, or registered. The latch and flip-flop can use one of two FastCLK signals as latch enable or clock. The two FastCLK signals are FCLK0 and a global choice of either FCLK1 or FCLK2. Latches are transparent when FastCLK is High, and flip-flops clock on the rising edge of FastCLK. The flip-flop includes an active-low clock enable, which when High, holds the present state of the flip-flop and inhibits response to the input signal. The clock enable source is one of two global Clock Enable signals (CE0 and CET). An additional configuration option is polarity inversion for each input signal.

### Universal Interconnect Matrix

The UIM receives inputs from Macrocell feedback lines, bidirectional I/O pins, and dedicated input pins. Acting as an unrestricted crossbar switch, the UIM generates 21 output signals to each High-Density Function Block and 24 output signals to each Fast Function Block.

Any UIM input can be programmed to connect to any UIM output. The delay through the interconnect matrix is constant, regardless of the routing distance and complexity, fan-out, or fan-in. Furthermore, any UIM input can drive a UIM output, even multiple outputs, and the delay is constant.

When multiple inputs are programmed to be connected to the same output, this output produces the logical AND of the input signals. By choosing the appropriate signal



Low. The FB Macrocell register preload state can be selected by the user. Note that since the device inputs may be active for part of the initialization, key inputs such as Clock, Reset, or Set should remain inactive during initialization to ensure the preloaded registers maintain the correct state before operation.

### Power Management

As EPLDs become more complex and system clock frequencies rise, control of on-chip power dissipation becomes increasingly important. The XC7300 power-management scheme permits non-speed-critical parts of a design to be operated at reduced power. Overall power dissipation is often reduced significantly, since, in most systems, only a small part is speed-critical.

Macrocells can individually be specified for high-performance or low power operation by adding attributes to the logic schematic, or declaration statements to the behavioral description. To further conserve power, unused Macrocells are automatically turned off.

Figure 7 shows typical power requirements for XC73108 device, assuming all Macrocells are enabled and switching at the indicated clock frequency. The two curves shown are for the two extreme cases; all Macrocells in high-performance mode, and all Macrocells in low-power mode. Actual chip dissipation will be between the two curves. The power for each member of the XC7300 family can be calculated for specific operating conditions by using parameters supplied in the individual data sheets.

### Erase Characteristics

In windowed packages, the content of the EPROM array can be erased by exposure to ultraviolet light of wavelengths of approximately 4000 Å. The recommended erasure time is approximately 1 hr. when the device is placed within 1 in. of an ultraviolet lamp with a 12,000  $\mu\text{W}/\text{cm}^2$  power rating. To prevent unintentional exposure, place opaque labels over the device window.

When the device is exposed to high intensity UV light for much longer periods, permanent damage can occur. The maximum integrated dose the XC7300 EPLD can be exposed to without damage is 7000  $\text{W} \cdot \text{s}/\text{cm}^2$ , or approximately one week at 12,000  $\mu\text{W}/\text{cm}^2$ .

### Design Recommendations

For proper operation, all unused input and I/O pins must be connected to a valid logic level (High or Low). The recommended decoupling for all  $V_{CC}$  pins should total 1  $\mu\text{F}$  using high-speed (tantalum or ceramic) capacitors.

Use electrostatic discharge (ESD) handling procedures with the XC7300-series EPLDs to prevent damage to the device during programming, assembly, and test.

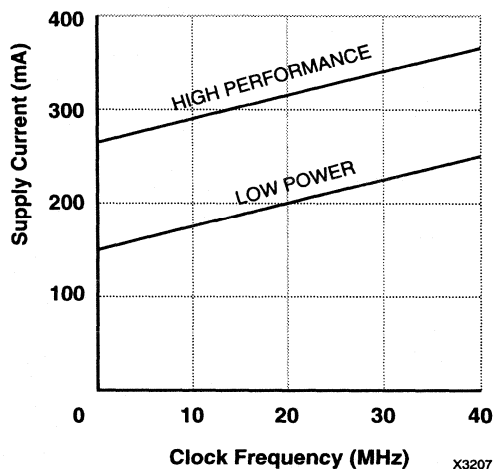


Figure 7. Typical Power Requirements for XC73108

### Design Security

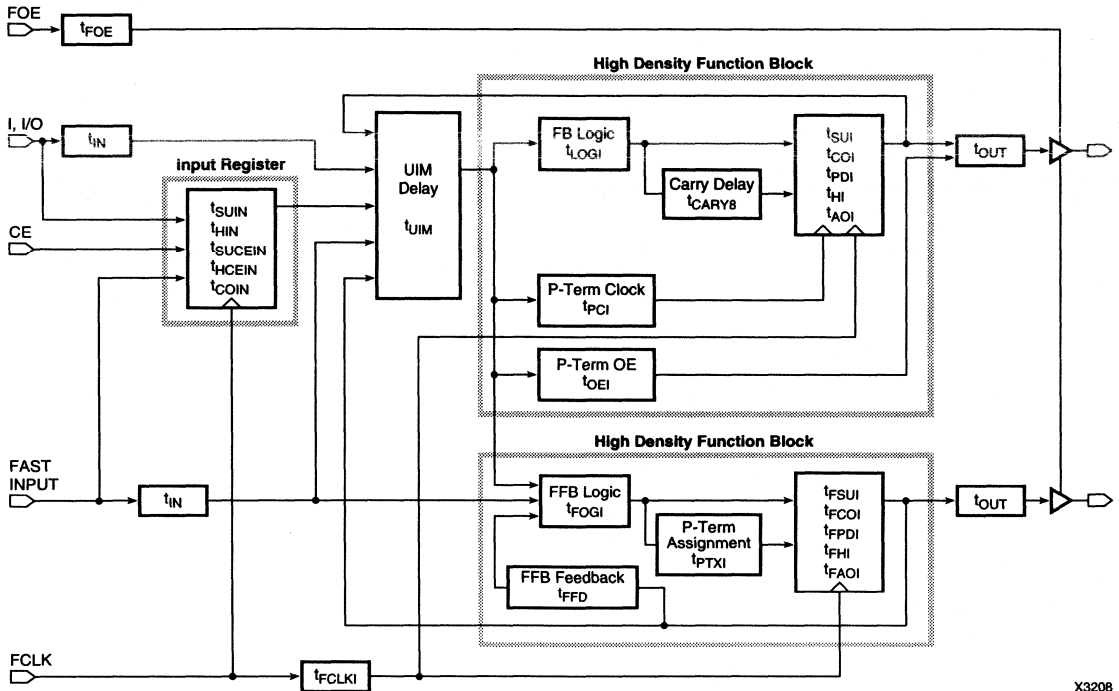
Each member of the XC7300 family has a multibit security system that controls access to the configuration programmed into the device. This security scheme uses multiple EPROM bits at various locations within the EPROM array to offer a higher degree of design security than other EPROM and fused-based devices. Programmed data within EPROM cells is invisible—even when examined under a microscope—and cannot be selectively erased. The EPROM security bits, and the device configuration data, reset when the device is erased.

### High-Volume Production Programming

The XC7300 family offers flexibility for low-volume prototypes as well as cost-effectiveness for high-volume production. The designer can start with ceramic window package parts for prototypes, ramp up initial production using low-cost plastic parts programmed in-house, and then shift into high-volume production using Xilinx factory-programmed and tested devices with competitive pricing based on volume.

The Xilinx factory-programmed concept offers significant advantages over competitive “masked PLDs,” or ASIC redesigns. For example:

- No redesign is required – Even though masked devices are advertised as timing compatible, subtle differences in a chip layout can mean system failure.
- Devices are factory tested – Factory-programmed devices are tested as part of the manufacturing flow, insuring high-quality products.



X3208

Figure 8. XC7300 Timing Model

- Shipments are delivered fast – Production shipments can begin within a few weeks, eliminating masking delays and qualification requirements.

For factory-programming procedures, contact your local Xilinx representative.

**Timing Model**

Timing within the XC7300-series EPLDs is easily determined using external timing parameters from the device data sheet, using a variety of CAE simulators, or with the timing model shown in Figure 8.

The timing model is based on the fixed internal delays of the XC7300 architecture which consists of four basic parts: I/O Blocks, the UIM, Fast Function Blocks and High-Density Function Blocks. The timing model identifies the internal delay paths and their relationships to ac characteristics. Using this model and the ac characteristics, designers can easily calculate the timing information for a particular EPLD.

**XEPLD Development System**

The designer can create, implement, and verify digital logic circuits for EPLD devices using the Xilinx XEPLD Development System. Designs can be represented as schematics consisting of XEPLD library components, as behavioral descriptions, or as a mixture of both. The XEPLD translator maps the design quickly and automati-

cally onto a chosen EPLD device, produces documentation for design analysis and creates a programming file to configure the device.

The following lists some of the XEPLD Development System features.

- Familiar design approach similar to TTL and PLD techniques
- Converts netlist to fuse map in minutes using a '486 PC or workstation platform
- Interfaces to standard third-party CAE schematics, simulation tools, and behavioral languages
- Schematic library with familiar and powerful TTL-like components, including PLDs and ALUs
- Predictable timing even before design entry, using library components and Boolean equations
- Timing simulation using Viewsim, OrCAD VST, and other tools controlled by the Xilinx Design Manager (XDM) program



## Advance Product Information

### Features

- High-Performance EPLD
  - 12 ns pin-to-pin delay
  - 80 MHz maximum clock frequency
- Advanced Dual-Block architecture
  - 2 Fast Function Blocks
  - 10 High-Density Function Blocks
- 100% interconnect matrix
- High-Speed arithmetic carry network
  - 1 ns ripple-carry delay per bit
  - 35 MHz 16-bit accumulators
- 108 Macrocells with programmable I/O architecture
- Up to 90 inputs programmable as direct, latched, or registered
- 18 outputs with 24 mA drive
- 3.3 V or 5 V I/O operation
- Meets JEDEC Standard (8-1A) for 3.3 V  $\pm$ 0.3 V
- Power management options
- Multiple security bits for design protection
- 84-pin leaded chip carrier and 144-pin Pin-Grid-Array packages
- Footprint compatible with XC7372 and XC73144 devices

### General Description

The XC73108 is a member of the Xilinx Dual-Block EPLD family. It consists of two Fast Function Blocks and ten High-Density Function Blocks interconnected by a central Universal Interconnect Matrix (UIM).

The Universal Interconnect Matrix connects the Function Blocks to each other and to all input pins, providing 100% connectivity between the Function Blocks. This allows logic functions to be mapped into the Function Blocks and interconnected without routing restrictions.

The 12 Functions Blocks in the XC73108 (Figure 1) are PAL-like structures, complete with programmable product term arrays and programmable multilevel Macrocells. Each Function Block receives 24 inputs, contains nine

Macrocells configurable for registered or combinatorial logic and produces nine outputs which feedback to the UIM. For complete description of device functionality, see the XC7300 EPLD Family data sheet.

### Power Management

The XC73108 power management scheme allows designers to control on-chip power dissipation by configuring individual Macrocells to operate in high-performance or low-power modes of operation. Unused Macrocells are turned off to minimize power dissipation.

Figure 7 in the XC7300 Family data sheet shows typical power requirements for the XC73108 device, assuming all Macrocells are enabled and switching at the indicated clock frequency. The top and bottom curves show the two extreme cases of all Macrocells in high-performance mode, and all Macrocells in low-power mode. Actual chip dissipation will be between the two curves.

Power dissipation for each design can be approximated for specific operating conditions using the following equation.

$$I_{CC} = (MC_{LP} \cdot 1.35 \text{ mA}) + (MC_{HP} \cdot 2.5 \text{ mA}) + (MC_1 \cdot f_1 \cdot 0.02 \text{ mA/MHz}) + \dots + (MC_n \cdot f_n \cdot 0.02 \text{ mA/MHz})$$

Where:

$MC_{LP}$  = Number of Macrocells in low-power mode

$MC_{HP}$  = Number of Macrocells in high-performance mode

$MC_1$  = Number of Macrocells operating at frequency  $f_1$  in MHz

$MC_n$  = Number of Macrocell operating at frequency  $f_n$  in MHz

**Note:** Number of Macrocells refers to both Fast Function Block (FFB) and High-Density Function Block (FB) Macrocells.

For example, in a system design with 72 Macrocells in low-power mode at 20 MHz, 18 Macrocells in high-performance mode at 40 MHz, and 18 Macrocells in high-performance mode at 80 MHz:

$$I_{CC} = (72 \cdot 1.35) + (36 \cdot 2.5) + (72 \cdot 20 \cdot 0.02) + (18 \cdot 40 \cdot 0.02) + (18 \cdot 80 \cdot 0.02)$$

$$I_{CC} = 97 + 90 + 29 + 14 + 29 = 259 \text{ mA}$$

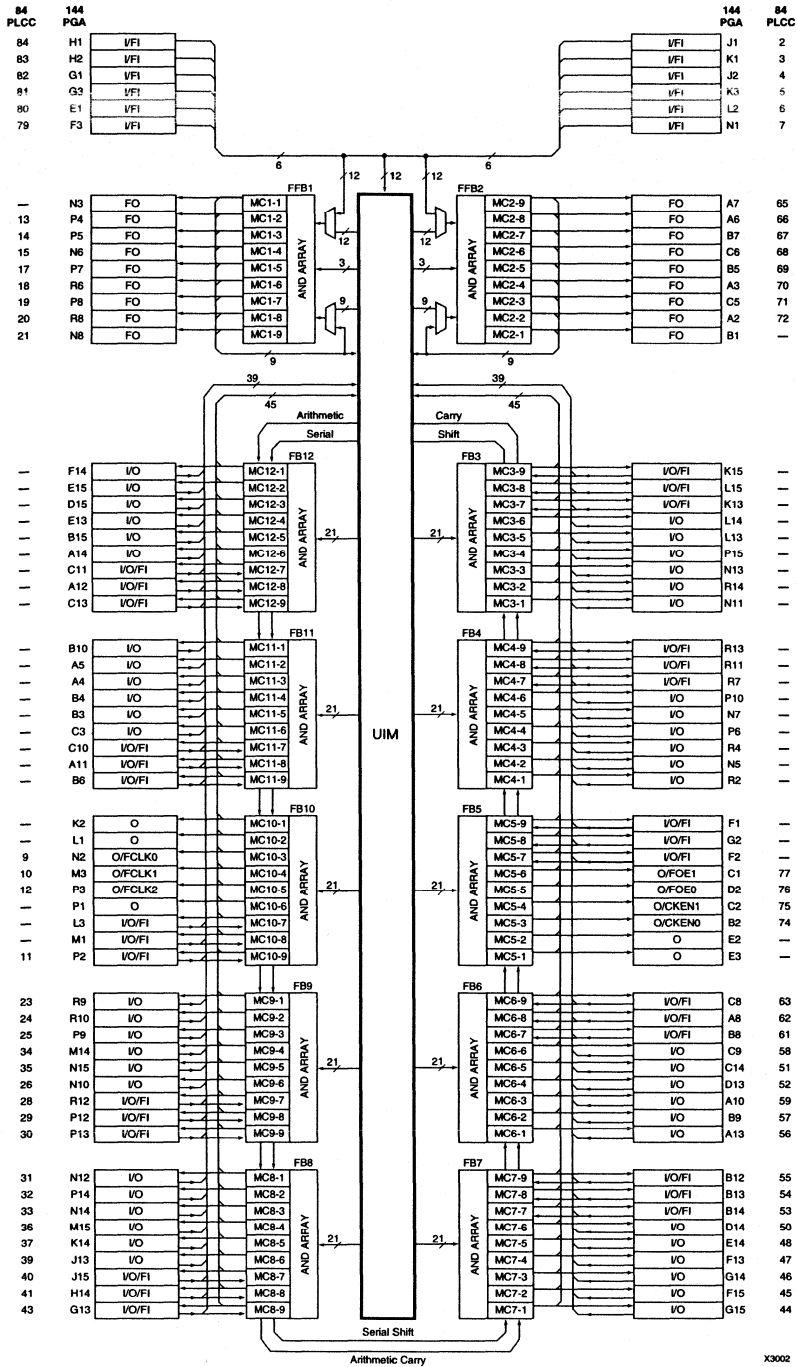


Figure 1. XC73108 Functional Block Diagram

Notice: The information contained in this data sheet pertains to products in the initial production phases of development. These specifications are subject to change without notice. Verify with your local Xilinx sales office that you have the latest data sheet before finalizing a design.

### Absolute Maximum Ratings

Symbol	Parameter	Value	Units
$V_{CC}$	Supply voltage with respect to GND	-0.5 to 7.0	V
$V_{IN}$	DC Input voltage with respect to GND	-0.5 to 7.0	V
$V_{TS}$	Voltage applied to 3-state output with respect to GND	-0.5 to 7.0	V
$T_{STG}$	Storage temperature	-65 to +150	°C
$T_{SOL}$	Maximum soldering temperature (10s @ 1/16 in. = 1.5 mm)	+260	°C

**Warning.** Stresses beyond those listed under Absolute Maximum Ratings may cause permanent damage to the device. These are stress ratings only, and functional operation of the device at these or any other conditions beyond those listed under Recommended Operating Conditions is not implied. Exposure to Absolute Maximum Ratings conditions for extended periods of time may affect device reliability.

### Recommended Operating Conditions

Symbol	Parameter	Min	Max	Units
$V_{CCINT}/V_{CCIO}$	Supply voltage relative to GND @ 5 V Commercial 0° C to 70° C	4.75	5.25	V
	Supply voltage relative to GND @ 5 V Industrial -40° C to 85° C	4.5	5.5	V
$V_{CCIO}$	I/O supply voltage relative to GND @ 3.3 V	3.0	3.6	V
$V_{IL}$	Low-level input voltage	0	0.8	V
$V_{IH}$	High-level input voltage	2.0	$V_{CC}+0.3$	V
$V_O$	Output voltage	0	$V_{CCIO}$	V

## DC Characteristics Over Recommended Operating Conditions

Symbol	Parameter	Test Conditions	Min	Max	Units
V <sub>OH</sub>	5 V TTL High-level output voltage	I/O = -4.0 mA V <sub>CC</sub> = Min	2.4		V
	3.3 V High-level output voltage	I/O = -3.2 mA V <sub>CC</sub> = Min	2.4		V
V <sub>OL</sub>	5 V Low-level output voltage	FO = 24 mA I/O = 12 mA V <sub>CC</sub> = Min		0.5	V
	3.3 V Low-level output voltage	I/O = 10 mA V <sub>CC</sub> = Min		0.4	V
I <sub>IL</sub>	Input leakage current	V <sub>CC</sub> = Max V <sub>IN</sub> = GND or V <sub>CCIO</sub>		±10	μA
I <sub>OZ</sub>	Output high-Z leakage current	V <sub>CC</sub> = Max V <sub>O</sub> = GND or V <sub>CCIO</sub>		±10	μA
C <sub>IN</sub>	Input capacitance for Input and I/O pins	V <sub>IN</sub> = GND f = 1.0 MHz		10	pF
C <sub>IN</sub>	Input capacitance for global control pins (FCLK0, FCLK1, FCLK2, FOE0, FOE1)	V <sub>IN</sub> = GND f = 1.0 MHz		15	pF
C <sub>OUT</sub>	Output capacitance*	V <sub>O</sub> = GND f = 1.0 MHz		20	pF

\* Sample tested

## Power-up/Reset Timing Parameters

Symbol	Parameter	Min	Type	Max	Units
t <sub>WMR</sub>	Master Reset input Low pulse width	100			ns
t <sub>VCCR</sub>	V <sub>CC</sub> rise time (if MR not used for power-up)**			5	μs
t <sub>RESET</sub>	Configuration completion time (to outputs operational)			200	μs

\*\*V<sub>CC</sub> rise *must be* monotonic. Following reset, the Clock, Reset, and Set inputs must not be asserted until all applicable input and feedback set-up times are met in order to guarantee a predictable initial state.

### Fast Function Block (FFB) External AC Characteristics

Symbol	Parameter	XC73108-12		XC73108-15		XC73108-20		Units
		Min	Max	Min	Max	Min	Max	
$f_{CF}$	Max count frequency <sup>(1, 2)</sup>		80		67		50	MHz
$t_{SUF}$	Direct input setup time before FCLK $\uparrow$ <sup>(1)</sup>	6		7		10		ns
$t_{HF}$	Direct input hold time after FCLK $\uparrow$	0		0		0		ns
$t_{COF}$	FCLK $\uparrow$ to output valid		9		12		15	ns
$t_{PDFO}$	Direct input to output valid <sup>(1, 2)</sup>		12		15		20	ns
$t_{PDFU}$	I/O to output valid <sup>(1, 2)</sup>		22		27		35	ns
$t_{CWF}$	Fast clock pulse width	6		7		9		ns

### High-Density Function Block (FB) External AC Characteristics

Symbol	Parameter	XC73108-12		XC73108-15		XC73108-20		Units
		Min	Max	Min	Max	Min	Max	
$f_C$	Max count frequency <sup>(1, 2)</sup>		55		45		35	MHz
$t_{SU}$	I/O setup time before FCLK $\uparrow$ <sup>(1, 2)</sup>	18		22		28		ns
$t_H$	I/O hold time after FCLK $\uparrow$	-8		-10		-13		ns
$t_{CO}$	FCLK $\uparrow$ to output valid		12		15		20	ns
$t_{PSU}$	I/O setup time before p-term clock $\uparrow$ <sup>(2)</sup>	7		9		12		ns
$t_{PH}$	I/O hold time after p-term clock $\uparrow$	0		0		0		ns
$t_{PCO}$	P-term clock $\uparrow$ to output valid		23		28		36	ns
$t_{PD}$	I/O to output valid <sup>(1, 2)</sup>		30		36		45	ns
$t_{CW}$	Fast clock pulse width	6		7		9		ns
$t_{PCW}$	P-term clock pulse width	8		10		12		ns

- Notes:
1. This parameter is given for the high-performance mode. In low-power mode, this parameter is increased due to additional logic delay of  $t_{LOGILP} - t_{LOGI}$ .
  2. Specifications account for logic paths that use the maximum number of available product terms for a given Macrocell.

## Fast Function Block (FFB) Internal AC Characteristics

Symbol	Parameter	XC73108-12		XC73108-15		XC73108-20		Units
		Min	Max	Min	Max	Min	Max	
t <sub>FLOGI</sub>	FFB logic array delay <sup>(2)</sup>		2		2		3	ns
t <sub>FLOGILP</sub>	Low-power FFB logic array delay <sup>(2)</sup>		7		8		11	ns
t <sub>FSUI</sub>	FFB register setup time	3		4		6		ns
t <sub>FHI</sub>	FFB register hold time	3		3		4		ns
t <sub>FCOI</sub>	FFB register clock-to-output delay		1		1		1	ns
t <sub>FPDI</sub>	FFB register pass through delay		1		1		2	ns
t <sub>FAOI</sub>	FFB register async. set delay		3		4		6	ns
t <sub>PTXI</sub>	FFB p-term assignment delay		1.2		1.5		2.0	ns

## High-Density Function Block (FFB) Internal AC Characteristics

Symbol	Parameter	XC73108-12		XC73108-15		XC73108-20		Units
		Min	Max	Min	Max	Min	Max	
t <sub>LOGI</sub>	FB logic array delay <sup>(2)</sup>		4		5		6	ns
t <sub>LOGILP</sub>	Low power FB logic delay <sup>(2)</sup>		9		11		14	ns
t <sub>SUI</sub>	FB register setup time	3		4		6		ns
t <sub>HI</sub>	FB register hold time	4		5		6		ns
t <sub>COI</sub>	FB register clock-to-output delay		1		1		1	ns
t <sub>PDI</sub>	FB register pass through delay		4		4		4	ns
t <sub>AOI</sub>	FB register async. set/reset delay		4		5		7	ns
t <sub>RA</sub>	Set/reset recovery time before FCLK ↑	21		25		31		ns
t <sub>HA</sub>	Set/reset hold time after FCLK ↑	0		0		0		ns
t <sub>PRA</sub>	Set/reset recovery time before p-term clock ↑	12		15		20		ns
t <sub>PHA</sub>	Set/reset hold time after p-term clock ↑	8		9		12		ns
t <sub>PCI</sub>	FB p-term clock delay		0		0		0	ns
t <sub>OEI</sub>	FB p-term output enable delay		5		7		9	ns
t <sub>CARY8</sub>	ALU carry delay within 1 FB <sup>(3)</sup>		8		12		15	ns
t <sub>CARYFB</sub>	Carry lookahead delay per additional Functional Block <sup>(3)</sup>		2		3		4	ns

Notes: 2. Specifications account for logic paths that use the maximum number of available product terms for a given Macrocell.

3. Arithmetic carry delays are measured as the increase in required set-up time to adjacent Macrocell(s) for adder with registered outputs.

## I/O Block External AC Characteristics

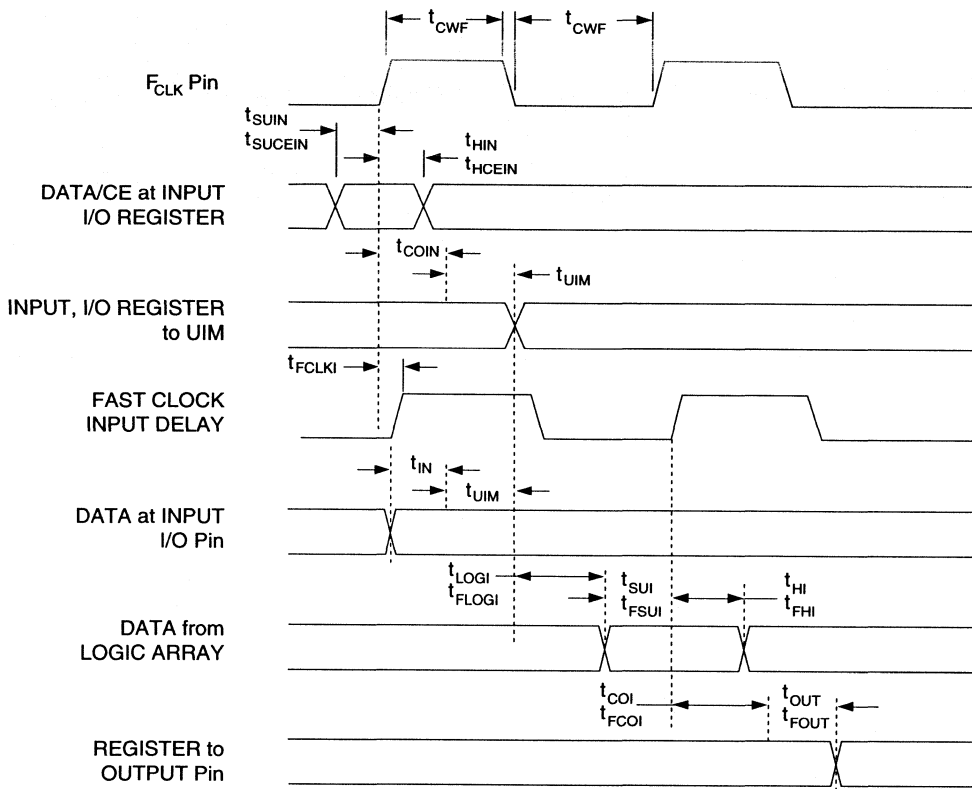
Symbol	Parameter	XC73108-12		XC73108-15		XC73108-20		Units
		Min	Max	Min	Max	Min	Max	
$f_{IN}$	Max pipeline frequency (input register to FFB or FB register) <sup>(2)</sup>		55		45		35	MHz
$t_{SUIIN}$	Input register/latch setup time before FCLK $\uparrow$	8		10		12		ns
$t_{HIN}$	Input register/latch hold time after FCLK $\uparrow$	0		0		0		ns
$t_{COIN}$	FCLK $\uparrow$ to input register/latch output		4		5		6	ns
$t_{CESUIIN}$	Clock enable setup time before FCLK $\uparrow$	8		10		12		ns
$t_{CEHIN}$	Clock enable hold time after FCLK $\uparrow$	0		0		0		ns
$t_{CWHIN}$	FCLK pulse width high time	6		7		9		ns
$t_{CWLIN}$	FCLK pulse width low time	6		7		9		ns

## Internal AC Characteristics

Symbol	Parameter	XC73108-12		XC73108-15		XC73108-20		Units
		Min	Max	Min	Max	Min	Max	
$t_{IN}$	Input pad and buffer delay		4		5		6	ns
$t_{FOUT}$	FFB output buffer and pad delay		5		7		9	ns
$t_{OUT}$	FB output buffer and pad delay		8		10		14	ns
$t_{UIM}$	Universal Interconnect Matrix delay		10		12		15	ns
$t_{FOEI}$	Fast output enable/disable buffer delay		12		15		20	ns
$t_{FCLKI}$	Fast clock buffer delay		3		4		5	ns

Note: 2. Specifications account for logic paths that use the maximum number of available product terms for a given Macrocell.

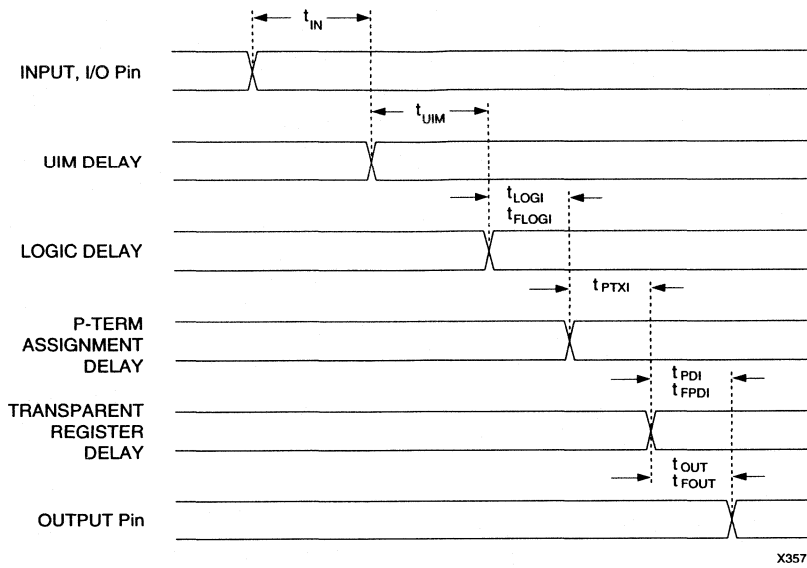
Synchronous Clock Switching Characteristics



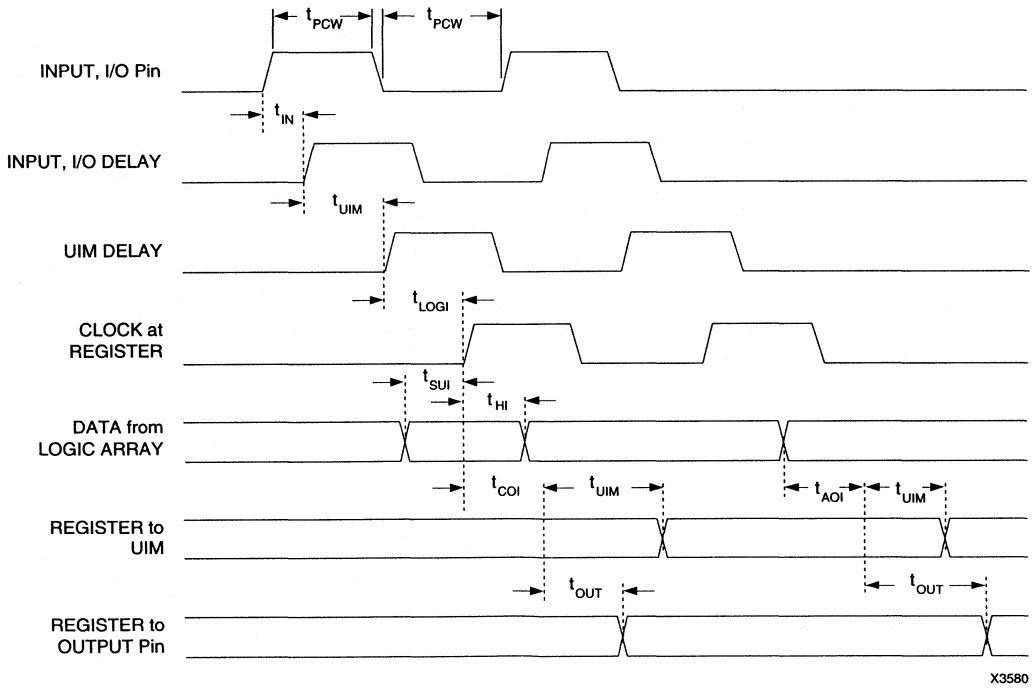
X3577



### Combinatorial Switching Characteristics



### Asynchronous Clock Switching Characteristics



## XC73108 84-Pin LCC Pinouts

Pin Description	LCC Pin No.
V <sub>CCIO</sub>	–
O/CE1	75
FO	–
O/FOE0	76
O	–
O/FOE1	77
O	–
V <sub>CCINT</sub> /V <sub>PP</sub>	78
I/FI	79
I/O/FI	–
I/FI	80
I/O/FI	–
I/FI	81
I/O/FI	–
I/FI	82
I/FI	83
I/FI	84
<b>GND</b>	–
MR	1
I/FI	2
I/FI	3
I/FI	4
O	–
I/FI	5
O	–
I/FI	6
I/O/FI	–
I/FI	7
<b>GND</b>	8
I/O/FI	–
O/FCLK0	9
O	–
O/FCLK1	10
FO	–
I/O/FI	11
<b>GND</b>	–

Pin Description	LCC Pin No.
V <sub>CCIO</sub>	–
O/FCLK2	12
I/O	–
FO	13
I/O	–
V <sub>CCINT</sub>	–
FO	14
I/O	–
FO	15
I/O	–
<b>GND</b>	16
FO	17
I/O	–
FO	18
I/O/FI	–
FO	19
FO	20
FO	21
V <sub>CCIO</sub>	22
I/O	23
I/O	24
I/O	25
I/O	–
I/O	26
I/O/FI	–
<b>GND</b>	27
I/O/FI	28
I/O/FI	–
I/O/FI	29
I/O	–
I/O/FI	30
I/O	–
I/O	31
I/O	–
I/O	32
<b>GND</b>	–

Pin Description	LCC Pin No.
V <sub>CCIO</sub>	–
I/O	33
I/O	–
I/O	34
I/O	–
I/O	35
I/O	–
I/O	36
I/O/FI	–
I/O	37
I/O/FI	–
V <sub>CCINT</sub>	38
I/O	39
I/O/FI	–
I/O/FI	40
I/O/FI	41
<b>GND</b>	–
<b>GND</b>	42
I/O/FI	43
I/O	44
I/O	45
I/O	46
I/O	–
I/O	47
I/O	–
I/O	48
I/O	–
<b>GND</b>	49
I/O	50
I/O	–
I/O	51
I/O	–
I/O	52
I/O/FI	–
I/O/FI	53
<b>GND</b>	–

Pin Description	LCC Pin No.
V <sub>CCIO</sub>	–
I/O/FI	54
I/O	–
I/O/FI	55
I/O/FI	–
I/O	56
<b>GND</b>	–
I/O/FI	–
I/O/FI	–
I/O	–
I/O/FI	–
I/O	57
I/O	58
I/O	59
<b>GND</b>	60
I/O/FI	61
I/O/FI	62
I/O/FI	63
V <sub>CCIO</sub>	64
FO	65
FO	66
FO	67
I/O/FI	–
FO	68
I/O	–
FO	69
I/O	–
FO	70
I/O	–
FO	71
I/O	–
FO	72
V <sub>CCINT</sub>	73
I/O	–
O/CE0	74
<b>GND</b>	–

### XC73108 144-Pin PGA Pinouts

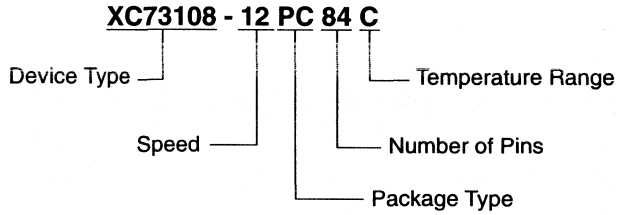
Pin Description	PGA Pin No.
V <sub>CCIO</sub>	D3
O/CE1	C2
FO	B1
O/FOE0	D2
O	E3
O/FOE1	C1
O	E2
V <sub>CCINT</sub> /V <sub>PP</sub>	D1
I/FI	F3
I/O/FI	F2
I/FI	E1
I/O/FI	G2
I/FI	G3
I/O/FI	F1
I/FI	G1
I/FI	H2
I/FI	H1
<b>GND</b>	H3
MR	J3
I/FI	J1
I/FI	K1
I/FI	J2
O	K2
I/FI	K3
O	L1
I/FI	L2
I/O/FI	M1
I/FI	N1
<b>GND</b>	M2
I/O/FI	L3
O/FCLK0	N2
O	P1
O/FCLK1	M3
FO	N3
I/O/FI	P2
<b>GND</b>	R1

Pin Description	PGA Pin No.
V <sub>CCIO</sub>	N4
O/FCLK2	P3
I/O	R2
FO	P4
I/O	N5
V <sub>CCINT</sub>	R3
FO	P5
I/O	R4
FO	N6
I/O	P6
<b>GND</b>	R5
FO	P7
I/O	N7
FO	R6
I/O/FI	R7
FO	P8
FO	R8
FO	N8
V <sub>CCIO</sub>	N9
I/O	R9
I/O	R10
I/O	P9
I/O	P10
I/O	N10
I/O/FI	R11
<b>GND</b>	P11
I/O/FI	R12
I/O/FI	R13
I/O/FI	P12
I/O	N11
I/O/FI	P13
I/O	R14
I/O	N12
I/O	N13
I/O	P14
<b>GND</b>	R15

Pin Description	PGA Pin No.
V <sub>CCIO</sub>	M13
I/O	N14
I/O	P15
I/O	M14
I/O	L13
I/O	N15
I/O	L14
I/O	M15
I/O/FI	K13
I/O	K14
I/O/FI	L15
V <sub>CCINT</sub>	J14
I/O	J13
I/O/FI	K15
I/O/FI	J15
I/O/FI	H14
<b>GND</b>	H15
<b>GND</b>	H13
I/O/FI	G13
I/O	G15
I/O	F15
I/O	G14
I/O	F14
I/O	F13
I/O	E15
I/O	E14
I/O	D15
<b>GND</b>	C15
I/O	D14
I/O	E13
I/O	C14
I/O	B15
I/O	D13
I/O/FI	C13
I/O/FI	B14
<b>GND</b>	A15

Pin Description	PGA Pin No.
V <sub>CCIO</sub>	C12
I/O/FI	B13
I/O	A14
I/O/FI	B12
I/O/FI	C11
I/O	A13
<b>GND</b>	B11
I/O/FI	A12
I/O/FI	C10
I/O	B10
I/O/FI	A11
I/O	B9
I/O	C9
I/O	A10
<b>GND</b>	A9
I/O/FI	B8
I/O/FI	A8
I/O/FI	C8
V <sub>CCIO</sub>	C7
FO	A7
FO	A6
FO	B7
I/O/FI	B6
FO	C6
I/O	A5
FO	B5
I/O	A4
FO	A3
I/O	B4
FO	C5
I/O	B3
FO	A2
V <sub>CCINT</sub>	C4
I/O	C3
O/CE0	B2
<b>GND</b>	A1

## Ordering Information



### Speed Options

-12	12 ns pin-to-pin delay
-15	15 ns pin-to-pin delay
-20	20 ns pin-to-pin delay

### Packaging Options

PC84	84-Pin Plastic Leaded Chip Carrier
WC84	84-Pin Windowed Ceramic Leaded $\nabla$ Chip Carrier
PG144	144-Pin Windowed Pin-Grid-Array

### Temperature Options

C	Commercial	0° C to 70° C
I	Industrial	-40° C to 85° C

- 1 Programmable Logic Devices**
- 2 FPGA Product Descriptions and Specifications**
- 3 EPLD Product Descriptions and Specifications**

#### ***4 Packages and Thermal Characteristics***

- 5 Quality, Testing and Reliability**
  - 6 Technical Support**
  - 7 Development Systems**
  - 8 Applications**
  - 9 The Best of XCELL**
  - 10 Index, Sales Offices**
-



## Packages and Thermal Characteristics

---

Package Options .....	4-1
I/O Pins Per Package .....	4-1
Physical Dimensions .....	4-2
Package Thermal Characterization Methods & Conditions .....	4-18
Thermal Resistance .....	4-19
Component Average Mass by Package Type .....	4-22
Plastic Surface Mount Components .....	4-23
Sockets .....	4-25

---



# Packages and Thermal Characteristics

## Package Options

		Surface Mount				Through-hole
		PLCC	PQFP	TQFP	CQFP	PGA
	<b>Standard Lead Pitch Body Temp Options Ordering Code</b>	JEDEC 50 mil Plastic C, I PC	EIAJ 0.65/0.5 mm Plastic C, I PQ	EIAJ 0.5 mm Plastic C, I TQ	JEDEC 25 mil Ceramic M, B CB	JEDEC 100 mil Ceramic/Plastic C, I, M, B PG, PP
<b>EPLD Family</b>	XC7236/XC7236A XC7272A XC73108	44 68, 84 84	160	100		84 84, 144
<b>FPGA Family</b>	XC2064 XC2018	44, 68 44, 68, 84		100		68 84
	XC3020/XC3120 XC3030/XC3130 XC3042/XC3142 XC3064/XC3164 XC3090/XC3190 XC3195	68, 84 44, 68, 84 84 84 84 84	100 100 100 160 160, 208 160, 208	100 100	100 100	84 84 84, 132 132 175 175, 223
	XC4002A XC4003A XC4003H XC4004/XC4004A XC4005/XC4005A XC4005H XC4006 XC4008 XC4010 XC4013	84 84 84 84 84	100 100 208 160 160, 208 240 160, 208 208 208 208, 240	100 100 100	100 164 196 196	120 120 191 120 156 223 156 191 191 223

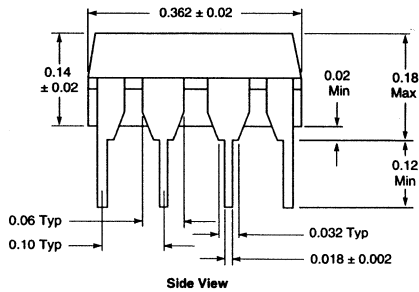
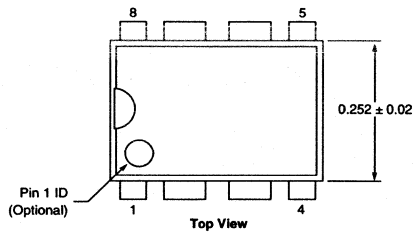
## I/O Pins Per Packages

X3246

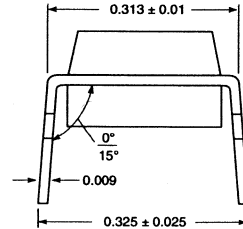
	Max I/O	Package															
		44 PC,WC	68 PC,PG,WC	84 PC,PG,WC	100 PQ,TQ,CB	120 PG	132 PG	144 PG	156 PG	160 PQ	164 CB	175 PG	191 PG	196 CB	208 PQ	223 PG	240 PQ
<b>EPLD Family</b>																	
XC7236/XC7236A XC7272A XC73108	36 72 120	36	56	72	84			120	120								
<b>FPGA Family</b>																	
XC2064 XC2018	58 74	34 34	58 64	74	74 (TQ only)												
XC3020/XC3120 XC3030/XC3130 XC3042/XC3142 XC3064/XC3164 XC3090/XC3190 XC3195	64 80 96 120 144 176	34	58	74 74 70 70	80 82		96 110		120 138 138	142 144	144 144			144 176	176		
XC4002A XC4003A XC4003H XC4004A XC4005/XC4005A XC4005H XC4006 XC4008 XC4010 XC4013	64 80 160 96 112 192 128 144 160 192			61 61	64 77	64 80	95				96 112	112	160		112 128 144 160	192 192	192 192

X3247

*Physical Dimensions*

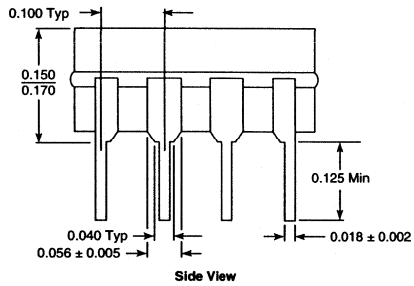
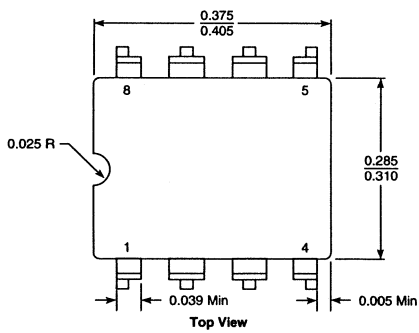


Dimensions in Inches

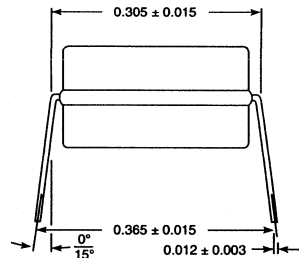


X3077

**8-Pin Plastic DIP (PD8)**



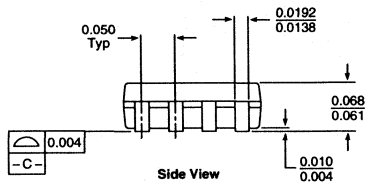
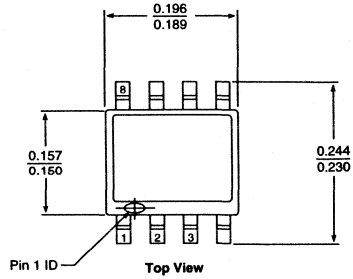
Dimensions in Inches



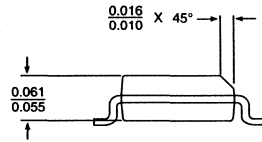
X3065

**8-Pin Ceramic DIP (DD8)**



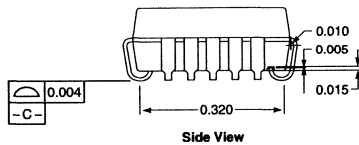
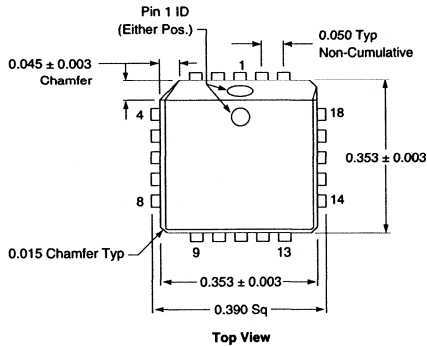


Dimensions in Inches  
Lead Pitch 50 Mil

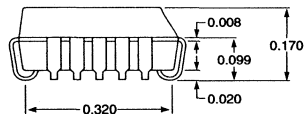


X3040

### 8-Pin Small Outline (SO8)

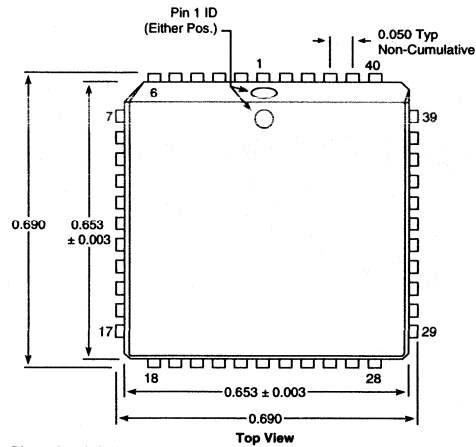


Dimensions in Inches  
Lead Pitch 50 Mil

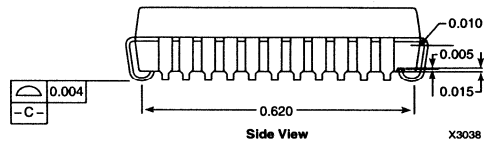


X3041

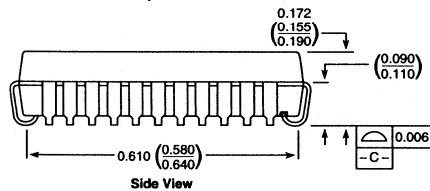
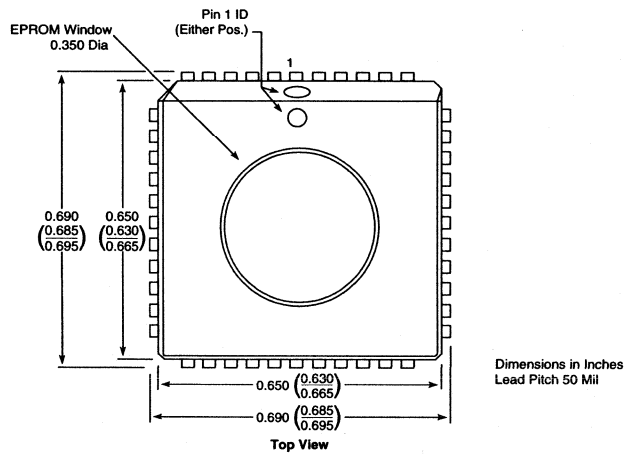
### 20-Pin Plastic PLCC (PC20)



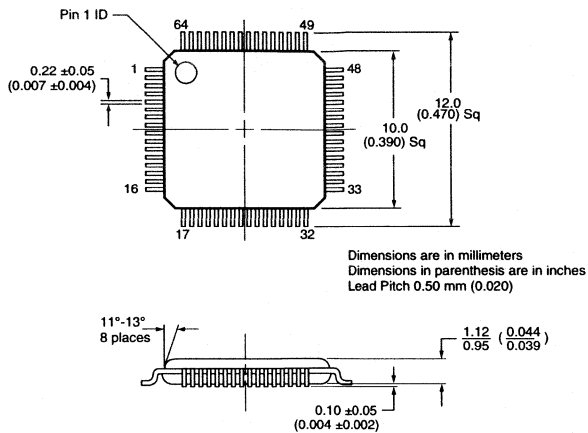
Dimensions in Inches  
Lead Pitch 50 Mil



44-Pin Plastic PLCC (PC44)

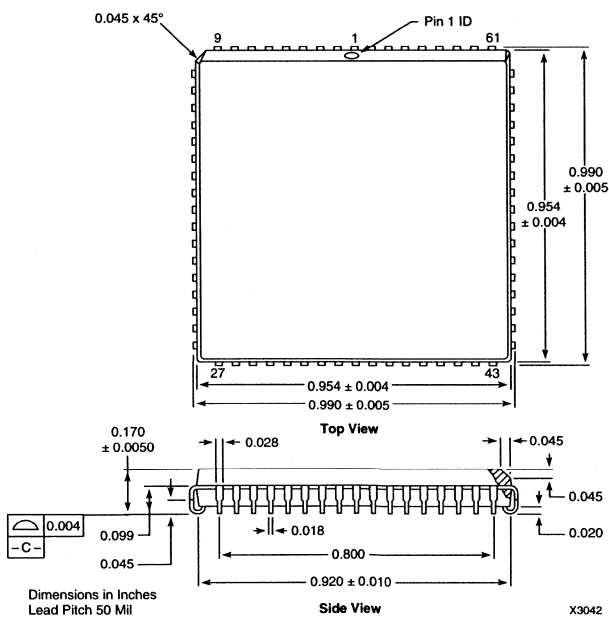


44-Pin Windowed Ceramic CLCC (WC44)



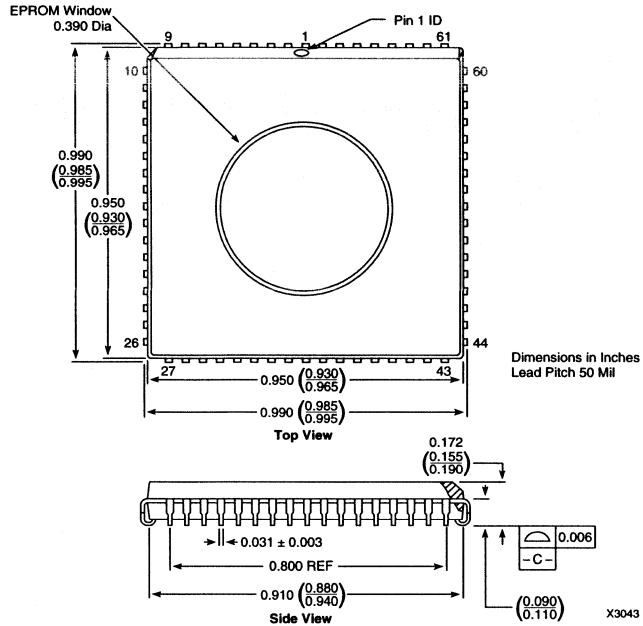
X3163

**64-Pin VQFP (VQ64)**

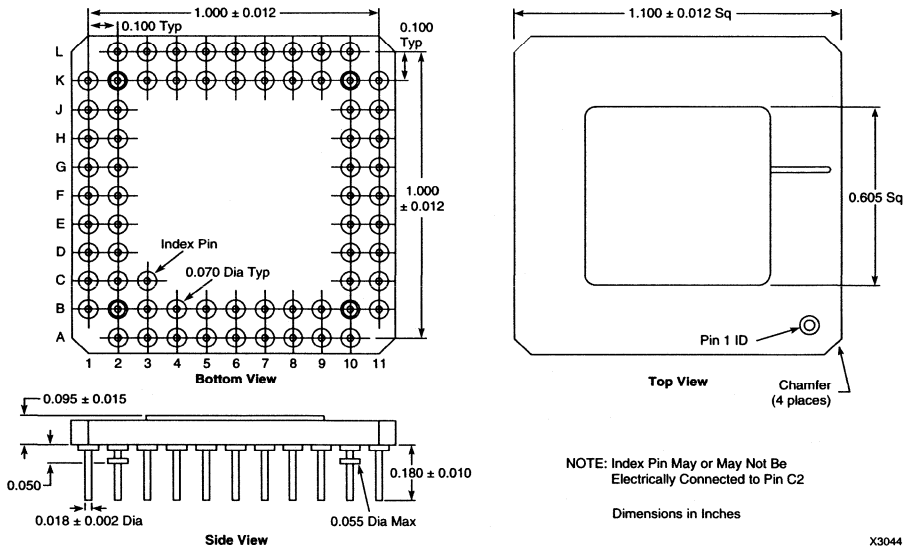


X3042

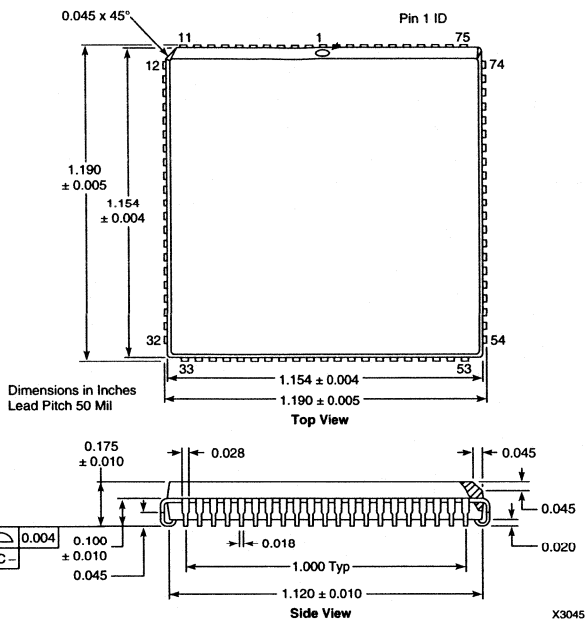
**68-Pin Plastic PLCC (PC68)**



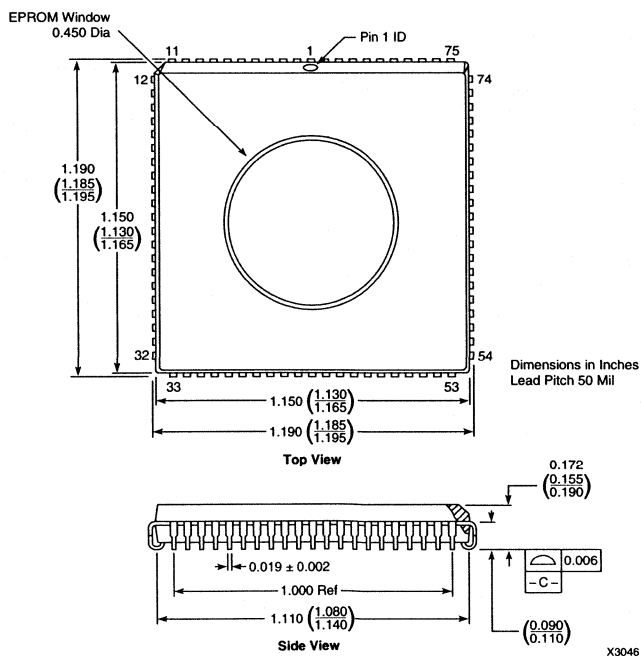
68-Pin Windowed CLCC (WC68)



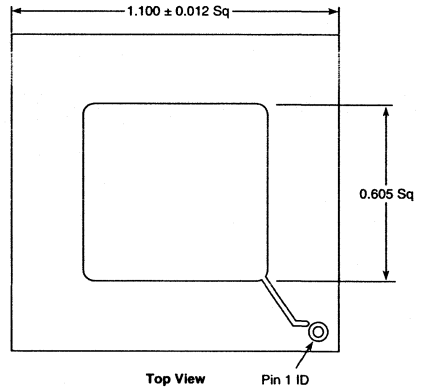
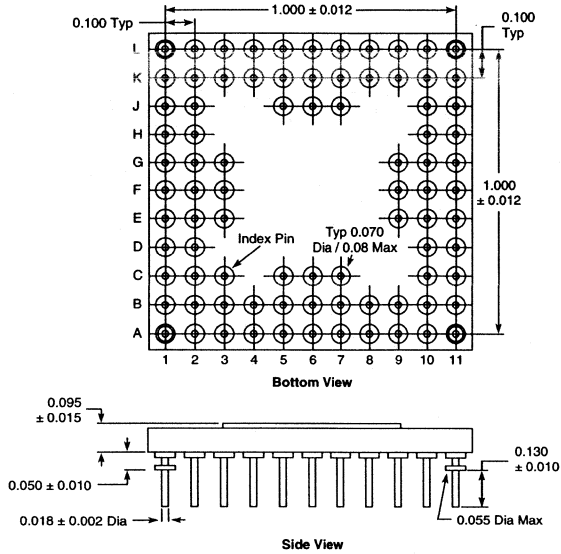
68-Pin Ceramic PGA (PG68)



### 84-Pin Plastic PLCC (PC84)



### 84-Pin Windowed CLCC (WC84)

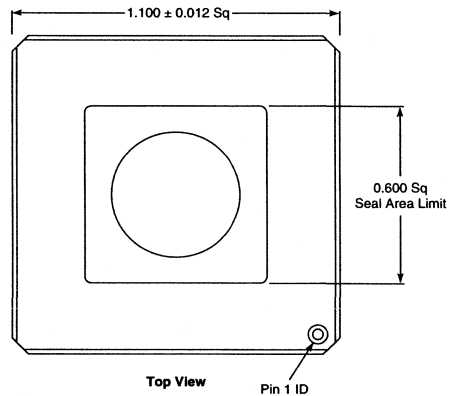
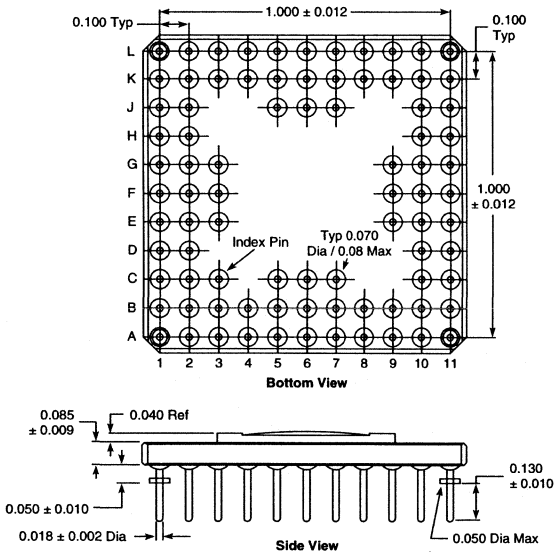


NOTE: Index Pin May or May Not Be Electrically Connected to Pin C2

Dimensions in Inches

X3047

84-Pin Ceramic PGA (PG84)

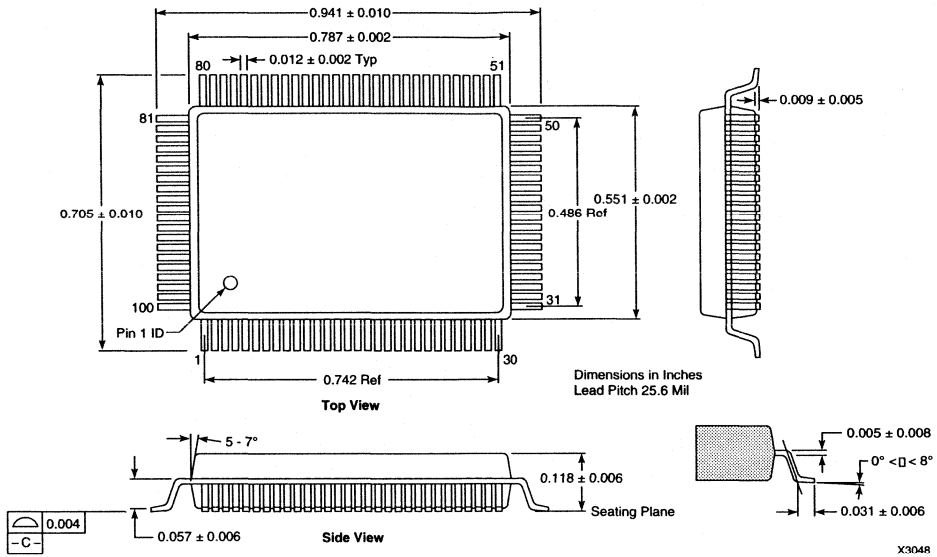


NOTE: Index Pin May or May Not Be Electrically Connected to Pin C2

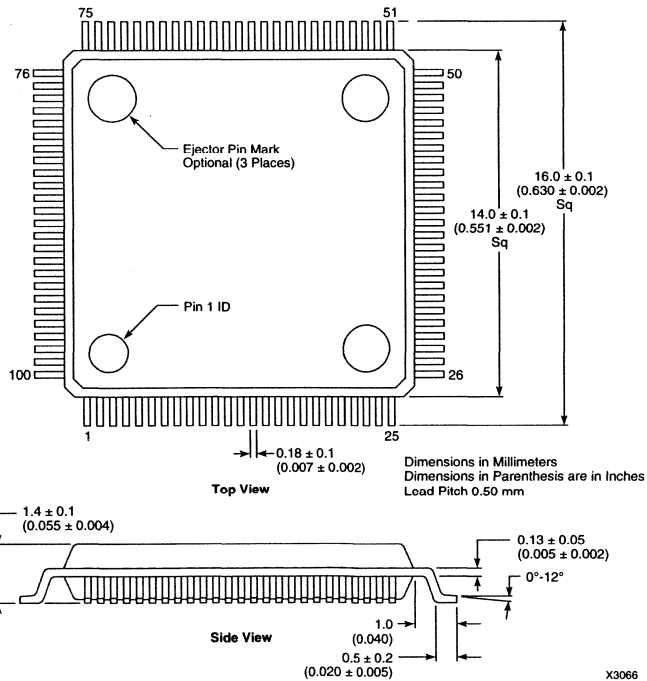
Dimensions in Inches

X2976

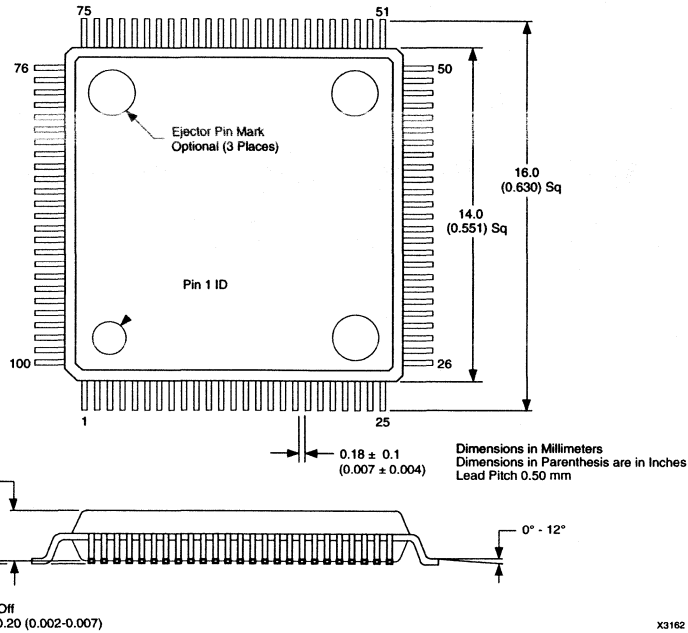
84-Pin Windowed PGA (PG84)



### 100-Pin Plastic PQFP (PQ100)

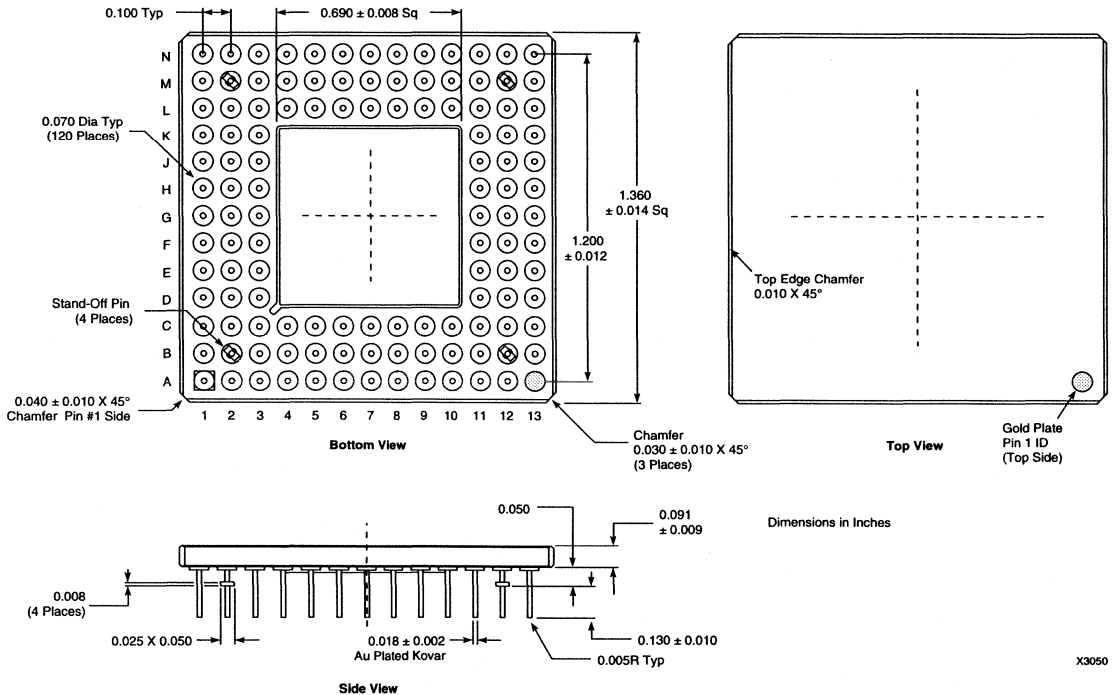


### 100-Pin Plastic TQFP (TQ100)



100-Pin Plastic VQFP (VQ100)

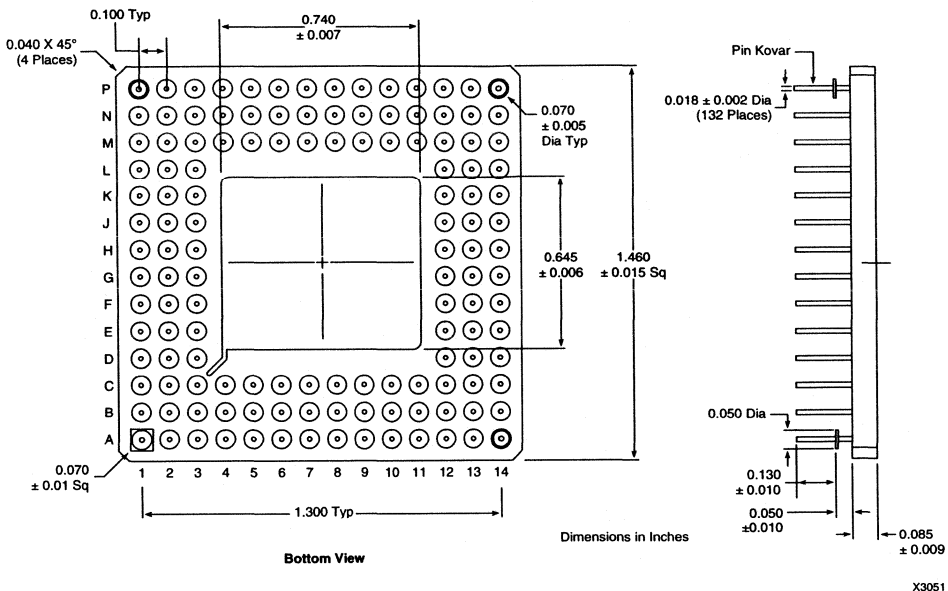
X3162



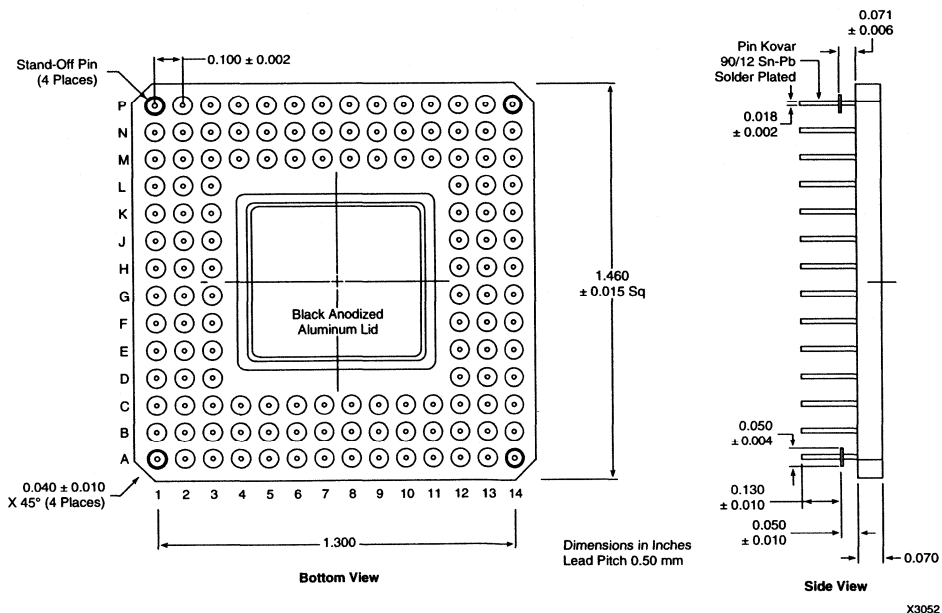
120-Pin Ceramic PGA (PG120)

X3050

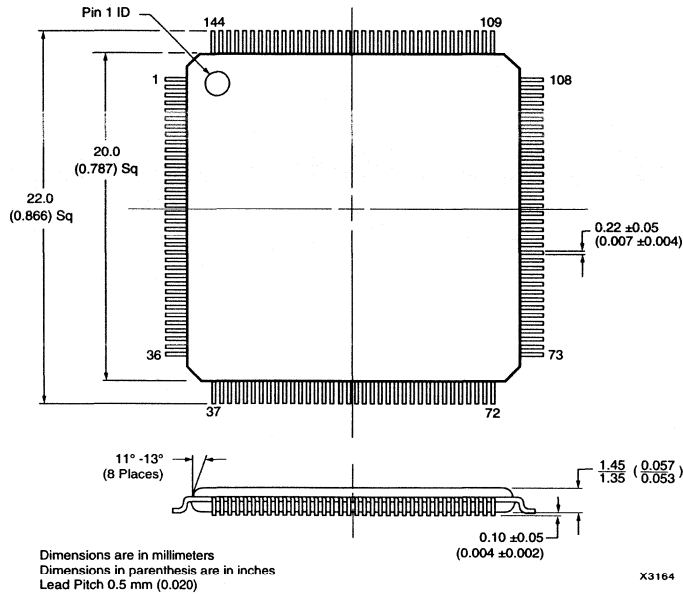




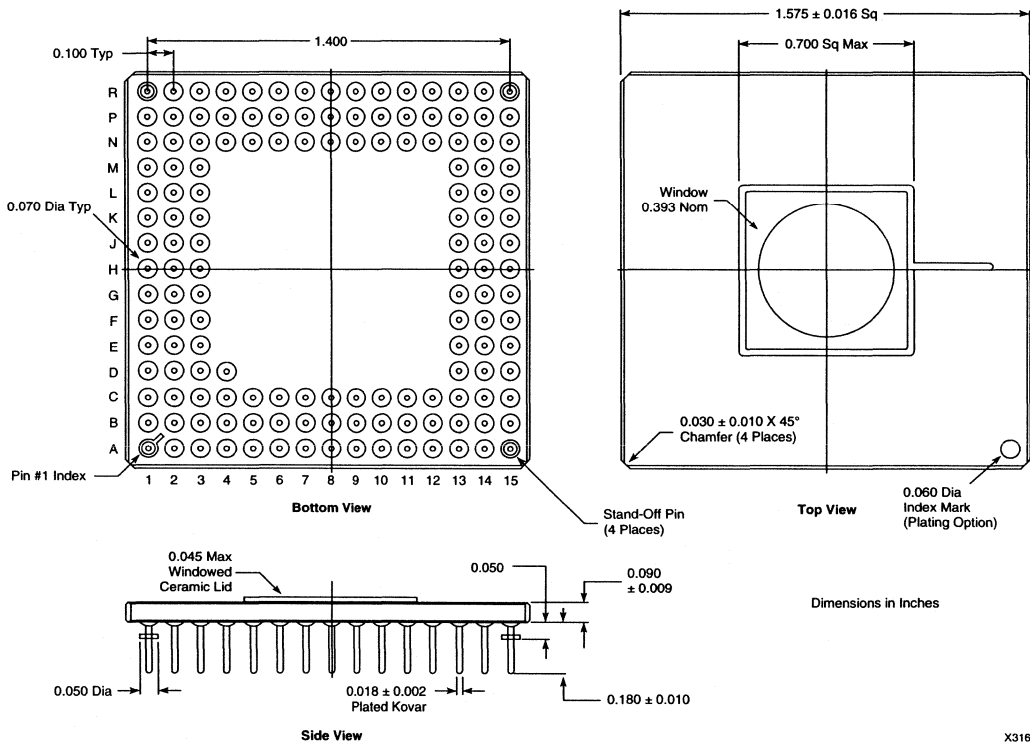
### 132-Pin Plastic PGA (PP132)



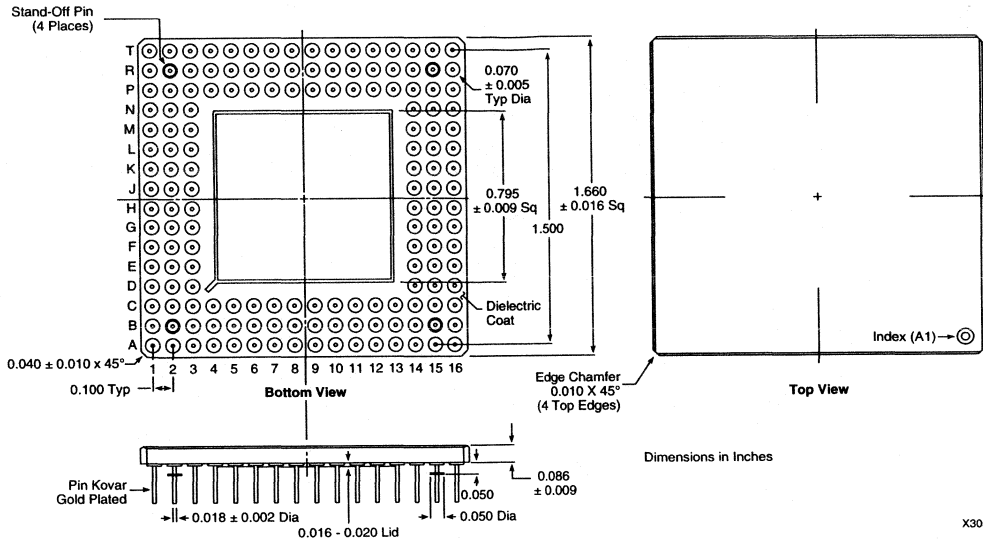
### 132-Pin Ceramic CQFP (PG132)



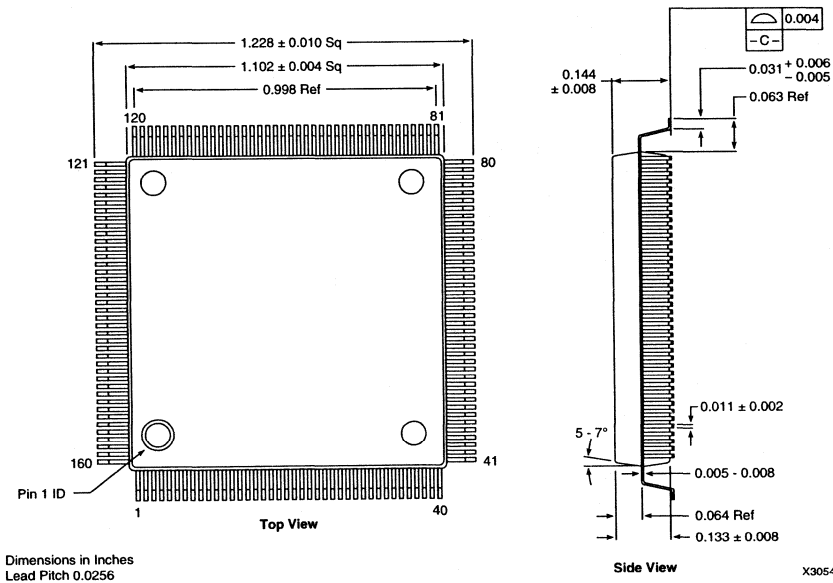
144-Pin Plastic TOFP (TQ144)



144-Pin Ceramic PGA (PG144)

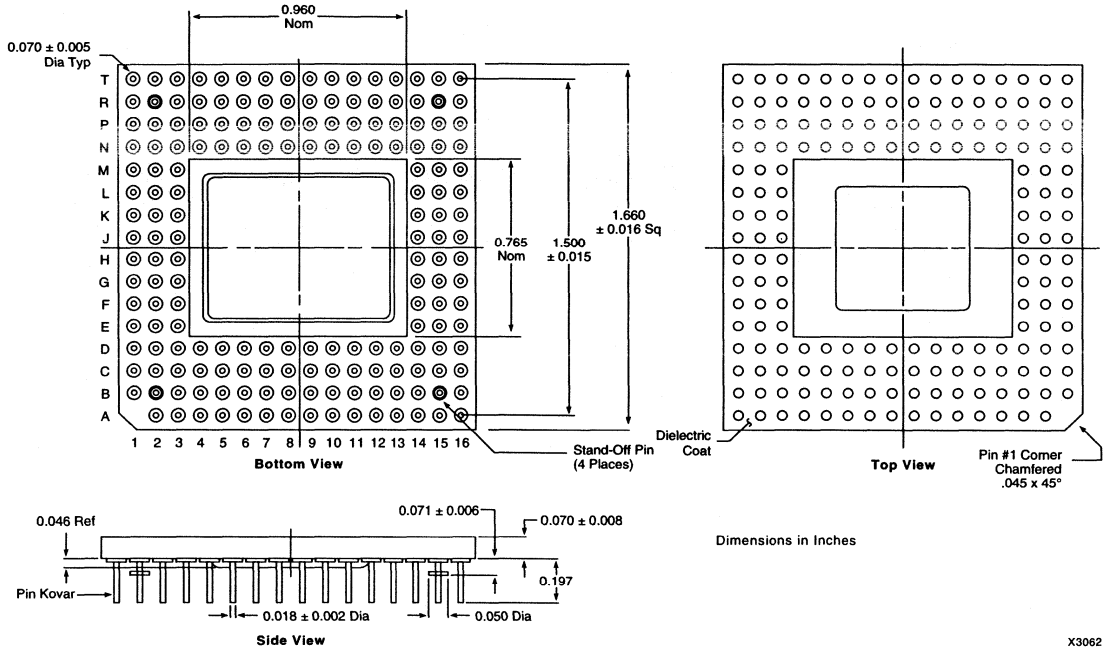


### 156-Pin Ceramic PGA (PG156)



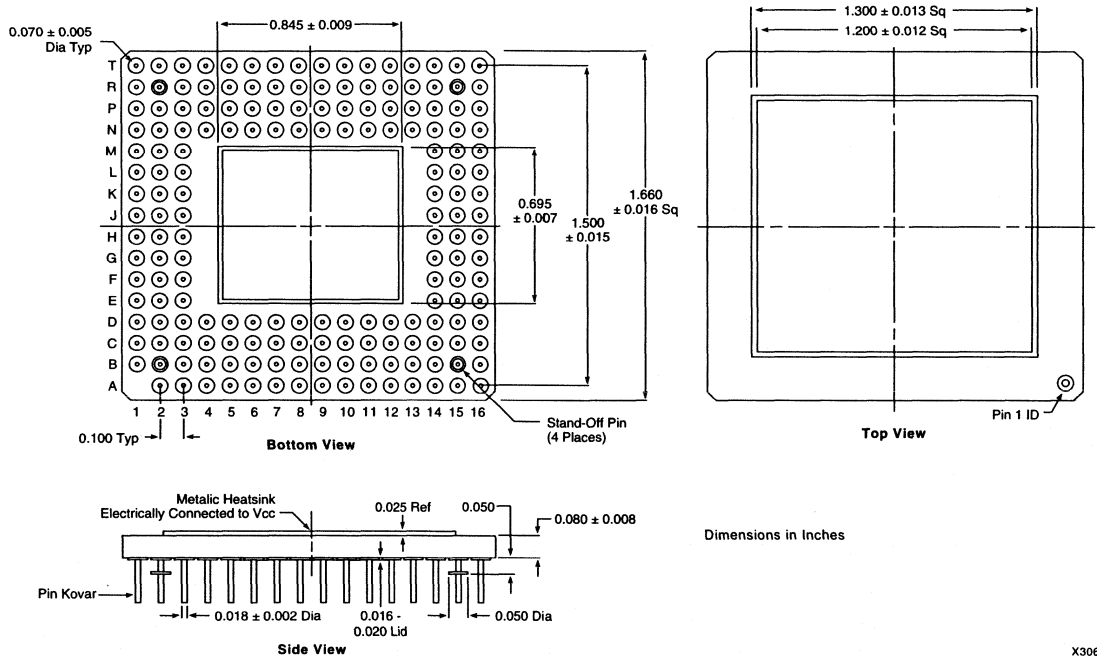
### 160-Pin Plastic PQFP (PQ160)

**Packages and Thermal Characteristics**



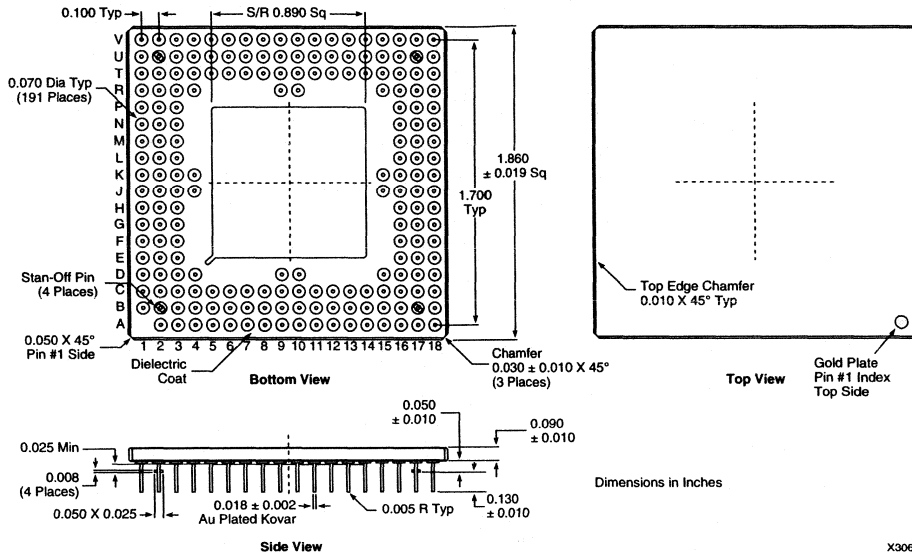
X3062

**175-Pin Plastic PGA (PP175)**

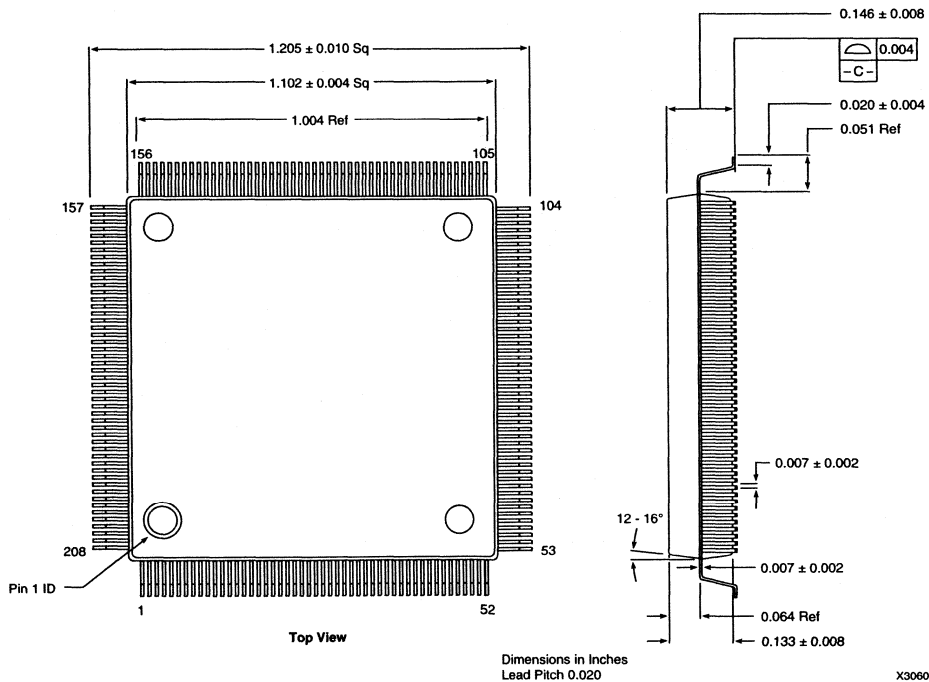


X3063

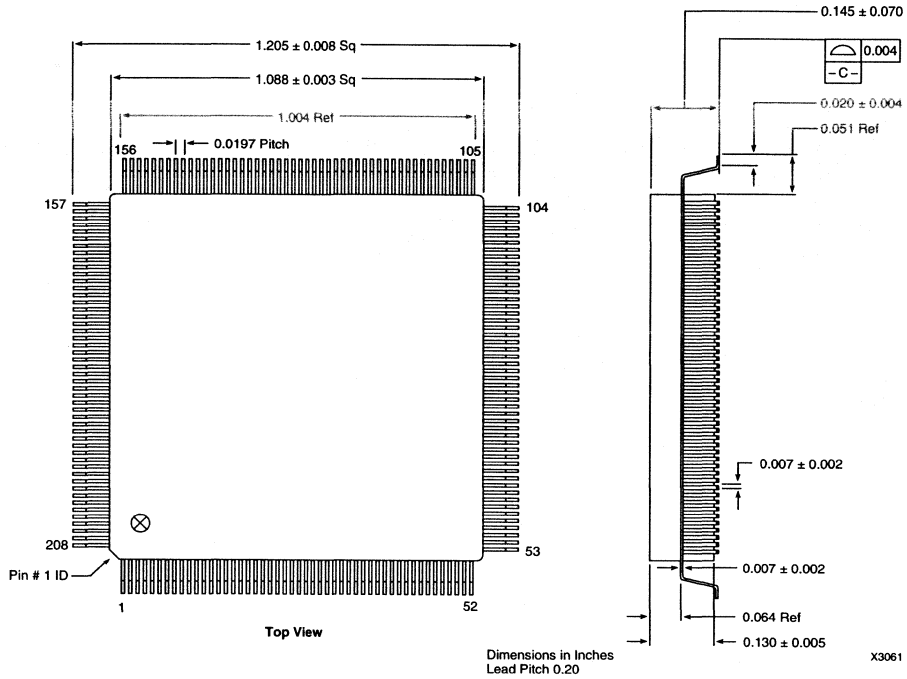
**175-Pin Ceramic PGA (PG175)**



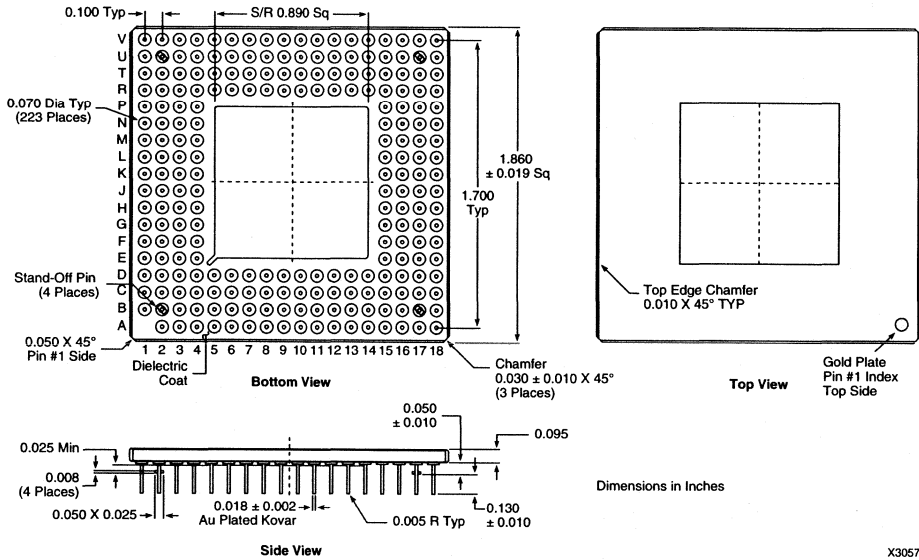
191-Pin Ceramic PGA (PG191)



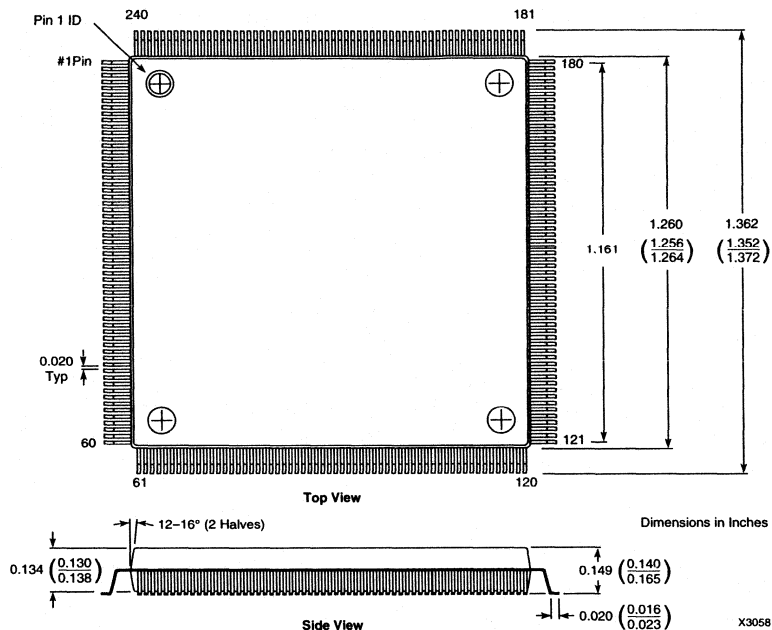
208-Pin Plastic PQFP (PQ208)



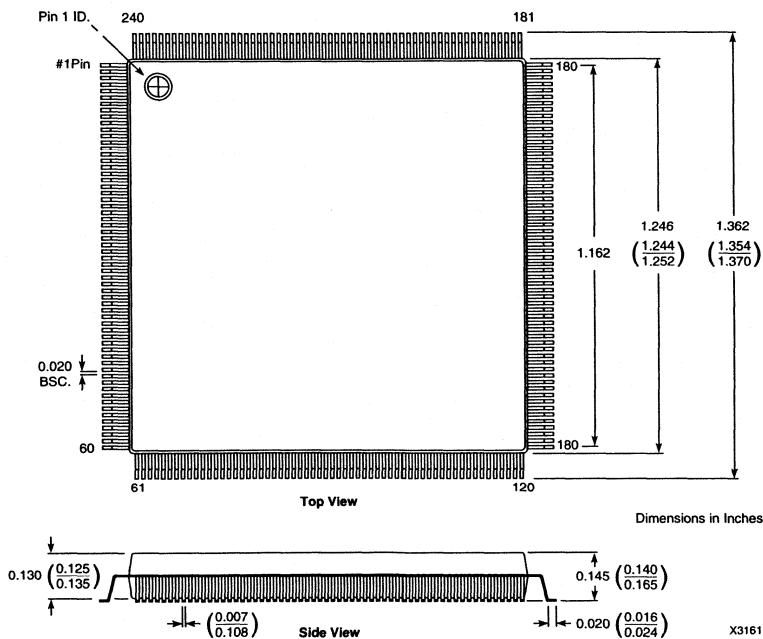
208-Pin Metal MQFP (MQ208)



223-Pin Ceramic PGA (PG223)



### 240-Pin Plastic PQFP (PQ240)



### 240-Pin Metal MQFP (MQ240)

## Package Thermal Characterization Methods & Conditions

### Method and Calibration

Xilinx uses the indirect electrical method for thermal-resistance characterization of packages. The forward-voltage drop of an isolated diode residing on a special test die is calibrated at a constant forcing current of 0.520 mA with respect to temperature over a correlation temperature range of 22°C to 125°C. The calibrated device is then mounted in an appropriate environment, e.g. still air, forced convection, FC-40, etc. Power (Pd) is applied to the device through diffused resistors on the same thermal die; usually between 0.5 to 4 W is applied, depending on the package. The resulting rise in junction temperature ( $T_J$ ) is monitored with the forward-voltage drop of the pre-calibrated diode. Typically, three identical samples are tested at each data point. The reproducibility error is close to 6%.

### Junction-to-Case Measurement – $\theta_{JC}$

The junction-to-case characterization is measured in a 3M Flourinert (FC-40) isothermal circulating fluid stabilized at 25°C. During the measurement, the Device Under Test (DUT) is completely immersed in the fluid; initial stable conditions are recorded, then Pd is applied. Case temperature ( $T_C$ ) is measured at the primary heat-flow path of the particular package. Junction temperature ( $T_J$ ) is calculated from the diode forward-voltage drop from the initial condition before power is applied, i.e.

$$\theta_{JC} = \frac{T_J - T_C}{P_d}$$

The junction-to-isothermal-fluid measurement  $\theta_{JL}$  can also be calculated from the above data as follows:

$$\theta_{JC} = \frac{T_J - T_L}{P_d}$$

where  $T_L$  = isothermal fluid temperature.

The latter data is considered as the ideal  $\theta_{JA}$  data for the package that can be obtained with the most efficient heat removal scheme—airflow, copper-clad board, heat sink or some combination of these. Since this is not a widely used parameter in the industry, and it is not very realistic for normal application of Xilinx packages, the data are not published. The thermal lab keeps such data for package comparisons.

### Junction-to-Ambient Measurement – $\theta_{JA}$

$\theta_{JA}$  is measured on a 4.5" x 6.0" x .0625" (11.4 cm x 15.2 cm x 0.16 cm) FR-4 board. The data may be taken with the package in a socket or, for packages used primarily for surface mount, with the package mounted directly on traces on the FR-4 board. The copper-trace density is limited to the pads needed for the leads and the 10 or so traces required for signal conditioning and measurement. The board is mounted in a cylindrical enclosure and data is taken at the prevailing temperature and pressure—between 22°C and 25°C ambient ( $T_A$ ). The power application and signal monitoring proceed in the same way as the  $\theta_{JC}$  measurement with enclosure (ambient) thermocouple substituted for the fluid thermocouple and two extra thermocouples brought in to monitor room and board temperatures. The junction-to-ambient thermal resistance is calculated as follows:

$$\theta_{JA} = \frac{T_J - T_A}{P_d}$$

The setup lends itself to the application of various airflow velocities from 0 - 800 Linear Feet per Minute (LFM), i.e., 0 - 4.06 m/s. Since the board selection (copper trace density, mounting distance, board thermal conductivity etc) affects the results of the thermal resistance, the data from these tests shall always be qualified with the board-mounting information.

### Data Acquisition and Package Thermal Database

Data for a package type is gathered for various die sizes, power levels, cooling modes (airflow and sometimes heat-sink effects) with an IBM-PC based Data Acquisition and Control System (DAS). The system controls and conditions the power supplies and other ancillary equipment for a hands-free data taking. Different custom-tailored setups within the DAS software are used to run calibration,  $\theta_{JA}$ ,  $\theta_{JC}$ , fan test as well as power-effects characteristics of a package. A package is completely characterized with respect to the major variables that influence the thermal resistance. A database is generated for the package. From the database, thermal resistance data is interpolated as typical values for the individual Xilinx devices that are assembled in the characterized package. (See data in following table.)



**Thermal Resistance Data**

Product and Package (Socketed unless noted)	$\theta_{JA}$ °C/W	$\theta_{JC}$ °C/W	Product and Package (Socketed unless noted)	$\theta_{JA}$ °C/W	$\theta_{JC}$ °C/W
XC1718D DD8	120.5	8.5	XC2018 PC68	40.7	8.1
XC1718D PC20	84.3	26.6	XC2018 PC84	35.1	6.7
XC1718D PD8	80.1	22.9	XC2018 PG84	35.1	6.0
XC1718L DD8	120.5	8.5	XC2018 PG84	38.4	6.9
XC1718L PC20	84.3	26.6	XC2018 PG84	38.4	9.2
XC1718L PD8	80.1	22.9	XC2018L PG84	38.4	6.9
XC1736A CD8	112.0	7.1	XC2018L PG84	38.4	9.2
XC1736A DD8	114.6	6.5	XC2064 CD48	38.6	4.8
XC1736A PC20	81.0	20.5	XC2064 PC68	42.1	9.5
XC1736A PD8	80.5	19.0	XC2064 PC84	36.7	7.9
XC1736A PD8	135.0	28.0	XC2064 PD48	43.2	11.6
XC1736D DD8	120.5	8.5	XC2064 PG84	36.7	6.7
XC1736D PC20	84.3	26.6	XC2318 PC68	42.4	9.9
XC1736D PD8	80.1	22.9	XC2318 PC84	37.0	8.2
XC1736L DD8	120.5	8.5	XC3020 CQ100	45.3	7.5
XC1736L PC20	84.3	26.6	XC3020 PC68	40.9	8.3
XC1736L PD8	80.1	22.9	XC3020 PC84	35.3	6.9
XC1765 CD8	108.4	6.4	XC3020 PG84	35.4	6.1
XC1765 DD8	111.0	5.4	XC3020 PQ100	67.6	9.3
XC1765 PC20	79.0	17.4	XC3020 PQ100	75.3	-
XC1765 PD8	75.0	15.0	XC3030 PC44	43.6	10.7
XC1765D DD8	120.5	8.5	XC3030 PC68	39.4	7.0
XC1765D PC20	84.3	26.6	XC3030 PC84	33.7	5.7
XC1765D PD8	80.1	22.9	XC3030 PG84	33.7	5.4
XC1765L DD8	120.5	8.5	XC3030 PQ100	62.7	6.8
XC1765L PC20	84.3	26.6	XC3030 PQ100	71.1	-
XC1765L PD8	80.1	22.9			
XC17128 DD8	106.5	4.4			
XC17128 PC20	76.5	14.2			
XC17128 PD8	72.6	12.2			

**Packages and Thermal Characteristics**

---

**Thermal Resistance Data (continued)**

Product and Package (Socketed unless noted)	$\theta_{JA}$ °C/W	$\theta_{JC}$ °C/W	Product and Package (Socketed unless noted)	$\theta_{JA}$ °C/W	$\theta_{JC}$ °C/W
XC3042 CQ100	44.2	5.6	XC3120 CQ100	45.7	8.1
XC3042 PC84	32.3	4.8	XC3120 PC68	41.6	9.0
XC3042 PG132	26.5	2.5	XC3120 PC84	36.2	7.5
XC3042 PG84	32.3	4.9	XC3120 PG84	36.5	6.2
XC3042 PP132	33.7	2.1	XC3120 PQ100	70.0	10.7
XC3042 PQ100	58.2	5.0	XC3120 PQ100	77.9	-
XC3042 PQ100	68.1	-	XC3130 PC44	44.9	11.0
XC3064 PC84	30.5	3.6	XC3130 PC68	40.2	7.7
XC3064 PG132	24.1	2.0	XC3130 PC84	34.6	6.4
XC3064 PG84	30.5	4.4	XC3130 PG84	34.7	5.5
XC3064 PP132	32.9	1.9	XC3130 PQ100	65.4	8.1
XC3064 PQ160	33.0	4.4	XC3130 PQ100	73.2	-
XC3090 CB164	26.3	1.8	XC3142 CQ100	44.5	6.2
XC3090 CQ164	32.9	1.5	XC3142 PC84	33.1	5.4
XC3090 PC84	29.1	2.8	XC3142 PG132	27.7	2.7
XC3090 PG175	16.4	0.9	XC3142 PG84	33.3	5.0
XC3090 PP175	21.7	1.6	XC3142 PP132	42.6	2.8
XC3090 PQ160	31.8	3.0	XC3142 PQ100	61.1	6.1
XC3090 PQ208	30.5	2.6	XC3142 PQ100	69.9	-
			XC3164 PC84	31.4	4.2
			XC3164 PG132	25.3	2.3
			XC3164 PG84	31.4	4.5
			XC3164 PP132	41.6	2.5
			XC3164 PQ160	33.8	5.2

---

**Thermal Resistance Data (continued)**

Product and Package (Socketed unless noted)	$\theta_{JA}$ °C/W	$\theta_{JC}$ °C/W
XC3190 CB164	26.3	2.1
XC3190 CQ164	34.2	2.6
XC3190 PC84	29.8	3.3
XC3190 PG175	24.1	2.1
XC3190 PP175	32.0	3.0
XC3190 PQ160	32.5	3.8
XC3190 PQ208	31.2	3.8
XC3195 PC84	27.9	2.2
XC3195 PQ160	30.5	1.7
XC3195 PQ208	29.2	1.7
XC3330 PC44	45.1	12.9
XC3330 PC68	42.6	10.1
XC3330 PC84	37.2	8.3
XC3330 PQ100	72.8	12.5
XC3330 PQ100	81.5	-
XC3342 PC84	36.0	7.4
XC3342 PQ100	69.6	10.4
XC3342 PQ100	77.4	-
XC3390 PC84	33.0	5.3
XC3390 PP132	34.0	2.2
XC3390 PP175	27.1	1.8
XC3390 PQ160	35.0	6.5

Product and Package (Socketed unless noted)	$\theta_{JA}$ °C/W	$\theta_{JC}$ °C/W
XC4002A PC84	32.9	5.2
XC4002A PQ100	60.3	5.8
XC4003 PC84	31.2	4.1
XC4003 PQ100	54.6	3.9
XC4003A PC84	31.7	4.4
XC4003A PQ100	56.2	4.4
XC4004A PC84	30.3	3.5
XC4005 PC84	28.5	2.5
XC4005 PQ160-HS	21.5	1.5
XC4005 PQ208-HS	22.0	1.3
XC4010 PQ208-HS	21.5	1.3
XC4305 PC84	32.3	4.8
XC4305 PQ160	34.5	5.9
XC7236 PC44	44.1	12.2
XC7236 WC44	45.3	7.4
XC7272 PC68	39.1	6.8
XC7272 PC84	33.3	5.5
XC7272 WC84	40.3	3.3
XC7272 WG84	33.2	5.1
XC73108 PC84	32.2	4.7
XC73108 PG144	22.5	3.5
XC73108 PQ160	34.4	5.9
XC73108 WC84	38.4	2.4

**Measured under the following conditions:**
 $\theta_{JC}$ : Device immersed in FC-40 at 25°C

 $\theta_{JA}$ : Device in still air at 22 to 25°C

Devices were mounted in sockets, then mounted on a 6" by 4.5" FR-4 board.

PQ100 packages were surface-mounted onto traces on a 6" by 4.5" FR-4 board.

For further information on measuring techniques, see the Xilinx Thermal Characterization Specification (MAC0034), or contact Xilinx Package Engineering.

## Packages and Thermal Characteristics

### Component Average Mass by Package Type

Package	Description	Mass(grams)	Package	Description	Mass(grams)
CB100-1	NCTB - Top Brazed Ceramic -4K	10.80	PQ208	EIAJ - 28 mm BODY 1.3 mm Form	5.25
CB100-2	NCTB - Top Brazed Ceramic -3K	10.5	PQ240	32 X 32 mm	
CB164-1	NCTB - Top Brazed Ceramic -3K	11.20	PQ256	EIAJ - 40 X 28 Metric	
CB164-2	NCTB - Top Brazed Ceramic -4K	11.50	SO8	SOIC Narrow 0.150 Body	0.08
CB196	NCTB - Top Brazed Ceramic	15.30	TQ100	Thin QFP 1.4 mm thick	0.65
CQ100	0.025" Unformed CERQuad	3.60	TQ144	20 X 20 mm 1.4 mm thick	
CQ164	0.025" Unformed CERQuad	8.35	TQ176	24 X 24 mm 11.4 mm thick	
DD8	0.300 CERDip	1.07	VQ100	14 X 14 mm 1.0 mm thick	0.65
MQ208	Metal Quad (EIAJ 28 mm)	6.10	VQ64	10 X 10 mm 1.0 mm thick	
MQ240	32 X 32 mm		WC44	Windowed CERQuad - JEDEC	2.85
PC20	PLCC - JEDEC 0.050"	0.75	WC68	Windowed CERQuad - JEDEC	
PC44	PLCC - JEDEC 0.050"	1.20	WC84	Windowed CERQuad - JEDEC	10.95
PC68	PLCC - JEDEC 0.050"	4.80	WG84	Windowed PGA 11 X 11 Matrix	10.8
PC84	PLCC - JEDEC 0.050"	6.80	WG144	Windowed PGA 15 X 15 Matrix	
PD48	Dual In Line Plastic - 0.600"	7.90			
PD8	Dual In Line Plastic - 0.300"	0.52			
PG120	PGA 13 X 13 Matrix Ceramic	11.50			
PG132	PGA 14 X 14 Matrix Ceramic	11.75			
PG156	PGA 16 X 16 Matrix Ceramic	17.10			
PG175	Heat Sink - 16X16 Matrix KCW10	28.40			
PG175	No Heat Sink - 16X16 Matrix	17.70			
PG191	PGA 18 X 18 Matrix Ceramic	21.80			
PG223	PGA 18 X 18 Matrix Ceramic	26.00			
PG68	Cav. Up CPGA 11 X 11 Matrix	6.95			
PG84	Cav. Up CPGA 11 X 11 Matrix	7.25			
PP132	Plastic PGA 14 X 14 Matrix	8.10			
PP156	PPGA 16 X 16 Matrix	10.60			
PP175	16 X 16 PPGA 2 Tier - Hardware Ver.	10.00			
PP175	16 X 16 PPGA Exposed Copper Ver.	9.90			
PP175	16 X 16 PPGA Buried Copper Ver.				
PQ100	EIAJ - Matrix (14X20)	1.60			
PQ160	EIAJ - Matrix 1.6 mm Form	5.80			

\* Data represents average values for typical packages with typical devices. For accuracy between 7% to 10%, these numbers will be adequate.

\* More precise numbers (below 5% accuracy) for specific devices may be obtained from Xilinx through a factory representative.

## Plastic Surface Mount Components

### Moisture-Induced Cracking During Solder Reflow

The reflow-soldering processes employed in attaching some plastic surface mount components (PSMC) to circuit boards expose the components to very high temperatures and steep temperature gradients. If the component has absorbed sufficient moisture, the plastic overmold may crack. The moisture trapped in the encapsulant vaporizes during the reflow-soldering operation and generates hydrostatic pressure within the package. The pressure may be sufficient in some package-die combinations to cause delamination within the package, or worse, an internal or external crack in the overmold. Cracks in the overmold allow flux and other contaminants to reach the die area and subsequently lead to the early failure of these cracked PSMCs.

Xilinx reliability tests, which include moisture precondition to 0.12% by package mass, have shown no failures attributable to the type of failure described herein. However, the cracking conditions have been duplicated in some package-die combinations under special moisture-saturation conditions. The conditions were part of a general crack-susceptibility characterization to determine what packages, if any, were likely to experience the failure. Current findings, confirmed by industry studies, show that the 20PLCC, 44PLCC and 68PLCC exhibit minimal to no tendency to moisture-induced cracking. Other packages have different moisture thresholds for cracking. The important conclusion is that below 0.12% by mass of moisture – corresponding to 168 hours of 30%RH at 85°C – none of the Xilinx packages crack.

In view of these findings from the susceptibility studies, it is necessary to issue special handling precautions for PSMCs, to be applied prior to reflow soldering operation. The crack susceptibility of PSMC is affected by several variables. Among them are the package construction detail – material, design, geometry, die size, package thickness, assembly, etc.–, moisture absorbed, the reflow soldering conditions, etc. One controllable factor is the level of moisture absorbed by the package prior to reflow. Xilinx recommends, in line with industry practice, that all PLCCs, with lead counts above or equal to 44, and all Plastic Quad Flat Packs (PQFPs) be used dry in surface-mount applications. The recommendation is not applicable to PSMCs intended for use in socket applications. For the purpose of this note, a package is considered dry if it has undergone one of the baking schedules listed below, and has been stored at or below 20% RH before reflow operation.

Bake schedules:

- a. 24 hours at 125 ±5°C, or
- b. 16 hours at 150 ±5°C.

### Xilinx Recommendation and Dry Bag Policy

In line with the above recommendation, Xilinx performs dry bake and dry packing on all PQFP shipments. PLCC devices can be done on as needed basis. Contact your Xilinx representative for lead-times, any applicable minimum-order quantities, and pricing. Crack-susceptible PSMCs that ship out of Xilinx without dry bake carry a CAUTION statement on the primary shipping form similar to the Caution Label shown below. Xilinx recommends that PSMC devices that are not dry baked at Xilinx and are intended for surface mount be dry baked prior to reflow, per the instructions on the Caution Label.

### Xilinx Dry-Packing Capability

The Xilinx dry-packing program for PQFPs consists of baking the parts after all electrical testing at 125°C for 24 hours in bakeable trays. For PLCC units, the baking is done under similar conditions in aluminum tubes, then transferred to regular shipping forms –tubes or tape. Baked units in shipping forms are sealed within 24 hours under controlled environment in special Moisture Barrier Bags (MBBs).

Enough desiccant pouches are enclosed in the bags to maintain the content at less than 20% RH for up to 12 months from the date of seal. A reversible humidity indicator card (HIC) is enclosed to monitor the internal humidity level. The loaded bag is then sealed shut under partial vacuum with an impulse heat sealer. Finally labels are attached to the MBB to alert the customers of the need for special handling precautions. Besides the application information found on the bags, the following handling precautions shall be noted.

### Handling of Parts in Sealed Bags

#### *Inspection*

Note the seal date and verify that the bag has no holes, tears or punctures that may expose the contents. Review the content information against the parts ordered. It is recommended that the bag remain closed until the contents are ready for use.

#### *Storage*

The sealed MMB should be stored unopened in a relatively dry environment of no more than 90% relative humidity and 40°C. The enclosed HIC is the only verification to show if the parts have been exposed to moisture or not.

#### *Expiration Date*

The seal date is stated on the bag. The expiration date is 12 months from the seal date. If the expiration date has been exceeded, or if upon opening a bag within its stated expiration period, the HIC shows humidity over 30%, proceed as follows. Bake the components per the bake schedules stated earlier. After baking, any of the following options may apply.

Use the parts within 48 hours

Reseal the parts in a MBB within 12 hours after baking with fresh desiccant pouches and HIC;

Store the baked parts in a controlled cabinet with less than 20% RH. A desiccator cabinet with controlled RH would be ideal.

### ***Other Conditions***

Open the MBB when parts are ready to be used. The bag may be opened by cutting across the top as close to the seal as possible. This gives room for possible reseal. When the bag is opened, follow the guidelines under the factory-floor-life section to ensure that devices are maintained below the critical moisture levels. Bags opened for less than an hour (strongly dependent on environment) may be resealed with the original desiccant and HIC. If the bag is not resealed immediately, new desiccant or the old one that has been dried out may be used to reseal, provided that the factory-floor life has not been exceeded. Note that the factory-floor life is cumulative. The clay-based desiccant pouches used by Xilinx may be dried out at 120°C ±5°C for 10 to 16 hours. Fresh desiccants may be purchased from United Desiccant-Gates, USA (Model: Desi Pack C, 2 unit desiccant in Tyvek bag). Note also that the Humidity Indicator Card is reversible and may be reused.

### ***Factory Floor Life***

The maximum life that dry parts may be safely exposed in a manufacturing ambient condition depends on the specific condition prevailing in the customer's factory. In addition, it also depends on whether the parts are near the beginning or the end of the storage life in the sealed bag. Finally, it depends also on the critical moisture level of the package that causes moisture-induced cracks.

Some guidelines have been provided by the Institute for Interconnecting and Packaging Electronics Circuits in

Publication IPC-SM-789. Xilinx characterization confirms that if the relative humidity in a factory is kept below 60% with temperature between 25 and 30°C, the parts taken from the MBB will have acceptable moisture levels if used within 48 hours. It is recommended that devices be dry baked if this floor life is exceeded. The time may be extended by use of controlled desiccator cabinet for storage on the floor.

Obviously, Xilinx devices in various Plastic Surface Mount packages are not affected in the same way. As stated earlier some PLCC packages are hardly affected by cracking even under maximum moisture-saturation conditions. In spite of this, the Xilinx current floor-life recommendation is for all PSMCs and is based on data from reliability results on packages with predetermined moisture levels of 0.12%. In general, irrespective of factory floor conditions, Xilinx recommends that devices be dried out if the level of moisture in the package exceeds 0.12% by mass of package. If factory floor conditions are expected to exceed the 30°C/60% RH, please consult Xilinx for more information.

## **CAUTION**

THESE DEVICES REQUIRE BAKING

THE ENCLOSED COMPONENTS ARE SENSITIVE TO MOISTURE AND ARE SUSCEPTIBLE TO PACKAGE CRACKING, BOND WIRE BREAKAGE, AND BOND SEPARATION FROM CHIP IF THEY ARE NOT BAKED PRIOR TO ANY EXPOSURE TO HIGH TEMPERATURES OF VAPOR PHASE OR IR REFLOW SOLDERING OR IMMERSION WAVE SOLDERING.

COMPONENT BAKING SHALL BE DONE AT 125°C FOR 24 HRS PRIOR TO ANY REFLOW SOLDERING. UNITS IN TAPE AND REEL AS WELL AS THOSE IN PLASTIC TUBES SHOULD NOT BE SUBJECTED TO THE 125°C BAKE, INSTEAD A LOW TEMPERATURE BAKE (45°C UNTIL 0.11% MOISTURE BY BODY MASS) WILL SUFFICE.

XILINX CAN PROVIDE BAKING AND DRY PACKING SERVICES UPON SPECIAL ORDER.

## Sockets

Below are two lists of manufactures known to offer sockets for Xilinx package types. This list does not imply an endorsement by Xilinx. Each user must evaluate the particular socket type.

There are no wire-wrap sockets for PLCCs. One solution is to piggy-back a through-hole PLCC socket mounted in a compatible PGA socket with wire-wrap pins. Note that the board-layout then differs from a PGA board layout.

Zero Insertion Force (ZIF) sockets, recommended for prototyping with 132 and 175 pin PGA devices, also lack the wire-wrap option. Piggy-back the ZIF socket in a normal PGA wire-wrap socket.

### PLCC Sockets

AMP Inc.  
Harrisburg, PA 17105  
(717) 564-0100

Burdny Corp.  
Richards Ave.  
Norwalk, CT 06856  
(203) 852-8437

Garry Electronics  
9 Queen Anne Court  
Langhorne, PA 19047-1803  
(215) 949-2300

Honda - MHOtronic  
Deerfield, IL 60015  
444 Lake Cook Road, Suite 8  
(312) 948-5600

ITT Cannon  
10550 Talbert Ave.  
P.O.Box 8040  
Fountain Valley, CA 92728  
(714) 964-7400

Maxconn Inc.  
1855 O'Toole Ave., D102  
San Jose, CA 95131  
(408) 435-8666

Methode Electronics Inc.  
1700 Hicks Road  
Rolling Meadows, IL 47150  
(312) 392-3500

Mill-Max Mfg. Corp.  
190 Pine Hollow Road  
Oyster Bay, N.Y. 11771-0300  
(516) 922-6000

Precicontact Inc.  
835 Wheeler Way  
Langhorne, PA 19047  
(215) 757-1202

Samtec Inc.  
P.O.Box 1147  
New Albany, IN 47150  
(812) 944-6733

3M Textool  
Austin, TX  
(800) 328-7732

Thomas & Betts Corp.  
920 Route 202  
Raritan, NJ 08869  
(201) 469-4000

Wells Electronics, Inc.  
1701 South Main Street  
South Bend, IN 46613  
(219) 287-5941

Yamaichi - Electronics, Inc.  
1420 Koll Circle  
Suite B  
San Jose, CA 95112  
(408) 452-0792

### PGA Sockets

Advanced Interconnections  
5 Energy Way  
West Warwick, RI 02893  
(401) 823-5200

AMP Inc.  
Harrisburg, PA 17105  
(717) 564-0100

Aries Electronics, Inc.  
P.O.Box 130  
Frenchtown, NJ 08825  
(201) 996-6841

Augat  
33 Perry Ave.  
P.O.Box 779  
Attleboro, MA 02703  
(617) 222-2202

Bevmar Industries, Inc.  
20601 Annalee Ave.  
Carson, CA 90746  
(213) 631-5152

Bevmar Industries, Inc.  
1 John Clarke Rd.  
Middletown, RI 02840  
(401) 849-4803

Electronic Molding Corp.  
96 Mill Street  
Woonsocket, RI 02895  
(401) 769-3800

Garry Electronics  
9 Queen Anne Court  
Langhorne, PA 19047-1803  
(215) 949-2300

Mark Eyelet Inc.  
63 Wakelee Road  
Wolcott, CT 06716  
(203) 756-8847

McKenzie Technology  
44370 Old Warm Springs Blvd.  
Fremont CA 94538  
(415) 651-2700

Methode Electronics Inc.  
1700 Hicks Road  
Rolling Meadows, IL 47150  
(312) 392-3500

Mill-Max Mfg. Corp.  
190 Pine Hollow Road  
Oyster Bay, N.Y. 11771-0300  
(516) 922-6000

Precicontact Inc.  
835 Wheeler Way  
Langhorne, PA 19047  
(215) 757-1202

Samtec Inc.  
P.O.Box 1147  
New Albany, IN 47150  
(812) 944-6733

Texas Instruments  
CSD Marketing, MS 14-1  
Attleboro, MA 02703  
(617) 699-5206

Thomas & Betts Corp.  
920 Route 202  
Raritan, NJ 08869  
(201) 469-4000

Yamaichi - Electronics, Inc.  
1420 Koll Circle  
Suite B  
San Jose, CA 95112  
(408) 452-0792





- 1 Programmable Logic Devices**
- 2 FPGA Product Descriptions and Specifications**
- 3 EPLD Product Descriptions and Specifications**
- 4 Packages and Thermal Characteristics**

## ***5 Quality, Testing and Reliability***

- 6 Technical Support**
  - 7 Development Systems**
  - 8 Applications**
  - 9 The Best of XCELL**
  - 10 Index, Sales Offices**
-



## Quality Assurance and Reliability

---

Quality Assurance Program .....	5-1
Device Reliability .....	5-2
Outline of Testing .....	5-2
Description of Tests .....	5-5
Data Integrity .....	5-7
Electrostatic Discharge .....	5-8
Latchup .....	5-8
High Temperature Performance .....	5-8

---

## Quality Assurance Program

All aspects of the Quality Assurance Program at Xilinx have been designed to eliminate the root cause of defects, rather than to try to remove them by inspection. The programs are in full compliance with the requirements of Appendix A of MIL-M-38510. These programs emphasize heavily the aspects of process control, process documentation, and operator training. These programs and those of the company's subcontractors are subjected to extensive internal and external audits to ensure compliance.

Xilinx calculates its outgoing component quality level, expressed in PPM (defective parts per million devices shipped) using the industry standard methods now adopted by JEDEC and published in JEDEC Standard 16. These figures of merit are revised monthly and published quarterly by Xilinx Quality Assurance. Figure 1 details Xilinx efforts to improve the outgoing quality of its products over the last year. Summary data for this performance will continue to be made available for downloading from the Xilinx Electronic Bulletin Board at (408) 559-9372 (1200/2400 baud; eight data bits; no parity; one

stop bit) supporting all of the following communications protocols: ASCII, Kermit, XModem, -CRC, and Telink.

Xilinx is committed to customer satisfaction. By adhering to the highest quality standards, the company has achieved leadership in the EPLD and FPGA manufacturing areas and in the supporting arena of development-systems software.

Quality Assurance encompasses all aspects of company business. Xilinx continually strives to improve quality to meet customers' changing needs and expectations. To do this, the company is dedicated to the following.

- To provide a broad range of products and services that satisfy both the expectations of customers and the company's stringent quality standards.
- To emphasize open communications with customers and suppliers, supported with the necessary statistical data.
- To continually improve the quality of Xilinx products, services, and company efficiency.
- To maintain a work environment that fosters quality and reliability leadership and excellence.

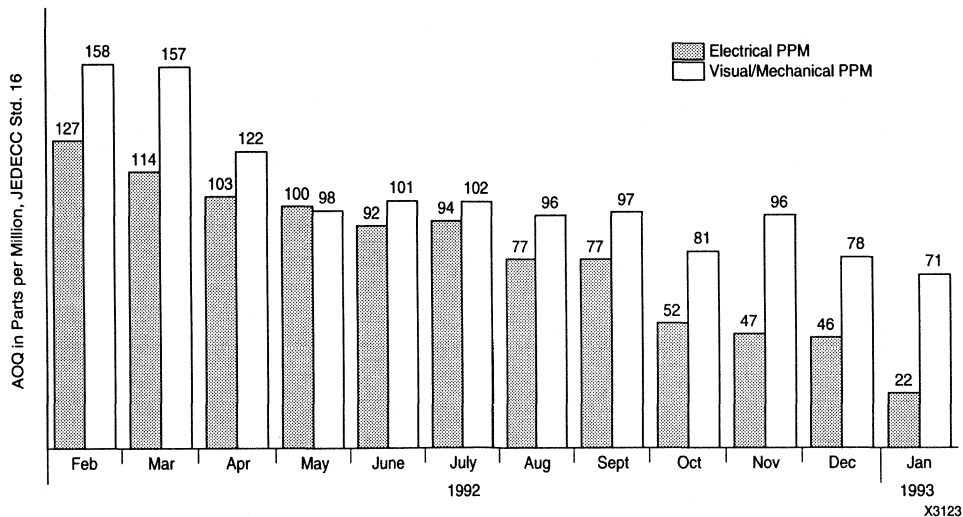


Figure 1. Xilinx Average Outgoing Quality – Mature, High Volume Products

X3123

## Device Reliability

Device reliability is often expressed in a measurement called *Failures in Time* (FITS). In this measure one FIT equals one failure per billion ( $10^9$ ) device operating hours. A failure rate in FITS must include the operating temperature to be meaningful. Hence failure rates are often expressed in FITS at 70°C (or some other temperature in excess of the application).

Since one billion hours is well in excess of 100,000 years, the FIT rate of modern ICs can only be measured by accelerating the failure rate by testing at a higher junction temperature (usually 125°C or 145°C). Extensive testing of Xilinx XC2000 and XC3000 devices (performed on actual production devices taken directly from finished goods) has been accomplished continuously since 1989. During the last two years, over 7,500 devices (both XC2000 and XC3000) have accumulated a total of over 13,000,000 hours of both static and dynamic operating at 125°C (equivalent) to yield the following FIT rates at 70°C.

	12/91	3/92	6/92	9/92	12/92	
XC2000, static	8	6	6	4	5	FITs
XC3000, static	22	20	20	16	15	FITs
XC3000, dynam.	9	9	9	4	2	FITs

From its inception, Xilinx has been committed to delivering the highest quality, most reliable programmable gate arrays available. A strong Quality Assurance and Reliability program begins at the initial design stages and is carried through to final shipment. An extensive, on-going reliability-testing program is used to predict the field performance of all Xilinx devices.

These tests provide an accelerated method of emulating long-term system operation in severe field environments. From the performance of the devices during these tests, predictions of actual field performance under a variety of conditions can be easily calculated.

This report describes the nature and purpose of the various reliability tests performed on finished devices. Updated summaries are available upon request from the Quality Assurance and Reliability Department at Xilinx.

### Outline of Testing

Qualification testing of devices is performed to demonstrate the reliability of the die used in the device, and the materials and methods used in the assembly of the device. Testing methods are derived from and patterned after the methods specified in MIL-STD-883.

Referral to the test methods of MIL-STD-883 is not intended to imply that nonhermetic products comply with the requirements of MIL-STD-883. These test methods are recognized industry-wide as stringent tests of reliability and are commonly used for nonmilitary-grade semiconductor devices, as well as for fully compliant military-grade products.

Hermetic packages are qualified using the test methods specified in MIL-STD-883. The Group D package qualification tests are performed on one lot of each package type from each assembly facility every twelve months.

A summary of the reliability demonstration tests used at Xilinx is contained in Table 1.

**Table 1A. Reliability Testing Sequence for Non-Hermetic Devices**


---

*Die Qualification*

---

Name of Test	Test Conditions	Lot Tolerance % Defective Minimum Sample Size/ Maximum Acceptable Failures
1. High Temperature Life	1000 hr min equivalent at temperature = 125°C Life test circuit equivalent to MIL-STD-883	LTPD = 5, s = 105, c = 2
2. Biased Moisture Life	1000 hr min exposure T = 85°C, RH = 85% Max rated operating voltage Biased moisture life circuit equivalent to MIL-STD-883	LTPD = 5, s = 77, c = 1

---

*Non-Hermetic Package Integrity and Assembly Qualification*

---

Name of Test	Test Conditions	Lot Tolerance % Defective Minimum Sample Size/ Maximum Acceptable Failures
3. Unbiased Pressure Pot	96 hr min exposure T = 121°C, P = 2 atm H <sub>2</sub> O saturated	LTPD = 5, s = 45, c = 0
4. Thermal Shock	MIL-STD-883, Method 1011, Cond. C -65°C to +150°C 100 cycles	LTPD = 5, s = 45, c = 0
5. Temperature Cycling	MIL-STD-883, Method 1010, Cond. C -65°C to +150°C 200 cycles	LTPD = 5, s = 45, c = 0
6. Salt Atmosphere	MIL-STD-883, Method 1009, Cond. A 24 hrs	s = 25, c = 0
7. Resistance to Solvents	MIL-STD-883, Method 2015	s = 4, c = 0
8. Solderability	MIL-STD-883, Method 2003	s = 3, c = 0
9. Lead Fatigue	MIL-STD-883, Method 2004	s = 2, c = 0

---

Table 1B. Reliability Testing Sequence for Hermetic Devices

*Hermetic Package Integrity and Assembly Qualification*

Name of Test	Test Conditions	Lot Tolerance % Defective Minimum Sample Size/ Maximum Acceptable Failures
1. Subgroup D1 Physical Dimensions	MIL-STD-883, Method 2016	LTPD = 15, s = 25, c = 1
2. Subgroup D2 a. Lead Integrity b. Seal (fine and gross leak)	MIL-STD-883, Method 2028 MIL-STD-883, Method 1014 (not required for PGAs)	LTPD = 15, s = 25, c = 1
3. Subgroup D3 a. Thermal Shock–15 cycles b. Temp. cycling–100 cycles c. Moisture Resistance d. Seal (fine & gross leak) e. Visual Examination f. End-point electricals	MIL-STD-883, Method 1011, Cond. B MIL-STD-883, Method 1010, Cond. C MIL-STD-883, Method 1004 MIL-STD-883, Method 1014 MIL-STD-883, Method 1004 and Method 1010 Group A, subgroup 1	LTPD = 15, s = 25, c = 1
4. Subgroup D4 a. Mechanical Shock b. Vibration, Variable Freq. c. Constant Acceleration  d. Seal (fine & gross leak) e. Visual Examination f. End-point electricals	MIL-STD-883, Method 2002, Cond. B MIL-STD-883, Method 2007, Cond. A MIL-STD-883, Method 2001, Cond. E min, Y1 only (Cond. D for large PGAs) MIL-STD-883, Method 1014 MIL-STD-883, Method 1010 Group A, subgroup 1	LTPD = 15, s = 25, c = 1
5. Subgroup D5 a. Salt Atmosphere b. Seal (fine & gross leak) c. Visual Examination	MIL-STD-883, Method 1009, Cond. A MIL-STD-883, Method 1014 MIL-STD-883, Method 1009	LTPD = 15, s = 15, c = 0
6. Subgroup D6 Internal Water Vapor Content	MIL-STD-883, Method 1018, 5000 ppm water at 100°C	s = 3; c = 0 or s = 5; c = 1
7. Subgroup D7 Lead Finish Adhesion	MIL-STD-883, Method 2025	LTPD = 15, s = 25 leads, (3 device min) c = 0
8. Subgroup D8 Lid Torque	MIL-STD-883, Method 2024 (for ceramic quad flat pack, CQFP only)	LTPD = 5, s = 5, c = 0

## Description of Tests

### Die Qualification

1. *High Temperature Life* – This test is performed to evaluate the long-term reliability and life characteristics of the die. It is defined by the Military Standard from which it is derived as a “Die-Related Test” and is contained in the Group C Quality Conformance Tests. Because of the acceleration factor induced by higher temperatures, data representing a large number of equivalent hours at a normal temperature of 25°C can be accumulated in a reasonable period of time.

2. *Biased Moisture Life* – This test is performed to evaluate the reliability of the die under conditions of long-term exposure to severe, high-moisture environments that could cause corrosion. Although it clearly stresses the package as well, this test is typically grouped under the die-related tests. The device is operated at maximum-rated voltage, 5.5 Vdc, and is exposed to a temperature of 85°C and a relative humidity of 85% throughout the test.

### Package Integrity and Assembly

#### Qualification

3. *Unbiased Pressure Pot* – This test is performed at a temperature of 121°C and a pressure of 2 atm of saturated steam to evaluate the ability of the plastic encapsulating material to resist water vapor. Moisture penetrating the package could induce corrosion of the bonding wires and nonglassivated metal areas of the die (bonding pads only for LCA devices). Under extreme conditions, moisture could cause drive-in and corrosion under the glassivation. Although it is difficult to correlate this test to actual field conditions, it provides a well-established method for relative comparison of plastic packaging materials and assembly and molding techniques.

4. *Thermal Shock* – This test is performed to evaluate the resistance of the package to cracking and resistance of the bonding wires and lead frame to separation or damage. It involves nearly instantaneous change in temperature from -65°C to +150°C.

5. *Temperature Cycling* – This test is performed to evaluate the long-term resistance of the package to damage from alternate exposure to extremes of temperature or to

intermittent operation at very low temperatures. The range of temperatures is -65°C to +150°C. The transition time is longer than that in the Thermal Shock test but the test is conducted for many more cycles.

6. *Salt Atmosphere* – This test was originally designed by the US Navy to evaluate resistance of military-grade ship-board electronics to corrosion from sea water. It is used more generally for non-hermetic industrial and commercial products as a test of corrosion resistance of the package marking and finish.

7. *Resistance to Solvents* – This test is performed to evaluate the integrity of the package marking during exposure to a variety of solvents. This is an especially important test, since an increasing number of board-level assemblies are subjected to severe conditions of automated cleaning before system assembly. This test is performed according to the methods specified by MIL-STD-883.

8. *Solderability* – This test is performed to evaluate the solderability of the leads under conditions of low soldering temperature following exposure to the aging effects of water vapor.

9. *Lead Fatigue* – This test is performed to evaluate the resistance of the completed assembly to vibrations during storage, shipping, and operation.

### Testing Facilities

Xilinx has complete capability to perform High Temperature Life Tests, Thermal Shock, Biased Moisture Life Tests, and Unbiased Pressure Pot Tests in its own Reliability Testing Laboratory. Other tests are being performed by outside testing laboratories.

### Summary

The testing data in Table 2 shows the actual performance of the devices during the initial qualification tests to which they have been subjected. These test results demonstrate the reliability and expected long life inherent in the non-hermetic product line. This series of tests is ongoing as a part of the Quality Conformance Program on non-hermetic devices.

Table 2. Xilinx Reliability Testing Summary

Device Types: XC17XX, XC2000, XC3000,  
 XC3100, XC4000, XC7200/XC7300  
 Die Attach Method: Silver Epoxy  
 Molding Compound: Sumitomo 6300H

Process/Technology: 1.2, 1.08, 0.8  $\mu$  2-Metal CMOS  
 Package Type: Varied PLCC/PQ/PPG  
 Date: 4Q 92

Test	Combined Sample	Failures	Equivalent Mean Hrs/Device at $T_A = 125^\circ\text{C}$	Total Device Hrs at $T_A = 125^\circ\text{C}$	Equivalent Failure Rate in FIT at $T_J = 70^\circ\text{C}$
High Temperature Life Test $T_A = 145^\circ\text{C}$ (FPGA) $T_A = 125^\circ\text{C}$ (EPLD)	11,357	21	921	Equivalent Device Hrs 41, 867,856	7.5*
Biased Moisture Life Test $T = 85^\circ\text{C}$ ; RH = 85%	4,659	23	at $T_A = 85^\circ\text{C}$ 1,063	at $T_A = 85^\circ\text{C}$ 4,953,453	
Unbiased Pressure Pot Test $+121^\circ\text{C}$ , 2 atm sat. steam	2,270	0	150	338,604	
Thermal Shock Test $-65^\circ\text{C}/+150^\circ\text{C}$ 200 cycles (min)	1,605	1	Mean Cycles per Device 448	Total Device Cycles 719,782	
Temperature Cycling Test $-65^\circ\text{C}/+150^\circ\text{C}$ 100 cycles (min)	1,362	6	Mean Cycles per Device 511	Total Device Cycles 696,800	
Salt Atmosphere Test MIL-STD-883, Method 1009, Cond. A	922	1	24	22,128	
Resistance to Solvents Test MIL-STD-883, Method 2105	88	0			
Solderability Test MIL-STD-883, Method 2003	1420	0			
Lead Fatigue Test MIL-STD-883, Method 2004	1800	0			

\* Assumed activated energy 0.90 eV



## Data Integrity

### Memory Cell Design in the LCA Device

An important aspect of the LCA device reliability is the robustness of the static memory cells used to store the configuration program.

The basic cell is a single-ended 5-transistor memory element (Figure 2). By eliminating a sixth transistor, which would have been used as a pass transistor for the complementary bit line, a higher circuit density is achieved. During normal operation, the outputs of these cells are fixed, since they determine the user configuration. Write and readback times, which have no relation to the device performance during normal operation, will be slower without the extra transistor. In return, the user receives more functionality per unit area.

This explains the basic cell, but how is the LCA user assured of high data integrity in a noisy environment? Consider three different situations: normal operation, a

Write operation and a Read operation. In the normal operation, the data in the basic memory element is not changed. Since the two circularly linked inverters that hold the data are physically adjacent, supply transients result in only small relative differences in voltages. Each inverter is truly a complementary pair of transistors. Therefore, whether the output is High or Low, a low-impedance path exists to the supply rail, resulting in extremely high noise immunity. Power supply or ground transients of several volts have no effect on stored data.

The transistor driving the bit line has been carefully designed so that whenever the data to be written is opposite the data stored, it can easily override the output of the feedback inverter. The reliability of the Write operation is guaranteed within the tolerances of the manufacturing process.

In the Read mode, the bit line, which has a significant amount of parasitic capacitance, is precharged to a logic one. The pass transistor is then enabled by driving the

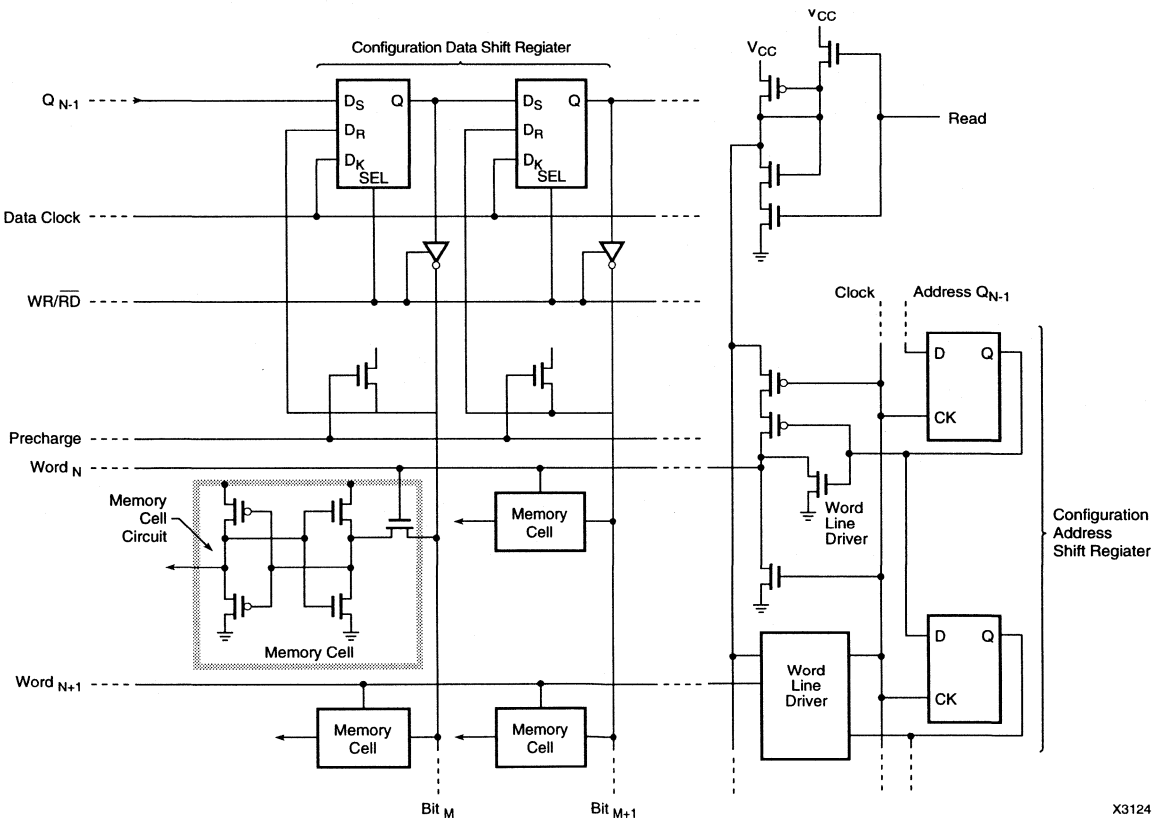


Figure 2. Configuration Memory Cell

X3124

word line High. If the stored value is a zero, the line is then discharged to ground. Reliable reading of the memory cell is achieved by reducing the word line High level during reading to a level that insures that the cell will not be disturbed.

**Electrostatic Discharge**

Electrostatic-discharge (ESD) protection for each pad is provided by a circuit that uses distributed transistors and reverse-biased diodes, represented by the circles in Figure 3. Whenever the voltage approaches a dangerous level, current flows through these distributed transistors and diodes to or from a power or ground supply rail. In addition, the inherent capacitance integrates the current

spikes. This gives sufficient time for the distributed transistors and diodes to drain the current. Geometries and doping levels are chosen to provide ESD protection at all pads for both positive and negative discharge pulses.

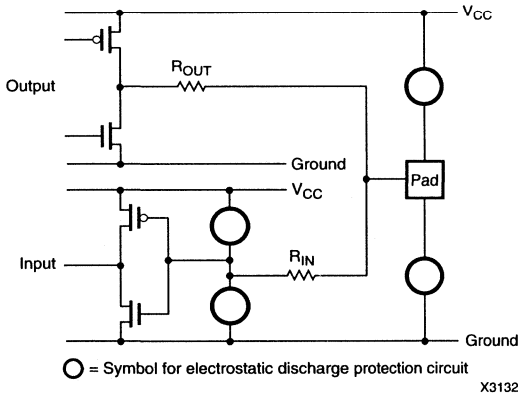


Figure 3. Input/Output Protection Circuitry

**Latchup**

Latchup is a condition in which parasitic bipolar transistors form a positive feedback loop (Figure 4), which quickly reaches current levels that permanently damage the device. Xilinx uses techniques based on doping levels and circuit placement to avoid this phenomenon. The beta of each parasitic transistor is minimized by increasing the base width. This is achieved with large physical spacings. The butting contacts effectively short the n+ and p+ regions for both wells, which makes the  $V_{BE}$  of each parasitic very close to zero. This also makes the parasitic transistors very hard to forward bias. Finally, each well is surrounded by a dummy collector, which forces the  $V_{CE}$  of each parasitic almost to zero and creates a structure in which the base width of each parasitic is large, thus making latchup extremely difficult to induce.

At elevated temperatures, 100 mA will not cause latchup. At room temperature, the FPGA can withstand more than 300 mA without latchup; the EPLD device can withstand more than 200 mA without latchup. However, to avoid metal-migration problems, continuous currents in excess of 10 mA are not recommended.

**High Temperature Performance**

Although Xilinx guarantees parts to perform only within the specifications of the data sheet, extensive high temperature life testing has been done at 145°C with excellent results.

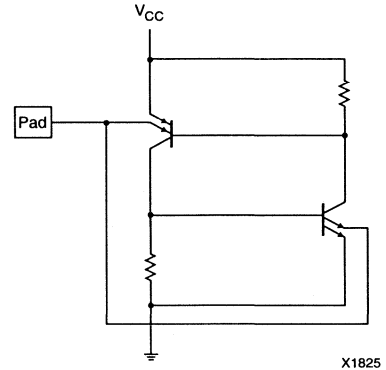


Figure 4. SCR Model

- 1 Programmable Logic Devices**
- 2 FPGA Product Descriptions and Specifications**
- 3 EPLD Product Descriptions and Specifications**
- 4 Packages and Thermal Characteristics**
- 5 Quality, Testing and Reliability**

## **6 *Technical Support***

- 7 Development Systems**
  - 8 Applications**
  - 9 The Best of XCELL**
  - 10 Index, Sales Offices**
-



## Technical Support

---

Technical Seminars and User's Group Meetings .....	6-1
Newsletter .....	6-2
Technical Bulletin Board .....	6-3
Field Applications Engineers .....	6-5
Training Courses .....	6-6
Technical Literature .....	6-7

---



# Technical Seminars and Users' Group Meetings

XILINX Seminars and Users' Group Meetings									
Tokyo	Vancouver	Minneapolis	Ottawa	Montreal	Manchester	Oslo	Helsinki		
Osaka	Seattle	Milwaukee	Toronto	Burlington	Nottingham	København	Stockholm		
Seoul	Portland	Chicago	Rochester	Boston	Reading	Dortmund	Malmö		
Taipei	Salt Lake City	Boulder	Detroit	Danbury	London	Frankfurt	Hamburg		
Hong Kong	Sunnyvale	Colorado Springs	Ann Arbor	Long Island	Amsterdam	Heidelberg	Berlin		
	Los Angeles	Phoenix	Cleveland	Holmdel	Bruxelles	Karlsruhe	Nürnberg		
	San Diego	Tucson	Indianapolis	Philadelphia	Paris	Stuttgart	München		
			Huntsville	Baltimore	Lannion	Zürich	Salzburg		
			Dallas	Atlanta	Rennes	Milano	Wien		
				Orlando	Grenoble	Torino	Tel Aviv		
				Tampa	Toulouse	Padova	Haifa		
					Madrid	Roma			

Xilinx sponsors technical seminars at locations throughout North America, Europe, and Asia.

Product-oriented seminars are directed toward new and potential users of Field Programmable Gate Arrays. These seminars include a basic description of the Logic Cell Array architecture and the benefits of this technology. Experienced users will also find these seminars useful for learning about newly released products from Xilinx.

Users' Group meetings are intended for experienced users of Xilinx Field Programmable Gate Arrays, and emphasize the use of the various development system tools to generate LCA-based designs.

Contact your local Xilinx sales office, sales representative, or distributor for information about seminars in your area.



XCELL, the quarterly customer newsletter, is dedicated to supplying up-to-date information to registered Xilinx customers, and is a valuable resource for systems designers. A typical issue of XCELL contains descriptions of recently-

introduced products, updates on component and software availability and revision levels, applications ideas, design hints and techniques, and answers to frequently-asked technical questions.



## FILE COMMANDS

Use these commands to list, download, and upload files.

### TYPE:

#### **F <CR>** [File Directories]

To list the available File Areas, the files contained in each area, and a short description of each file.

#### **T <CR>** [Transfer Protocol]

Sets the Transfer Protocol for Uploads/Downloads. If set to "None", you will be prompted for a Transfer Protocol before each Upload/Download.

#### **D <CR>** [Download a File]

To download a file from the Bulletin Board.

#### **U <CR>** [Upload a File]

To upload a file to the Bulletin Board.

#### **FLAG <CR>** [FLAG for Download]

To FLAG files for a Batch Download, you must use Ymodem as your Transfer Protocol if you use this option.

#### **DB <CR>** [DB Download Batch]

To download multiple files at one time, you must use Ymodem as your Transfer Protocol if you use this option.

#### **UB <CR>** [UB Upload Batch]

To upload multiple files at one time, you must use Ymodem as your Transfer Protocol if you use this option.

#### **N <CR>** [New Files (date)]

To search for files on the Bulletin Board newer than a specified date.

#### **L <CR>** [Locate Files (name)]

To search for files on the Bulletin Board by name.

#### **Z <CR>** [Zippy DIR Scan]

To search for files on the Bulletin Board by text. Will search by both file name and file description.



## MESSAGE COMMANDS

Use these commands to send and receive messages.

### TYPE:

#### **C <CR>** [Comment to SYSOP]

To leave a message to the System Operator on BBS issues.

#### **E <CR>** [Enter a message]

To send a message.

#### **R <CR>** [Read Messages]

To read messages and reply to messages.

#### **K <CR>** [Kill a Message]

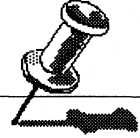
To delete a message.

#### **Y <CR>** [Your Per. Mail]

To scan the message base for messages addressed to you.

#### **TS <CR>** [TX Txt Srch Msgs]

To find a text string in the message headers and message contents accessible to you.



## GENERAL COMMANDS

General Bulletin Board Commands.

### TYPE:

#### **B <CR>** [Bulletin Listings]

To display the available Bulletins.

#### **G <CR>** [Goodbye (Hang up)]

To terminate the Bulletin Board session.

#### **H <CR>** [Help Functions]

To receive Help Text on any command.

#### **M <CR>** [Mode (Graphics)]

Toggles between the Graphics On/ Graphics Off Modes.

#### **P <CR>** [Page Length Set]

To specify the number of lines the Bulletin Board displays before it prompts "More?"

#### **X <CR>** [Xpert On/Off]

Toggles between Expert On (no menus)/ Expert Off Modes.

#### **V <CR>** [View Settings]

To display your Bulletin Board Mode settings.

#### **W <CR>** [Write User Info]

To change your password and other User Registration Information.

#### **NEWS <CR>** [NEWS file display]

To redisplay the text displayed when you initially logged on.

To provide customers with up-to-date information and an immediate response to questions, Xilinx provides a 24-hour electronic bulletin board. The Xilinx Technical Bulletin Board (XTBB) is available to all registered XACT

customers. Users with full privileges can read files on the bulletin board, download those of interest to their own systems or upload files to the XTBB. They can also leave messages for other XTBB users.

New bulletin board users must answer a questionnaire when they first access the XTBB. After answering the questionnaire callers can browse through the bulletin and general information file areas. A caller with a valid XACT protection key or valid host ID will be given full user privileges within 24 hours.

The software and hardware requirements for accessing the Xilinx Technical Bulletin Board are:

Baud Rate	9600, 4800, 2400, or 1200 bps
Character Format	8 data bits, no parity, 1 stop bit
Phone Number	(408) 559-9327
Transfer Protocols	ASCII, Xmodem, (Checksum, CRC, 1K), Ymodem

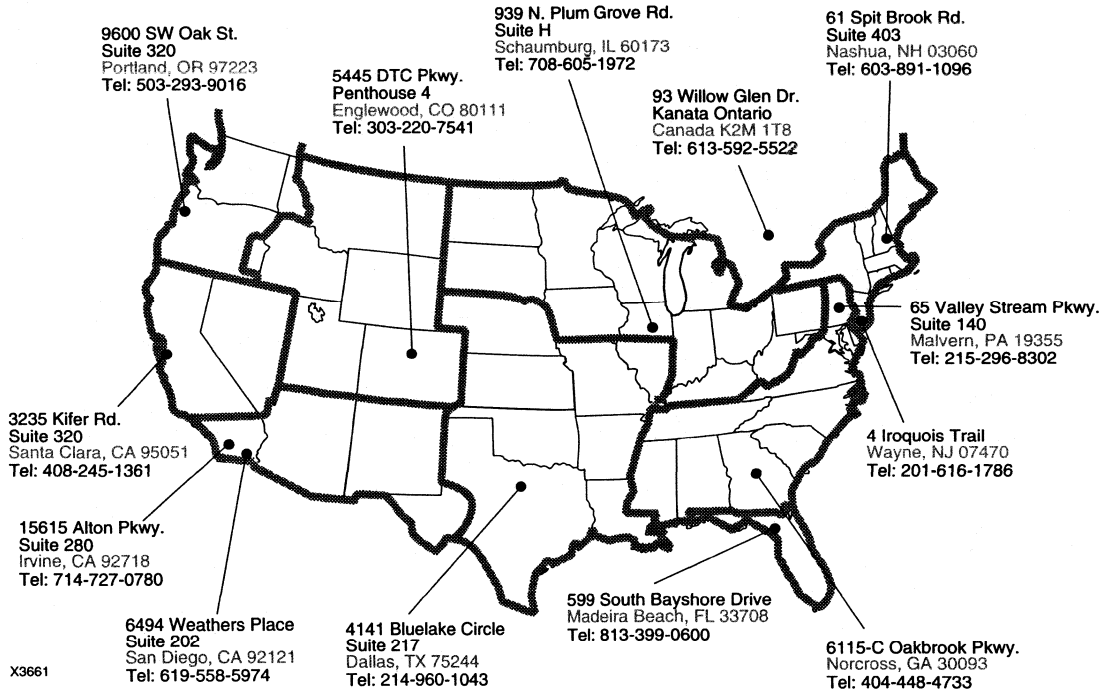
Information contained on the XTBB is divided into three general categories: 1. Bulletins, 2. Files and 3. Messages.

1. Bulletins contain tidbits of up-to-date information; they can be displayed on-screen and can be downloaded.
2. Files can contain just about anything (text, user programs, etc.). XTBB users with full privileges can download files to their own systems or upload files to the bulletin board.
3. Messages are used to communicate with other XTBB users; they can be general—available to everyone—or private.

The XTBB is based on a bulletin board system called PCBoard. This is a menu-driven system—you choose commands from menus to decide what happens next. To choose a menu command, simply type the highlighted first letter(s) of the command and press return <CR>. Listed below are some helpful hints for using the XTBB.

- To perform a sequence of commands, type the first letter of each command, followed by a space, and press return. For example, typing **F A <CR> [F]ile Directories A)ll** sends you a listing of all file directories.
- The XTBB has an extensive help section. To get help, type **H <CR>** followed by the command in question. A short explanation of the command will be displayed. You can also type **H <CR>** inside a command, and get an explanation of the sub-commands.





## North America

There are 16 Xilinx Field Applications Engineers in the locations shown above. Additional technical support is provided by Headquarters Applications. Dial (408) 879-5199 or (800) 255-7778.

The world-wide network of Xilinx Representatives and Distributors also gives technical support.

## Europe

Each of the Xilinx European sales offices in England and Germany has a resident Field Applications Engineer: England (tel 44-932-349401); Germany (tel 49-89-6110851).

## Japan

Xilinx Japan is located in Tokyo and has a resident Field Applications Engineer (tel 81-3-297-9191).



# Programmable Logic Training Courses

Xilinx Programmable Logic Training Courses are comprehensive classes covering Xilinx components and development system products. All users of Xilinx products are encouraged to attend one of our Training Courses. Attending a Xilinx Training Course is one of the fastest and most efficient ways to learn how to design with programmable logic devices from Xilinx. Hands-on expert instruction with the latest information and software will allow you to implement your own designs in less time with more effective use of the devices.

## Benefits

- Start or complete your design during the training class
- Reduce your learning time
- Make fewer design iterations
- Get to market faster
- Lower production costs
- Increase quality

## Course Outline

All FPGA classes cover the following for their respective products:

### *Automatic Translation*

- XACT Design Manager (XDM)
- XMake Program

### *Basic Device Architecture*

### *Schematic Design Entry Guidelines* (Viewlogic is used as an example)

### *MemGen RAM/ROM Compiler (XC4000)*

### *Design Implementation Tools*

- Incremental and Iterative Design Flows

### *Configuration*

- Bitstream Generator (MakeBits)
- PROM Formatter (MakePROM)
- Downloading and Readback with the XChecker Cable

### *Design Verification Techniques*

- Simulation
- XDelay Static Timing Analyzer

### *Design Editor (EditLCA)*

Advanced Training classes follow the two-day XC3000 and XC4000 classes in the factory. Topics to be covered will depend on the needs of the students, and can include logic design guidelines, optimization techniques, and more

advanced options. Advanced Training sessions may also be presented locally—contact your closest sales office for information.

## Classes

Course	Length	Recommendation	Tuition
XC3000	2 days	New XC2000/ XC3000 Users	\$750
XC3000 Advanced	1 day	Current XC2000/ XC3000 Users	Free
XC4000	2 days	New XC4000 Users	\$750
XC4000 Advanced	1 day	Current XC4000 Users	Free
XC3000 & XC4000	4 days	New Users of Both Families	\$1000

EPLD classes will begin in 1993. Please call for information and schedules.

## Prerequisites

Students need only have a background in digital logic design. Basic familiarity with PCs and the DOS operating system is helpful but not required. Regional sites in New York and Texas offer workstation-based classes. The Advanced Training sessions require previous experience with Xilinx products.

## Locations

### *Factory (San Jose, CA)*

Each class held once/month

### *30 Regional Centers Worldwide*

Typically XC3000/XC4000 class once/quarter

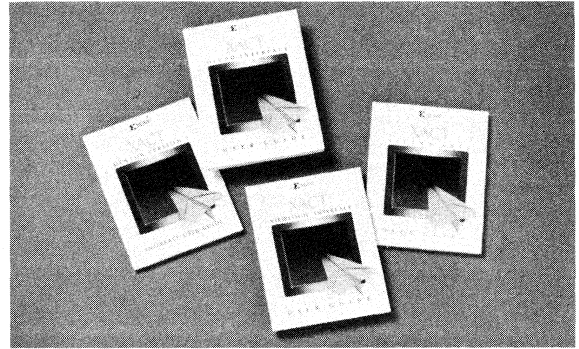
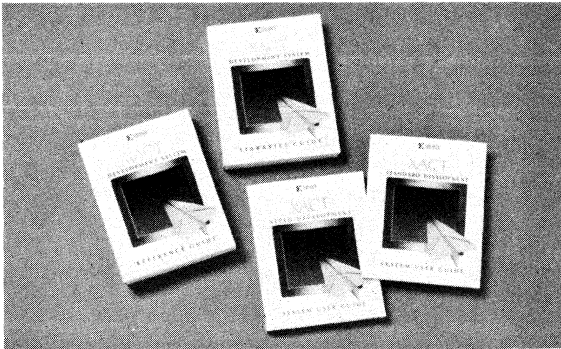
### *On-site*

According to customer need

Xilinx Training Courses are held in over 15 states across the United States and more than 12 countries worldwide. Contact Xilinx Headquarters or your local sales office for the latest information on classes in your area. Xilinx can also bring the Training Course to your own facility.

## Enrollment and Information

To enroll or to get information, call the Xilinx Training Administrator at (408) 879-5090, or your local sales office. For many classes, registering three weeks early entitles you to a 10% discount on tuition.



## Technical Literature

Xilinx provides manuals and supporting documents for development systems, libraries, CAE tool interfaces, and related software tools such as logic synthesis. These manuals are organized in several categories — Development System User Guides, Interface User Guides, Library Guides, and Reference Guides.

*Development System User Guides* are introductory manuals that cover basic information about using Xilinx software. They address such topics as design entry and design verification in the Xilinx environment. User guides are provided for development system core software and for enhancements such as the Xilinx-ABEL and X-BLOX tools.

*Interface User Guides* address CAE tools as they relate to the Xilinx design environment. They address such topics as design entry and verification in the Xilinx environment using specific CAE tools. These guides include design flow, creating designs, translating designs into Xilinx format, verification and simulation of designs, and implementing designs. Tutorial information about the CAE tool is included in the interface guides, covering both design entry and design verification. When appropriate, sections covering CAE tool commands, options, and variables are also included in Interface User Guides.

*Library Guides* include information about primitives, gates, flip-flops, pads, I/O functions, and macros available for Xilinx programmable logic families. These guides include appropriate symbols, descriptions, truth tables and schematics for design resource elements available across all Xilinx programmable logic device families. Functional selection guides list all elements available in each logic family and all X-BLOX elements.

*Reference Guides* cover details about each Xilinx software program, including the commands, options, variables, and arguments related to each program. These guides include information about the files required and the files generated, as well as warning and error messages. Reference guides address software functions and software capability, but do not always include “how to” information. Reference Guide contents are organized by function, following a “typical” design-flow model to provide details about specific functions that may be needed.

## Documentation Sets

New documentation is provided in individual books covering development system software, CAE interfaces, libraries, and program reference information. Appropriate books are included with each software package. Additional books and book sets can be ordered.

## CAE Tool Documents

Xilinx provides manuals covering CAE tools to those customers who buy these tools through Xilinx. These manuals are reprinted by Xilinx with permission from the CAE tool manufacturers. The content of these manuals is provided by the CAE tool manufacturers. Questions about the information in these manuals should be directed to the CAE tool manufacturer. The Viewlogic Workview Series I, Volumes 1, 2, and 3 books, and the Viewlogic ViewSynthesis book are examples of such manuals.



- 1 Programmable Logic Devices**
- 2 FPGA Product Descriptions and Specifications**
- 3 EPLD Product Descriptions and Specifications**
- 4 Packages and Thermal Characteristics**
- 5 Quality, Testing and Reliability**
- 6 Technical Support**

## ***7 Development Systems***

- 8 Applications**
  - 9 The Best of XCELL**
  - 10 Index, Sales Offices**
-



## Development Systems

---

Overview .....	7-1
Product Packages .....	7-2
Xilinx Automatic CAE Tools Product Overview .....	7-3
Bundled Packages Product Descriptions .....	7-13
Individual Product Descriptions .....	7-29

---

## *Overview*

This section describes the Xilinx Automated CAE Tools (XACT) design environment for Xilinx FPGA and EPLD devices.

Xilinx offers a variety of development system products optimized to support Xilinx FPGA and EPLD architectures. Available products include state-of-the-art design compilation software, libraries and interfaces to popular schematic editors and timing simulators, and behavioral-based design entry tools. All Xilinx development system

software is integrated under the Xilinx Design Manager (XDM), providing designers with a common user interface regardless of their choice of device architecture and tools.

Xilinx software is available in both bundled packages containing entire sets of tools and as separate products. New enhancements are constantly being developed by the Xilinx research and development staff, and update services are available to ensure timely access to the latest versions.

### *Product Packages*

Xilinx Development System software is available as bundled packages or separate products. Packages are designed to address the needs of different types of users and are available for a variety of CAD systems and platforms.

#### **Base Packages**

The Base package provides schematic capture and simulation interfaces, design implementation tools and download hardware for low-complexity Xilinx devices. These devices include the complete XC7200/XC7300 EPLD families, the complete XC2000 FPGA family and the XC3000/XC3100 FPGA family of devices up to the XC3130. A special version is available for Viewlogic on the PC that includes the Viewdraw schematic editor and Viewsim simulator (limited to 5,000 gates).

#### **Standard Packages**

The Standard package provides schematic capture and simulation interfaces, design implementation tools and download hardware for a broader range of Xilinx devices. These devices include the XC7200/XC7300 EPLD family and the complete XC2000, XC3000/XC3100 and XC4000 FPGA families. A special version is available for Viewlogic on the PC that includes the Viewdraw schematic editor and Viewsim simulator (unlimited gates).

#### **Extended Packages**

The Extended package provides all the capability of the Standard package plus X-BLOX Architectural Synthesis. A special version is available for Viewlogic on the PC that includes the Viewdraw schematic editor, Viewsim simulator (unlimited gates) and Viewsynthesis with X-BLOX integration.

#### **Stand-alone Packages (/S)**

The Base, Standard and Extended packages are also available as stand-alone systems, denoted by /S, that include the Viewdraw-LCA schematic capture package and the Viewsim-LCA logic simulator. These packages are designed for those who do not already have a schematic capture and simulator design system.

All of the Xilinx Development System software, hardware and documentation is available as individual products for adding to an existing package or creating a new one.

### **Product Descriptions**

*Libraries and Interface* – Contains symbol libraries for specified schematic editor, simulation models with timing information for specified simulator and a program to translate between the schematic editor or simulator's file format and the XNF file format.

*Core Implementation* – Provides the software necessary to process a netlist file into a bit-map file that can be downloaded into a Xilinx device. Includes tools for logic reduction, design rule checking, mapping, automatic placement and routing, interactive placement and routing, bit-stream generation and bit-map file generation.

*Logic Synthesis Interface* – Provides the tools to use a third-party high-level description language and synthesis tool for Xilinx design entry.

*X-BLOX Architectural Synthesis* – Permits entering FPGA designs as block diagrams using a familiar schematic editor. Using built-in expert knowledge, X-BLOX software automatically optimizes the design to take full advantage of the unique features of the Xilinx FPGA architecture.

*Xilinx ABEL* – Supports text-based design entry and netlist translation using ABEL high-level description language. The ABEL language supports different design styles including Boolean equations, truth tables and encoded or symbolic state machines.

*Parallel Download Cable* – Supports downloading of FPGA bitstreams and PROM files from the parallel port of IBM PCs and compatibles.

*XChecker Cable* – Supports downloading of FPGA bitstreams and PROM files and readback of configuration data and internal node values. This cable uses the serial port of IBM PCs and compatibles as well as workstations.

*XC3000 Demonstration Board* – Provides demonstration or prototype capability for XC3000/XC3100 family devices in 68-pin PLCC packages.

*XC4000 Demonstration Board* – Provides demonstration or prototype capability for XC4000 family devices in 84-pin PLCC packages.



## *Xilinx Automatic CAE Tools Product Overview*

### FPGA Design Flow

The Xilinx Automatic CAE Tools (XACT Development System) use a 3-step design process:

- Step 1 Design Entry
- Step 2 Design Implementation
- Step 3 Design Verification

The Xilinx Logic Libraries and XNF Interface Products support design entry with popular schematic logic drawing systems supplied by multiple vendors, providing easy entry to the XACT Development System.

Logic synthesis, partitioning, and optimization programs translate the design specifications into CLBs and IOBs unique to the LCA architecture. Subsequent programs perform automatic placement and routing to complete the LCA design.

While completely automatic implementation is desirable for both low- and high-complexity designs, the designer may prefer an interactive process, especially in high-performance designs. This interactive editing can range from rerouting a few previously automatically routed nets, to prerouting critical nets or preplacing CLBs prior to design completion using APR/PPR, to more extensive control over logic partitioning and placement into CLBs. The Design Implementation software gives the designer an option for direct control over specific logic mapped into CLBs (partitioning) to provide better distribution of logic signal routing through the LCA device. The XACT Design Editor, XDE, is extremely versatile, ranging from design entry to CLB and signal routing manipulations. This combination of automatic and interactive design editing capability is a unique feature provided by Xilinx.

Logic simulation or actual in-circuit emulation provides for functional verification, while timing analysis permits verification of critical timing paths under worst-case conditions. The system contains a compiler to generate bitstream patterns to configure the LCA device according to the designer's specification. The overall design flow is illustrated on page 7-3.

An important feature of the XACT Development System is the capability to incorporate design changes, frequently encountered during verification. Small changes can be made to the schematics and then automatically incorporated into the existing design with minimal impact on existing routing and performance. Using this "incremental design" capability, the designer can develop "production

quality" programmable gate arrays on a PC or engineering workstation.

### EPLD Design Flow

The Xilinx XEPLD development tool also uses a 3-step design process.

- Step 1 – Design Entry
- Step 2 – Design Implementation
- Step 3 – Design Verification

Designs can be represented as schematics consisting of XEPLD library components, as behavioral descriptions, or a mixture of both.

The XEPLD translator reads Boolean equations and schematic netlists. It minimizes equations, optimizes the design and maps the result onto a selected EPLD device.

The DS550 XEPLD translator produces a simulation-model file for either the Viewlogic Viewsim or OrCAD VST simulator. The overall design flow is illustrated on page 7-4.

### Platform and Environment Support

The Xilinx Automatic CAE Tools, XACT, are currently available for the following platforms:

- '386/486 PCs, PS/2, and compatibles
- HP700 Series
- Sun-4 and SparcStation Series

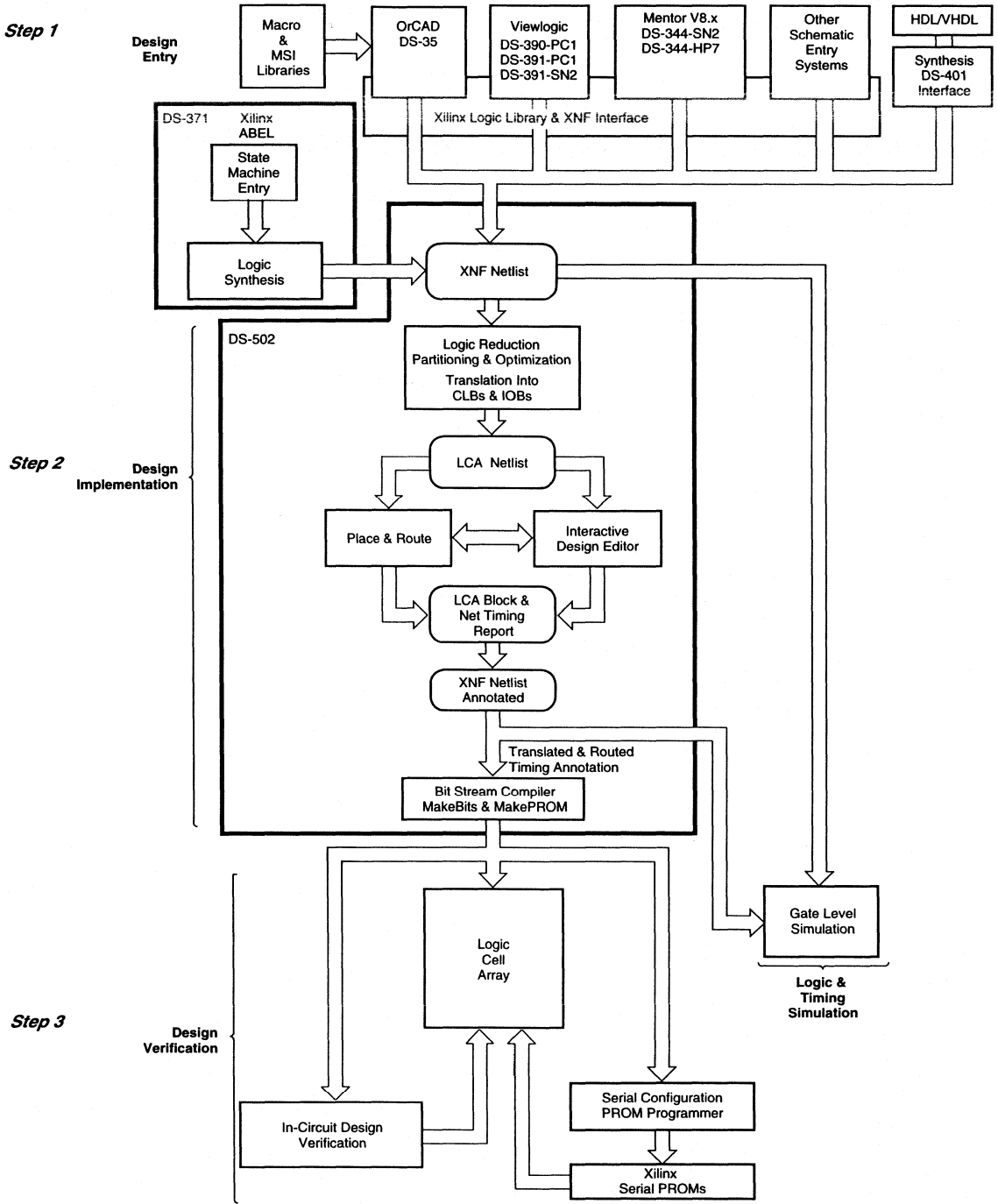
Xilinx and third-party vendors have developed library and interface products compatible with a variety of design entry and simulation environments. Xilinx has provided a standard interface file specification, XNF, to simplify file transfers into and out of the XACT Development System.

Xilinx directly supports the following design environments:

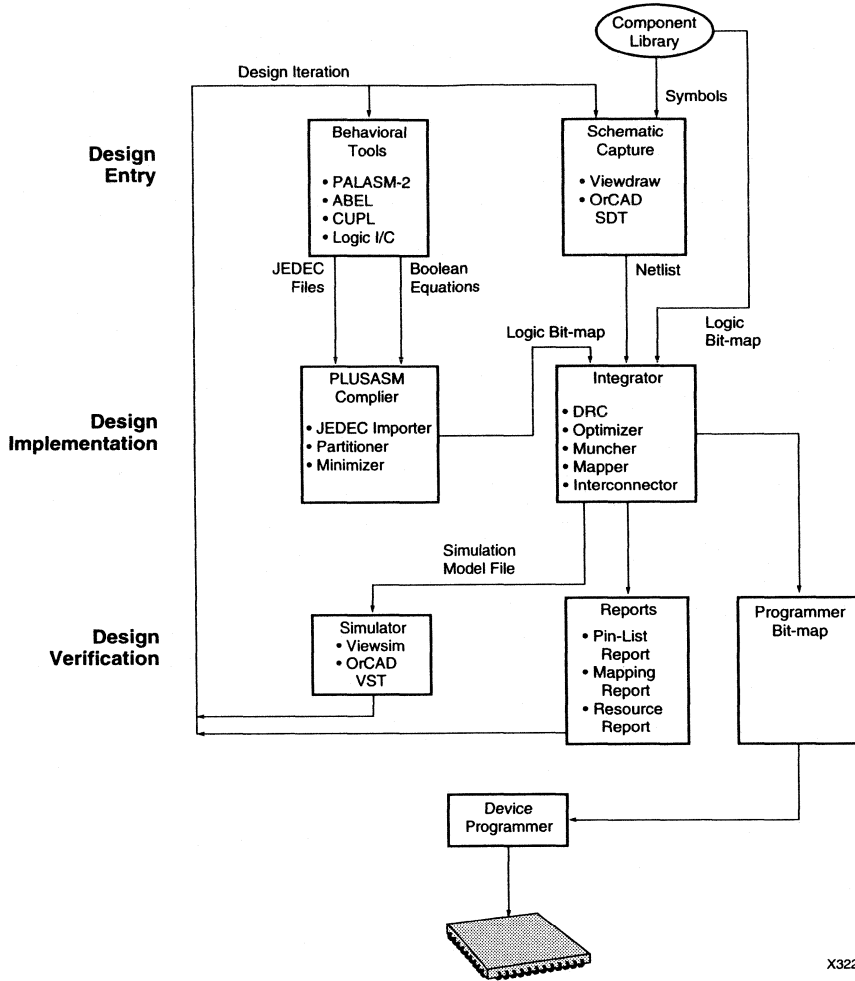
- Viewlogic Viewdraw and Viewsim
- Mentor Graphics Design Architect and Quicksim II
- OrCAD SDT and VST

Several other environments are supported by third-party vendors.

The XACT Design Manager, XDM, simplifies the selection of command-line options with pull-down menus and on-line help text. Application programs ranging from schematic capture to APR/PPR can be accessed from the XDM, while the sequence of program commands is generated and stored for documentation prior to execution. The XMAKE command in the XDM automates the entire translation, optimization, merging, and mapping process.



X3259



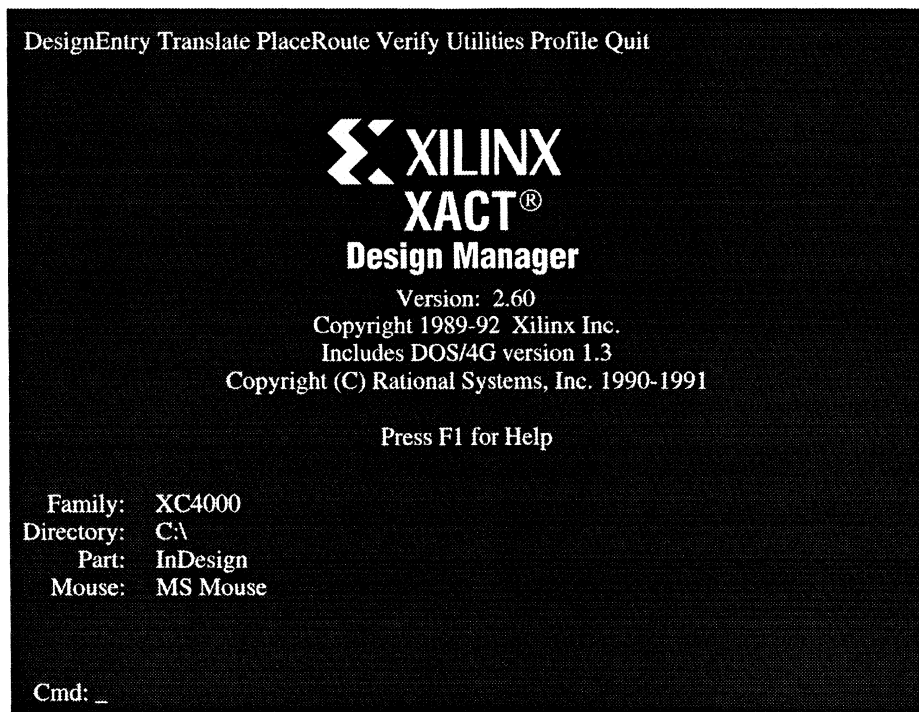
X3227

EPLD Design Flow



## *The Xilinx Design Manager—Simplifies the Design Flow*

- Permits running all Xilinx software from menus
- XMake facility automates design translation
- Provides on-line help for all menus, programs and options



X4042

### **XMake Command**

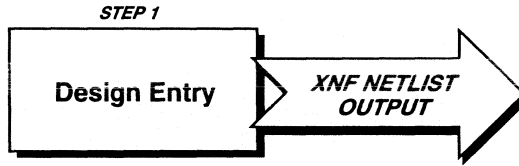
- Automatically invokes all other translation programs as required to compile a design into an FPGA or EPLD
- Supports hierarchically structured designs

### **Extensive On-line Help**

The Design Manager contains on-line Help for

- Every menu
- Every program
- Every program option
- Design-flow suggestions

### FPGA Design Flow

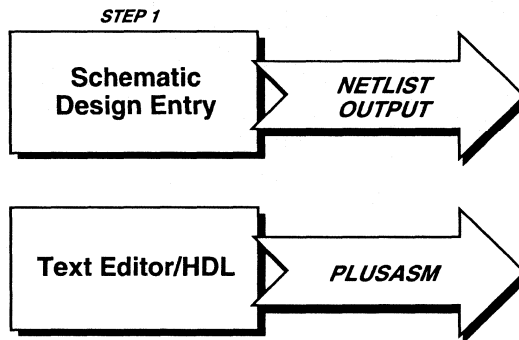


X3236

- Open development system supports design entry and simulation on popular CAE systems
- Interfaces available from Xilinx for PC- and workstation-based environments:
  - Viewdraw, OrCAD, Mentor V8
  - XACT-Performance allows designers to enter their design performance requirements directly in their schematic
- Standard macro library includes over 300 elements
- Several other PC and workstation environments are supported by third-party vendors
- Xilinx ABEL provides efficient state machine implementation for LCA architecture
- Synthesis from behavioral hardware description languages (HDLs) to LCA device with interfaces to Synopsys and Viewlogic

---

### XEPLD Design Flow



X1837

- Open development system supports design entry and simulation on popular CAE systems.
- Schematic Capture tools – OrCAD, Viewlogic
- Boolean Equation format – PALASM-2, PLUSASM
- Logic Compilers, including state-machine entry – ABEL, CUPL, Logic I/C

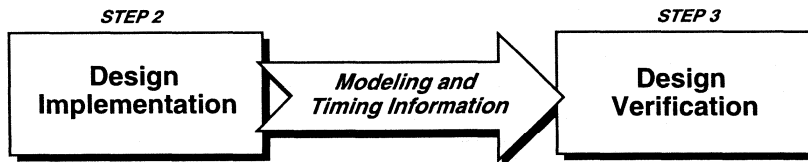
## FPGA Design Flow (continued)



X3237

- Complete system translates design into programmable gate arrays
- Performance based on specified timing requirements
- Partitions gate-level design logic into LCA architecture (CLB/IOB)
- Automatic logic reduction and partitioning removes unused logic, e.g. unused counter outputs
- X-BLOX synthesis software optimizes design for LCA architecture
- Interfaces available from Xilinx to popular simulators for logic and full timing simulation
  - Mentor Graphics
  - Viewlogic
  - OrCAD
- Several other simulators are supported by third-party vendors
- LCA user-programmability permits real time, in-circuit debugging
- XChecker download cable allows the LCA device to be programmed in-circuit during debugging

## XEPLD Design Flow (continued)



X1838

- The Optimizer module optimizes components, such as ANDs, inverters, flip-flops, so that they, whenever possible, consume no Macrocell resources and incur no propagation delay.
- The DRC module checks the design for EPLD design-rule violations.
- The Muncher module identifies and eliminates unused resources, e.g., unconnected outputs.
- The Mapper module maps the specified components onto appropriate resources of the EPLD device.
- The Interconnector module connects all components that were mapped into the EPLD device.
- The Programmer module generates a fuse map file, which is down loaded to a third party or XEPLD programmer unit that is used to program the EPLD device.
- The XEPLD translator produces simulation models.
- The Reporter module generates pin-out information and resource-utilization results.

## Packages for the PC

Feature	Viewlogic			Viewlogic/S			OrCAD	
	Base	Standard	Extended	Base	Standard	Extended	Base	Standard
Libraries and Interface	✓	✓	✓	✓	✓	✓	✓	✓
Schematic Editor				✓	✓	✓		
Simulator (Limited Gates)				✓				
Simulator (Unlimited Gates)					✓	✓		
EPLD Devices XC7200, XC7300	✓	✓	✓	✓	✓	✓	✓	✓
FPGA Devices up to XC3130	✓			✓			✓	
FPGA Devices 2K, 3K, 4K		✓	✓		✓	✓		✓
Core Implementation Tools	✓	✓	✓	✓	✓	✓	✓	✓
XDE (Xilinx Design Editor)		✓	✓		✓	✓		✓
Synthesis Tools						✓		
X-BLOX			✓			✓		
Parallel Download Cable	✓			✓			✓	
XChecker Cable		✓	✓		✓	✓		✓
XC3000 Demonstration Board	✓	✓	✓	✓	✓	✓	✓	✓
XC4000 Demonstration Board		✓	✓		✓	✓		✓
Telephone Support	✓	✓	✓	✓	✓	✓	✓	✓
1 Year Support and Updates		✓	✓	✓	✓	✓		✓

X3228

## Packages for Workstations

Feature	Viewlogic			Mentor	
	Base	Standard	Extended	Standard	Extended
Libraries and Interface	✓	✓	✓	✓	✓
EPLD Devices XC7200, XC7300	✓	✓	✓		
FPGA Devices up to XC3130	✓				
FPGA Devices 2K, 3K, 4K		✓	✓	✓	✓
Core Implementation Tools	✓	✓	✓	✓	✓
XDE (Xilinx Design Editor)		✓	✓		✓
Synthesis Tools					
X-BLOX			✓		✓
Parallel Download Cable					
XChecker Cable	✓	✓	✓	✓	✓
XC3000 Demonstration Board	✓	✓	✓	✓	✓
XC4000 Demonstration Board		✓	✓	✓	✓
Telephone Support	✓	✓	✓	✓	✓
1 Year Support and Updates	✓	✓	✓	✓	✓

X3229



## Individual Products for PCs and Workstations

Individual Products	PC	Workstations	
		Sun-4	HP7
Viewlogic FPGA Interface (DS-391)	✓	✓	
Viewlogic Schematic Editor (DS-390)	✓		
Viewlogic Simulator (DS-290)	✓		
OrCAD FPGA Interface (DS-35)	✓		
Mentor V8 FPGA Interface (DS-344)		✓	✓
Cadence FPGA Interface		✓	
Synopsys FPGA Interface (DS-401)		✓	✓
FPGA Core Implementation (DS-502)	✓	✓	✓
EPLD Core Implementation (DS-550)	✓	✓	
X-BLOX (DS-380)	✓	✓	✓
Xilinx Abel (DS-371)	✓	✓	
Parallel Download Cable	✓		
XChecker Cable	✓	✓	✓
XC3000 Demonstration Board	✓	✓	✓
XC4000 Demonstration Board	✓	✓	✓

X3230





# Bundled Packages Product Descriptions

---

## *Table of Contents*

OrCAD – Base System (PC) .....	7-14
OrCAD – Standard System (PC) .....	7-15
Viewlogic – Base System (PC) .....	7-16
Viewlogic – Standard System (PC) .....	7-17
Viewlogic – Extended System (PC) .....	7-12
Viewlogic – Base/S System (PC) .....	7-19
Viewlogic – Standard/S System (PC) .....	7-20
Viewlogic – Extended/S System (PC) .....	7-21
Viewlogic – Standard System (Sun-4) .....	7-22
Viewlogic – Extended System (Sun-4) .....	7-23
Mentor V8 – Standard System (Sun-4) .....	7-24
Mentor V8 – Extended System (Sun-4) .....	7-25
Mentor V8 – Standard System (HP700 Series) ...	7-26
Mentor V8 – Extended System (HP700 Series) ..	7-27

# OrCAD – Base System (PC)

## Base System

- Schematic Interface for OrCAD SDT/SDT386+ with library support for XC2000 and XC3000/XC3100 FPGAs and XC7200/XC7300 EPLDs
- Functional and Timing Simulation Interface for OrCAD VST/VST386+
- Core implementation software for XC7200/XC7300 EPLDs and FPGA device support from XC2064 through XC3130
- XC3000 Demonstration Board
- Parallel Download Cable

## Support and Updates

- Telephone support, 1-800-255-7778, for six months
- Access to Xilinx bulletin board
- Apps FAX

## Notes

- 1-800 telephone support is included for the first 6 months only. Additional support or Updates may be purchased separately.
- This package does not include the OrCAD SDT schematic capture or VST simulation tools. They must be purchased separately from OrCAD.

## Required System Environment

- Fully compatible PC386/486
- MS-DOS version 5.0 or greater
- Minimum 50 Mbyte hard-disk space for Xilinx software
- One 3.5" or 5.25" high-density floppy disk drive
- VGA display
- One parallel and two serial ports
- 8 Mbyte of RAM
- Mouse

Package Features - OrCAD PC

Feature	Base	Std.
Libraries and Interface	✓	✓
Schematic Editor		
Simulator (Limited)		
Simulator (Unlimited)		
EPLD	✓	✓
FPGA up to XC3130	✓	
FPGA 2K, 3K, 4K		✓
Core Implementation	✓	✓
XDE (Design Editor)		✓
Synthesis Tools		
X-BLOX		
Parallel Download	✓	
XChecker Cable		✓
3K Demoboard	✓	✓
4K Demoboard		✓
Telephone Support	✓	✓
1 Yr Support, Updates		✓

X3232

## OrCAD – Standard System (PC)

### Standard System

- Schematic Interface for OrCAD SDT/SDT386+ with library support for XC2000, XC3000/XC3100, and XC4000 FPGAs and XC7200/XC7300 EPLDs
- Functional and Timing Simulation Interface for OrCAD VST/VST386+
- Core implementation software for XC7200/XC7300 EPLDs (DS-550) and FPGAs (DS-502) with device support for all families (XC2000, XC3000/XC3100, and XC4000)
- XC3000 and XC4000 demonstration boards
- XChecker Diagnostic Cable
- Software Support and Updates for first year

### Support and Updates

- Telephone support, 1-800-255-7778, for the first year
- Access to Xilinx bulletin board
- Apps FAX
- Software Updates for one year
- Documentation Updates

### Note

- This package does not include the OrCAD SDT schematic capture or VST simulation tools. They must be purchased separately from OrCAD. Xilinx recommends VST386+ for simulation above 4200 gates.

### Required System Environment

- Fully compatible PC386/486
- MS-DOS version 5.0 or greater
- Minimum 80 to 100 Mbyte hard-disk space for Xilinx software
- One 3.5" or 5.25" high-density floppy disk drive
- VGA display
- One parallel and two serial ports
- 8 Mbytes of RAM for devices up to XC4006
- 16 Mbytes of RAM for XC4008 and above
- Mouse

### Package Features - OrCAD PC

Feature	Base	Std.
Libraries and Interface	✓	✓
Schematic Editor		
Simulator (Limited)		
Simulator (Unlimited)		
EPLD	✓	✓
FPGA up to XC3130	✓	
FPGA 2K, 3K, 4K		✓
Core Implementation	✓	✓
XDE (Design Editor)		✓
Synthesis Tools		
X-BLOX		
Parallel Download	✓	
XChecker Cable		✓
3K Demoboard	✓	✓
4K Demoboard		✓
Telephone Support	✓	✓
1 Yr Support, Updates		✓

X3232

## Viewlogic – Base System (PC)

### Base System

- Schematic Interface for Viewdraw with library support for XC2000 and XC3000/XC3100 FPGAs and XC7200/XC7300 EPLDs
- Functional and Timing Simulation Interface for Viewsim
- Core implementation software for XC7200/XC7300 EPLDs and FPGA device support from XC2064 through XC3130
- XC3000 Demonstration Board
- Parallel Download Cable

### Support and Updates

- Telephone support, 1-800-255-7778, for first six months
- Access to Xilinx bulletin board
- Apps FAX
- Software Updates for one year
- Documentation Updates

### Note

- This package includes 1-800 telephone support for six months. Additional Hotline Support and Updates can be purchased.
- This package does not include Viewdraw schematic capture or Viewsim simulation tools. They must be purchased separately from Viewlogic or Xilinx (see /S packages).
- Interface supports Workview 4.X, ProSeries software and Workview PLUS.

### Required System Environment

- Fully compatible PC386/486
- MS-DOS version 5.0 or greater
- Minimum 60 Mbytes disk space
- One 3.5" or 5.25" high-density floppy drive
- VGA display
- Three-button serial mouse with driver support of Mouse System Emulation (5-bytes packed binary format). Suggested mice include - *Logitech: C7, C9, Mouseman Combo, Trackman Combo, Mouse Systems: M4, PC Mouse, White Mouse, PC Accessories: Budget 260 Serial*
- One parallel and two serial ports
- 8 Mbytes of RAM
- Quarterdeck EMM (QEMM-386) provided with system

### Package Features - Viewlogic PC

Feature	Base	Std.	Ext.	Base /S	Std. /S	Ext. /S
Libraries and Interface	✓	✓	✓	✓	✓	✓
Schematic Editor				✓	✓	✓
Simulator (Limited)				✓		
Simulator (Unlimited)					✓	✓
EPLD	✓	✓	✓	✓	✓	✓
FPGA up to XC3130	✓			✓		
FPGA 2K, 3K, 4K		✓	✓		✓	✓
Core Implementation	✓	✓	✓	✓	✓	✓
XDE (Design Editor)		✓	✓		✓	✓
Synthesis Tools						✓
X-BLOX			✓			✓
Parallel Download	✓			✓		
XChecker Cable		✓	✓		✓	✓
3K Demoboard	✓	✓	✓	✓	✓	✓
4K Demoboard		✓	✓		✓	✓
Telephone Support	✓	✓	✓	✓	✓	✓
1 Yr Support, Updates		✓	✓	✓	✓	✓

X3233

# Viewlogic – Standard System (PC)

## Standard System

- Schematic Interface for Viewdraw with library support for XC2000, XC3000/XC3100, XC4000 FPGAs and XC7200/XC7300 EPLDs
- Functional and Timing Simulation Interface for Viewsim
- Core implementation software for XC7200/XC7300 EPLDs (DS-550) and FPGAs (DS-502) with device support for all families (XC2000, XC3000/XC3100, and XC4000)
- XC3000 and XC4000 Demonstration Boards
- XChecker Diagnostic Cable

## Support and Updates

- Telephone support, 1-800-255-7778, for first year
- Access to Xilinx bulletin board
- Apps FAX
- Software Updates for one year
- Documentation Updates

## Note

- This package does not include Viewdraw schematic capture or Viewsim simulation tools. They must be purchased separately from Viewlogic or Xilinx (see /S packages).
- Interface supports Workview 4.X, ProSeries software and Workview PLUS.

## Required System Environment

- Fully compatible PC386/486
- MS-DOS version 5.0 or greater
- Minimum 80 to 100 Mbytes hard-disk space for Xilinx software
- One 3.5" or 5.25" high-density floppy drive
- VGA display
- Three-button serial mouse with driver support of Mouse System Emulation (5-bytes packed binary format). Suggested mice include - *Logitech: C7, C9, Mouseman Combo, Trackman Combo, Mouse Systems: M4, PC Mouse, White Mouse, PC Accessories: Budget 260 Serial*
- One parallel and two serial ports
- 8 Mbytes of RAM for devices up to XC4006
- 16 Mbytes of RAM for XC4008 and above
- Quarterdeck EMM (QEMM-386) provided with system

## Package Features - Viewlogic PC

Feature	Base	Std.	Ext.	Base /S	Std. /S	Ext. /S
Libraries and Interface	✓	✓	✓	✓	✓	✓
Schematic Editor				✓	✓	✓
Simulator (Limited)				✓		
Simulator (Unlimited)					✓	✓
EPLD	✓	✓	✓	✓	✓	✓
FPGA up to XC3130	✓			✓		
FPGA 2K, 3K, 4K		✓	✓		✓	✓
Core Implementation	✓	✓	✓	✓	✓	✓
XDE (Design Editor)		✓	✓		✓	✓
Synthesis Tools						✓
X-BLOX			✓			✓
Parallel Download	✓			✓		
XChecker Cable		✓	✓		✓	✓
3K Demoboard	✓	✓	✓	✓	✓	✓
4K Demoboard		✓	✓		✓	✓
Telephone Support	✓	✓	✓	✓	✓	✓
1 Yr Support, Updates		✓	✓	✓	✓	✓

X3233

## Viewlogic – Extended System (PC)

### Extended System

- Schematic Interface for Viewdraw with library support for XC2000, XC3000/XC3100, XC4000 FPGAs and XC7200/XC7300 EPLDs
- Functional and Timing Simulation Interface for Viewsim
- X-BLOX Architectural Synthesis
- Core implementation software for XC7200/XC7300 EPLDs (DS-550) and FPGAs (DS-502) with device support for all families (XC2000, XC3000/XC3100, and XC4000)
- XC3000 and XC4000 Demonstration Boards
- XChecker Diagnostic Cable

### Support and Updates

- Telephone support, 1-800-255-7778, for first year
- Access to Xilinx bulletin board
- Apps FAX
- Software Updates for one year
- Documentation Updates

### Note

- This package does not include Viewdraw schematic capture, Viewsim simulation or ViewSynthesis tools. They must be purchased separately from Viewlogic or Xilinx (see /S packages).
- Interface supports Workview 4.X, ProSeries software and Workview PLUS.

### Required System Environment

- Fully compatible PC386/486
- MS-DOS version 5.0 or greater
- Minimum 80 to 100 Mbytes disk space
- One 3.5" or 5.25" high-density floppy drive
- VGA display
- Three-button serial mouse with driver support of Mouse System Emulation (5-bytes packed binary format). Suggested mice include - *Logitech: C7, C9, Mouseman Combo, Trackman Combo, Mouse Systems: M4, PC Mouse, White Mouse, PC Accessories: Budget 260 Serial*
- One parallel and two serial ports
- 8 Mbytes of RAM for devices up to XC4006
- 16 Mbytes of RAM for XC4008 and above
- Quarterdeck EMM (QEMM-386) provided with system

### Package Features - Viewlogic PC

Feature	Base	Std.	Ext.	Base /S	Std. /S	Ext. /S
Libraries and Interface	✓	✓	✓	✓	✓	✓
Schematic Editor				✓	✓	✓
Simulator (Limited)				✓		
Simulator (Unlimited)					✓	✓
EPLD	✓	✓	✓	✓	✓	✓
FPGA up to XC3130	✓			✓		
FPGA 2K, 3K, 4K		✓	✓		✓	✓
Core Implementation	✓	✓	✓	✓	✓	✓
XDE (Design Editor)		✓	✓		✓	✓
Synthesis Tools						✓
X-BLOX			✓			✓
Parallel Download	✓			✓		
XChecker Cable		✓	✓		✓	✓
3K Demoboard	✓	✓	✓	✓	✓	✓
4K Demoboard		✓	✓		✓	✓
Telephone Support	✓	✓	✓	✓	✓	✓
1 Yr Support, Updates		✓	✓	✓	✓	✓

X3233



# Viewlogic – Base/S System (PC)

## Base/S System

- Viewdraw Schematic editor with library support for XC2000 and XC3000/XC3100 FPGAs and XC7200/XC7300 EPLDs
- Viewsim Functional and Timing Simulation for designs up to 5,000 gates
- Core implementation software for XC7200/XC7300 EPLDs and FPGA device support from XC2064 through XC3130
- XC3000 Demonstration Board
- Parallel Download Cable

## Support and Updates

- Telephone support, 1-800-255-7778, for first year
- Access to Xilinx bulletin board
- Apps FAX
- Software Updates for one year
- Documentation Updates

## Required System Environment

- Fully compatible PC386/486
- MS-DOS version 5.0 or greater
- Minimum 70 Mbytes hard-disk space for Xilinx software
- One 3.5" or 5.25" high-density floppy disk drive
- VGA display
- Three-button serial mouse with driver support of Mouse System Emulation (5-bytes packed binary format). Suggested mice include - *Logitech: C7, C9, Mouseman Combo, Trackman Combo, Mouse Systems: M4, PC Mouse, White Mouse, PC Accessories: Budget 260 Serial*
- One parallel and two serial ports
- 8 Mbytes of RAM
- Quarterdeck EMM (QEMM-386) provided with system

## Package Features - Viewlogic PC

Feature	Base	Std.	Ext.	Base /S	Std. /S	Ext. /S
Libraries and Interface	✓	✓	✓	✓	✓	✓
Schematic Editor				✓	✓	✓
Simulator (Limited)				✓		
Simulator (Unlimited)					✓	✓
EPLD	✓	✓	✓	✓	✓	✓
FPGA up to XC3130	✓			✓		
FPGA 2K, 3K, 4K		✓	✓		✓	✓
Core Implementation	✓	✓	✓	✓	✓	✓
XDE (Design Editor)		✓	✓		✓	✓
Synthesis Tools						✓
X-BLOX			✓			✓
Parallel Download	✓			✓		
XChecker Cable		✓	✓		✓	✓
3K Demoboard	✓	✓	✓	✓	✓	✓
4K Demoboard		✓	✓		✓	✓
Telephone Support	✓	✓	✓	✓	✓	✓
1 Yr Support, Updates		✓	✓	✓	✓	✓

X3233

## Viewlogic – Standard/S System (PC)

### Standard/S System

- Viewdraw Schematic editor with library support for XC2000, XC3000/XC3100, XC4000 FPGAs and XC7200/XC7300 EPLDs
- Viewsim Functional and Timing Simulation (unlimited gates)
- Core implementation software for XC7200/XC7300 EPLDs (DS-550) and FPGAs (DS-502) with device support for all families (XC2000, XC3000/XC3100, and XC4000)
- XC3000 and XC4000 Demonstration Boards
- XChecker Diagnostic Cable

### Support and Updates

- Telephone support, 1-800-255-7778, for first year
- Access to Xilinx bulletin board
- Apps FAX
- Software Updates for one year
- Documentation Updates

### Required System Environment

- Fully compatible PC386/486
- MS-DOS version 5.0 or greater
- Minimum 90 to 110 Mbytes hard-disk space for Xilinx software
- One 3.5" or 5.25" high-density floppy disk drive
- VGA display
- Three-button serial mouse with driver support of Mouse System Emulation (5-bytes packed binary format). Suggested mice include - *Logitech: C7, C9, Mouseman Combo, Trackman Combo, Mouse Systems: M4, PC Mouse, White Mouse, PC Accessories: Budget 260 Serial*
- One parallel and two serial ports
- 8 Mbytes of RAM for devices up to XC4006
- 16 Mbytes of RAM for XC4008 and above
- Quarterdeck EMM (QEMM-386) provided with system

### Package Features - Viewlogic PC

Feature	Base	Std.	Ext.	Base /S	Std. /S	Ext. /S
Libraries and Interface	✓	✓	✓	✓	✓	✓
Schematic Editor				✓	✓	✓
Simulator (Limited)				✓		
Simulator (Unlimited)					✓	✓
EPLD	✓	✓	✓	✓	✓	✓
FPGA up to XC3130	✓			✓		
FPGA 2K, 3K, 4K		✓	✓		✓	✓
Core Implementation	✓	✓	✓	✓	✓	✓
XDE (Design Editor)		✓	✓		✓	✓
Synthesis Tools						✓
X-BLOX			✓			✓
Parallel Download	✓			✓		
XChecker Cable		✓	✓		✓	✓
3K Demoboard	✓	✓	✓	✓	✓	✓
4K Demoboard		✓	✓		✓	✓
Telephone Support	✓	✓	✓	✓	✓	✓
1 Yr Support, Updates		✓	✓	✓	✓	✓

X3233

# Viewlogic – Extended/S System (PC)

## Extended/S System

- Viewdraw Schematic editor with library support for XC2000, XC3000/XC3100, XC4000 FPGAs and XC7200/XC7300 EPLDs
- Viewsim Functional and Timing, and VHDL Simulation (unlimited gates)
- ViewSynthesis- VHDL synthesis with X-BLOX naming integration and synthesis library support for XC2000, XC3000/XC3100, and XC4000 FPGAs
- X-BLOX Architectural Synthesis
- Core implementation software for XC7200/XC7300 EPLDs (DS-550) and FPGAs (DS-502) with device support for all families (XC2000, XC3000/XC3100, and XC4000)
- XC3000 and XC4000 Demonstration Boards
- XChecker Diagnostic Cable

## Support and Updates

- Telephone support, 1-800-255-7778, for first year
- Access to Xilinx bulletin board
- Apps FAX
- Software Updates for one year
- Documentation Updates

## Required System Environment

- Fully compatible PC386/486
- MS-DOS version 5.0 or greater
- Minimum 90 to 110 Mbytes hard-disk space for Xilinx software
- One 3.5" or 5.25" high-density floppy drive
- VGA display
- Three-button serial mouse with driver support of Mouse System Emulation (5-bytes packed binary format). Suggested mice include - *Logitech: C7, C9, Mouseman Combo, Trackman Combo, Mouse Systems: M4, PC Mouse, White Mouse, PC Accessories: Budget 260 Serial*
- One parallel and two serial ports
- 8 Mbytes of RAM for devices up to XC4006
- 16 Mbytes of RAM for XC4008 and above
- Quarterdeck EMM (QEMM-386) provided with system

## Package Features - Viewlogic PC

Feature	Base	Std.	Ext.	Base /S	Std. /S	Ext. /S
Libraries and Interface	✓	✓	✓	✓	✓	✓
Schematic Editor				✓	✓	✓
Simulator (Limited)				✓		
Simulator (Unlimited)					✓	✓
EPLD	✓	✓	✓	✓	✓	✓
FPGA up to XC3130	✓			✓		
FPGA 2K, 3K, 4K		✓	✓		✓	✓
Core Implementation	✓	✓	✓	✓	✓	✓
XDE (Design Editor)		✓	✓		✓	✓
Synthesis Tools						✓
X-BLOX			✓			✓
Parallel Download	✓			✓		
XChecker Cable		✓	✓		✓	✓
3K Demoboard	✓	✓	✓	✓	✓	✓
4K Demoboard		✓	✓		✓	✓
Telephone Support	✓	✓	✓	✓	✓	✓
1 Yr Support, Updates		✓	✓	✓	✓	✓

X3233

## Viewlogic – Standard System (Sun-4)

### Standard System

- Schematic Interface for Viewdraw with library support for XC2000, XC3000/XC3100 and XC4000 FPGAs and XC7200/XC7300 EPLDs
- Functional and Timing Simulation Interface for Viewsim
- Core implementation software for XC7200/XC7300 EPLDs (DS-550) and FPGAs (DS-502) with device support for all families (XC2000, XC3000/XC3100, and XC4000)
- XC3000 and XC4000 Demonstration Boards
- XChecker Diagnostic Cable

### Support and Updates

- Telephone support, 1-800-255-7778, for first year
- Access to Xilinx bulletin board
- Apps FAX
- Software Updates for one year
- Documentation Updates

### Note

- This package does not include Viewdraw schematic capture or Viewsim simulation tools. They must be purchased separately from Viewlogic.
- Interface supports Workview 4.1 and Powerview 5.0 or higher.

### Required System Environment

- Sun-4 running SUN OS 4.1.x
- Graphic monitor (color recommended)
- X-Windows or Open Windows support
- 32 Mbytes of RAM is highly recommended for XC3090, XC3190, XC3195 or XC4000 designs
- Swap space: 50 Mbytes
- TCP/IP software
- Minimum 80 to 100 Mbytes hard-disk space for Xilinx software

### Package Features - Viewlogic Sun-4

Feature	Std.	Ext.
Libraries and Interface	✓	✓
Schematic Editor		
Simulator (Limited)		
Simulator (Unlimited)		
EPLD	✓	✓
FPGA up to XC3130		
FPGA 2K, 3K, 4K	✓	✓
Core Implementation	✓	✓
XDE (Design Editor)	✓	✓
Synthesis Tools		
X-BLOX		✓
Parallel Download		
XChecker Cable	✓	✓
3K Demoboard	✓	✓
4K Demoboard	✓	✓
Telephone Support	✓	✓
1 Yr Support, Updates	✓	✓

X3234

## Viewlogic – Extended System (Sun-4)

### Extended System

- Schematic Interface for Viewdraw with library support for XC2000, XC3000/XC3100 and XC4000 FPGAs and XC7200/XC7300 EPLDs
- Functional and Timing Simulation Interface for Viewsim
- X-BLOX Architectural Synthesis
- Core implementation software for XC7200/XC7300 EPLDs (DS-550) and FPGAs (DS-502) with device support for all families (XC2000, XC3000/XC3100, and XC4000)
- XC3000 and XC4000 Demonstration Boards
- XChecker Diagnostic Cable

### Support and Updates

- Telephone support, 1-800-255-7778, for first year
- Access to Xilinx bulletin board
- Apps FAX
- Software Updates for one year
- Documentation Updates

### Note

- This package does not include Viewdraw schematic capture or Viewsim simulation tools. They must be purchased separately from Viewlogic.
- Interface supports Workview 4.1 and Powerview 5.0 or higher.

### Required System Environment

- Sun-4 running SUN OS 4.1.x
- Graphical monitor (color recommended)
- X-Windows or Open Windows support
- 32 Mbytes of RAM is highly recommended for XC3090, XC3190, XC3195 or XC4000 designs
- Swap space: 50 Mbytes
- TCP/IP software
- Minimum 80 to 100 Mbytes hard-disk space for Xilinx software

### Package Features - Viewlogic Sun-4

Feature	Std.	Ext.
Libraries and Interface	✓	✓
Schematic Editor		
Simulator (Limited)		
Simulator (Unlimited)		
EPLD	✓	✓
FPGA up to XC3130		
FPGA 2K, 3K, 4K	✓	✓
Core Implementation	✓	✓
XDE (Design Editor)	✓	✓
Synthesis Tools		
X-BLOX		✓
Parallel Download		
XChecker Cable	✓	✓
3K Demoboard	✓	✓
4K Demoboard	✓	✓
Telephone Support	✓	✓
1 Yr Support, Updates	✓	✓

X3234

## Mentor V8 – Standard System (Sun-4)

### Standard System

- Mentor V8 Interface (Mentor Design Architect/ QuickSim II Libraries and Interface)
- Core implementation software for FPGAs (DS-502) with device support for all families (XC2000, XC3000/XC3100, and XC4000)
- XC3000 and XC4000 Demonstration Boards
- XChecker Diagnostic Cable

### Support and Updates

- Telephone support, 1-800-255-7778, for first year
- Access to Xilinx bulletin board
- Apps FAX
- Software Updates for one year
- Documentation Updates

### Notes

- This package does not include Design Architect schematic capture, or QuickSim II simulation tools. Contact your local Mentor Graphics sales office to purchase these tools.
- Auto Logic synthesis program, libraries and interface are available from Mentor Graphics.

### Required System Environment

#### Sun-4 SparcStation Series

- SUN OS 4.1X
- Mentor Graphics Version 8
- 50 to 200 Mbytes disk space allocated for Xilinx designs
- 32 Mbytes of RAM
- Color Monitor
- X11 R4 Windows Support
- Open Windows 2.0
- Swap Space: Min 125 Mbytes
- TCP/IP Software

### Recommended Hardware

- All of above plus maximum RAM for SparcStation

### Package Features - Mentor Sun-4

Feature	Std.	Ext.
Libraries and Interface	✓	✓
Schematic Editor		
Simulator (Limited)		
Simulator (Unlimited)		
EPLD		
FPGA up to XC3130		
FPGA 2K, 3K, 4K	✓	✓
Core Implementation	✓	✓
XDE (Design Editor)	✓	✓
Synthesis Tools		
X-BLOX		✓
Parallel Download		
XChecker Cable	✓	✓
3K Demoboard	✓	✓
4K Demoboard	✓	✓
Telephone Support	✓	✓
1 Yr Support, Updates	✓	✓

X3235

# Mentor V8 – Extended System (Sun-4)

## Extended System

- Mentor V8 Interface (Mentor Design Architect/ QuickSim II Libraries and Interface)
- Core implementation software for FPGAs (DS-502) with device support for all families (XC2000, XC3000/XC3100, and XC4000)
- X-BLOX Architectural Synthesis
- XC3000 and XC4000 Demonstration Boards
- XChecker Diagnostic Cable

## Support and Updates

- Telephone support, 1-800-255-7778, for first year
- Access to Xilinx bulletin board
- Apps FAX
- Software Updates for one year
- Documentation Updates

## Notes

- This package does not include Design Architect schematic capture, or QuickSim II simulation tools. Contact your local Mentor Graphics sales office to purchase these tools.
- Auto Logic synthesis program, libraries and interface are available from Mentor Graphics

## Required System Environment

### Sun-4 SparcStation Series

- SUN OS 4.1X
- 50 to 200 Mbytes of disk space allocated for Xilinx designs
- 32 Mbytes of RAM
- Color Monitor
- X11 R4 Windows Support
- Open Windows 2.0
- Swap Space: 125 Mbytes minimum
- TCP/IP Software

## Recommended Hardware

- All of above plus maximum RAM for SparcStation

## Package Features - Mentor Sun-4

Feature	Std.	Ext.
Libraries and Interface	✓	✓
Schematic Editor		
Simulator (Limited)		
Simulator (Unlimited)		
EPLD		
FPGA up to XC3130		
FPGA 2K, 3K, 4K	✓	✓
Core Implementation	✓	✓
XDE (Design Editor)	✓	✓
Synthesis Tools		
X-BLOX		✓
Parallel Download		
XChecker Cable	✓	✓
3K Demoboard	✓	✓
4K Demoboard	✓	✓
Telephone Support	✓	✓
1 Yr Support, Updates	✓	✓

X3235

## Mentor V8 – Standard System (HP700 Series)

### Standard System

- Mentor V8 Interface (Mentor Design Architect/QuickSim II Libraries and Interface)
- Core implementation software for FPGAs (DS-502) with device support for all families (XC2000, XC3000/XC3100, and XC4000)
- XC3000 and XC4000 Demonstration Boards
- XChecker Diagnostic Cable

### Support and Updates

- Telephone support, 1-800-255-7778, for first year
- Access to Xilinx bulletin board
- Apps FAX
- Software Updates for one year
- Documentation Updates

### Notes

- This package does not include Design Architect schematic capture, or QuickSim II simulation tools. Contact your local Mentor Graphics sales office to purchase these tools.
- Auto Logic synthesis program, libraries and interface are available from Mentor Graphics.

### Required System Environment

#### HP700 Series

- HPUX 8.07
- 50 to 150 Mbytes of hard-disk space allocated for Xilinx designs
- 32 Mbytes of RAM
- Color Monitor
- X11 R4 Windows Support
- HP-VUE 2.01
- Swap Space: 140 Mbytes minimum
- TCP/IP Software

### Recommended Hardware

- All of above plus maximum RAM for HP700

### Package Features - Mentor Sun-4

Feature	Std.	Ext.
Libraries and Interface	✓	✓
Schematic Editor		
Simulator (Limited)		
Simulator (Unlimited)		
EPLD		
FPGA up to XC3130		
FPGA 2K, 3K, 4K	✓	✓
Core Implementation	✓	✓
XDE (Design Editor)	✓	✓
Synthesis Tools		
X-BLOX		✓
Parallel Download		
XChecker Cable	✓	✓
3K Demoboard	✓	✓
4K Demoboard	✓	✓
Telephone Support	✓	✓
1 Yr Support, Updates	✓	✓

X3235



# Mentor V8 – Extended System (HP700 Series)

## Extended System

- Mentor V8 Interface (Mentor Design Architect/ QuickSim II Libraries and Interface)
- Core implementation software for FPGAs (DS-502) with device support for all families (XC2000, XC3000/XC3100, and XC4000)
- X-BLOX Architectural Synthesis
- XC3000 and XC4000 Demonstration Boards
- XChecker Diagnostic Cable

## Support and Updates

- Telephone support, 1-800-255-7778, for first year
- Access to Xilinx bulletin board
- Apps FAX
- Software Updates for one year
- Documentation Updates

## Notes

- This package does not include Design Architect schematic capture, or QuickSim II simulation tools. Contact your local Mentor Graphics sales office to purchase these tools.
- Auto Logic synthesis program, libraries and interface are available from Mentor Graphics.

## Required System Environment

### HP700 Series

- HPUX 8.07
- 50 to 150 Mbytes hard-disk space allocated for Xilinx designs
- 32 Mbytes of RAM
- Color Monitor
- X11 R4 Windows Support
- HP-VUE 2.01
- Swap Space: 140 Mbytes minimum
- TCP/IP Software

## Recommended Hardware

- All of above plus maximum RAM for HP700

## Package Features - Mentor Sun-4

Feature	Std.	Ext.
Libraries and Interface	✓	✓
Schematic Editor		
Simulator (Limited)		
Simulator (Unlimited)		
EPLD		
FPGA up to XC3130		
FPGA 2K, 3K, 4K	✓	✓
Core Implementation	✓	✓
XDE (Design Editor)	✓	✓
Synthesis Tools		
X-BLOX		✓
Parallel Download		
XChecker Cable	✓	✓
3K Demoboard	✓	✓
4K Demoboard	✓	✓
Telephone Support	✓	✓
1 Yr Support, Updates	✓	✓

X3235





# Individual Product Descriptions

---

## *Table of Contents*

XACT Development System – DS502 .....	7-30
XEPLD Translator for EPLDs – DS550 .....	7-31
Schematic and Simulator Interfaces .....	7-32
X-BLOX Architectural Synthesis – DS380 .....	7-33
Xilinx ABEL Design Entry – DS-371 .....	7-34
Synopsys Interface – DS401 .....	7-35
Parallel Download and XChecker Cables .....	7-36
Demonstration Boards .....	7-37

# XACT Development System – DS-502

## Description

The XACT Development System contains leading-edge, automatic tools that determine optimal partitioning, placement, and routing for a design. It includes options for the user to control the activity of the automated tools at several levels. Designers often need this capability for demanding applications. User-controlled partitioning, placement, and routing information can be specified right on the schematic or in a text file.

The XACT Development System supports iterative and incremental design techniques. If minor changes are required to a completed design, a special “guide” option permits a proven version of a design to be used as a guide to implementing a new version. Where the two designs match, the newer design mimics the old one exactly, preserving its placement and timing characteristics. Since the majority of the initial design is preserved, previous verification results are still valid. Typically, minor changes can be implemented and verified in a few minutes. The same option supports the iterative construction of a large design.

## Highlights

- The XACT Development System takes output from the design entry step, processes the design (including partitioning, placement and routing), then creates a bitstream that can be downloaded to a Xilinx FPGA.
- The XACT Development System may be used on PC, Sun-4 (Sparc), HP/700 platforms
- The XACT Design Manager (XDM) provides a framework and user interface for the entire design process. XDM organizes the various design tools and utility programs for implementing FPGA designs into convenient pull-down menus. On-line help facilities provide a short explanation of each command and its options.
- XDM supports push-button design. With one command, the software automatically translates a design from the schematic to a bitstream that can be downloaded to an FPGA.

## Interactive Design Editor

The automated tools are complemented by an interactive design editor that allows the user to view and directly manipulate a model of the actual logic and routing resources inside the FPGA device. The XACT Design Editor gives the user visibility into the implementation of the design, enabling the designer to make intelligent choices when improving the circuit’s implementation or experimenting with different approaches.

## Extensive Third-Party Support

Xilinx supports and is supported by more third-party software interfaces than any other FPGA company. The Xilinx Alliance Program facilitates the development and certification of such interfaces. Designers can choose from a wide variety of design tools ranging from schematic entry and/or simulation (Viewlogic, Mentor, OrCAD) to synthesis (Synopsys, Mentor Autologic, ViewSynthesis, X-BLOX) and equation-based entry (Xilinx-ABEL).

## XACT-Performance

XACT-Performance is an industry-first that permits the user to specify exact performance requirements for a design at the schematic level. This feature accepts performance requirements entered at the schematic level, then partitions, places and routes the design to meet those performance requirements.

The Xilinx Design Manager organizes and simplifies the entire 3-step process. Designs are entered using a schematic editor and its associated Xilinx library of soft and hard macros. Boolean equations and state machine languages can be used along with schematics to describe the design. After completing design entry, the user runs the XMake program. Given a top-level schematic, XMake automatically determines the design hierarchy, partitions, places and routes the logic, and then generates a bitstream. Once compiled, the design can be simulated and downloaded to the target system for verification.

The DS-502 is the core design implementation product for Xilinx FPGAs. It contains the software that partitions, places and routes Xilinx designs. Some key product features are shown below.

DS-502 Features	XC2000/ XC3000/XC3100	
	XC2000	XC4000
Push-Button Design	X	X
Interactive Design	X	X
Iterative/Incremental Design	X	4Q'93
Partitioning Control	X	X
Placement Control	X	X
Routing Control	X	X
Path Timing Analysis	X	X
Hard Macros		X
Soft Macros	X	X
Automatic Deletion of Unused Logic	X	X
XACT-Performance	4Q'93	X

---

## XEPLD Translator for EPLDs – DS-550

### Features

- Reads EDIF 2.0.0 netlist files for designs entered using a supported schematic capture tool
- Reads PALASM-2 or PLUSASM Boolean-equation files and JEDEC PLD fuse map files for designs entered using a behavioral compiler tool
- Reads and assembles PLUSASM equation files allowing complete EPLD design entry without a front-end tool
- Includes logic minimizing, partitioning and optimizing algorithms for efficient mapping
- Generates bit-map files for EPLD device programming
- Generates Pinlist report, Resource report, and Mapping report for design verification
- Generates models of completed designs for simulation using a supported simulator
- Converts netlist or equation file to fuse map in about one minute on a '486 PC
- Runs on a '386 or 486 (or compatible) PC under DOS or on Sun-4 SparcStation

### General

The translator reads Boolean equations and netlists. It supports PAL design conversion by reading PALASM-2-syntax or PLUSASM Boolean-equation files generated by third-party compilers such as ABEL and CUPL. The translator also reads PLUSASM-syntax files created with an ASCII text editor. For designs entered using a schematic capture tool, such as Workview or OrCAD, the translator reads netlist files generated by the CAE tool. Xilinx provides a library of components used to express schematic designs.

EPLD device logic and I/O pin resources are automatically allocated and interconnected by the integrator, requiring no intervention by the designer. If desired, the user can indicate preferred or required pin positions for selected I/O signals.

## Schematic and Simulator Interfaces

Interfaces and libraries for several popular schematic editors and timing simulators are available as individual products, for users that already own the editor and simulator tools. Xilinx-specific versions of the Viewlogic Viewdraw schematic editor and Viewsim simulator can be purchased directly from Xilinx.

The available products are as follows:

DS-390 Viewdraw schematic editor with Xilinx libraries and interface

DS-290 Viewsim simulator with Xilinx interface

DS-391 Libraries and interfaces for Viewlogic's Workview, ProSeries, Workview PLUS and Powerview entry and simulation tools (PC and Sun-4)

DS-344 Libraries and interfaces for Mentor Graphics V8 Design Architect schematic editor and QuickSim II simulator (HP and Sun-4)

DS-343 Libraries and interfaces for Mentor Graphics V7 NetEd schematic editor and QuickSim simulator (HP)

DS-35 Libraries and interfaces for OrCAD STD and STD 386+ schematic editors and VST and VST 386+ simulators (PC)

### Features

- Complete set of primitive and macro libraries for all FPGA and EPLD products
- Supports unlimited levels of hierarchy
- Converts schematic drawings to Xilinx Netlist Format (XNF) output
- Converts XNF files to format compatible with logic and timing simulator
- Full simulation models provide for accurate post-layout timing analysis
- Includes one year of support and updates

---

# X-BLOX Architectural Synthesis – DS-380

## Easy Design

Instead of entering designs tediously at the gate or SSI/MSI macro level, the user can input them as block diagrams, using X-BLOX software and a familiar schematic editor. Using built-in expert knowledge, X-BLOX software automatically optimizes the design to take full advantage of the unique features of the Xilinx XC4000 FPGA family.

The benefits of designing with X-BLOX software are immediate and dramatic.

- Shorter design time
- Higher performance
- Maximized chip utilization

## Features

- Schematic library with more than 30 frequently used generic modules (adders, counters, decoders, registers, MUXes, etc.)
- Works with many Schematic Entry Interfaces (Viewlogic, Mentor, OrCAD and others)
- Expert system that automatically utilizes the advanced features of the XC4000 family

## Support and Updates

- Software Updates for one year
- Documentation Updates
- Telephone support, 1-800-255-7778, for six months
- Access to Xilinx bulletin board
- Apps FAX

## Note

- XC3000A/XC3100A families will be supported 4th Qtr. '93

## Additional Hardware Requirement

- 5 Mbytes hard-disk space for program and design files

## Xilinx ABEL Design Entry – DS-371

The Xilinx ABEL system gives designers the ability to enter Xilinx designs using the industry standard ABEL Hardware Description Language (ABEL-HDL). Designers can describe circuits with Boolean equations, state machines and truth tables. State machine and logic optimization software automatically generates efficient logic for Xilinx devices.

Many designs contain portions of logic that are best described in a text-based format; some designs can be completely described in this way. In the Xilinx ABEL system, Xilinx designs can be created with Boolean equations, state machines, and truth tables. The ABEL HDL makes designing quick and simple. Intelligent state machine and logic optimization software automatically creates efficient, fast state machines. The ABEL simulator allows functional simulation of ABEL-HDL designs.

While designs may be entered entirely with ABEL-HDL, you can also use Xilinx ABEL in conjunction with a schematic editor to take optimal advantage of the Xilinx architecture. The recommended design flow is to enter designs schematically with functional blocks that reference logic described in ABEL-HDL. From inside the Xilinx ABEL environment, designers create and compile the logic in these functional blocks. The Xilinx XMake program then compiles the complete design to a bitstream that can be downloaded to a Xilinx device. XMake automatically calls the software that merges the various design files (schematics and ABEL-HDL), partitions, places and routes the design and creates the final bitstream. The design can then be verified with a simulator and a timing analyzer, as well as verified in-circuit.

### One-Hot Encoding

For the flop-flop rich, fan-in limited Xilinx FPGA architecture, One-Hot Encoding (OHE) is the preferred technique for implementing high-performance state machines. OHE is also known as State-per-Bit encoding

since it uses one flip-flop per state. OHE takes advantage of the abundance of flip-flops in Xilinx FPGAs to reduce the levels of logic required to implement a state machine. This implementation significantly increases performance over fully encoded state machines, the traditional technique used in PLDs. Xilinx ABEL automatically uses OHE on symbolic state machines created in ABEL-HDL for FPGAs.

### Features

- State Machine and Boolean equation entry via Data I/O ABEL language
- ABEL Functional Simulator
- Xilinx-specific ABEL environment, compiler, and optimizer for FPGAs (XC2000, XC3000, XC4000) and EPLDs (XC7000)
- Automatic symbolic One-Hot Encoding or fully encoded state-machine implementation
- Ability to integrate ABEL designs with other schematic elements

### Support and Updates

- Software updates for one year
- Documentation updates
- Telephone support, 1-800-255-7778, for first six months
- Access to Xilinx bulletin board
- Apps FAX

### Additional Hardware Requirements

- 5 Mbytes hard-disk space for program and design files



---

## Synopsys Interface – DS-401

This interface-only product supports Synopsys VHDL and Verilog/HDL synthesis. This package does not include the Synopsys HDL Compiler; this must be purchased separately from Synopsys. This product does not support the Synopsys VHDL System Simulator, gate-level simulation, or the Test Compiler.

### Features

- XC3000/XC3100 and XC4000 synthesis library
- Translator from Synopsys to Xilinx XNF
- Ability to integrate models with other design entry methods
- Available for Sun-4, HP700, and HP400 platforms
- Support and updates for one year

## Parallel Download and XChecker Cables

The parallel download or XChecker cable is included in each of the bundled packages and in the DS-502 Core Implementation product. Additional cables may be purchased; contact the nearest Xilinx sales office.

Parallel download Cable package includes the following.

- Download cable
- Flying wire jumper
- Flat header jumper

### Parallel Download Cable Features

- Provides bitstream and PROM file download capability
- Works with parallel ports on IBM '386/486 and compatibles
- Compatible with XChecker diagnostics software and the XACT Probe utility
- Flying wire and flat header jumpers provide easy access during prototyping

XChecker Cable package includes the following.

- XChecker cable
- Flying wire jumper
- Flat header jumper
- XChecker diagnostics test fixture

### XChecker Cable Features

- Provides bitstream and PROM file download capability
- Provides readback capability
- Works with serial ports on IBM '386/486 and compatibles
- Works with serial ports on Sun and HP/Apollo workstations
- Compatible with XChecker diagnostics software and the XACT Probe utility
- Flying wire and flat header jumpers provide easy access during prototyping

---

## Demonstration Boards

These demonstration boards are included in the bundled packages, as applicable, and can be ordered individually. Contact your nearest Xilinx sales office.

### XC3000/XC3100 Demo Board Features

- XC3020 in 68-pin PLCC package
- 7-segment display
- 8 dip switches for inputs to LCA devices
- Test pins for access to all I/Os
- Program and Reset momentary contact switches
- Operates from a 5 V power supply
- Compatible with XChecker and Parallel Download Cables
- Supports Master Serial configuration mode for interface to Xilinx serial PROMs
- Socket can be used for any XC3000/XC3100 device in a 68-pin PLCC package

### XC4000 Demo Board Features

- XC4003 in 84-pin PLCC package
- Two 7-segment displays
- One 8-segment bar display
- 8 dip switches for inputs to LCA devices
- Test pins for access to all I/Os
- Program and Reset and Spare momentary contact switches
- Operates from a 5 V power supply
- Compatible with XChecker and Parallel Download Cables
- Supports Master Serial configuration mode for interface to Xilinx serial PROMs
- Provides sockets for up to three daisy-chained Serial PROMs
- Socket can be used for any XC4000 device in an 84-pin PLCC package




- 1 Programmable Logic Devices**
- 2 FPGA Product Descriptions and Specifications**
- 3 EPLD Product Descriptions and Specifications**
- 4 Packages and Thermal Characteristics**
- 5 Quality, Testing and Reliability**
- 6 Technical Support**
- 7 Development Systems**

## **8 *Applications***

- 9 The Best of XCELL**
  - 10 Index, Sales Offices**
-

XAPP 000.002	Application Note Directory.....	8-1
XAPP 024.000	Additional XC3000/XC3100 Data.....	8-6
XAPP 011.001	LCA Speed Estimation: Asking the Right Question.....	8-16
XAPP 015.000	Using the XC4000 Readback Capability .....	8-17
XAPP 017.002	Boundary Scan in XC4000 Devices.....	8-25
XAPP 033.000	Implementing Logic in the Universal Interconnect Matrix.....	8-34
XAPP 041.001	Comparison of XC3000 Counter Designs .....	8-36
XAPP 001.002	High-Speed Synchronous Prescaler Counter .....	8-39
XAPP 002.002	Simple Loadable Up/Down Counter.....	8-42
XAPP 003.002	Synchronous Presettable Counter .....	8-44
XAPP 004.002	Loadable Binary Counters.....	8-47
XAPP 014.001	Ultra-Fast Synchronous Counters.....	8-52
XAPP 023.001	Accelerating Loadable Counters in XC4000 .....	8-56
XAPP 034.001	Complex Full-Featured Counters Run at 40 MHz .....	8-60
XAPP 038.001	High Performance Counters Using Xilinx EPLDs with ABEL-HDL.....	8-62
XAPP 040.001	High-Speed Custom Length Binary Counters .....	8-69
XAPP 022.000	Adders, Subtractors and Accumulators in XC3000.....	8-72
XAPP 013.001	Using the Dedicated Carry Logic in XC4000.....	8-79
XAPP 018.000	Estimating the Performance of XC4000 Adders and Counters .....	8-90
XAPP 032.001	Calculating XC7200 Arithmetic Performance .....	8-93
XAPP 039.001	18-Bit Pipeline Accumulator .....	8-95
XAPP 005.002	Register-Based FIFO .....	8-96
XAPP 031.000	Using the XC4000 RAM Capability .....	8-101
XAPP 006.002	64 x n-Bit RAM-Based FIFO .....	8-113
XAPP 026.001	Multiplexers and Barrel Shifters in XC3000/XC32100 .....	8-116
XAPP 027.001	Implementing State Machines in LCA Devices .....	8-122
XAPP 028.001	Frequency/Phase Comparator for Phase-Locked Loops .....	8-127
XAPP 029.000	Serial Code Conversion between BCD and Binary.....	8-129
XAPP 030.000	Megabit FIFO in Two Chips: One LCA Device and One DRAM.....	8-132
XAPP 007.001	Boundary-Scan Emulator for XC3000.....	8-136
XAPP 008.002	Complex Digital Generator.....	8-143
XAPP 009.000	Harmonic Frequency Synthesizer and FSK Modulator.....	8-145
XAPP 010.001	Bus-Structured Serial Input/Output Device .....	8-149
XAPP 012.001	Light-Driven Counter Controller .....	8-151
XAPP 036.001	Four-Port DRAM Controller Operates at 60 MHz.....	8-154
XAPP 035.001	Digital Mixer in an XC7272.....	8-157
XAPP 037.000	Designing Complex 2-Dimensional Convolution Filters .....	8-158

XAPP 000.002 

## General

Page

### **Additional XC3000/XC3100 Data—XAPP 024.000**

8-6

This Application Note contains additional information that may be of use when designing with the XC3000 class of LCA devices. This information supplements the data sheets, and is provided for guidance only.

### **LCA Speed Estimation: Asking the Right Question—XAPP 011.001**

8-16

A simple algorithm is described for determining the depth of logic, in CLBs, that can be supported at a given clock frequency. The algorithm is suitable for XC3000/XC3100 or XC4000 LCA devices.

### **Using the XC4000 Readback Capability—XAPP 015.000**

8-17

This Application Note describes the XC4000 Readback capability and its use. Topics include: initialization of the Readback feature, format of the configuration and Readback bitstreams, timing considerations, software support for reading back LCA devices, and Cyclic Redundancy Check (CRC).

### **Boundary Scan in XC4000 Devices—XAPP 017.002**

8-25

XC4000 LCA devices contain boundary scan facilities that are compatible with IEEE Standard 1149.1. This Application Note describes those facilities in detail, and explains how boundary scan is incorporated into an LCA design.

### **Implementing Logic in the Universal Interconnect Matrix—XAPP 033.000**

8-34

This Application Note describes how to implement logic functions using the AND capability of the Universal Interconnect Matrix.

## Counters

### **Comparison of XC3000 Counter Designs—XAPP 0041.001**

8-36

This Application Note discusses the functional, performance and density characteristics of the various counter designs available for the XC3000. Differences in these characteristics must be taken into account when choosing the most appropriate design.

### **High-Speed Synchronous Prescaler Counter—XAPP 001.002**

8-39

Borrowing the concept of Count-Enable Trickle/Count-Enable Parallel that was pioneered in the popular 74161 TTL-MSI counter, a fast non-loadable synchronous binary counter of arbitrary length can be implemented efficiently in XC3000-series LCA devices. For best partitioning into CLBs, the counter is segmented into a series of tri-bits. Design files are available for 8, 10, 12, 16, 20 and 24-bit versions of this counter.

Length	8	16 Bits
Maximum Clock Frequency XC3100-3	173	107 MHz
Number of CLBs	5	14

### **Simple Loadable Up/Down Counter—XAPP 002.002**

8-42

The 5-input function generator of the XC3000 family CLB makes it possible to build fully synchronous, loadable up/down counters of arbitrary length. These use only one CLB per bit, and the ripple carry delay is only  $1/2 T_{ILO}$  per bit. Design files are available for 8, 10, 12, 16, 20 and 24-bit versions of this counter. A 16-bit higher performance version is also available.

Length	16 Bits
Maximum Clock Frequency XC3100-3	41 MHz
Number of CLBs	17

### Synchronous Presettable Counter—XAPP 003.002

8-44

Presettable synchronous counters are implemented, where the carry path utilizes parallel gating to replace the serial gating found in ripple-carry counters. The result is fewer CLB delays in the critical path, but more CLBs are used and the routing is less regular. Design files are available for 8, 10, 12, 16, 20 and 24-bit versions of this counter.

Length	8	16 Bits
Maximum Clock Frequency XC3100-3	63	48 MHz
Number of CLBs	9	20

### Loadable Binary Counters—XAPP 004.002

8-47

The design strategies for loadable and non-loadable binary counters are significantly different. This application note discusses the differences, and describes the design of a loadable binary counter. Up, down and up/down counters are described, with lengths of 16 and 32 bits. Design files are available for all six versions.

Length	16 Bits
Maximum Clock Frequency XC3100-3	54 MHz
Number of CLBs	23

### Ultra-Fast Synchronous Counters—XAPP 014.001

8-52

This fully synchronous, non-loadable, binary counter uses a traditional prescaler technique to achieve high performance. Typically, the speed of a synchronous prescaler counter is limited by the delay incurred distributing the parallel Count Enable. This design minimizes that delay by replicating the LSB of the counter. In this way even the small Longline delay is eliminated, resulting in the fastest possible synchronous counter.

	XC4000 (-5)	XC3100 (-3)	XC3000 (-125)	
Counter Length	16	16	16	Bits
Maximum Clock Frequency	111	204	95	MHz
Number of CLBs	17	24	24	

### Accelerating Loadable Counters in XC4000—XAPP 0023.001

8-56

The XC4000 dedicated carry logic provides for very compact, high-performance counters. This Application Note describes a technique for increasing the performance of these counters using minimum additional logic. Using this technique, the counters remain loadable.

### Complex Full-Featured Counters Run at 40 MHz—XAPP 0034.001

8-60

This Application Note illustrates the implementation of long high-speed counters in Xilinx EPLDs. The Universal Interconnect Matrix eliminates the speed degradation usually associated with increasing counter length.

### High Performance Counters Using Xilinx EPLDs with ABEL-HDL—XAPP 0038.001

8-62

Xilinx EPLDs are capable of implementing counters that operate at the maximum device frequency. This Application Note explains how ABEL-HDL can be used to implement such counters.

### High-Speed Custom Length Binary Counters—XAPP 040.001

8-69

This Application Note describes how to use Xilinx EPLDs for high-speed, binary counters that run at the full rated speed of the device. These area-efficient, custom-length counters use standard 4- and 8-bit library components.



## Counter Performance Summary

	Loadable	Up	Down	Up/ Down	8-Bit		10-Bit		12-Bit		16-Bit		20-Bit		24-Bit		32-Bit		
					MHz	CLBs	MHz	CLBs	MHz	CLBs	MHz	CLBs	MHz	CLBs	MHz	CLBs	MHz	CLBs	MHz
<b>XC3100-3</b>																			
XAPP 001		•			173	5	116	8	108	9	107	14	103	17	103	21			
XAPP 002	•	•	•	•	47	8	38	10	37	12	29	16	22	20	22	24			
XAAP 002	•	•	•	•							41	17							
XAPP 003	•	•	•	•	63	9			52	15	48	20							
XAPP 004		•	•								54	23					37	49	
XAPP 004				•							46	27					37	56	
XAPP 014		•									204*	24							
<b>XC3000-125</b>																			
XAPP 001		•			81	5	60	8	56	9	57	14	55	17	55	21			
XAPP 002	•	•	•	•	26	8	21	10	21	12	17	16	13	20	11	24			
XAPP 002	•	•	•	•							24	17							
XAPP 003	•	•	•	•	33	9			29	15	26	20							
XAPP 004		•	•								30	23					21	49	
XAPP 004				•							25	27					20	56	
XAPP 014		•									95*	24							
<b>XC4000-5</b>																			
XAPP 014		•									111*	17							

\* Estimated

X3200

## Arithmetic Functions

**Adders, Subtracters and Accumulators in XC3000—XAPP 022.000**

8-72

This Application Note surveys the different adder techniques that are available for XC3000 designs. Examples are shown, and a speed/size comparison is made.

**Using the Dedicated Carry Logic in XC4000—XAPP 013.001**

8-79

This Application Note describes the operation of the XC4000 dedicated carry logic, the standard configurations provided for its use, and how these are combined into arithmetic functions and counters.

**Estimating the Performance of XC4000 Adders and Counters—XAPP 018.000**

8-90

Using the XC4000 dedicated carry logic, the performance of adders and counters can easily be predicted. This Application Note provides formulae for estimating the performance of such adders and counters.

**Calculating XC7200 Arithmetic Performance—XAPP 032.001**

8-93

This Application Note describes how to estimate the performance of arithmetic circuits that are implemented using the XC7200 dedicated carry circuitry.

**18-Bit Pipelined Accumulator—XAPP 039.001**

8-95

This Application Note describes a pipelining technique that significantly improves the throughput of an accumulator.


## Special Purpose Memory


**Register-based FIFO—XAPP 005.002**

8-96

While XC3000-series LCA devices do not provide RAM, it is possible to construct small register-based FIFOs. A basic synchronous FIFO requires one CLB for each two bits of FIFO capacity, plus one CLB for each word in the FIFO. Optional asynchronous input and output circuits are provided. Design files are available for two implementations of this design. The fastest of the two implementations uses a constraints file to achieve better placement.

Size	8 x 8 Bits
Maximum Clock Frequency XC3100-3	42 MHz
Number of CLBs	40

**Using the XC4000 RAM Capability—XAPP 031.000**  **8-101**  
 The XC4000 family of LCA devices permits CLB look-up tables to be configured as user RAM. This Application Note provides background information for users of the feature, and discusses a variety of applications.

**64 x n-Bit RAM-based FIFO—XAPP 006.002**  **8-113**  
 For a 64 x 8-bit FIFO, 256 bits of RAM are implemented within an LCA device. An innovative address counter scheme, using the high-performance dedicated carry logic, converts this into a simple FIFO. The address controller hard macro available for this design may be used for 32 or 64-word FIFOs of any width.

FIFO size	64 x 8 Bits
Maximum Clock Rate (-5)	50 MHz
Maximum PUSH Rate	12.5 MHz
Maximum POP Rate	12.5 MHz
Number of CLBs	30

## Miscellaneous Applications

**Multiplexers and Barrel Shifters in XC3000/XC3100—XAPP 026.001** **8-116**  
 This Application Note provides guidance for implementing high performance multiplexers and barrel shifters in XC3000 LCA devices.

**Implementing State Machines in LCA Devices—XAPP 027.001** **8-122**  
 This Application Note discusses various approaches that are available for implementing state machines in LCA devices. In particular, the one-hot-encoding scheme for medium-sized state machines is discussed.

**Frequency/Phase Comparator for Phase-Locked Loops—XAPP 028.001** **8-127**  
 The phase comparator described in this Application Note permits phase-locked loops to be constructed using LCA devices that only require an external voltage-controlled oscillator and integrating amplifier.

**Serial Code Conversion between BCD and Binary—XAPP 029.000** **8-129**  
 Binary-to-BCD and BCD-to-binary conversions are performed between serial binary values and parallel BCD values.

**Megabit FIFO in Two Chips: One LCA Device and One DRAM—XAPP 030.000** **8-132**  
 This Application Note describes the use of an LCA device as an address controller that permits a standard DRAM to be used as deep FIFO.

**Boundary Scan Emulator for XC3000—XAPP 007.001** **8-136**  
 CLBs are used to emulate IEEE1149.1/JTAG Boundary Scan. The LCA device is configured to test the board interconnect, and then reconfigured for operation.

Tests Supported	EXTEST
Number of CLBs	11 Core Logic
	1/2 to 1-1/2 per IOB
	1 per 3-State Control

**Complex Digital Waveform Generator—XAPP 008.002** **8-143**  
 Complex digital waveforms are generated without the need for complex decoding. Instead, fast loadable counters are used to time individual High and Low periods.

Minimum High/Low Time	44 ns
Maximum High/Low Time	>250 $\mu$ s
Resolution	4 ns
Number of Highs and Lows	32
Number of CLBs	40

**Harmonic Frequency Synthesizer and FSK Modulator—XAPP 009.000** 

**8-145**

**Harmonic Frequency Synthesizer**

Uses an accumulator technique to generate frequencies that are evenly spaced harmonics of some minimum frequency. Extensive pipelining is employed to permit high clock rates.

**FSK Modulator**

A modification of the Harmonic Frequency Synthesizer that automatically switches between two frequencies in accordance with an NRZ input.

Harmonic Frequency Synthesizer	
Maximum Output Frequency	67 MHz
Minimum Output Frequency	1 Hz
Frequency Spacing	1 Hz
Clock Frequency	67 MHz
Number of Bits	26
Number of CLBs	52

**FSK Modulator**

Operating Frequencies	10/11 MHz
Jitter	±8 ns
Clock Frequency	64 MHz
Number of CLBs	10

**Bus-Structured Serial Input/Output Device—XAPP 010.001**

**8-149**

Simple shift registers are used to illustrate how 3-state busses may be used within an LCA device. Dedicated wide decoders are used to decode an I/O address range and enable the internal registers.

Bus Width	16 Bits
Maximum Bus Speed	40 MHz
Number of Serial Channels	12
Maximum Serial Speed	60 MHz
Number of CLBs	96

**Light-Driven Counter Controller—XAPP 012.001**

**8-151**

A simple state machine is used to adapt the output of two photo-cells to control an up/down counter. The state machine provides hysteresis for counting parts correctly, regardless of changes in direction.

Maximum Clock Frequency	~150 MHz
Number of CLBs	2

**Four-Port DRAM Controller Operates at 60 MHz—XAPP 036.001**

**8-154**

This Application Note describes a high-performance DRAM controller implemented in a single Xilinx EPLD.

**Digital Mixer in an XC7272—XAPP 035.001**

**8-157**

This Application Note describes a simple mixer that operates at video rates, and provides 9 levels of mixing.

**Designing Complex 2-Dimensional Convolution Filters—XAPP 037.000**

**8-158**

This Application Note shows how to design complex 2-dimensional filters for digital image processing systems. The XC7200/XC7300 dedicated carry logic is used to perform the complex arithmetic functions.

## Summary

This Application Note contains additional information that may be of use when designing with the XC3000 class of LCA devices. This information supplements the data sheets, and is provided for guidance only.

## Xilinx Family

XC3000/XC3000A/XC3000L/XC3100

---

## Introduction

The background information provided in this Application Note supplements the XC3000, XC3000A, XC3000L and XC3100 data sheets. It covers a wide range of topics, including a number of electrical parameters not specified in the data sheets, and unless otherwise noted, applies to all four families. These additional parameters are sufficiently accurate for most design purposes; unlike the parameters specified in the data sheets, however, they are not worst-case values over temperature and voltage, and are not 100% production tested. They can, therefore, not be guaranteed.

## Configurable Logic Blocks

The XC3000/XC3100 CLB, shown in Figure 1, comprises a combinatorial function generator and two D-type flip-flops. Two output pins may be driven by either the function generators or the flip-flops. The flip-flop outputs may be routed directly back to the function generator inputs without going outside of the CLB.

The function generator consists of two 4-input look-up tables that may be used separately or combined into a single function. Figure 2 shows the three available options. Since the CLB only has five inputs to the function generator, inputs must be shared between the two look-up tables.

In the FG mode, the function generator provides any two 4-input functions of A, B and C plus D or E; the choice between D and E is made separately for each function. In the F mode, all five inputs are combined into a single 5-input function of A, B, C, D and E. Any 5-input function may be emulated. The FGM mode is a superset of the F mode, where two 4-input functions of A, B, C and D are multiplexed together according to the fifth variable, E.

In all modes, either of the B and C inputs may be selectively replaced by QX and QY, the flip-flop outputs. In the FG mode, this selection is made separately for the two

look-up tables, extending the functionality to any two functions of four variable chosen from seven, provided two of the variables are stored in the flip-flops. This is particularly useful in state-machine-like applications.

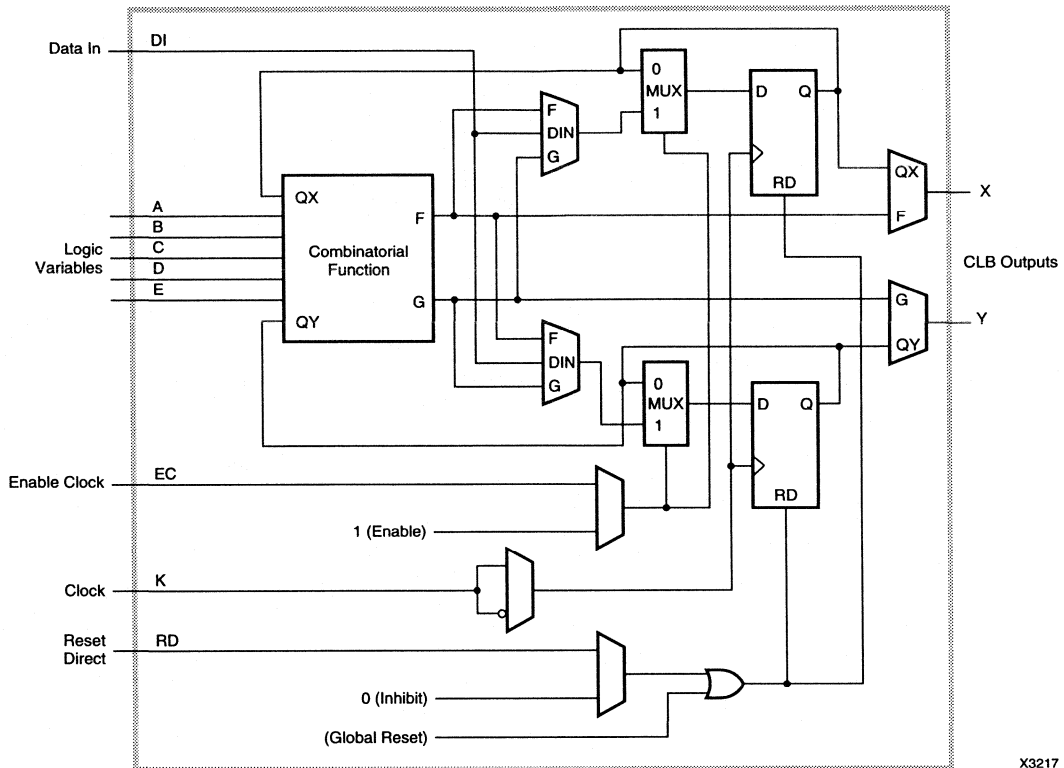
In the F mode, the function generators implement a single function of five variables that may be chosen from seven, as described above. The selection of QX and QY is constrained to be the same for both look-up tables. The FGM mode differs from the F mode in that QX and QY may be selected separately for the two look-up tables, as in the FG mode. This added flexibility permits the emulation of selected functions that can include all seven possible inputs.

The automatic logic-partitioning software in the XACT development system only uses the FG and F modes. However, all three modes are available with manual partitioning, which may be performed in the schematic. If FG or F modes are required, it is simply a matter of including in the schematic CLBMAPs that define the inputs and outputs of the CLB.

The FGM mode is only slightly more complicated. Again, a CLBMAP must be used, with the signal that multiplexes between the two 4-input functions locked onto the E pin. The CLB will be configured in the FGM mode if the logic is drawn such that the gates forming the multiplexer are shown explicitly with no additional logic merged into them.

The two D-type flip-flops share a common clock, a common clock enable, and a common asynchronous reset signal. An asynchronous preset can be achieved using the asynchronous reset if data is stored in active-low form; the Low created by reset corresponds to the bit being asserted. The flip-flops cannot be used as latches.

If input data to a CLB flip-flop is derived directly from an input pad, without an intervening flip-flop, the data-pad



X3217

**Figure 1. Configurable Logic Block (CLB)**

to-clock-pad hold time will typically be non-zero. This hold time is equal to the delay from the clock pad to the CLB, but may be reduced according to the 70% rule, described later in the IOB Input section of this Application Note. Under this rule, the hold time is reduced by 70% of the delay from the data pad to the CLB, excluding the CLB set-up time. The minimum hold time is zero, even when applying the 70% rule results in a negative number.

The CLB pins to which Longlines have direct access are shown in Table 1. Note that the clock enable pin (EC) and the TBUF control pin are both driven from to the same vertical Long Line. Consequently, EC cannot easily be used to enable a register that must be 3-stated onto a bus. Similarly, EC cannot easily be used in a register that uses the Reset Direct pin (RD).

### Input/Output Blocks

The XC3000/XC3100 IOB, shown in Figure 3, includes a 3-state output driver that may be driven directly or regis-

tered. The polarities of both the output data and the 3-state control are determined by configuration bits. Each output buffer may be configured to have either a fast or a slow slew rate.

**Table 1. Longline to CLB Direct Access**

Longline	CLB								TBUF
	A	B	C	D	E	K	EC	RD	T
Left Most Vertical (GCLK)						X			
Left Middle Vertical		X					X	X	X
Right Middle Vertical			X		X				
Right Most Vertical (ACLK)						X			
Upper Horizontal				X					
Lower Horizontal	X							X	

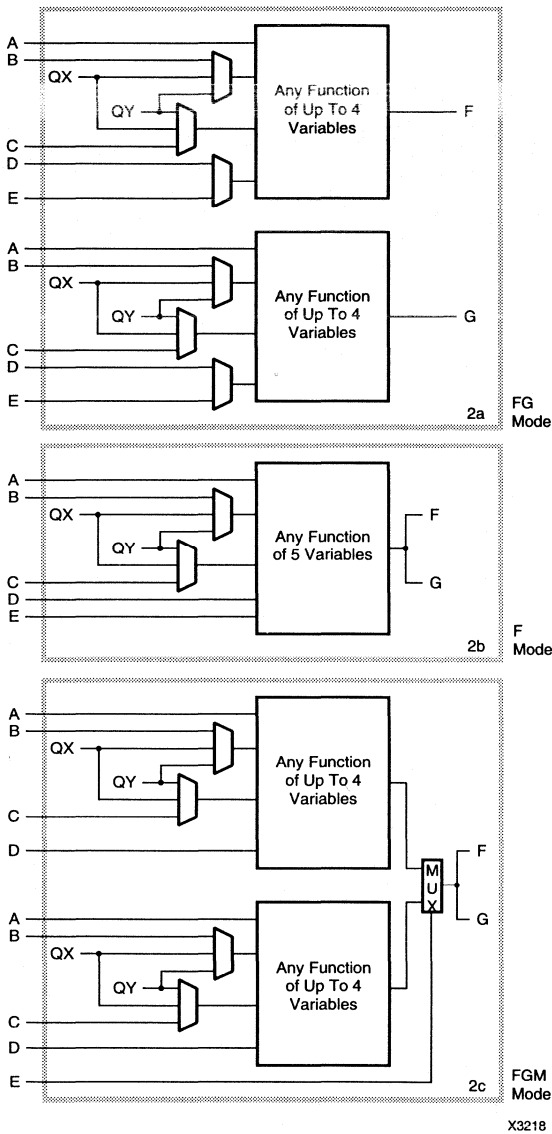


Figure 2. CLB Logic Options

The IOB input may also be direct or registered. Additionally, the input flip-flop may be configured as a latch. When an IOB is used exclusively as an input, an optional pull-up resistor is available, the value of which is 40-150 kΩ. This resistor cannot be used when the IOB is configured as an output or as a bidirectional pin.

Unused IOBs should be left unconfigured. They default to inputs pulled High with the internal resistor.

### Inputs

All inputs have limited hysteresis, typically in excess of 200 mV for TTL input thresholds and in excess of 100 mV for CMOS thresholds. Exceptions to this are the PWRDWN pin, and the XTAL2 pin when it is configured as the crystal oscillator input.

Experiments show that the input rise and fall times should not exceed 250 ns. This value was established through a worst-case test using internal ring oscillators to drive all I/O pins except two, thus generating a maximum of on-chip noise. One of the remaining I/O pins was configured as an input, and tested for single-edge response; the other I/O was used as an output to monitor the response.

These test conditions are, perhaps, overly demanding, although it was assumed that the PC board had negligible ground noise and good power-supply decoupling. While conservative, the resulting specification is, in most instances, easily satisfied.

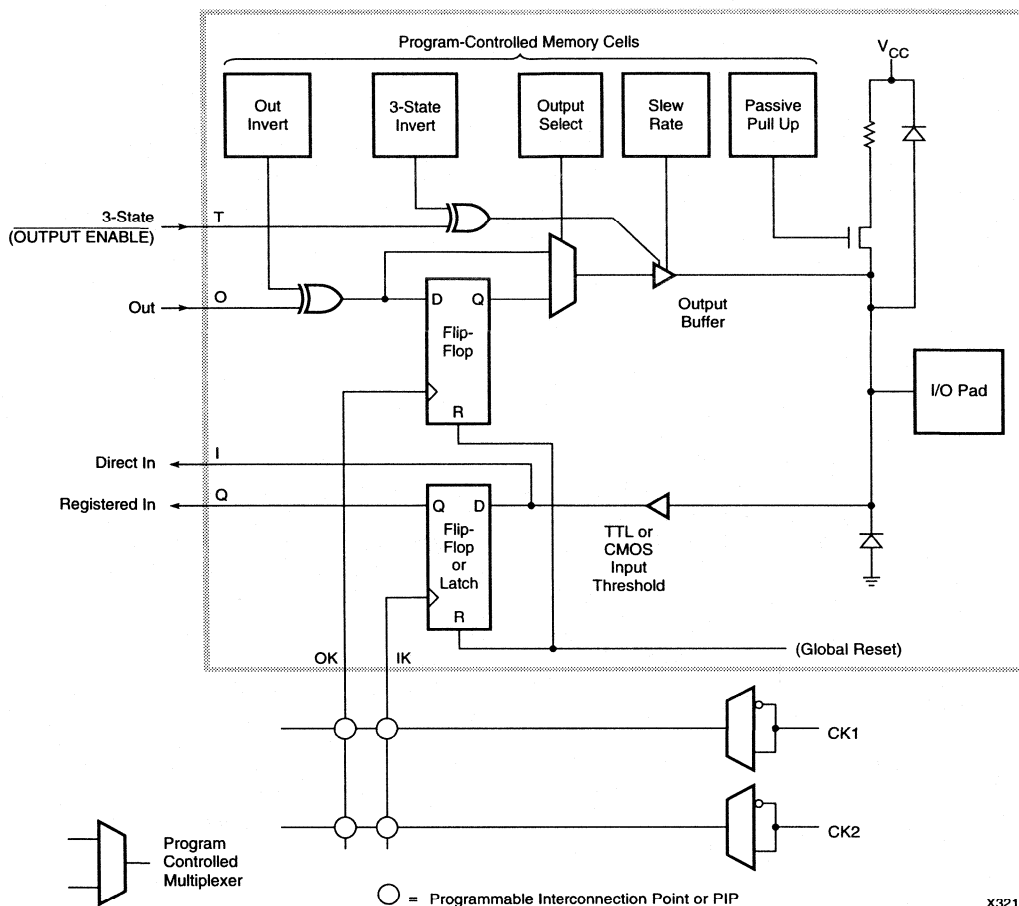
IOB input flip-flops are guaranteed to operate correctly without data hold times (with respect to the device clock-input pad) provided that the dedicated CMOS clock input pad and the GCLK buffer are used. The use of a TTL clock or a different clock pad will result in a data-hold-time requirement. The length of this hold time is equal to the delay from the actual clock pad to the GCLK buffer minus the delay from the dedicated CMOS clock pad to the GCLK buffer.

To ensure that the input flip-flop has a zero hold time, delay is incorporated in the D input of the flip-flop, causing it to have a relatively long set-up time. However, the set-up time specified in the data sheet is with respect to the clock reaching the IOB. Since there is an unavoidable delay between the clock pad and the IOB, the input-pad-to-clock-pad set-up time is actually less than the data sheet number.

Part of the clock delay can be subtracted from the internal set-up time. Ideally, all of the clock delay could be subtracted, but it is possible for the clock delay to be less than its maximum while the internal set-up time is at its maximum value. Consequently, it is recommended that, in a worst-case design, only 70% of the clock delay is subtracted.

The clock delay can only be less than 70% of its maximum if the internal set-up time requirement is also less than its maximum. In this case, the pad-to-pad set-up time actually required will be less than that calculated.

For example, in the XC3000-125, the input set-up time with respect to the clock reaching the IOB is 16 ns. If the delay from the clock pad to the IOB is 6 ns, then 70% of this delay, 4.2 ns, can be subtracted to arrive at a maximum pad-to-pad set-up time of ~12 ns.



X3216

Figure 3. Input/Output Block (IOB)

The 70% rule must be applied whenever one delay is subtracted from another. However, it is recommended that delay compensation only be used routinely in connection with input hold times. *Delay compensation in asynchronous circuits is specifically not recommended.* In any case, the compensated delay must not become negative. If 70% of the compensating delay is greater than the delay from which it is deducted, the resulting delay is zero.

*The 70% rule in no way defines the absolute minimum values delays that might be encountered from chip to chip, and with temperature and power-supply variations.* It simply indicates the relative variations that might be found within a specific chip over the range of operating conditions.

Typically, all delays will be less than their maximum, with some delays being disproportionately faster than others. The 70% rule describes the spread in the scaling factors; the delay that decreases the most will be no less than 70% of what it would have been if it had scaled in proportion to the delay that decreased the least. In particular, in a worst-case design where it is assumed that any delay might not have scaled at all, and remains at its maximum value, other delays will be no less than 70% of their maximum.

### Outputs

All XC3000/XC3100 LCA outputs are true CMOS with n-channel transistors pulling down and p-channel transistors pulling up. Unloaded, these outputs pull rail-to-rail.

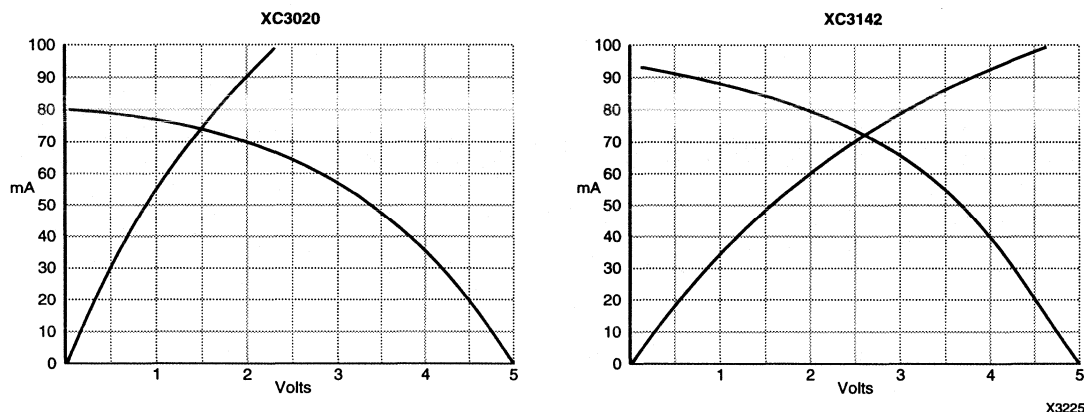


Figure 4. Current-Voltage Curves

Some additional ac and dc characteristics of the output are listed in Tables 2 and 3. Figure 4 shows output current/voltage curves for typical XC3000 and XC3100 devices.

Output-short-circuit-current values are given only to indicate the capability to charge and discharge capacitive loads. In accordance with common industry practice for other logic devices, only one output at a time may be short circuited, and the duration of this short circuit to  $V_{CC}$  or ground may not exceed one second. Xilinx does not recommend a continuous output or clamp current in excess of 20 mA on any one output pin. The data sheet guarantees the outputs for no more than 4 mA at 320 mV to avoid problems when many outputs are sinking current simultaneously.

There is good agreement between output impedance and loaded output rise and fall time, since the rise and fall time is slightly longer than two time constants.

Table 2. Additional AC Output Characteristics

AC Parameters	Fast*	Slow*
Unloaded Output Slew Rate	2.8 V/ns	0.5 V/ns
Unloaded Transition Time	1.45 ns	7.9 ns
Additional rise time for 812 pF	100 ns	100 ns
normalized	0.12 ns/pF	0.12 ns/pF
Additional fall time for 812 pF	50 ns	64 ns
normalized	0.06 ns/pF	0.08 ns/pF

\* Fast and Slow refer to the output programming option.

The active-High 3-state control (T) is the same as an active-Low output enable (OE). In other words, a High on the T-pin of an OBUFZ places the output in a high impedance state, and a Low enables the output. The same convention is used for TBUFs within the LCA device.

#### I/O Clocks

Internally, up to eight distinct I/O clocks can be used, two on each of the four edges of the die. While the IOB does not provide programmable clock polarity, the two clock lines serving an IOB can be used for true and inverted clock, and the appropriate polarity connected to the IOB. This does, however, limit all IOBs on that edge of the die to using only the two edges of the one clock.

IOB latches have active-Low Latch Enables; they are transparent when the clock input is Low and are closed when it is High. The latch captures data on what would otherwise be the active clock edge, and is transparent in the half clock period before the active clock edge.

Table 3. Additional DC Output Characteristics

Output Impedance	
Sinking, near ground	
Sourcing, near $V_{CC}$	25 $\Omega$
Output Short Circuit Current	
Sinking current by the LCA device	110 mA
Sourcing current by the LCA device	80 mA



**Table 4. Number of Horizontal Longlines**

Part Name	Rows x Columns	CLBs	HLL	TBUFs per HLL
3020	8 x 8	64	16	9
3030	10 x 10	100	20	11
3042	12 x 12	144	24	13
3064	16 x 14	224	32	15
3090	20 x 16	320	40	17

## Routing

### Horizontal Longlines

As shown in Table 4, there are two horizontal Longlines (HLLs) per row of CLBs. Each HLL is driven by one TBUF for each column of CLBs, plus an additional TBUF at the left end of the Longline. This additional TBUF is convenient for driving IOB data onto the Longline. In general, the routing resources to the T and I pins of TBUFs are somewhat limited.

Optionally, HLLs can be pulled up at either end, or at both ends. The value of each pull-up resistor is 3-10 k $\Omega$ .

In addition, HLLs are permanently driven by low-powered latches that are easily overridden by active outputs or pull-up resistors. These latches maintain well-defined logic levels on HLLs that are not pulled up and temporarily are not driven. The logic level maintained is the last level actively driven onto the line, and in some designs these latches may be exploited memory devices.

When using 3-state HLLs for multiplexing, the use of fewer than four TBUFs can waste resources. Multiplexers with four or fewer inputs can be implemented more efficiently using CLBs.

### Vertical Longlines

There are four vertical Longlines per routing channel: two general purpose, one for the global clock net and one for the alternate clock net.

### Clock Buffers

XC3000/XC3100 devices each contain two high-fan-out, low-skew clock-distribution networks. The global-clock net originates from the GCLK buffer in the upper left corner of the die, while the alternate clock net originates from the ACLK buffer in the lower right corner of the die.

The global and alternate clock networks each have optional fast CMOS inputs, called TCLKIN and BCLKIN, respectively. Using these inputs provides the fastest path from the PC board to the internal flip-flops and latches. Since the signal bypasses the input buffer, well-defined CMOS levels must be guaranteed on these clock pins.

To specify the use of TCLKIN or BCLKIN in a schematic, connect an IPAD symbol directly to the GCLK or ACLK symbol. Placing an IBUF between the IPAD and the clock buffer will prevent TCLKIN or BCLKIN from being used.

The clock buffer output nets only drive CLB and IOB clock pins. *They do not drive any other CLB inputs.* In rare cases where a clock needs to be connected to a logic input or a device output, a signal should be tapped off the clock buffer input, and routed to the logic input. This is not possible with clocks using TCLKIN or BCLKIN.

The clock skew created by routing clocks through local interconnect makes safe designs very difficult to achieve, and this practice is not recommended. In general, the fewer clocks that are used, the safer the design. High fan-out clocks should always use GCLK or ACLK. If more than two clocks are required, the ACLK net can be segmented into individual vertical lines that can be driven by PIPs at the top and bottom of each column. Clock signals routed through local interconnect should only be considered for individual flip-flops.

## General Information

### Recovery from Reset

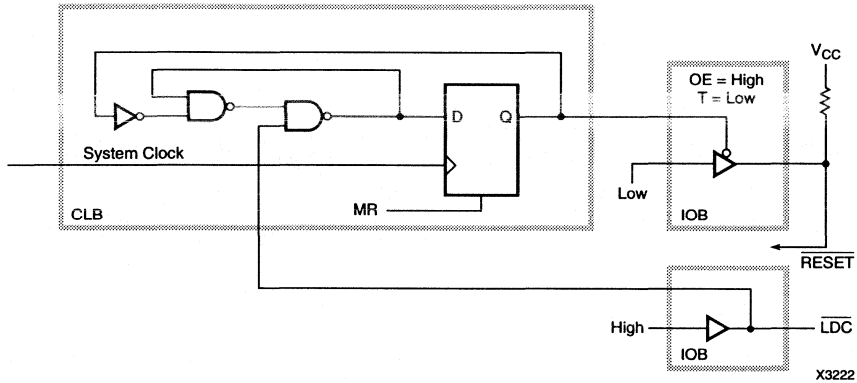
Recovery from Reset is not specified in Xilinx data sheets because it is very difficult to measure in a production environment. The following values may be assumed for all XC3000/XC3100 devices and speed grades.

- The CLB can be clocked immediately (<0.2 ns) after the end of the internal Reset Direct signal (RD).
- The CLB can be clocked no earlier than 25 ns (worst case) after the release of an externally applied Global Reset signal, i.e., after the rising edge of the active-Low signal.

### Configuration and Start-up

Until the chip goes active after configuration, all I/O pins not involved in the configuration process remain in a high-impedance state with weak pull-up resistors; all internal flip-flops and latches are held reset. Multiple LCA devices hooked up in a daisy chain will all go active simultaneously on the same CCLK edge. This is well documented in the data sheets.

Not documented, however, is how the internal combinatorial logic comes alive during configuration: As configuration data is shifted in and reaches its destination, it activates the logic and also "looks at" the IOB inputs. Even the crystal oscillator starts operating as soon as it receives its configuration data. Since all flip-flops and latches are being held reset, and all outputs are being held in their high-impedance state, there is no danger in this "staggered awakening" of the internal logic. The operation of the logic prior to the end of configuration is even



**Figure 5. Synchronous Reset**

useful; it ensures that clock enables and output enables are correctly defined before the elements they control become active.

Once configuration is complete, the LCA device is activated. This occurs on a rising edge of CCLK, when all outputs and clocks that are enabled become active simultaneously. Since the activation is triggered by CCLK, it is an asynchronous event with respect to the system clock. To avoid start-up problems caused by this asynchronism, some designs might require a reset pulse that is synchronized to the system clock.

The circuit shown in Figure 5 generates a short Global Reset pulse in response to the first system clock after the end of configuration. It uses one CLB and one IOB, and also precludes the use of the  $\overline{\text{LDC}}$  pin as I/O.

During Configuration,  $\overline{\text{LDC}}$  is asserted Low and holds the D-input of the flip-flop High, while Q is held Low by the internal reset, and  $\overline{\text{RESET}}$  is kept High by internal and external pull-up resistors. At the end of configuration, the  $\overline{\text{LDC}}$  pin is unasserted but D remains High since the function generator acts as an R-S latch; Q stays Low, and  $\overline{\text{RESET}}$  is still pulled High by the external resistor. On the first system clock after configuration ends, the Q is clocked High, resetting the latch and enabling the output driver which forces  $\overline{\text{RESET}}$  Low. This resets the whole chip until the Low on Q permits  $\overline{\text{RESET}}$  to be pulled High again.

The whole chip has thus been reset by a short pulse instigated by the system clock. No further pulses are generated, since the High on  $\overline{\text{LDC}}$  prevents the R-S latch from becoming set.

**Power Dissipation**

As in most CMOS ICs, almost all LCA power dissipation is dynamic, and is caused by the charging and discharging of internal capacitances. Each node in the device dissipates power according to the capacitance in the node, which is fixed for each type of node, and the frequency at which the particular node is switching, which can be different from the clock frequency. The total dynamic power is the sum of the power dissipated in the individual nodes.

While the clock line frequency is easy to specify, it is usually more difficult to estimate the average frequency of other nodes. Two extreme cases are binary counters, where half the total power is dissipated in the first flip-flop, and shift registers with alternating zeros and ones, where the whole circuit is exercised at the clocking speed.

Consequently, most power consumption estimates only serve as guidelines because they must be based on gross approximations. Table 5 shows the dynamic power dissipation, in mW per MHz, for different types of XC3000 nodes. While not precise, these numbers are sufficiently accurate for the calculations in which they are used, and may be used for any XC3000/XC3100 device. Table 6 shows a sample power calculation.

**Table 5. Dynamic Power Dissipation**

	XC3020	XC3090	
One CLB driving three local interconnects	0.25	0.25	mW/MHz
One device output with a 50 pF load	1.25	1.25	mW/MHz
One Global Clock Buffer and line	2.0	3.5	mW/MHz
One Longline without driver	0.1	0.15	mW/MHz

**Table 6. Sample Power Calculation**

Device: 3020					
Quantity	Node	MHz	mW/MHz	mW	
1	Clock Buffer	40	2.0	80	
5	CLBs	40	0.25	50	
10	CLBs	20	0.25	50	
40	CLBs	10	0.25	100	
8	Longlines	20	0.1	16	
20	Outputs	20	1.25	500	
				Total Power ~800 mW	

**Table 7. CCLK Frequency Variation**

V <sub>CC</sub>	Temp	Frequency
4.5 V	25°C	687 kHz
5.0 V	25°C	691 kHz
5.5 V	25°C	695 kHz
4.5 V	-30°C	966 kHz
4.5 V	+130°C	457 kHz

### CCLK Frequency Variation

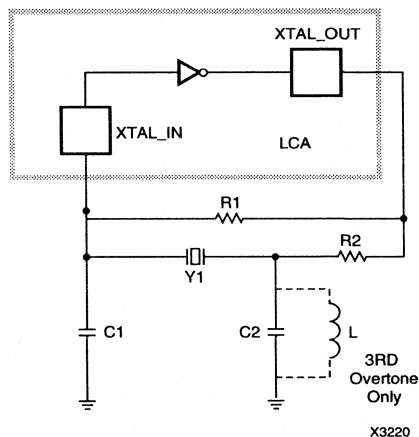
Configuration Clock (CCLK) is the internally generated free-running clock that shifts configuration data into and out of the device. The CCLK frequency is fairly insensitive to changes V<sub>CC</sub>, varying only 0.6% for a 10% change in V<sub>CC</sub>. It is, however, very temperature dependent, increasing 40% as the temperature drops from 25°C to -30°C, Table 7.

### Crystal Oscillator

XC3000 and XC3100 devices contain an on-chip crystal oscillator circuit that connects to the ACLK buffer. This circuit, Figure 6, comprises a high-speed, high-gain inverting amplifier with its input connected to the dedicated XTAL2 pin, and its output connected to the XTAL1 pin. An external biasing resistor, R1, with a value of 0.5 to 1 MΩ is required.

A crystal, Y1, and additional phase-shifting components, R2, C1 and C2, complete the circuit. The capacitors, C1 and C2, in parallel form the load on the crystal. This load is specified by the crystal manufacturer, and is typically 40 pF. The capacitors should be approximately equal: 20 pF each for a 40 pF crystal.

Either series- or parallel-resonant crystals may be used, since they differ only in their specification. Crystals constrain oscillation to a narrow band of frequencies, the width of which is «1% of the oscillating frequency; the exact frequency of oscillation within this band depends on


**Figure 6. Crystal Oscillator**

the components surrounding the crystal. Series-resonant crystals are specified by their manufacturers according to the lower edge of the frequency band, parallel-resonant crystals according to the upper edge.

The resistor, R2, controls the loop gain and its value must be established by experimentation. If it is too small, the oscillation will be distorted; if it is too large, the oscillation will fail to start, or only start slowly. In most cases, the value of R2 is non-critical, and typically is 0 to 1 kΩ.

Once the component values have been chosen, it is good practice to test the oscillator with a resistor (~1 kΩ) in series with the crystal. If the oscillator still starts reliably, independent of whether the power supply turns on quickly or slowly, it will always work without the resistor.

For operation above 20 to 25 MHz, the crystal must be operated at its third harmonic. The capacitor C2 is replaced by a parallel-resonant LC tank circuit tuned to ~2/3 of the desired frequency, i.e., twice the fundamental frequency of the crystal. Table 8 shows typical component values for the tank circuit.

**Table 8. Third Harmonic Crystal Oscillator Tank-Circuit Component**

Frequency (MHz)	LC Tank				
	L (μH)	C (pF)	Freq (MHz)	R2 (Ω)	C1 (pF)
32	1	60	20.6	430	23
35	1	44	24.0	310	23
49	1	31	28.6	190	23
72	1	18	37.5	150	12

**Metastable Recovery**

Whenever a clocked flip-flop synchronizes an asynchronous input, there is a small probability that the flip-flop output will exhibit an unpredictable delay. This happens when the input transition not only violates the setup and hold-time specifications, but actually occurs within the tiny timing window where the flip-flop accepts the new input. Under these circumstances, the flip-flop can enter a symmetrically balanced transitory state, called metastable (meta = between).

While the slightest deviation from perfect balance will cause the output to revert to one of its two stable states, the delay in doing so depends not only on the gain bandwidth product of the circuit, but also on how perfect the balance is and the noise level within the circuit; the delay can, therefore, only be described in statistical terms.

The problem for the system designer is not the illegal logic level in the balanced state (it's easy enough to translate that to either a 0 or a 1), but the unpredictable timing of the final change to a valid logic state. If the metastable flip-flop drives two destinations with differing path delays, one destination might reflect the final data state while the other does not.

With the help of a mostly self-contained circuit on the demonstration board that is available to all Xilinx customers, Xilinx evaluated the XC3020-70 CLB flip-flop. The result of this evaluation shows the Xilinx CLB flip-flop to be superior in metastable performance to many popular MSI and PLD devices.

Statistically, when an asynchronous event with a frequency of approximately 1 MHz is being synchronized by a 10-MHz clock, the CLB flip-flop suffers an additional delay, as follows.

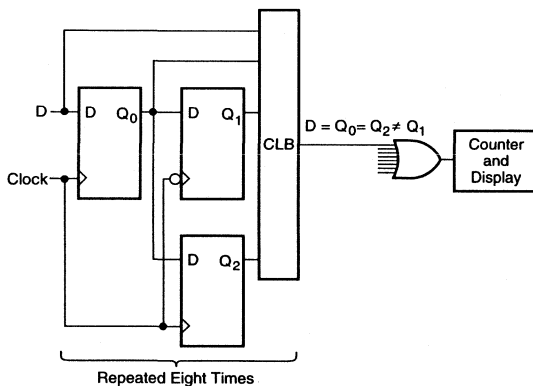
- 4.2 ns, once per hour
- 6.6 ns, once per year
- 8.4 ns, once per 1000 years

The frequency of occurrence of these metastable delays is proportional to the product of the asynchronous event frequency and the clock frequency. If, for example, a 100-kHz event is synchronized by a 2-MHz clock, the above delays (besides being far more tolerable) will occur 50 times less often.

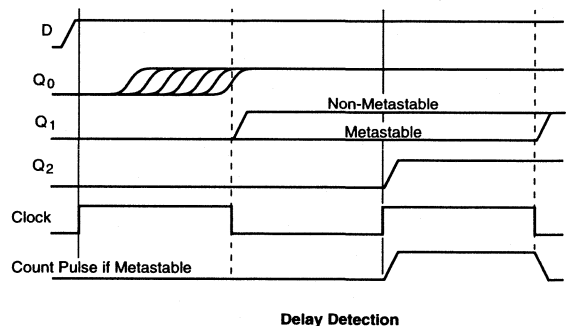
The evaluation depended on knowledge that the mean time between metastable events lasting longer than a specified duration increases exponentially with that duration. Consequently, the mean time between failure (MTBF) with a given tolerance for metastability delay can be determined by estimating the exponential ratio and a single point on the curve.

Since metastability can only be measured statistically, this data was obtained by configuring an XC3020 with eight concurrent detectors. Eight D-type flip-flops were clocked from a common high-speed source, and their D inputs driven from a common, lower frequency asynchronous signal, Figure 7. The output of each flip-flop fed the D inputs of two more flip-flops, one clocked half a clock period later and the second a full clock period later.

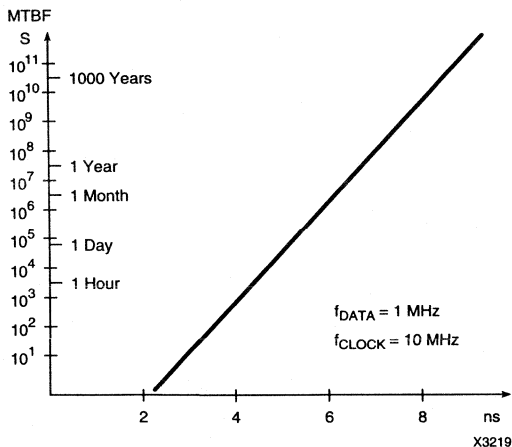
If a metastable event in the first flip-flop increased the output settling time to more than one-half clock period, the second two flip-flops would capture differing data. Thus, the occurrence of a long metastable delay could be detected using a simple comparator. Deliberate skew in the input data to the eight metastable circuits ensured that at most one metastable event could occur each clock. This permitted the eight detectors to be ORed into a single metastable event counter.



**Figure 7. Metastable Measuring Circuit**



X3226



**Figure 8. Metastable MTBF as a Function of Additional Acceptable Delay**

As expected, no metastable events were observed at clock rates below 25 MHz, since a half clock period of 20 ns is adequate for almost any metastability-resolution delay plus the flip-flop set-up time. Increasing the clock rate to around 27 MHz brought a sudden burst of metastable events. Careful adjustment of the clock frequency gave repeatable, reliable measurements showing that a 500 ps decrease in the half clock period increased the frequency of metastable occurrences by a factor of 41.

To be conservative, to compensate for favorable conditions at room temperature and to avoid any possibility of overstating a good case, the measurements were interpreted as follows.

*When capturing asynchronous data, the error rate decreases by a factor of 40 for every additional nanosecond of metastability-resolution delay that the system can tolerate.*

This factor of 40 is the exponential ratio of the MTBF curve, and it is now necessary to determine one point on the curve. Assuming that the flip-flop metastability window is 0.1 ns wide and the clock period is 100 ns (10 MHz), one data change in 1000 will fall into the metastability window; a data change every 1  $\mu$ s (1 MHz) will result in a mean time between metastable events of 1 ms. If the system has no tolerance for additional delay caused by metastability, every metastable event will cause a failure, and the MTBF will also be 1 ms.

Combining this data point with the measured exponential ratio results in the MTBF curve shown in Figure 8. As stated previously, for other clock and data frequencies, the MTBF scales in proportion to the product of those frequencies.

An exact measurement of the metastable window width is unnecessary. Even if the estimated width is low by an order of magnitude, the additional delay tolerance needed to achieve any given MTBF is less than 1 ns.

## Battery Back-up

Since Logic Cell Arrays are manufactured using a high-performance low-power CMOS process, they can preserve the configuration data stored in the internal static memory cells even during a loss of primary power. This is accomplished by forcing the device into a low-power non-operational state, while supplying the minimal current requirement of  $V_{CC}$  from a battery.

Circuit techniques used in XC3100 devices prevent  $I_{CC}$  from being reduced to the level need for battery back-up. Consequently, battery back-up should only be used for XC3000 devices.

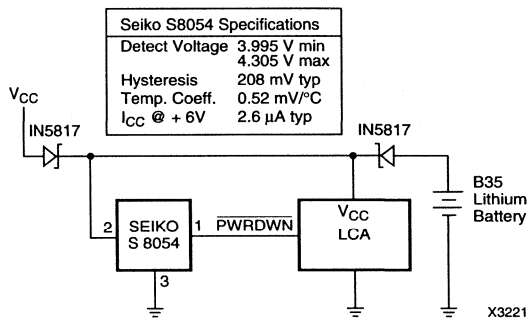
There are two primary considerations for battery backup which must be accomplished by external circuits.

- Control of the Power-Down ( $\overline{PWRDWN}$ ) pin
- Switching between the primary  $V_{CC}$  supply and the battery.

Important considerations include the following.

- Insure that  $\overline{PWRDWN}$  is asserted logic Low prior to  $V_{CC}$  falling, is held Low while the primary  $V_{CC}$  is absent, and returned High after  $V_{CC}$  has returned to a normal level.  $\overline{PWRDWN}$  edges must not rise or fall slowly.
- Insure “glitch-free” switching of the power connections to the LCA device from the primary  $V_{CC}$  to the battery and back.
- Insure that, during normal operation, the LCA  $V_{CC}$  is maintained at an acceptable level, 5.0 V  $\pm$  5% ( $\pm$ 10% for Industrial and Military).

Figure 9 shows a power-down circuit developed by Shel Epstein of Epstein Associates, Wilmette, IL. Two Schottky diodes power the LCA from either the 5.2 V primary supply or a 3 V Lithium battery. A Seiko S8054 3-terminal power monitor circuit monitors  $V_{CC}$  and pulls  $\overline{PWRDWN}$  Low whenever  $V_{CC}$  falls below 4 V.



**Figure 9. Counter Speed and Density**

## Summary

A simple algorithm is described for determining the depth of logic, in CLBs, that can be supported at a given clock frequency. The algorithm is suitable for XC3000/XC3100 or XC4000 LCA devices.

Speed is always a consideration when deciding whether a design can be implemented in an LCA devices. Often, an initial logic design is created and the question asked, "How fast will this run in an LCA device?"

This is not an easy question to answer. A good speed estimate requires careful analysis of the logic design; performance will vary with the logic implementation. To complicate matters, routing delays are always unknown at this stage.

When the estimate is complete, it is usually compared to a given system requirement simply to determine adequacy, and the exact number becomes irrelevant. If a system requires 30 MHz, for example, being able to operate at 35, 40 or even 50 MHz makes no difference.

A better question is "Will an LCA implementation meet the system speed requirements?"

This can often be answered much more easily. Given a required clock rate, it is easy to estimate the level of complexity that can be supported. This complexity can then be compared to the functional requirements to make an initial determination of feasibility. Only in marginal cases does a full speed estimate become necessary.

A typical data path runs from a register, through some combinatorial logic to another register. In an LCA device, this requires, as a minimum, a CLB clock-to-output delay plus a set-up time. In an XC3000-125 part, these total 10.5 ns. Including routing, 15 ns should be typically allowed. If combinatorial CLBs are added into the path, each level of CLBs adds 5.5 ns. Additional routing delays are also created. Including a typical routing allowance, 10 ns should be added for each level of combinatorial CLBs.

This simple speed-estimating procedure can also be reversed. If, for example, the system clock frequency is 30 MHz, the 33 ns period typically provides for two combinatorial CLBs.

Clock period	<u>33 ns</u>
Minimum delay	<u>-15 ns</u>
	18 ns
Combinatorial delay	+10 ns
	~2 CLBs

Including the function generator in the destination CLB, a total of three function generators can be cascaded. If the number of function generators that can be cascaded is known, the design can be analyzed to determine whether or not it is feasible.

This should not be considered a hard limit. Shorter routing delays can be achieved, allowing deeper logic. However, dependence on short routing delays will probably necessitate optimization of both the logic design and the routing.

Nor is the number of function generators guaranteed. Longer routing delays may be encountered, especially if a chip is fully utilized or if high fan-out signals are used. Elimination of these long routing delays may necessitate manual routing or logic design changes. In any case, the timing of all LCA designs should be analysed after routing to determine worst-case performance.

Table 1 shows typical minimum delays for various LCA devices. Also shown are typical increments for combinatorial CLBs. To allow for higher routing delays, these figures should be increased by 5 ns, if more that 60 – 75% of the CLBs are to be used. If a large LCA device is to be used and the CLBs are placed automatically, a separate 3 – 5 ns should be added to each delay.

This technique not only simplifies the feasibility study, it also provides valuable information on which to base the logic design. Critical areas can be identified prior to starting the design. It is better to design around the critical areas than to have to accommodate them during implementation. Conversely, if a design only requires a fraction of the capability available, it might be possible to multiplex some functions to provide a less costly implementation.

**Table 1. Delays, Including Typical Routing**

	XC3000			XC3100			XC4000	
	-70	-100	-125	-5	-4	-3	-6	-5
Minimum delay	21	18	15	10	9	7	17	12 ns
Combinational delay	15	12	10	8	7	6	12	9 ns

To each delay add: 5 ns for high utilization  
3 – 5 ns for large LCA Devices

## Summary

This Application Note describes the XC4000 Readback capability and its use. Topics include: initialization of the Readback feature, format of the configuration and Readback bitstreams, timing considerations, software support for reading back LCA devices, and Cyclic Redundancy Check (CRC).

## Xilinx Family

XC4000

## Demonstrates

XC4000 Readback Capability

## Purpose

Every LCA device shipped by Xilinx is tested using the device Readback capability. All CLBs and IOBs are configured and read back using extensive test patterns to guarantee 100% functionality of the LCA device.

An LCA device can be read back at any time after configuration. The Readback data consists of the configuration data and, optionally, the current state of the CLBs and IOBs.

## When is a Readback Necessary or Useful?

The XILINX devices are 100% pretested and the XC4000 series LCA devices can use Cyclic Redundancy Checking (CRC) on the configuration bitstream to check the integrity of the bitstream loaded into the LCA configuration memory.

In the configuration bitstream, there are four error-check bits for each data frame transmitted into the LCA device. Using this technique, the LCA device detects invalid data bits and aborts the configuration process. The INIT status pin is pulled Low, signaling that an error occurred during loading of the configuration memory.

Therefore, Readback is useful only in few cases.

- Verifying the configuration in a very unstable environment,
- Reading back the internal state of the RAM, CLBs and IOBs during the LCA development phase,
- In high-reliability applications that require in-system functional analysis and verification,
- For Xilinx internal testing

For examples of how to use Readback in your application, contact Xilinx.

## Readback Highlights

The Readback features and the user interface of the XC4000 devices are significantly improved over the XC2000/XC3000 devices.

The Readback operation does not interfere with the LCA operation. After a valid Readback request, the current state of LCA internal nodes can be captured into a special shift register. Then the data can be transferred out of the device using a user-defined clock signal.

The following LCA internal configuration data and circuit nodes are available for Readback (Figure 1).

- Configuration memory bits that define the logic configuration of CLBs, IOBs, and the LCA interconnects.
- X and Y output pins of CLB Function Generators.
- XQ and YQ output pins of CLB flip-flops,
- OQ output pins of IOB flip-flops,
- I1 and I2 input pins of IOBs

A mask file (<design\_name>.LL), generated with the MakeBits program, contains information about the location of the user data bits in the Readback bitstream and the names of the signals connected.

The user can implement comparison logic in CLBs to perform the comparison with data stored in the configuration PROM. This technique does not work if any CLB is used as RAM, since changing the RAM contents alters the data in the configuration memory. In this case, an additional mask PROM is needed to disable the comparison of Readback bitstream locations that represent the RAM data.

The Readback speed is 10 kHz min, 1 MHz max. See the timing diagrams at the end of this application note.

The XC4000 family features a Boundary-Scan instruction that initiates a Readback sequence using the standard IEEE 1149.1/JTAG Boundary-Scan ports.





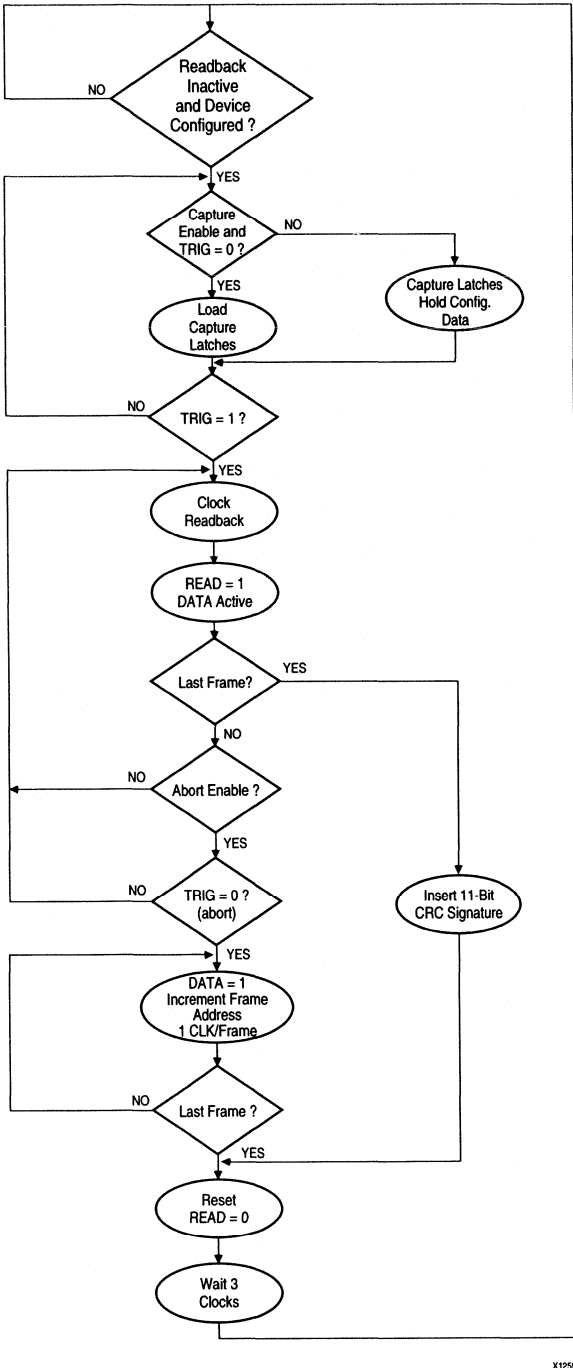


Figure 2. Readback State Diagram

Daisy chaining LCA devices for Readback is not possible. Each device must be read back individually.

The XChecker Universal Download Cable and Logic Probe handles configuration and Readback of XC2000, XC3000, and XC4000 FPGA families. In addition, it displays selected LCA internal nodes on screen.

### Performing a Readback

#### Readback State Diagram

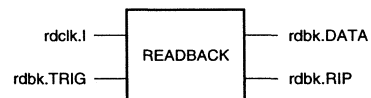
An LCA-internal state machine controls the Readback process. See Figure 2 for the Readback state diagram. For an explanation of the terms used, see below.

#### Readback Primitive

The XC4000 LCA device has a dedicated primitive that handles all of the Readback functions. It is located in the lower left and right corners of the LCA device and has two inputs and two outputs (Figure 3).

The Readback primitive can access general-purpose interconnects. Therefore, the four signals – rdclk.I, rdbk.TRIG, rdbk.RIP, and rdbk.DATA – can connect to the user I/Os and to CLBs as follows.

- rdclk.I – The Clock input can be connected to any device input pin, or any CLB output. If it is not connected to a user net, it connects to the device CCLK input pin, if the appropriate option is selected in the bitstream-generator MakeBits program.
- rdbk.TRIG – A Low-to-High transition on the TRIG input starts a Readback sequence. The minimum required pulse width is one rdclk.I cycle. A valid trigger causes the current value of certain nodes to be latched into an LCA internal holding register. If ReadAbort was selected as an option in MakeBits, a High-to-Low on the TRIG input aborts the Readback. In this case, additional clocks must be provided until rdbk.RIP signals the end of a Readback. The rdbk.TRIG cannot be reasserted until at least three clock periods after the previous Readback has been terminated correctly.
- rdbk.RIP (Readback-In-Progress) – A High on this output indicates that a Readback is being performed. RIP goes active one Readback clock cycle after a valid Readback trigger has occurred. It goes Low with the last data



X1785

Figure 3. The Readback Primitive

bit shifted out of the LCA device. In the case of a Readback abort, RIP remains active until the Readback sequence is terminated correctly.

- rdbk.DATA – The Readback data is available on the DATA output of the Readback primitive. Each rising edge on rdclk.l shifts one data bit from the LCA-internal holding register to the DATA output. The data bitstream is explained below. There is an option to disable the user data bits in the Readback bitstream.

Note that in XC3000 devices, the input pin M0/RTRIG is used as a Readback Trigger pin and M1/RDATA as a Readback Data pin. In XC4000, the M0 pin can be used as an input pin, the M1 pin as a 3-state output.

Also, XC3000 has a MakeBits option to inhibit Readback. In XC4000, conventional Readback is possible if the Readback primitive is used in the design, or if a Boundary-Scan Readback is performed.

**Readback Initialization**

There are three ways of preparing an LCA design for Readback.

- Using the Readback primitive on the schematic.
- Activating Readback from the XACT Design Editor.
- Performing a Readback during a Boundary-Scan operation.

*Readback from the schematic level*

In the Xilinx Design Interface Libraries, there is a Readback primitive that can be called up into the schematic like any other library primitive. Simply connect the inputs and outputs of the Readback primitive to your user nets as desired. See Figure 4 for an example.

Note: If the CLK input is not connected to any net, the Place-and-Route software connects it to the CCLK input pin, if the appropriate ClkSelect=Cclk was selected in the MakeBits program.

*Readback from the XDE*

In XDE, the Readback primitive is located in the lower left and lower right corners of the device. It is activated if the

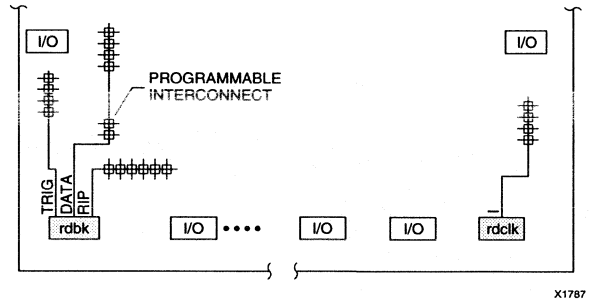


Figure 5. The XACT Readback Primitive

rdbk.TRIG and the rdbk.DATA signals are connected. The rdclk.l pin is connected to the CCLK pin, if not connected otherwise. See Figure 5.

*Readback during a Boundary-Scan*

No changes are required to prepare a design for Readback through the Boundary-Scan port. Contact Xilinx for additional information.

**Configuration and Readback Bitstreams**

**The XC4000 Configuration Bitstream**

Figure 6 shows the format of the XC4000 configuration bitstream, as generated by the XACT MakeBits program. The bitstream consists of header and program data. The header consists of four dummy bits, the preamble code, the configuration-program-length count, and an additional four dummy bits. The program data is divided into frames consisting of a Start bit (0), the data field, and four error check bits (eeee). The bitstream ends with eight or more postamble bits (01111XXX). The exact number of the bits in the bitstream is determined by the 24-bit program-length count.

**The XC4000 Readback Bitstream**

The Readback bitstream contains configuration information as well as the state of internal user logic. The Readback bitstream starts with five dummy bits. The Readback data frame has the same format as the configuration data frame which eases a bit-by-bit comparison between

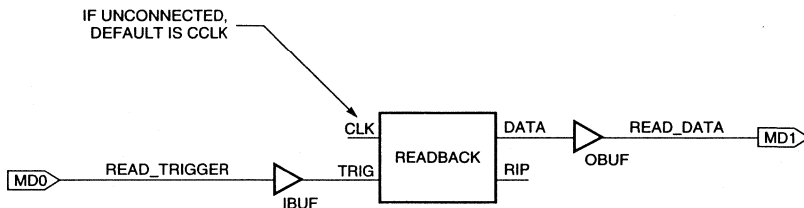


Figure 4. Readback Symbol on the Design Schematic

X1786

Readback and configuration data. Each data frame consists of a Start bit (0), the Data field, and four Stop bits (1111). The bitstream ends with 11 CRC bits, Figure 7.

Both the configuration data and the internal-logic data are included in the Readback bitstream. In the Readback bitstream, the configuration data bits are not inverted with respect to the configuration bitstream. The user-logic data bits, however, are inverted with respect to their values during Readback capture.

The read-back configuration data may differ from the original data downloaded into the device if CLB RAM is used in the design. The RAM data is stored in the F- and G-function tables of the CLB.

The first two bits of the first Readback data frame are variable; they are non-user, non-configuration bits. Their input state is dependent on the configuration speed and the configuration error-check mode of the LCA device. The last seven bits of the last Readback data frame are always ones.

If Readback capture of user data is disabled in the MakeBits program, logic Highs replace the user data. Note that the RAM data is not part of the captured user logic data; it is contained in the read-back configuration data.

The bitstream ends with eleven bits of a CRC signature appended. If ReadCapture is disabled and the design does not use any CLB RAM, this signature will be constant in successive Readbacks. See below for more information on the Polynomial Cyclic Redundancy Check CRC-16.

### Software Support for Readback

The user can set Readback options with the MakeBits program. The following MakeBits options are relevant for Readback of XC4000 devices.

ReadCapture:

Settings: Enable, Disable  
Default: Disable

This option determines whether the state of internal user logic is included in the Readback bitstream. If ReadCapture is disabled, the user data is replaced by ones.

ReadAbort:

Settings: Enable, Disable  
Default: Disable

ReadAbort enables the level-sensitive signal rdbk.TRIG to abort the Readback. A High-to-Low transition stops the Readback. Additional clocks must be supplied to terminate the Readback correctly. As a minimum, the number of data frames contained in the device plus three must be

sent as additional clocks. During this period, the Readback data is High. The rdbk.RIP signal indicates the completion of a Readback process.

ClkSelect:

Settings: CCLK, RDBK (user supplied)  
Default: CCLK

The rdclk.I pin can be connected to any user net or to the CCLK I/O pin. With this option, the user can choose between the alternatives.

MakeBits features an option used to create a "logic allocation" file (<design\_name>.LL) that contains information on which bit in the Readback bitstream corresponds to which signal in the design. This ASCII mask file indicates the offset from the beginning of the Readback bitstream, the frame number, the offset within a frame, and names of user signals in the Readback bitstream. Figure 8 shows an example.

### Readback Timing

Minimum Readback frequency is 10 kHz; maximum Readback frequency is 1 MHz. The rdclk.I High time and Low time are each 0.5  $\mu$ s min. See Table 1 for additional preliminary Readback switching characteristics.

### Cyclic Redundancy Check (CRC) for LCA Configuration and Readback

#### Concept of the Cyclic Redundancy Check

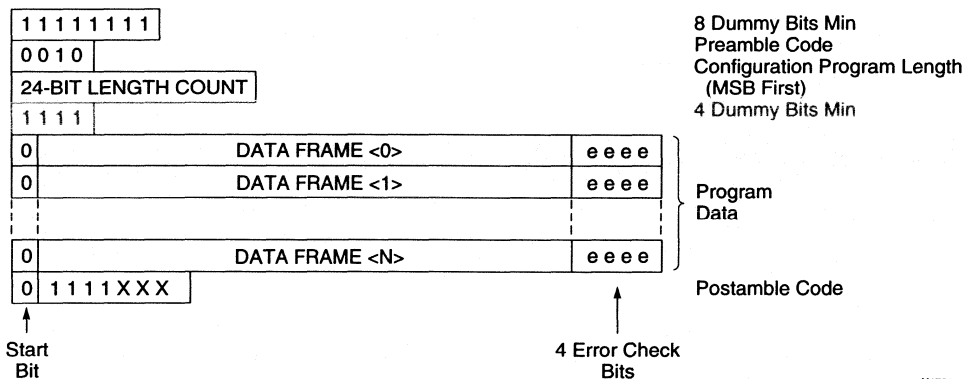
The Cyclic Redundancy Check is a method of error detection in data transmission applications. Generally, the transmitting system performs a calculation on the serial bitstream. The result of this calculation is tagged onto the data stream as additional check bits. The receiving system performs an identical calculation on the bitstream and compares the result with the received checksum. CRC Checksum Compare is often referred to as Signature Analysis.

#### CRC During LCA Configuration

Each data frame of the LCA configuration bitstream has four error bits at the end. See Figure 6. If a frame data error is detected during the loading of the LCA device, the configuration process with a potentially corrupted bitstream is terminated. The LCA pulls the INIT pin Low and goes into a Wait state.

#### CRC During LCA Readback

During an LCA Readback, 11 bits of the 16-bit checksum are appended to the end of the Readback data stream. The checksum is computed using the CRC-16 CCITT polynomial (Figure 9). The LCA checksum consists of the 11 most significant bits of the 16-bit code. A change in the checksum indicates a change in the Readback bitstream. Statistically, one in 2048 errors might go undetected.



X1791

Device	XC4002A	4003A	4003H	4004A	4005/5A	4005H	4006	4008	4010	4013	4016	4020
Appr. Gate Count	2,000	3,000	3,000	4,000	5,000	5,000	6,000	8,000	10,000	13,000	16,000	20,000
CLB Matrix	8 X 8	10 X 10	10 X 10	12 X 12	14 X 14	14 X 14	16 X 16	18 X 18	20 X 20	24 X 24	26 X 26	30 X 30
Number of CLBs	64	100	100	144	196	196	256	324	400	576	676	900
Number of Flip-Flops	256	360	200	480	616	392	768	936	1120	1536	1768	2280
Max Decode Inputs (per side)	24	30	30	36	42	42	48	54	60	72	78	90
Max Ram Bits	2,048	3,200	3,200	4,608	6,272	6,272	8,192	10,368	12,800	18,432	21,632	28,800
Number of IOBs	64	80	160	96	112	192	128	144	160	192	208	240

Bits per Frame = (10 x number of Columns) + 7 for the top + 13 for the bottom + 1 + 1 start bit + 4 error check bits

Number of Frames = (36 x number of Rows) + 26 for the left edge + 41 for the right edge + 1

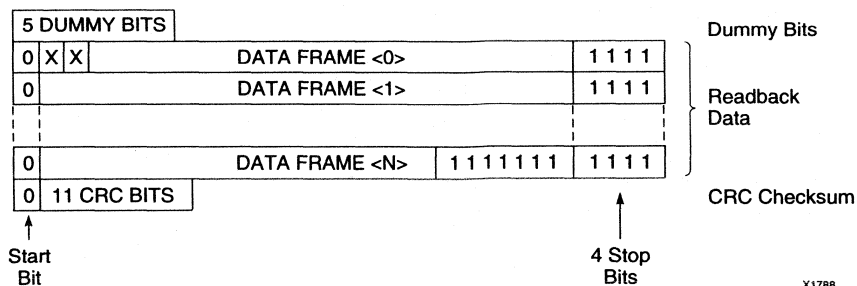
Program Data = (Bits per Frame x Number of Frames) + 8 postamble bits

PROM Size = Program Data + 40

The user can add more one bits as leading dummy bits in the header, or as trailing dummy bits at the end of any frame, following the four error check bits, but the Length Count value must be adjusted for all such extra one bits, even for leading extra ones at the beginning of the header.

Note: The configuration bitstreams are subject to change without notice.

Figure 6. XC4000 Configuration Bitstream Format



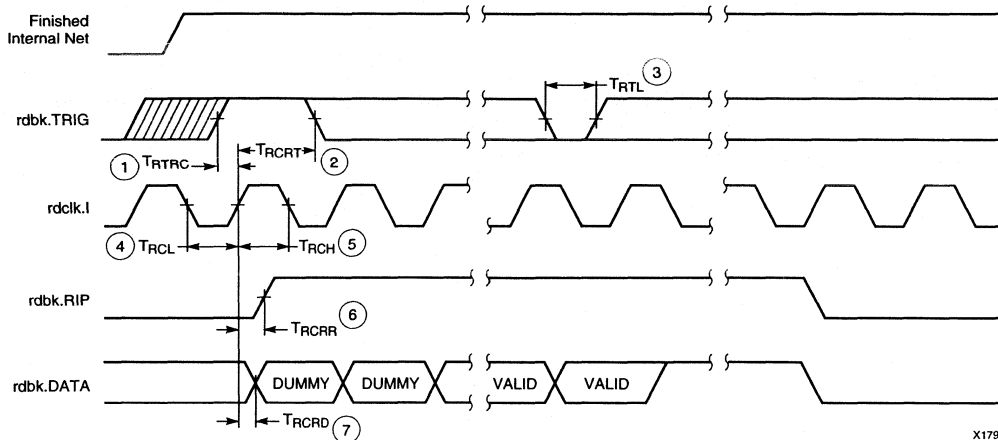
X1788

Figure 7. XC4000 Readback Bitstream

;	Offset	Column(Frame)	Row(Frame Offset)	Description
	21	1	100	P57 I1
	32	1	90	U37 I1
	41	1	79	P60 U1
	.	.	.	.
	.	.	.	.
	36640	303	23	CD YQ
	36650	303	13	BD YQ
	37044	307	103	LD XQ CFG/TOGGLE
	37054	307	93	KD XQ CFG/RDATA_REG/Q9
	37064	307	83	JD XQ CFG/RDATA_REG/Q1
	37074	307	73	ID XQ CFG/RDATA_REG/Q2
	37084	307	63	HD XQ REFDATA_REG/Q5
	37095	307	52	FD XQ
	37105	307	42	ED XQ
	.	.	.	.
	.	.	.	.
	.	.	.	.

Figure 8. Sample Logic Allocation File

Table 1. Readback Switching Characteristics

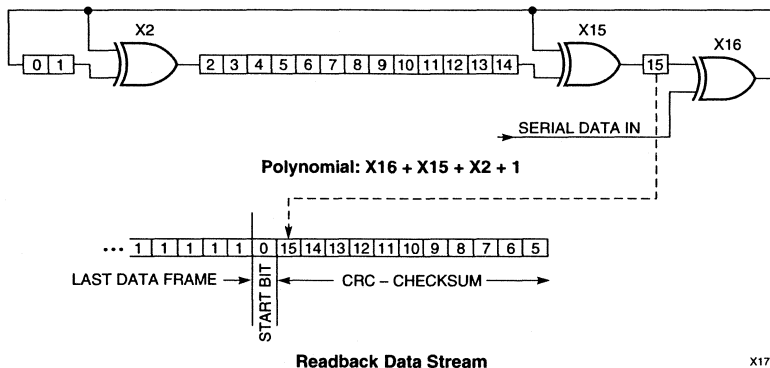


X1790

	Description	Symbol		Limits		
				Min	Max	Units
rdbk.TRIG	rdbk.TRIG setup	1	$T_{RTRC}$	200	-	ns
	rdbk.TRIG hold	2	$T_{RCRT}$	50	-	ns
	rdbk.TRIG Low to abort Readback	3	$T_{RTL}$	100	-	ns
rdclk.l	rdbk.DATA delay	7	$T_{RCRD}$	-	250	ns
	rdbk.RIP delay	6	$T_{RCRR}$	-	250	ns
	High time	5	$T_{RCH}$	0.5	50	$\mu$ s
	Low time	4	$T_{RCL}$	0.5	50	$\mu$ s

Notes:

1. Timing parameters apply to all speed grades.
2. If rdbk.TRIG is High prior to Finished, Finished will trigger the first Readback.



X1789

Figure 9. Circuit for Generating the CRC-16

## Summary

XC4000 LCA devices contain boundary-scan facilities that are compatible with IEEE Standard 1149.1. This Application Note describes those facilities in detail, and explains how boundary scan is incorporated into an LCA design.

## Xilinx Family

XC4000

## Demonstrates

Boundary Scan

## Introduction

In production, boards must be tested to assure the integrity of the components and the interconnections. However, as integrated circuits have become more complex and multi-layer PC-boards have become more dense, it has become increasingly difficult to test assembled boards.

Originally, manufacturers used functional tests, applying input stimuli to the input connectors of the board, and observing the results at the output. Later, "bed-of-nails" testing became popular, where a customized fixture presses sharp, nail-like stimulus- and test-probes into the exposed traces on the board. These probes were used to force signals onto the traces and observe the response.

However, increasingly dense multi-layer PC boards with ICs surface-mounted on both sides have stretched the capability of bed-of-nail testing to its limit, and the industry is forced to look for a better solution. Boundary-scan techniques provide that solution.

The inclusion of boundary-scan registers in ICs greatly improves the testability of boards. Boundary scan provides a mechanism for testing component I/Os and interconnections, while requiring as few as four additional pins and a minimum of additional logic in each IC. Component testing may also be supported in ICs with self-test capability.

Devices containing boundary scan have the capability of driving or observing the logic levels on I/O pins. To test the external interconnect, devices drive values onto their outputs and observe input values received from other devices. A central test controller compares the received data with expected results. Data to be driven onto outputs is distributed through a chain of shift registers, and observed input data is returned through the same shift-register path.

Data is passed serially from one device to the next, thus forming a boundary-scan path or loop that originates at the test controller and returns there. Any device can be

temporarily removed from the boundary-scan path by bypassing its internal shift registers, and passing the serial data directly to the next device.

XC4000 LCA devices contain boundary-scan registers that are compatible with the IEEE Standard 1149.1, that was derived from a proposal by the Joint Test Action Group (JTAG). External (I/O and interconnect) testing is supported; there is also limited support for internal self-test.

## Overview of XC4000 Boundary-Scan Features

XC4000 devices support all the mandatory boundary-scan instructions specified in the IEEE Standard 1149.1. A Test Access Port (TAP) and registers are provided that implement the EXTEST, SAMPLE/PRELOAD and BYPASS instructions. The TAP can also support two USERCODE instructions.

Boundary-scan operation is independent of individual IOB configuration and package type. All IOBs are treated as independently controlled bidirectional pins, including any unbonded IOBs. Retaining the bidirectional test capability even after configuration affords tremendous flexibility for interconnect testing.

Additionally, internal signals can be captured during EXTEST by connecting them to unbonded IOBs, or to the unused outputs in IOBs used as unidirectional input pins. This partially compensates for the lack of INTEST support.

The public boundary-scan instructions are always available prior to configuration. After configuration, the public instructions and any USERCODE instructions are only available if specified in the design. While SAMPLE and BYPASS are available during configuration, it is recommended that boundary-scan operations not be performed during this transitory period.

In addition to the test instructions outlined above, the boundary-scan circuitry can also be used to configure the LCA device, and read back the configuration data.

The following description assumes that the reader is familiar with boundary-scan testing and the IEEE Standard. Only issues specific to the XC4000 implementation are discussed in detail. For general information on boundary scan, please refer to the bibliography.

**Deviations from the IEEE Standard**

The XC4000 boundary scan implementation deviates from the IEEE standard in that three dedicated pins (CCLK, PROGRAM and DONE) are not scanned.

It should also be noted that the Test Data Register contains three Xilinx test bits (BSCANT.UPD, TDO.O and TDO.T) and that bits of the register may correspond to unbonded or unused pins.

Additionally, the EXTEST instruction incorporates INTTEST-like functionality that is not specified in the standard, and system clock inputs are not disabled during EXTEST, as recommended in the standard.

The TAP pins (TMS, TCK, TDI and TDO) are scanned, but connections to the TAP controller are made before the

boundary-scan logic. Consequently, the operation of the TAP controller cannot be affected by boundary-scan test data.

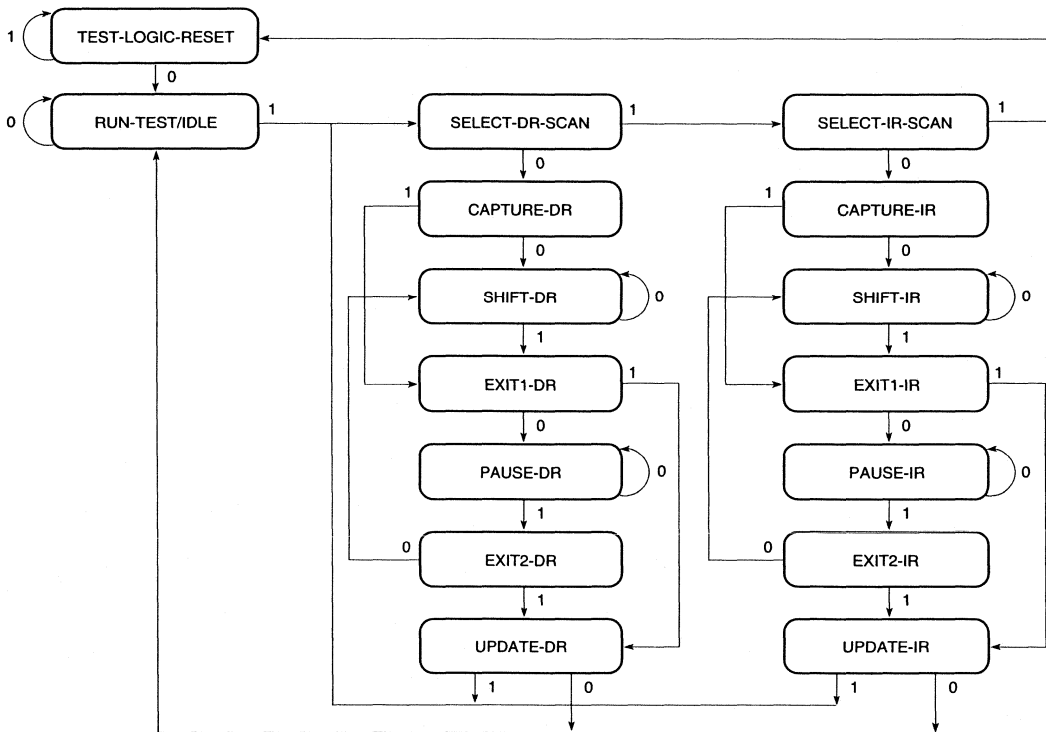
**Boundary-Scan Hardware Description**

**Test Access Port**

The boundary-scan logic is accessed through the Test Access Port, which comprises four semi-dedicated pins: Test Mode Select (TMS), Test Clock (TCK), Test Data Input (TDI) and Test Data Output (TDO), as defined in the IEEE specification.

The TAP pins are permanently connected to the boundary-scan circuitry. However, once the device is configured, the connections may be ignored unless the use of boundary scan is specified in the design (See "Using Boundary Scan").

If the use of boundary scan is specified, the TAP input pins (TMS, TCK and TDI) may still be shared with other logic, subject to limitations imposed by external connections and the operation of the TAP Controller. In designs



NOTE: The value shown adjacent to each state transition in this figure represents the signal present at TMS at the time of a rising edge at TCK.

X2680

Figure 1. State Diagram for the TAP Controller





provided per IOB: for input data, output data and 3-state control. In practice, many of these bits are redundant, but they are not removed from the scan chain.

An update latch accompanies each bit of the DR, that is used to hold injected test data stable during shifting. The update latch is opened during the Update-DR state of the TAP Controller when TCK is Low.

In a typical DR instruction, the DR captures data during the Capture-DR state (on the rising edge of TCK). This data is then shifted out and replaced with new test data. Subsequently, the update latch opens, and the new test data becomes available for injection into the logic or the interconnect. The injection of data occurs only if an EXTEST instruction is in progress.

*Note: The update latch is opened whenever the TAP Controller is in the Update-DR state, regardless of the instruction. Care must be exercised to ensure that appropriate data is contained in the update latch prior to initiating an EXTEST. Any DR instruction, including BYPASS, that is executed after the test data is loaded, but before the EXTEST commences, changes the test data.*

The IEEE Standard does not require the ability to inject data into the on-chip system logic and observe the results during EXTEST. However, this capability helps compensate for the lack of INTEST. Logic inputs may be set to specific levels by a SAMPLE/PRELOAD or EXTEST

instruction and the resulting logic outputs captured during a subsequent EXTEST. It must be recognized, however, that all DR bits are captured during an EXTEST and, therefore, may change.

Pull-up and pull-down resistors remain active during boundary scan. Before and during configuration, all pins are pulled up. After configuration, the IOB can be configured with a pull-up resistor, a pull-down resistor or neither. Internal pull-up/pull-down resistors must be taken into account when designing test vectors to detect open circuit PC traces.

The primary and secondary global clock inputs (PGCK1-4 and SGCK1-4) are taken directly from the pins, and cannot be overwritten with boundary-scan data. However, if necessary, it is possible to drive the clock input from boundary scan. The external clock source is 3-stated, and the clock net is driven with boundary scan data through the output driver in the clock-pad IOB. If the clock-pad IOBs are used for non-clock signals, the data may be overwritten normally.

Figure 3 shows the data-register cell for a TAP pin. An OR-gate permanently disables the output buffer if boundary-scan operation is selected. Consequently, it is impossible for the outputs in IOBs used by TAP inputs to conflict with TAP operation. TAP data is taken directly from the pin, and cannot be overwritten by injected boundary-scan data.

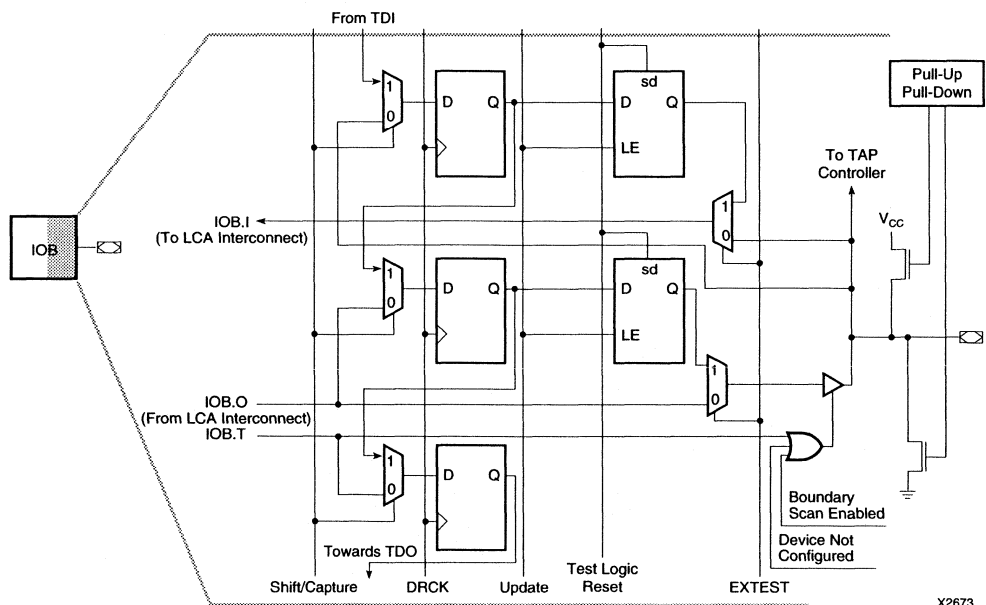
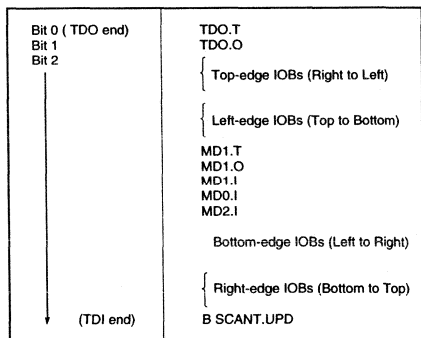


Figure 3. Boundary Scan Logic in a TAP Input IOB (TMS, TCK and TDI Only)

**Table 2. Boundary Scan Order**



X2674

Table 2 lists, in data-stream order, the boundary-scan cells that make up the DR. The cell closest to TDO corresponds to the first bit of the data-stream, and is at the top of the table. This order is consistent with the BSDL description.

Each IOB corresponds to three bits in the DR. The 3-state control is first (closest to TDO), the output is next, and the input is last. Other signals correspond to individual register bits. IOB locations assume that the die is viewed from the top, as in XDE.

*Note: All IOBs remain in the DR, independent whether they are actually used, or even bonded. Three bits, BSCANT.UPD, TDO.O and TDO.T, are included for Xilinx test purposes, and may be ignored by other users. CCLK, PROGRAM and DONE are not included in the boundary scan.*

Tables in the data sheet show the DR order for all XC4000 family devices. The DR also includes the following non-pin bits: TDO.T and TDO.I, which are always bits 0 and 1 of the DR, respectively, and BSCANT.UPD which is always the last bit of the DR.

### The Bypass Register

This is a 1-bit shift register that passes the serial data directly to TDO when a bypass instruction is executed.

### User Registers

The XC4000 boundary-scan instruction set includes two USERCODE instructions, USER1 and USER2. Connections are provided to the TAP and TAP controller that, together with direct connections to the TAP pins, permit the user to include boundary-scan self-test features in the design.

The boundary scan block has six connections for user registers: SEL1, SEL2, TDO1, TDO2, DRCK and IDLE. TDI is available directly from the IOB that provides the TDI pin.

*Note: The TDI signal supplied to user test logic is overwritten by boundary-scan test data during EXTEST. During user tests, it is not altered.*

**SEL1, SEL2** – SEL1 and SEL2 enable user logic. They are asserted (High) when the instruction register contains instructions USER1 and USER2, respectively.

**TDO1, TDO2** – TDO1 and TDO2 are inputs to the TDO output multiplexer, permitting user access to the serial boundary-scan output. They are selected when executing the instructions USER1 and USER2, respectively. Input to user data registers can be derived directly from the TDI pin, thus completing the boundary-scan chain.

There is a one flip-flop delay between TDO1/TDO2 and the TDO output. This flip-flop is clocked on the falling edge of TCK.

**DRCK** – Data register clock (DRCK) is a gated and inverted version of TCK. It is provided to clock user test-data registers. TDI data should be sampled with the falling edge of DRCK (rising edge of TCK). The TDO output flip-flop accepts data on the rising edge of DRCK (falling edge of TCK). DRCK is active only during the Capture-DR and Shift-DR states of the TAP controller.

**IDLE** – IDLE is a second gated and inverted version of TCK. It is active during the Run-Test/Idle state of the TAP controller, and may be used to clock user test logic a set number of times, determined through TMS by the central test controller.

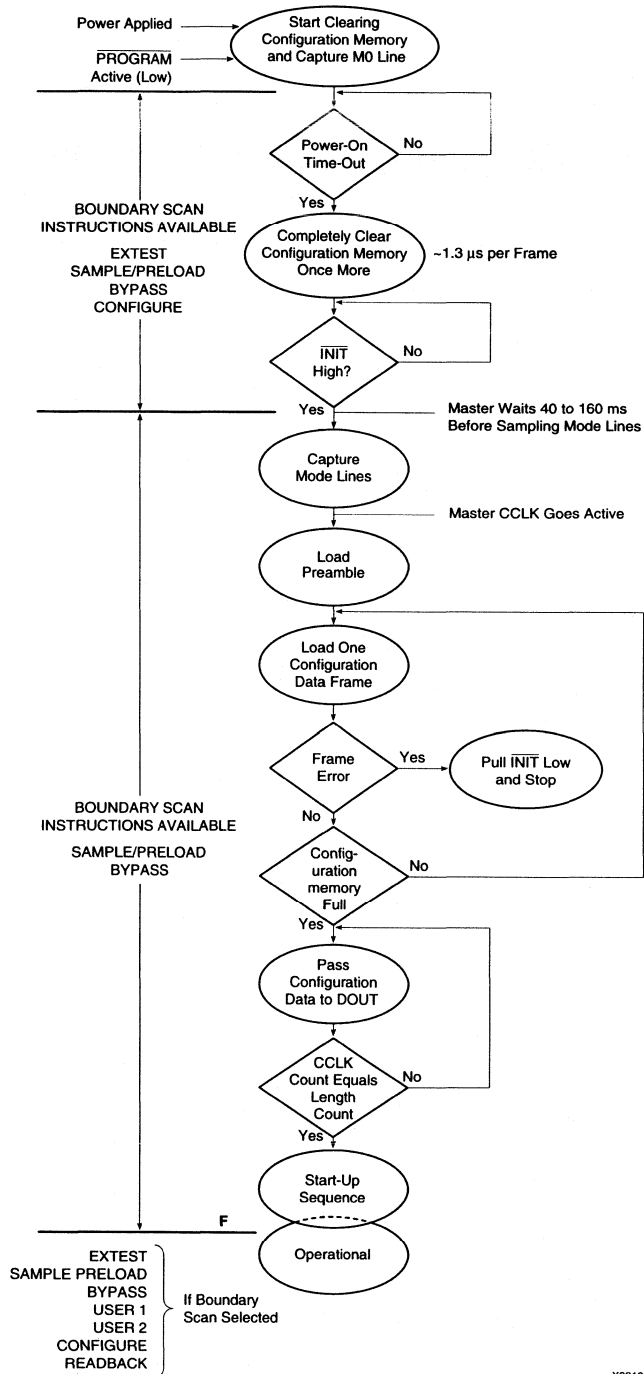
## Using Boundary Scan

### Boundary-Scan Availability

Full access to the built-in boundary-scan logic is always available between power-up and the start of configuration. Optionally, the built-in logic is fully available after configuration if boundary scan is specified in the design. At this time, user test logic is also available, and may be accessed through the boundary-scan port. During configuration, a reduced boundary-scan capability remains available: the SAMPLE/PRELOAD and BYPASS instructions only.

Figure 4 is a flow chart of the LCA start-up sequence that shows when the boundary-scan instructions are available. Since PROGRAM resets the TAP controller, boundary-scan operations cannot commence until PROGRAM has been taken High.

Full boundary-scan capabilities are then available until INIT is High. Without external intervention, INIT automatically goes High after ~1 ms. If more time is required for boundary-scan testing, INIT may be held Low beyond this period by applying an external Low signal to the INIT pin until testing is complete.



X3210

Figure 4. Start-up Sequence

The  $\overline{INIT}$  pin is included in the boundary-scan coverage, and may be replaced by boundary-scan test data during an EXTEST instruction. *When performing an EXTEST prior to configuration, care must be exercised that boundary-scan input data does not force  $\overline{INIT}$  High; this would terminate the EXTEST.*

During configuration, only SAMPLE/PRELOAD and BYPASS are available. Since the duration of the configuration period is determined by the configuration process itself, and this cannot be externally controlled, it is recommended that this period not be used for boundary-scan operations.

If boundary scan is not to be used after configuration, the start of configuration should be delayed until all boundary-scan operations are complete. This may be achieved by controlling  $\overline{INIT}$ , as described above. If boundary scan is enabled after configuration, unrestricted boundary-scan operations can be conducted once the configuration process is complete.

The exact point at which boundary-scan operations can be resumed after configuration (point F) depends upon the configuration mode. It is the point defined as Finished in the configuration timing diagram found in the Start-up section of the XC4000 Data Sheet.

The period of reduced boundary-scan availability is identified by a flag in the status word that is returned through the boundary-scan path whenever an instruction is loaded into the IR. The flag is High when all boundary-scan functions are available, and Low when only SAMPLE/PRELOAD and BYPASS are available. See the Instruction Register section.

### Selecting Post-Configuration Boundary-Scan Operation

In a configured LCA device, the boundary-scan logic may or may not be active, depending on the configuration data loaded into the part. Activation of the boundary-scan logic, if desired, is part of the LCA design process. After configuration, boundary scan cannot be activated or deactivated without changing the configuration..

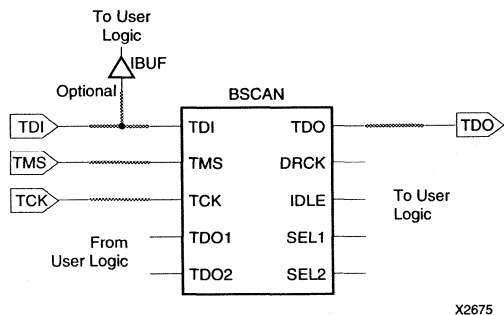


Figure 5. Boundary-Scan Schematic Symbols

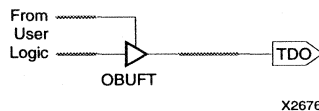


Figure 6. Typical Non-Boundary-Scan TDO Connection

If the BSCAN primitive is not included, boundary scan is not selected, and the IOBs used by the TAP inputs pins are freely available to PPR as general purpose IOBs. The TDO output pin may used as a logic output by explicitly connecting the TDO pad primitive to an OBUF or OBUFT as required, Figure 6.

Boundary scan may also be selected in the XACT Design Editor. The EditBlk command is used to change the configuration of the BSCAN block, found in the top left corner of the die. USED is toggled so that it is highlighted. The TAP pins are permanently connected to the BSCAN block, although the connections are not explicitly shown. Connections to user test logic may be made using the design editor, if required.

### XC4000 Boundary-Scan Instructions

The XC4000 boundary scan supports three IEEE-defined instructions, EXTEST, SAMPLE/PRELOAD and BYPASS, two user-definable instructions, USER1 and USER2, and two LCA-specific instructions, CONFIGURE and READ-BACK. The instruction codes are shown in Table 1.

**EXTEST** – While the EXTEST instruction is present in the IR, the data presented to the device output buffers is replaced by data previously loaded through the boundary-scan DR and stored in the update latch, Figure 7. Similarly, the output 3-state controls are replaced, and the data passed to internal system logic from input pins is replaced.

When a DR instruction cycle is executed, data arriving at the device input pins is loaded into the DR. The data from the system logic that drives output buffers and their 3-state controls is also loaded. This action occurs during the Capture-DR state of the TAP controller, Figure 1. Data is serially shifted out of the DR during the Shift-DR state; simultaneously, new data is shifted in. In the Update-DR state, the new data is transferred into the update latch for use as replacement data, as described above.

The replacement of system data with update latch data starts as soon as the EXTEST instruction is loaded into the IR. For this data to be valid, it must have been loaded by a previous EXTEST or SAMPLE/PRELOAD operation.

*Since the DR and Update latch are modified during any DR instruction cycle, including BYPASS, the data in the update latch is only valid if it was loaded in the last DR instruction cycle executed before EXTEST is asserted.*

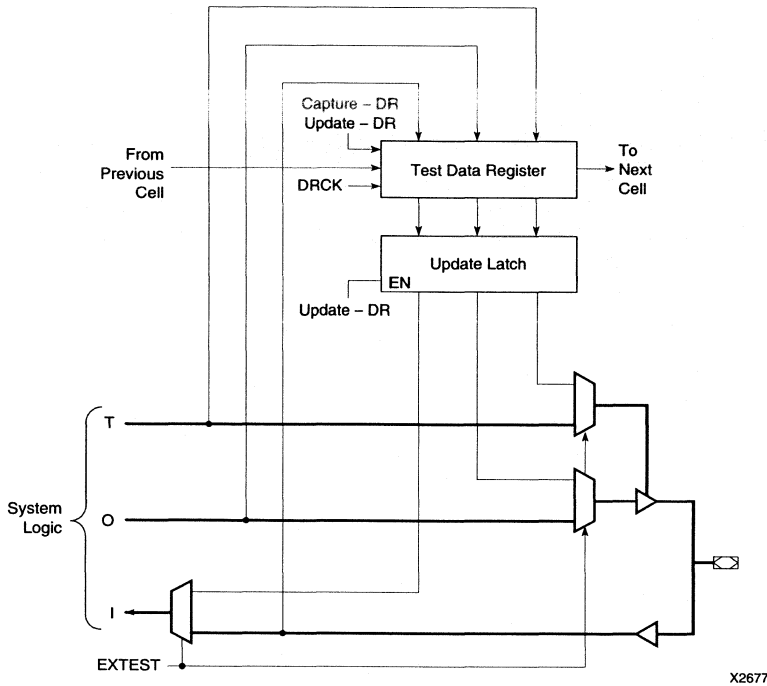


Figure 7. EXTEST Data Flow

The IEEE definition of EXTEST only requires that test data be driven onto outputs, that 3-state output controls be overridden, and that input data be captured. The capture of output data and 3-state controls and the forcing of test data into the system logic is normally performed during INTEST.

The XC4000 effectively performs EXTEST and INTEST simultaneously. This added functionality permits the testing of internal logic, and compensates for the absence of a separate INTEST instruction. However, when performing an EXTEST, care must be taken over what signals are driven into the system logic; data captured from internal system logic must be masked out of the test-data stream before performing check-sum analysis.

**SAMPLE/PRELOAD** – The SAMPLE/PRELOAD instruction permits visibility into system operation by capturing the state of the I/O. It also permits valid data to be loaded into the update register before commencing an EXTEST.

The DR and update latch operate exactly as in EXTEST, see above. However, data flows through the I/O unmodified.

**BYPASS** – The BYPASS instruction permits data to be passed synchronously to the next device in the boundary-scan path. There is a 1-bit shift register between the TDI and TDO flip-flop.

**USER1, USER2** – These instructions permit test logic, designed by the user and implemented in CLBs, to be accessed through the TAP. Test clocks and paths to TDO are provided, together with two signals that indicate that user instructions have been loaded. For details, see the User Registers section above.

User tests depend upon CLBs and interconnect that must be configured to operate. Consequently, they may only be performed after configuration.

**CONFIGURE** – XC4000 LCA devices can be configured, or reconfigured through the TAP. Like EXTEST, this instruction is only available before INIT goes High or after a conventional configuration is finished.

After loading the CONFIGURE instruction, TCK clocks a normal configuration bit-stream into TDI while the TAP controller is in the Shift-DR state. The configuration pre-

amble is passed to both TDO and DOUT. Configuration bits used by the device are not passed to the output, but are replaced by ones, as in a conventional configuration. Any bits beyond those required to configure the device are passed to TDO and DOUT.

**READBACK** – READBACK permits the configuration data of an LCA device to be read back through the TAP. This instruction differs from other boundary instructions in two ways.

- The readback logic is triggered (equivalent to Capture-DR) during the Update-IR state when the READBACK instruction is loaded. To re-trigger the readback logic, some other boundary-scan instruction must first be loaded, and then the READBACK instruction reloaded.
- TDI does not connect to the input end of the READBACK shift register. Consequently, data from upstream devices is lost.

For details of the readback bit-stream, see the Xilinx Application Note "Using the XC4000 Readback Capability" (XAPP 015).

### Boundary Scan Description Language Files

Boundary Scan Description Language (BSDL) files describe boundary-scan-capable parts in a standard format used by automated test-generation software. The

order and function of bits in the boundary-scan data register are included in this description.

BSDL files for XC4000 devices can be obtained from your Xilinx FAE, or by calling the Xilinx Applications Hotline. These files may also be downloaded from the Xilinx Technical Bulletin Board (BBS), and have filenames <device>.bsm.

### Bibliography

The following publications contains information about the IEEE Standard 1149.1, and should be consulted for general boundary-scan information beyond the scope of this application note.

Colin M. Maunder & Rodham E. Tulloss. *The Test Access Port and Boundary Scan Architecture*. IEEE Computer Society Press, 10662 Los Vaqueros Circle, P.O. BOX 3014, Los Alamitos, CA 90720-1264.

John Fluke Mfg. Co. Inc. *The ABC of Boundary Scan Test*. John Fluke Mfg. Co. Inc., P.O. BOX 9090, Everett, WA 98206.

GenRad Inc. *Meeting the Challenge of Boundary Scan*. GenRad Inc., 300 Baker Ave., Concord, MA 01742-2174.

Ken Parker. *The Boundary Scan Handbook*. Kluwer Academic Publications, (617) 871-6600.

### Summary

This Application Note describes how to implement logic functions using the AND capability of the Universal Interconnect Matrix.

### Xilinx Family

XC7200/XC7300

### Demonstrates

Universal Interconnect Matrix

### Introduction

The Universal Interconnect Matrix (UIM) provides an AND function that can be used in various ways. This Application Note describes how to expand the input capacity of a Function Block, create an OR function using De Morgan's Theorem, and use the UIM as a decoder or signal blocker.

### Using the UIM

#### Function-Block Input-Capacity Expander

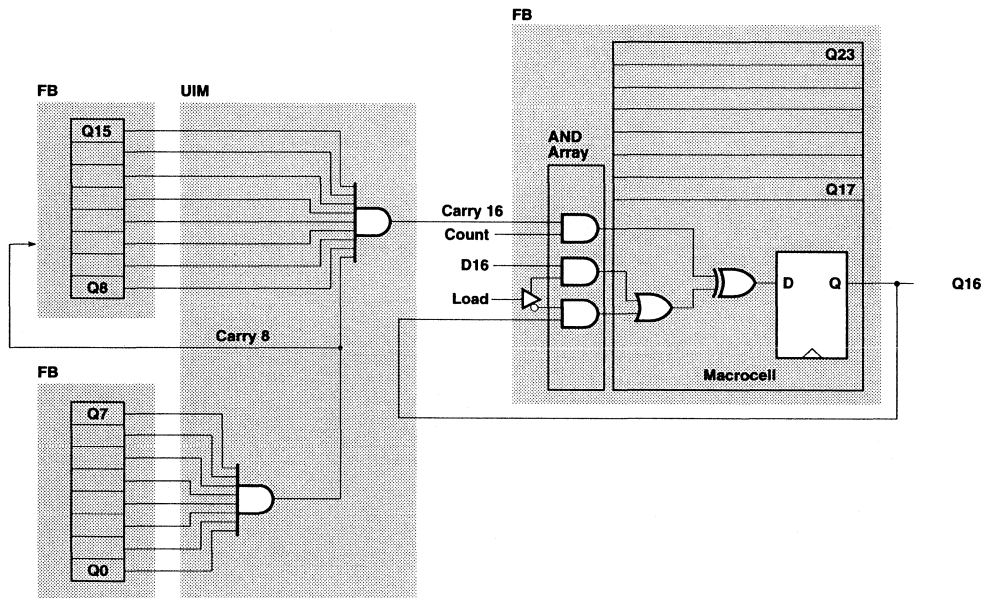
Each function block has 21 inputs from the UIM. When the design equations contain common ANDed terms,

these terms may be factored out and ANDed in the UIM, using the NODE(UIM) declaration. This technique frees up Function Block inputs for use by other signals, as demonstrated by the counter design shown in Figure 1.

The carry signals can be expressed in PLUSASM™ with the following equations.

$$\text{CARRY\_8} = Q0 * Q1 * Q2 * Q3 * Q4 * Q5 * Q6 * Q7$$

$$\text{CARRY\_16} = \text{CARRY\_8} * Q8 * Q9 * Q10 * Q11 * Q12 * Q13 * Q14 * Q15$$



X1816

Figure 1. Function Block Input-Capacity Expansion



### De Morgan OR Gates

The AND function in the UIM can be converted to an OR function using De Morgan's Theorem. Two or more Function Block outputs are inverted into the UIM and ANDed, Figure 2; the result is inverted at the Function Block inputs. Under De Morgan's Theorem, an AND with inverted inputs and outputs is equivalent to an OR.

In PLUSASM, this technique is implemented in two parts. First, a NOR function is created by inverting the inputs to the UIM AND.

$$SUM1\_NOR\_SUM2 = \overline{SUM1} * \overline{SUM2}$$

The inverse of SUM1\_NOR\_SUM2 is then used in subsequent equations.

$$D = \overline{SUM1\_NOR\_SUM2} * \dots$$

$$+ E * F \dots$$

+

### Decoding in the UIM

Figure 3 shows how to use the UIM in the XC7200 as a decoder. The decoder output can feed directly into a Function Block without additional delay.

The PLUSASM equations for the decoder are as follows.

$$U = A * B$$

$$V = \overline{A} * B$$

$$X = A * \overline{B}$$

$$Y = \overline{A} * \overline{B}$$

### Signal Blocker

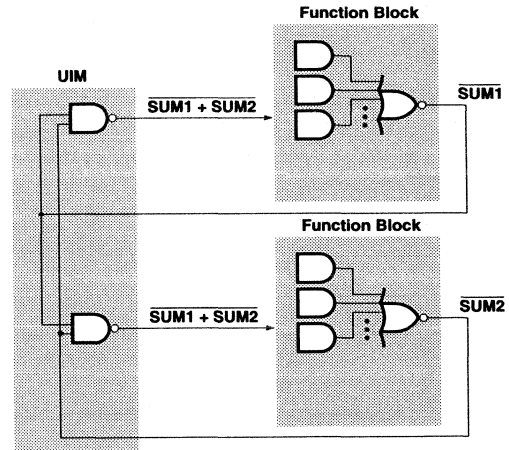
A signal can be enabled or disabled in the UIM by AND-ing it with a control signal, as illustrated in Figure 4.

This operation can be expressed in PLUSASM by the following equations.

$$A = BUS0 * GATE$$

$$B = BUS1 * GATE$$

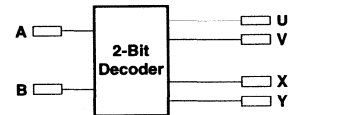
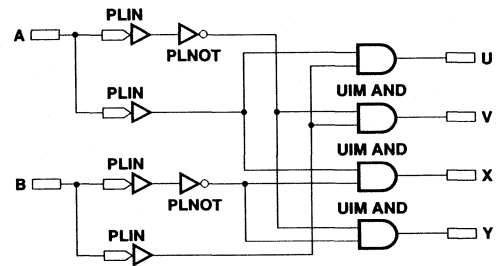
$$C = BUS2 * GATE$$



Functions larger than 16 P-terms split into intermediate sums joined by a negative-logic OR gate in UIM with no speed penalty.

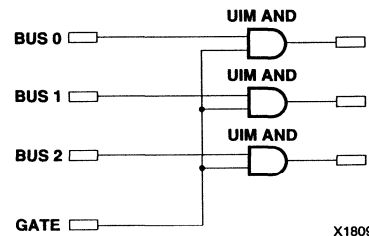
X3212

Figure 2. Implementing a DeMorgan OR Gate



X1810

Figure 3. UIM Decoder



X1809

Figure 4. Using the UIM to Enable/Disable Signals



# Comparison of XC3000 Counter Designs

XAPP 041.001

Application Note By BERNIE NEW

## Summary

This Application Note discusses the functional, performance and density characteristics of the various counter designs available for the XC3000. Differences in these characteristics must be taken into account when choosing the most appropriate design.

## Xilinx Family

XC3000/XC3100

## Introduction

When selecting a counter design for a specific application, there are three primary considerations: does it meet the functional requirements, is it fast enough and could it use fewer LCA resources?

The functional requirements that must be considered include binary/non-binary operation, up, down and up/down counting, loadability, the provision of set/clear, count enable and synchronous operation to permit output decoding. Speed and resource utilization are self-

explanatory, and can often be traded against each other. However, it must be realized that as a counter becomes more complex, it usually becomes both larger and slower.

## Counter Designs

All the counters discussed in this Application Note have predictable binary-count sequences, and are fully synchronous designs. Table 1 summarizes the characteristics of the various counter designs. The same information is shown graphically in Figure 1.

**Table 1. Counter Performance Summary**

**Counter Performance Summary**

	Loadable	Up	Down	Up/ Down	8-Bit		10-Bit		12-Bit		16-Bit		20-Bit		24-Bit		32-Bit	
					MHz	CLBs	MHz	CLBs	MHz	CLBs	MHz	CLBs	MHz	CLBs	MHz	CLBs	MHz	CLBs
<b>XC3100-3</b>																		
XAPP 001		•			173	5	116	8	108	9	107	14	103	17	103	21		
XAPP 002	•	•	•	•	47	8	38	10	37	12	29	16	22	20	22	24		
XAPP 002	•	•	•	•							41	17						
XAPP 003	•	•	•		63	9			52	15	48	20						
XAPP 004		•	•								54	23					37	49
XAPP 004				•							46	27					37	56
XAPP 014		•									204*	24						
<b>XC3000-125</b>																		
XAPP 001		•			81	5	60	8	56	9	57	14	55	17	55	21		
XAPP 002	•	•	•	•	26	8	21	10	21	12	17	16	13	20	11	24		
XAPP 002	•	•	•	•							24	17						
XAPP 003	•	•	•		33	9			29	15	26	20						
XAPP 004		•	•								30	23					21	49
XAPP 004				•							25	27					20	56
XAPP 014		•									95*	24						

\* Estimated

X3200

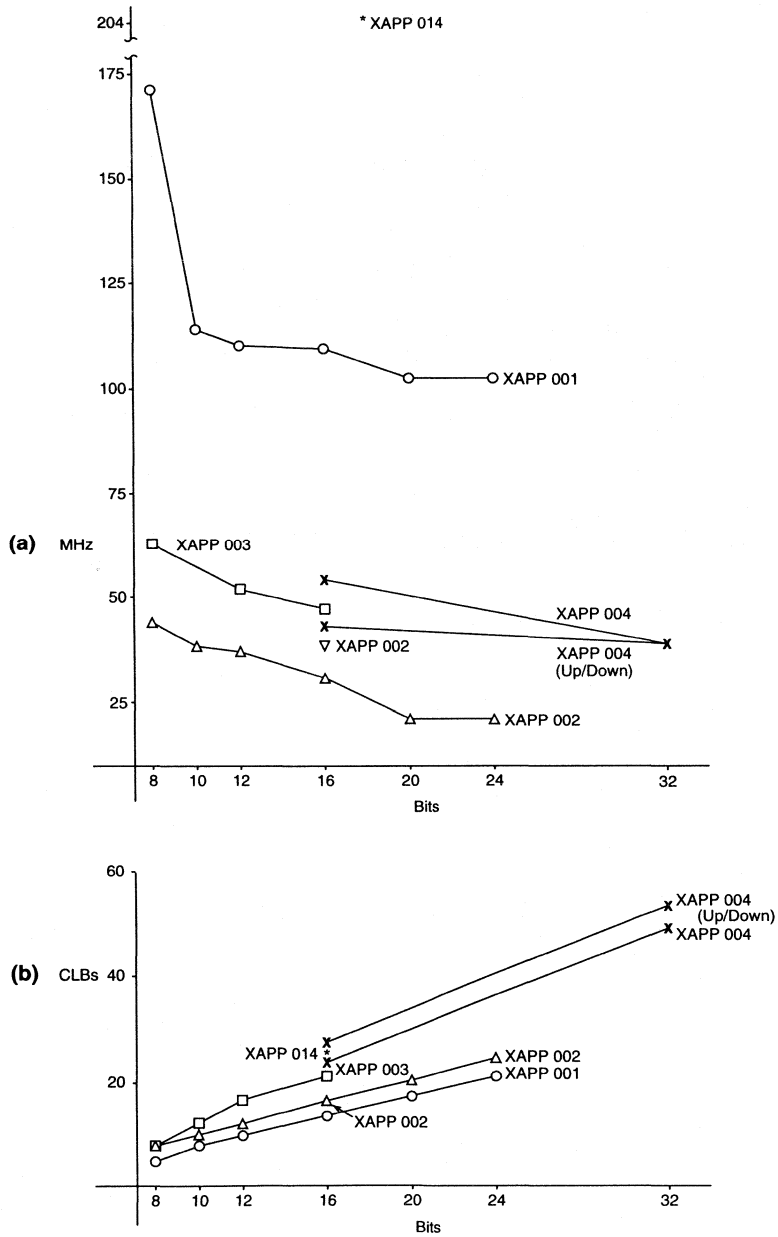


Figure 1. Counter Speed and Density (XC3100)

X3078

### High-Speed Synchronous Prescaler Counter (XAPP 001)

This simple design provides a very basic non-loadable, up counter with a count-enable control. However, this simplicity permits it to be both the densest and the second fastest design.

A prescaler (CEP/CET) technique is used to gain speed, permitting the ripple-carry portion of the counter eight clock periods in which to settle. Without special adaptation, however, this technique precludes loading the counter. As a non-loadable counter, three bits can be implemented in three CLBs (1 CLB/bit), with the least significant six bits requiring only four CLBs; this explains the compactness. Only one  $T_{ILO}$  delay is incurred in the ripple-carry path for each three bits. This permits good speed to be maintained, even in long counters.

It is easy to convert the design into a down counter, but not possible to convert it into an up/down counter.

### Simple, Loadable, Up/Down Counter (XAPP 002)

Being loadable, this counter is unable to benefit from the prescaler technique, and a simple ripple-carry scheme is used throughout. Consequently, it is slower than the above design. The maximum clock frequency is inversely proportional to the length of the counter; the ripple-carry path incurs one  $T_{ILO}$  delay for each two bits.

With two CLBs required for each two bits, the CLB density is similar to the above counter (1CLB/bit). However, there is no equivalent reduction in complexity in the low-order bits, and the design, therefore, requires more CLBs.

The up/down-control logic is incorporated into the carry path, but does not impact the speed or the density; these attributes are determined by the number of outputs rather than the logic complexity. Optimal up counters and down counters can be implemented by simply tying the up/down control to the appropriate logic level. APR will eliminate any redundant logic, but the speed will not improve, nor will the CLB count decrease.

A modification to this counter almost doubles the maximum clock rate by dividing the carry path into two halves. The carry output of the lower half is used as a parallel count enable in the upper half. This use of a parallel count enable should not be confused with the prescaler technique; the carry path must still settle within one clock period. However, with this modification, it settles in approximately half the time. This technique effectively implements a conditional-sum incrementer within the counter.

This modification requires one additional CLB. Enable Clock is used for the parallel count enable, and the extra CLB is necessary to ensure that the clock is enabled during loading.

### Synchronous Presetable Counter (XAPP 003)

In this design, speed is increased by replacing the serial gating of the ripple-carry path with parallel gating. Ideally, with arbitrarily wide gates, the carry-path settling time could be reduced to one gate delay.

However, with limited gate width, the settling time increases logarithmically with counter length; this is still a significant improvement over the linear increase seen previously, especially in longer counters. The additional speed is achieved at the cost of using more CLBs with more complex routing.

The specific implementation in the Application Note is for a modulo-N counter that could be used as a timer. The counter reloads whenever its terminal count is reached. To prevent loading from limiting the counters performance, detection of the terminal count is pipelined, permitting the load operation a full clock period.

The introduction of this pipeline stage essentially prevents the counter from being loaded at an arbitrary time. However, the pipeline could easily be removed for more general counter applications.

### Loadable Binary Counter (XAPP 004)

The loadable binary counter also uses parallel gating to accelerate the carry path. In this case, however, a more structured approach is taken. A fast lookahead-carry technique is used, resulting in a carry path with a consistent depth of gating. Consequently, there are many equally critical paths.

The regular structure lends itself to hand placement when maximum speed is the objective. The irregularity and fewer critical paths of the previous design reduces its dependence on CLB placement. The previous design will, therefore, perform better using the automatic placement tools, and it is possible to improve its performance by re-routing a few critical paths. However, it will not match the performance of the current design when optimally placed.

### Ultra-Fast Synchronous Counters (XAPP 014)

In some applications, such as clock division, the only requirement of a counter is that it count very fast. This counter is designed to fill that need. Compared to the first design described above, this design is approximately twice as fast, but uses almost twice as many CLBs.

The key to its high speed is the use of a prescaler technique, together with an "active Longline" to distribute the parallel count enable. This distribution scheme uses replicated flip-flops to eliminate the delay and depends, for its operation, upon the predictability of the binary sequence.

For a more detailed description of the above designs, see the individual Application Notes.

## Summary

Borrowing the concept of Count-Enable Trickle/Count-Enable Parallel that was pioneered in the popular 74161 TTL-MSI counter, a fast non-loadable synchronous binary counter of arbitrary length can be implemented efficiently in XC3000-series LCA devices. For best partitioning into CLBs, the counter is segmented into a series of tri-bits. Design files are available for 8, 10, 12, 16, 20 and 24-bit versions of this counter.

## Specifications

Length	8	16 Bits
Maximum Clock Frequency		
XC3100-3	173	107 MHz
Number of CLBs	5	14

## Xilinx Family

XC3000/XC3100

## Demonstrates

Fast Counter Technique

## Introduction

Prescaler-counter designs originated with small, high-speed counters used to divide an incoming clock frequency and, thereby, provide a clock to a larger, slower counter. This scheme was adapted for use in cascading the synchronous 74161 counter.

The Terminal Count of the least significant 74161 was used as a parallel clock enable to the remaining counters. This effectively reduced the clock rate to those counters by a factor of 16, allowing their ripple-enable path 16 times longer to settle.

This only worked if the counter was not loaded. If it were, the first parallel enable would typically occur less than 16 clocks after the load. Depending on the value loaded, the ripple-enable path might not have time to settle.

Techniques exist to overcome this problem, but for a non-loadable counter they are unnecessary. This application note describes a 103-MHz 24-bit non-loadable counter, as shown in Figure 1. For optimal CLB usage, the counter is partitioned into 3-bit sections (tri-bits), the first of which acts as the prescaler.

## Operating Description

The least significant tri-bit has a Count-Enable Output (CEO) that is routed to all the Count-Enable-Parallel (CEP) inputs in the rest of the counter.

The Count-Enable Output from any other tri-bit drives the next more significant Count-Enable-Trickle (CET) input. The clock causes any tri-bit to increment only if all its Count-Enable (CE) inputs are active. CEO is active when all three bits are set and CET is High. CEP does not affect CEO.

Using CEP, the least-significant tri-bit stops the remaining counter chain for seven out of eight clock pulses, allowing ample time for the CEO-CET ripple-carry chain to stabilize. The maximum clock rate is determined by the Clock-to-CEO delay of the first tri-bit ( $T_{CKO} + T_{ILO}$ ), plus the CEP input set-up time of the other tri-bits ( $T_{ICK}$ ) and the routing delay of the CEP net.

For a 24-bit counter in a -125 device, this critical delay can be less than 25 ns. The higher tri-bits are not speed critical if they propagate the CET signal in less than eight clock periods, easily achievable for counters as long as 20 tri-bits, i.e. 60 bits.

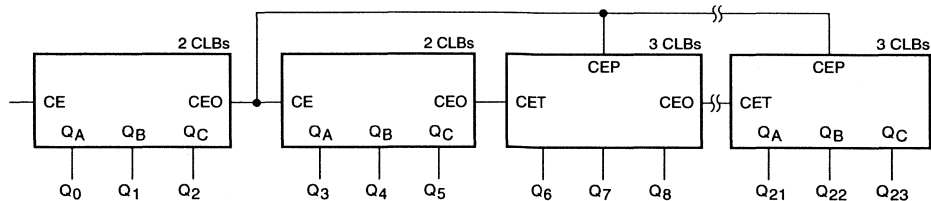


Figure 1. 50 MHz Non-Loadable Binary Counter

As shown in Figure 2, the two least-significant tri-bits fit into two CLBs each. The higher tri-bits have two Count-Enable inputs (CEP and CET), and require three CLBs each.

For faster operation, it is possible to pipeline the CEP, separating into two clock periods the detection of Terminal Count in the first tri-bit and its distribution as CEP. The modification to the first tri-bit is shown in Figure 3. The state before Terminal Count is detected. The flip-flop is set for the duration of the terminal count state.

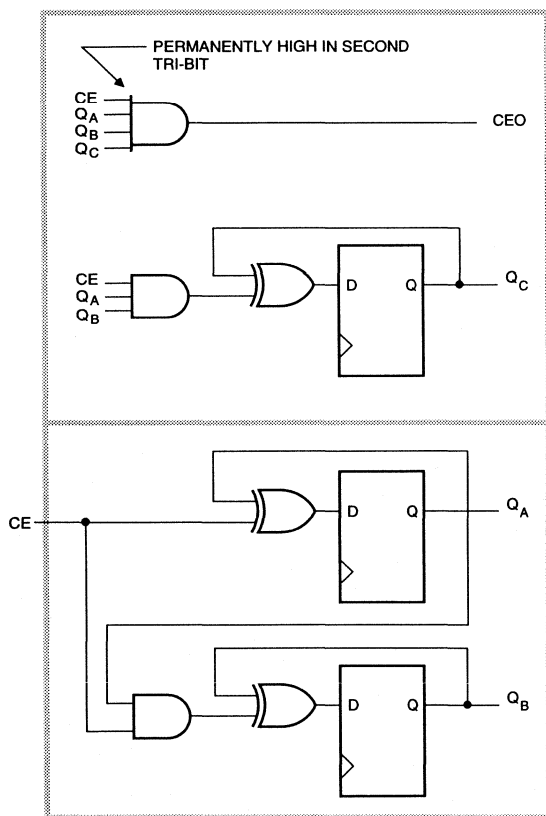
If this modification is used, the CET input to the first tri-bit will no longer act correctly as Count Enable for the entire counter. The EC pin on the CLBs should be used in its place.

Adding this pipeline stage reduces the critical CEP delay to 20 ns, and increases the maximum clock rate to 50 MHz. In an XC3100 the maximum clock rate is 103 MHz.

### Implementation Notes

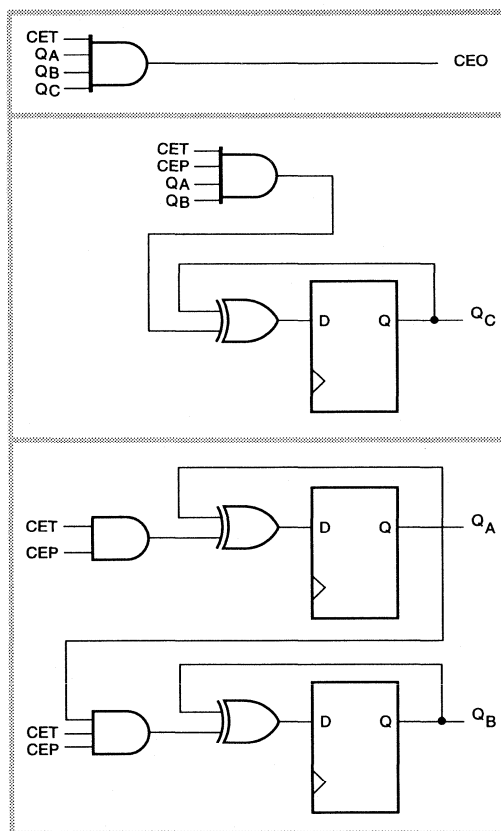
In this counter, the critical delay is the distribution of the CEP signal, and for maximum speed, this should use a Longline. Consequently, the counter should be partitioned using CLBMAPs and should occupy a row or column of CLBs.

Soft macros are available for 8, 10, 12, 16, 20 and 24-bit counters. A READ.ME file accompanying these macros describes the implementation.



X2011A

Figure 2a. First and Second Tri-bits Use Two CLBs Each



X2012A

Figure 2b. All More Significant Tri-bits Use Three CLBs

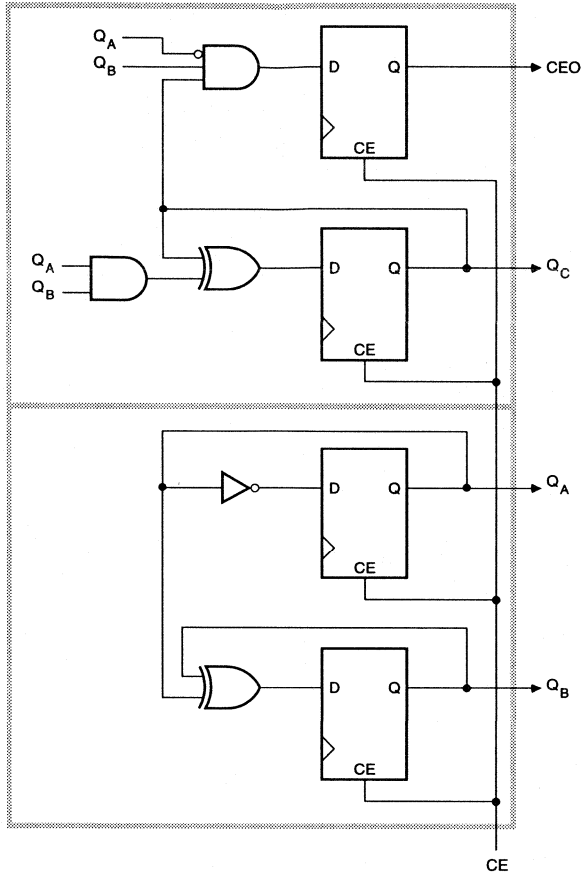


Figure 3. Least Significant Tri-bit with Pipeline

X2014A

## Summary

The 5-input function generator of the XC3000 family CLB makes it possible to build fully synchronous, loadable up/down counters of arbitrary length. These use only one CLB per bit, and the ripple carry delay is only  $1/2 T_{ILO}$  per bit. Design files are available for 8, 10, 12, 16, 20 and 24-bit versions of this counter. A 16-bit higher performance version is also available.

## Specifications

Length	16 Bits
Maximum Clock Frequency XC3100-3	41 MHz
Number of CLBs	17

## Xilinx Family

XC3000/XC3100

## Demonstrates

Simple Counter Technique

## Introduction

Using a ripple-carry technique, this simple counter requires the least number of CLBs of any XC3000 loadable counter. To improve its performance, the counter is partitioned into 2-bit segments. While the maximum clock frequency remains inversely proportional to the number of bits, this partitioning reduces the incremental delay to one  $T_{ILO}$  per bit-pair.

The performance of ripple-carry counters benefits greatly from hand-placement of the CLBs, in that zero-delay direct interconnects can be exploited in the critical carry path. With automatic placement, a more complex counter, with fewer routing delays in the critical path, offers better performance at the expense of using more CLBs.

If only an up counter or down counter is required, the up/down counter may be entered into the schematic with the up/down control tied to a logic one or zero as necessary. APR automatically eliminates the redundant logic to create the up or down counter. In this case, however, the number of CLBs cannot be reduced, but routing resources are conserved. Up and down counter designs obtained in this manner cannot be improved upon if this ripple-carry technique is to be used.

The widely used CEP/CET prescaler technique for speed enhancement cannot be used in counters that are up/down or loadable. Up/down counters might reverse their direction of count at any time, and do not guarantee the ripple-carry chain a sufficient number of clock periods in which to stabilize. Similarly, loadable counters do not guarantee adequate time after a load.

However, some speed improvement may be gained by using CEP and CET. While this improvement is not as large as that offered by a prescaler, the clock rate is

approximately doubled, and the additional resources consumed are minimal.

As shown in Figure 1, the counter is broken into equal halves. For up/down counting and loading, the ripple-carry path in both halves must settle within one clock period, as must the CEP distribution net. This distribution delay is in series with the carry path of the lower bits, and an unequal split might be used to compensate.

## Operating Description

The basic counter cell, shown in Figure 2, uses two CLBs. The first CLB implements two T-type flip-flops. Along with the trigger inputs, these flip-flops have independent data inputs and a shared parallel enable to facilitate loading.

The second CLB implements two bits of the ripple-carry chain. The second carry bit is derived from two counter bits and a carry input. In this way, only one  $T_{ILO}$  delay is incurred per bit-pair. Down counting is achieved by inverting the counter bits into the carry chain. Counters

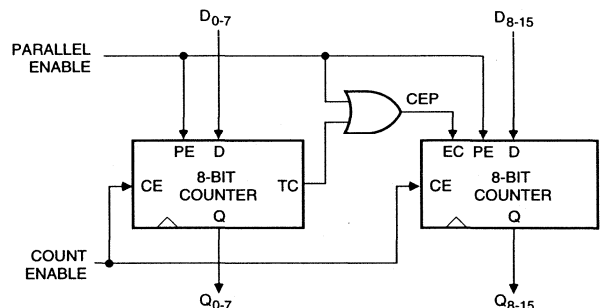


Figure 1. Loadable Counter Using CEP/CET

X1961A



of any length may be implemented by simply cascading as many of these 2-bit cells as necessary.

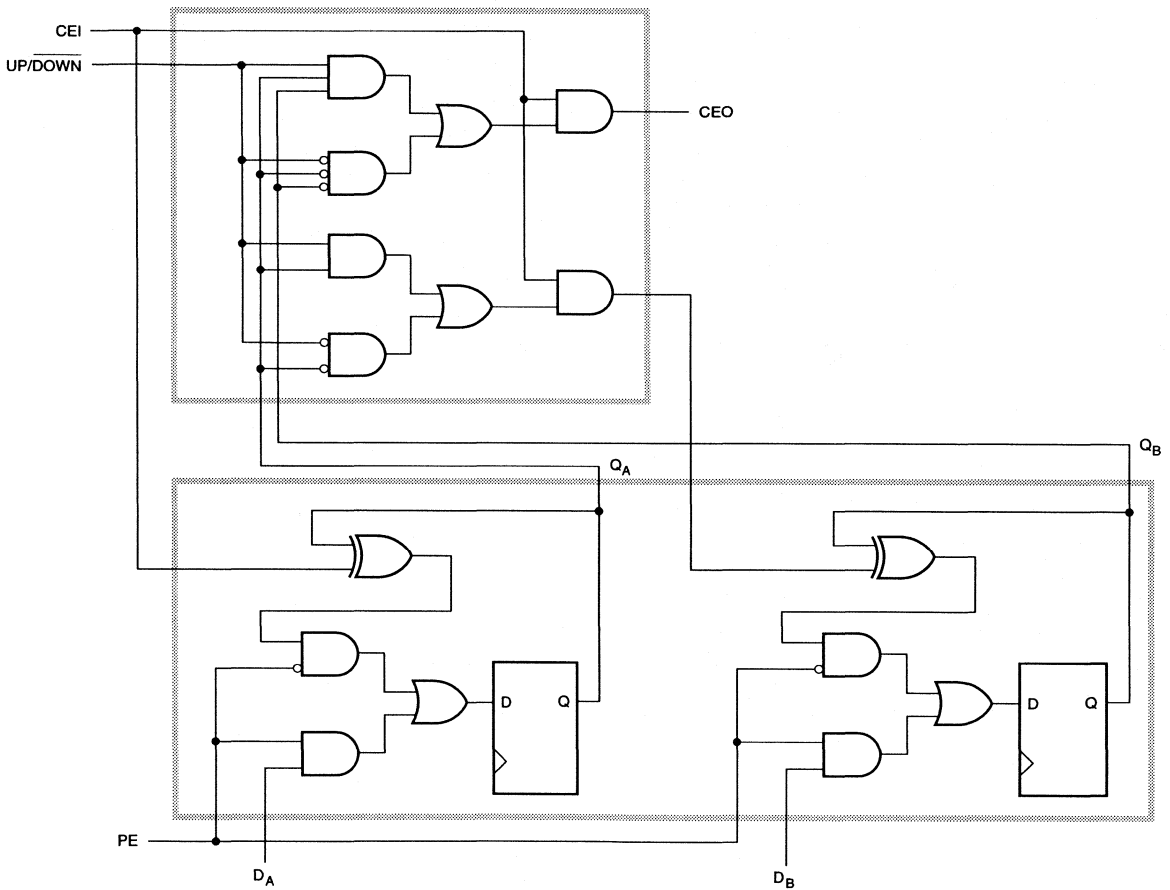
When implementing the CET/CEP version, the EC pin of the CLB is used for CEP. This necessitates an additional OR-gate to enable the clock during loading. If only an up-counter or down-counter is implemented, this OR-gate may be nested into the CLB that generates CEP.

### Implementation Notes

To minimize the ripple-carry delay, the carry CLBs should be adjacent to each other, so that the carry can be propa-

gated on zero-delay direct interconnects. Consequently, the counter should be partitioned using CLBMAPs and should occupy a row or column of CLBs. This organization also permits CEP to be distributed on a Longline, if needed.

Soft macros are available for 8, 10, 12, 16, 20 and 24-bit versions of the basic counter. A 16-bit counter using the CET/CEP technique is also available as a soft macro. A READ.ME file accompanying these macros describes the implementation.



X1962

Figure 2. 2-Bit Counter Cell

## Summary

Presettable synchronous counters are implemented, where the carry path utilizes parallel gating to replace the serial gating found in ripple-carry counters. The result is fewer CLB delays in the critical path, but more CLBs are used and the routing is less regular. Design files are available for 8, 10, 12, 16, 20 and 24-bit versions of this counter.

## Specifications

Length	8	16 Bits
Maximum Clock Frequency	63	48 MHz
XC3100-3		
Number of CLBs	9	20

## Xilinx Family

XC3000/XC3100

## Demonstrates

Fast Counter Technique

## Introduction

In most counters, the maximum operating frequency is determined by the time it takes the carry path to settle after a clock. Given the new state, each bit must decide whether or not to toggle on the next clock. If the information, on which this decision is based, does not reach the bit in time, the counter will malfunction.

In ripple-carry counters, this information is passed from bit to bit through a chain of AND gates. While this structure can be exploited to obtain very fast routing, the delay still becomes prohibitive in longer counters.

The counter described in this Application Note replaces the chain of AND gates with an AND-gate tree. Data must pass through fewer gates to reach its destination and the carry path settles faster.

The irregular structure of the counter makes it difficult to establish an optimum placement. However, the fewer routing delays in its critical path reduce the dependence on good placement. This makes it ideal for use with automated design tools.

The counter detects Terminal Count and loads the value applied to its parallel input. This allows the counter to operate with any modulus. Two versions of the counter are described: an up counter and a down counter.

## Operating Description

An 8-bit version of the counter is shown in Figure 1. The basic counter cell is two loadable T-type flip-flops implemented in a single CLB. The trigger inputs are driven from the array of AND gates, that combine all lower bits into a trigger input. In the 8-bit case, there are no more than two levels of AND gates.

A point of interest is the pipelined Terminal Count. Instead of detecting all ones, a value is detected one count earlier, and a flip-flop is set during the all ones state. Normally, TC must settle and be distributed as

Parallel Enable within one clock period. The pipeline separates these two functions, and increases the maximum clock rate.

There is one trivial disadvantage to using this pipeline: if the counter is loaded with all ones, it does not load again on the following clock. Instead, it rolls over to all zeros and counts until it again reaches terminal count.

The TC pipeline flip-flop is provided with a Reset. This is intended for use immediately after power-up. It eliminates the potentially long delay before the first TC. Until the first TC, the counter cycle is not controlled by the load value.

Figure 2 shows how the counter may be converted to a down counter. The only change is to invert all the inputs to the AND gates, including the 1-input AND gate that drives the trigger input of bit 1. This inversion is absorbed into the counter cell.

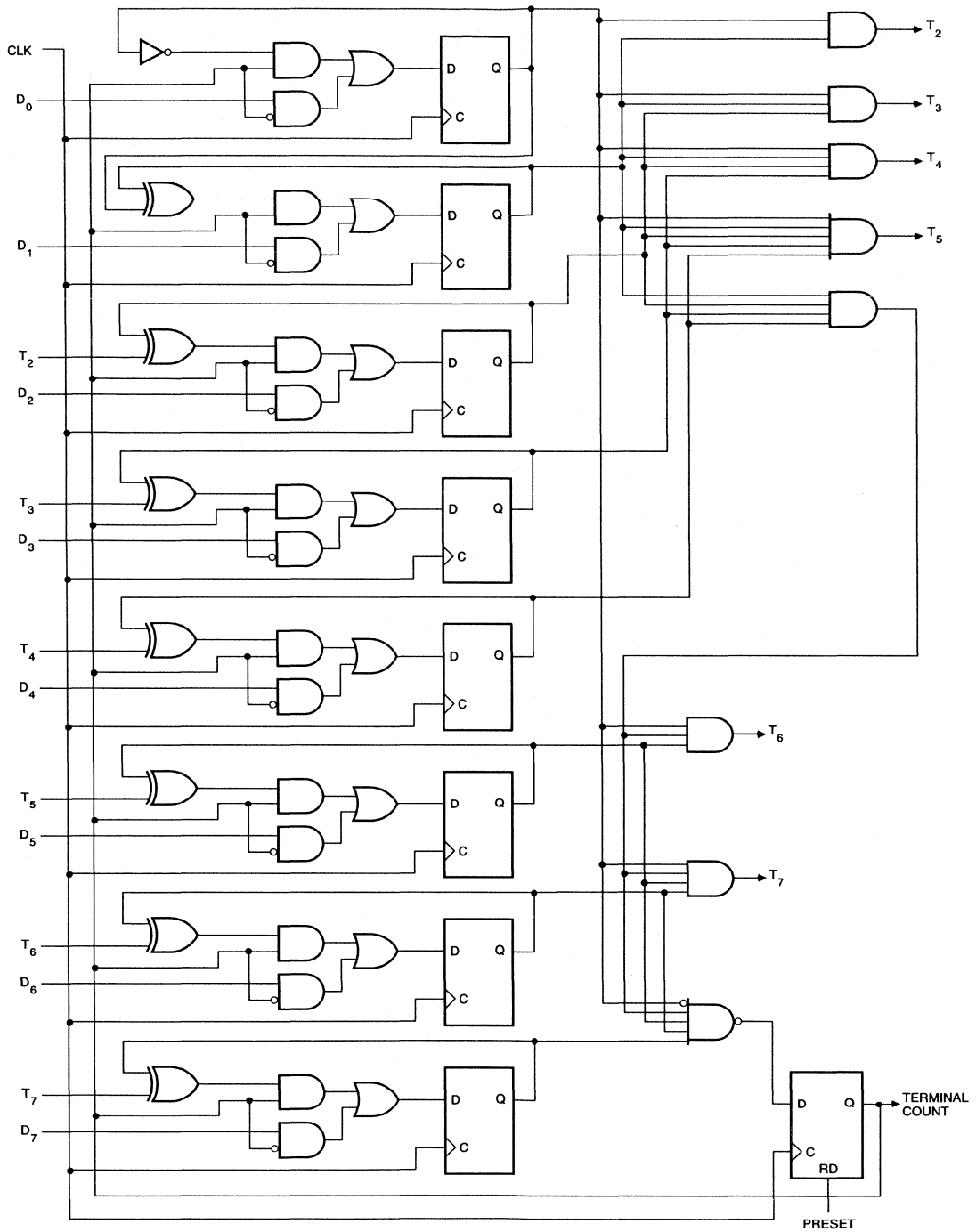
## Implementation Notes

For optimum partitioning, this counter should be implemented using CLBMAPs. Soft macros are available for 8, 12 and 16-bit up counters and down counters. A READ.ME file accompanying these macros describes the implementation.

## Enhancements

The counter may be modified such that it may be loaded at any time, not just at Terminal Count. The Load command is used to reset the TC pipeline flip-flop. This causes the active-Low Parallel Enable to be asserted and the counter loads on the next clock pulse.

However, this technique must be used cautiously. If the flip-flop is reset when the count is one before TC, the Parallel Enable is asserted for two clocks. If this situation cannot be avoided, the active-Low Parallel Enable must be ANDed with Terminal Count at the input to the flip-flop, thus ensuring that a second load cannot occur.



X1963

Figure 1. Presettable Up Counter

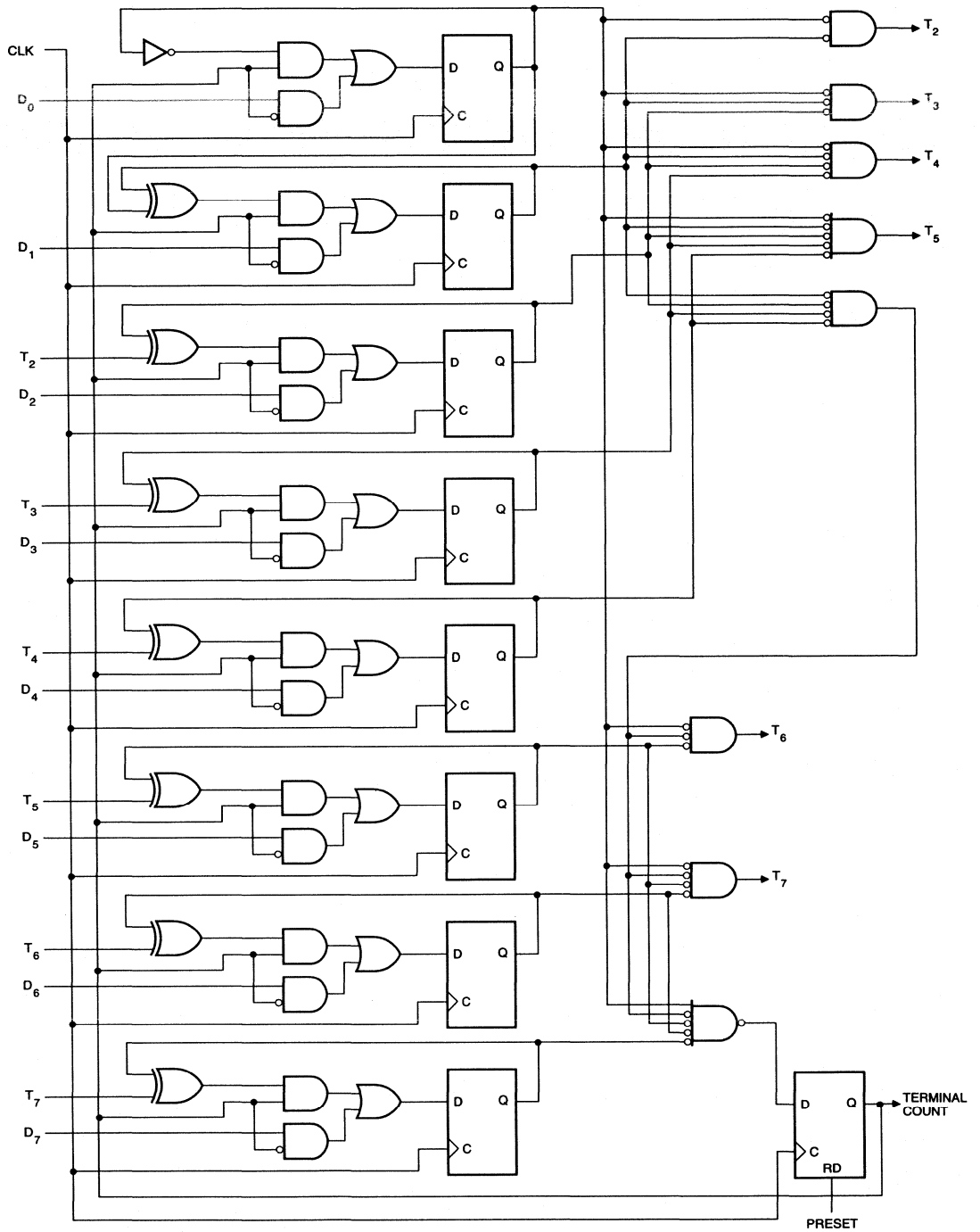


Figure 2. Presettable Down Counter

X1964

## Summary

The design strategies for loadable and non-loadable binary counters are significantly different. This application note discusses the differences, and describes the design of a loadable binary counter. Up, down and up/down counters are described, with lengths of 16 and 32 bits. Design files are available for all six versions.

## Specifications

Length	16 Bits
Maximum Clock Frequency XC3100-3	54 MHz
Number of CLBs	23

## Xilinx Family

XC3000/XC3100

## Demonstrates

Fast Counter Technique

## Background

When designing a non-loadable counter, the fastest designs use some form of prescaler technique to exploit the fact that the more significant bits toggle much more slowly than the less significant bits.

The carry chain for the first few bits of the counter can usually be implemented in parallel and is very fast. However, the carry chain for the more significant bits usually requires multiple levels of gating and is much slower. Using prescaler techniques, the counter can operate at the speed of the less significant bits, by giving the more significant bits several clock periods in which to settle.

Typically, a 2- or 3-bit prescaler generates a high-speed count-enable signal that is broadcast through the more significant bits every four or eight clocks. In between these enables, the more significant bits are stable; the carry chain for these bits, therefore, has four or eight clock periods in which to settle, instead of one.

These techniques depend upon the predictability of the binary sequence, and the implied low-speed operation of the more significant bits. When a counter is loaded, however, the binary sequence is disturbed, and its predictability is lost. To ensure correct operation following a load, the carry chain for the entire counter must settle before the next clock.

This reduces the speed of a prescaler counter significantly. Its operating frequency becomes constrained by the slow more significant bits rather than by the fast prescaler.

There are techniques such as pulse-swallowing and state-skipping that can be used to load a prescaler counter without loss of speed. However, these result in non-binary operation for a short time after loading, and some load values are not permitted.

## Loadable Binary Up Counter

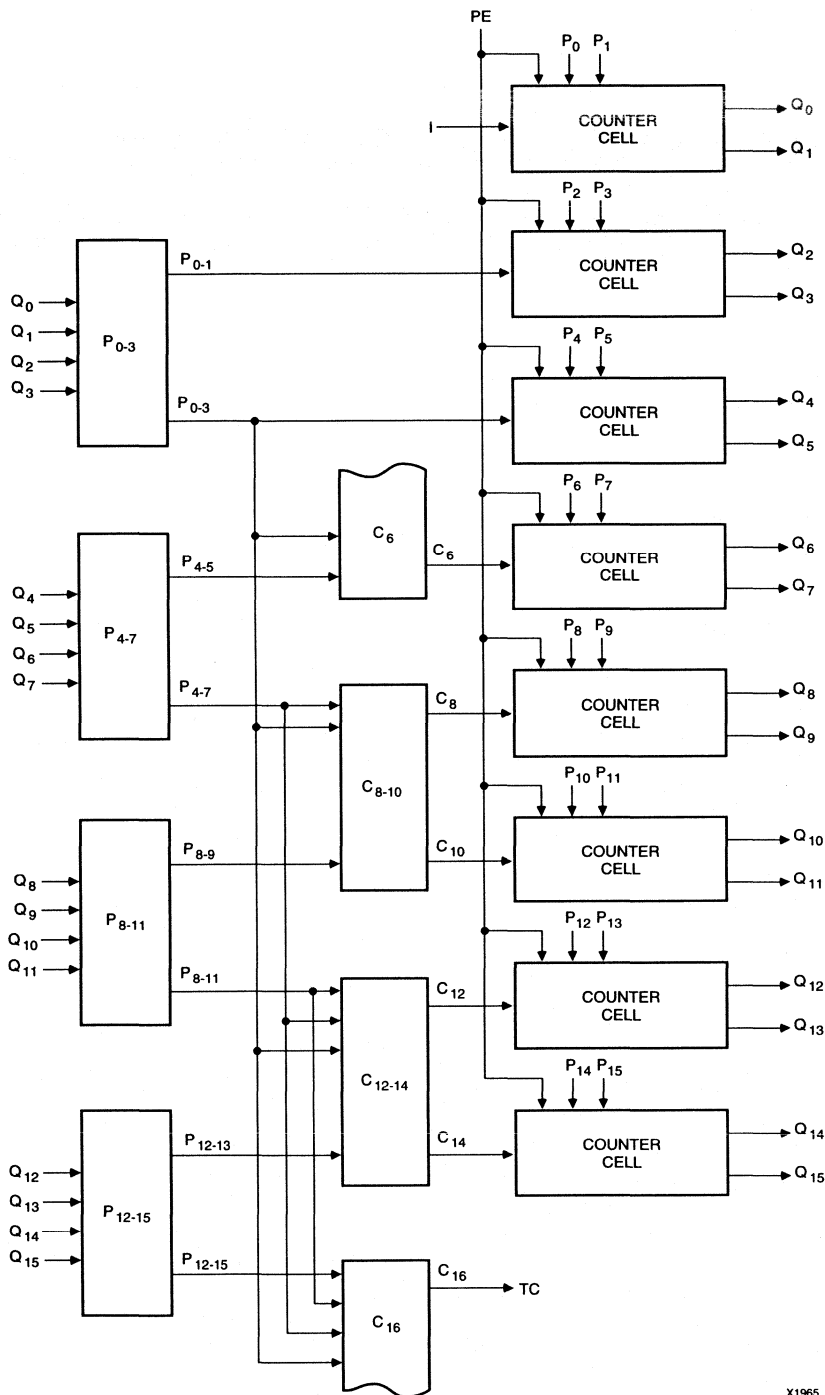
When designing a loadable binary counter, emphasis must be placed on balancing the carry delays. Unlike the prescaler counter, high-speed paths are of no benefit, and slow paths cannot be hidden. Figure 1 shows a good example of a loadable binary counter.

This counter is based on a 2-bit cell, as shown in Figure 2. The two bits are implemented in two CLBs, using loadable T-type flip-flops. Only one carry-in is required, the second carry-in being derived within the cell. The CLB clock enable may be used as Count Enable; however, the bits cannot be loaded while disabled. To overcome this, Parallel Enable must be ORed into the Count Enable line.

To form the carry chain, output bits are ANDed into groups of two and four, using the propagate cell shown in Figure 3. The propagate outputs are then ANDed together to form the even carries, according to the formulae of Table 1. Carries to the odd-weighted bits are generated within the counter cell.

With the exception of the trivial less significant bits, all carry delays comprise two levels of combinatorial CLB. This is longer than the direct paths from the less significant bits found in prescaler counters. However, prescaler counters typically have longer more-significant-bit delays, which is the chief speed constraint of a loadable counter.

The partitioning of the carry logic into the CLBs allows the counter to be implemented in an N-shaped configuration. A suggested placement of the CLBs is shown in Figure 4. Restricting the carry chain to a 2 x 4 block of CLBs minimizes the routing delays among them. With this organization, simulations show the counter will operate at 54 MHz.



X1965

Figure 1. 16-Bit Loadable Binary Counter

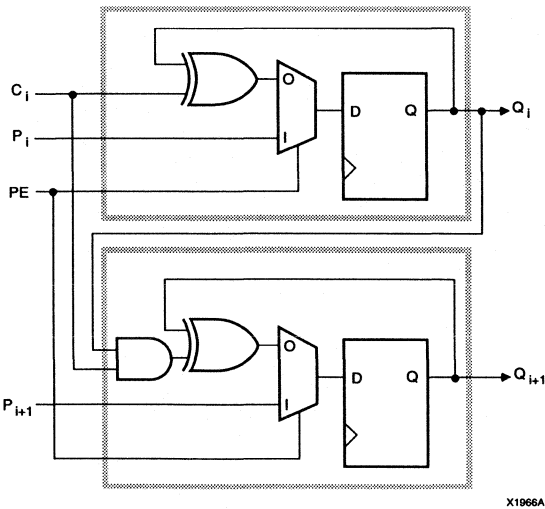


Figure 2. 2-Bit Counter Cell

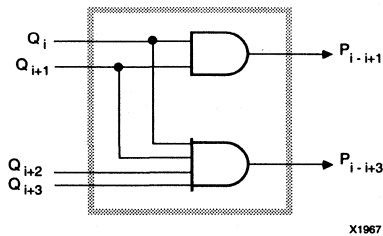


Figure 3. Propagate Cell

For an 18-bit counter,  $C_{16}$  may be used as carry-in to bits 16 and 17, as shown in Figure 5. Additional TC logic must also be included. This extension does not involve additional levels of logic, but may incur additional routing delays.

The 18-bit counter may easily be extended to 32 bits by replicating bits 4 through 17, and using TC/ $C_{18}$  in the upper section in place of what was  $P_{0-3}$ . This entails one additional combinatorial delay, which reduces the maximum operating frequency to 37 MHz.

If this additional delay is unacceptable, two 16-bit counters may be concatenated, using  $C_{16}$  as the clock enable to the counter bits in the upper half. However, this creates two problems. Clock enable can no longer be used to provide count enable, and the counter may only be loaded when the lower half is at terminal count.

Both of these problems can be overcome separately, but not together. If  $C_{16}$  is moved to a separate CLB, a fifth input may be added. This could be Count Enable, which should be ANDed with the existing  $C_{16}$ , or Parallel Enable which should be ORed with it.

$$C_6 = P_{0-3} \cdot P_{4-5}$$

$$C_8 = P_{0-3} \cdot P_{4-7}$$

$$C_{10} = P_{0-3} \cdot P_{4-7} \cdot P_{8-9}$$

$$C_{12} = P_{0-3} \cdot P_{4-7} \cdot P_{8-11}$$

$$C_{14} = P_{0-3} \cdot P_{4-7} \cdot P_{8-11} \cdot P_{12-13}$$

$$C_{16} = P_{0-3} \cdot P_{4-7} \cdot P_{8-11} \cdot P_{12-15}$$

X2652

Table 1. Carry Logic Equations

$Q_0$	$Q_1$		$C_{8/10}$	$Q_8$	$Q_9$
$Q_2$	$Q_3$	$P_{0-3}$	$P_{8-11}$	$Q_{10}$	$Q_{11}$
$Q_4$	$Q_5$	$P_{4-7}$	$P_{13-15}$	$Q_{12}$	$Q_{13}$
$Q_6$	$Q_7$	$C_{6/16}$	$C_{12/14}$	$Q_{14}$	$Q_{15}$

X1969A

Figure 4. CLB Placement

### Loadable Binary Down Counter

If the counter bits are viewed as T-type flip-flops, the purpose of the carry chain is to determine which bits of the counter are to be toggled. For an up counter, a contiguous group of bits is toggled, starting with the least significant bit and extending up to, and including, the first zero. For a down counter, this group extends up to, and includes, the first one. The operation of the carry chain is the same in each case, but with the role of input ones and zeros reversed. Consequently, an up-counter may be converted into a down counter by simply inverting the output bits into the carry chain.

This requires two modifications to the up counter. First, all inputs to the propagate cells must be inverted, as shown in Figure 6. Second, the counter cell must be modified so that the direct path from the even bit to the odd bit becomes inverting, as shown in Figure 7. In all other respects, the counter remains the same. Performance and expandability are unaffected.

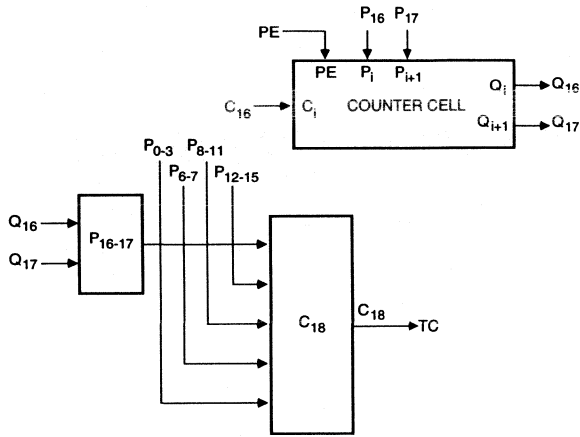


Figure 5. Extension to 18 Bits

X1970

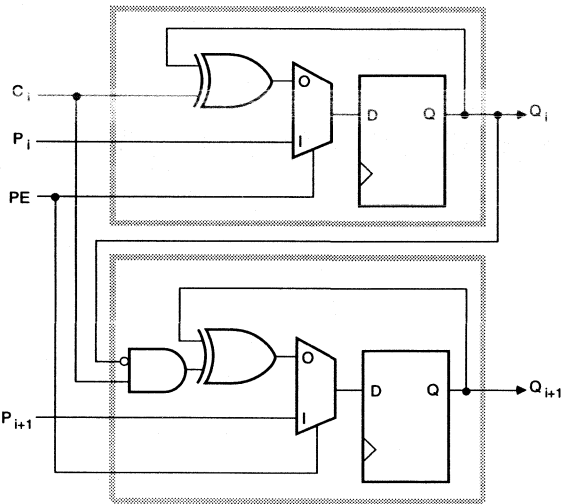


Figure 7. 2-Bit Down-counter Cell

X1972A

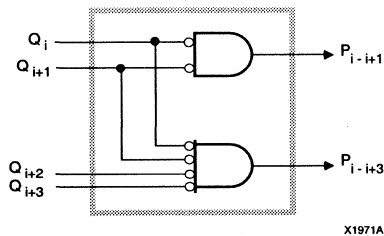


Figure 6. Down-counter Propagate Cell

X1971A

### Loadable Binary Up/Down Counter

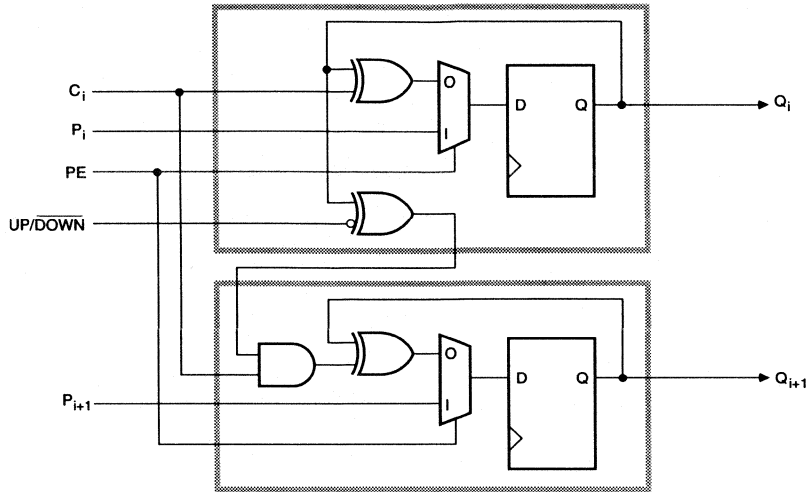
To create an up/down counter, simply make the above inversions programmable. For the counter bits, this is not a problem. An XOR gate is placed in the direct path, as shown in Figure 8.

The propagate cells are more of a problem. The 2- and 4-input functions become 3- and 5-input when the up/down control is added; they can no longer share a single CLB.

The propagate cells must be split in two CLBs each, and the 3-input functions combined if necessary. Two or four additional CLBs are required, and additional routing delays might be created due to the higher fan-outs and the longer signal paths among the greater number of CLBs.

This design results in 16-bit up/down counters that operate at 46 MHz, and 32-bit up/down counters that operate at more than 37 MHz





X1973

Figure 8. 2-Bit Up/Down-counter Cell

## Summary

This fully synchronous, non-loadable, binary counter uses a traditional prescaler technique to achieve high performance. Typically, the speed of a synchronous prescaler counter is limited by the delay incurred distributing the parallel Count Enable. This design minimizes that delay by replicating the LSB of the counter. In this way even the small Longline delay is eliminated, resulting in the fastest possible synchronous counter.

## Specifications

	XC4000 (-5)	XC3100 (-3)	XC3000 (-125)
Counter Length	16	16	16 Bits
Maximum Clock Frequency	111	204	95 MHz
Number of CLBs	17	24	24

## Xilinx Family

XC3000/XC3100  
XC4000

## Demonstrates

Ultra-fast Counter Design

## Introduction

The use of a prescaler is a common technique for improving counter performance. Originally, a small high-performance counter was used to divide an incoming clock, thus providing a slower clock to a larger, lower-performance counter. This technique has since been adapted to synchronous counters.

In a synchronous counter, the first few bits of the counter are decoded to create a parallel Count Enable (CEP). This clock enable is used to reduce the effective clock rate. The carry chain in the more significant bits is, thereby, allowed several clock periods in which to settle. However, using this technique results in a counter that, without further adaptation, is non-loadable.

Typically, in the LCA implementation of such a counter, the critical delay is the generation and distribution of CEP. This delay can be shortened by pipelining CEP and using a high-speed Longline for its distribution. However, where ultimate speed is the objective, even the relatively small Longline delay can be eliminated.

To eliminate this delay, the LSB of the counter is replicated to create an "active Longline." This involves locating an LSB replica immediately adjacent to each bit in the counter. In counter organizations where one CLB provides the flip-flops for two counter bits, the number of replicas required is approximately half the number of bits in the counter.

In XC3000 designs, direct interconnect can be used between the LSB replicas and the counter bits. This results in an effective distribution delay of zero. In XC4000 designs, the residual routing delay is minimal.

## Implementation

### XC3000

The XC3000 design for the ultra-fast counter is shown in Figure 1. This design uses two parallel count enable signals,  $Q_0$  and CEP2.  $Q_0$  acts as a 1-bit prescaler, halving the effective clock rate in the rest of the counter. It is the distribution of  $Q_0$  that is critical, and depends upon replication.

Even with the effective clock rate halved, it is necessary to use a second 2-bit prescaler for any significant length of counter. The parallel count enable signal (CEP2), generated by this second prescaler, occurs once every eight clock cycles. Reducing the effective clock rate by a factor of eight permits the use of a simple ripple carry scheme for the remaining bits of the counter. The  $Q_0$  prescaler allows two clock cycles for the distribution of CEP2, and a Longline is adequately fast.

Except for the  $Q_1$  flip-flop, the column of CLBs on the left consists entirely of replicated LSBs. Only one flip-flop, at the top of the column, is configured to toggle. The remaining flip-flops in the column act as slaves to this one master flip-flop.

These slave flip-flops are organized as a shift register with inverters between stages. At each stage there is a pair of flip-flops ( $QX_0$  and  $QY_0$ ) contained within a single CLB. The two flip-flops operate in parallel. This duplication permits both vertical direct interconnect to the next stage, and horizontal direct interconnect to the counter bits.

The first stage toggles by continuously loading the inverse of its current state. Stage two loads the inverse

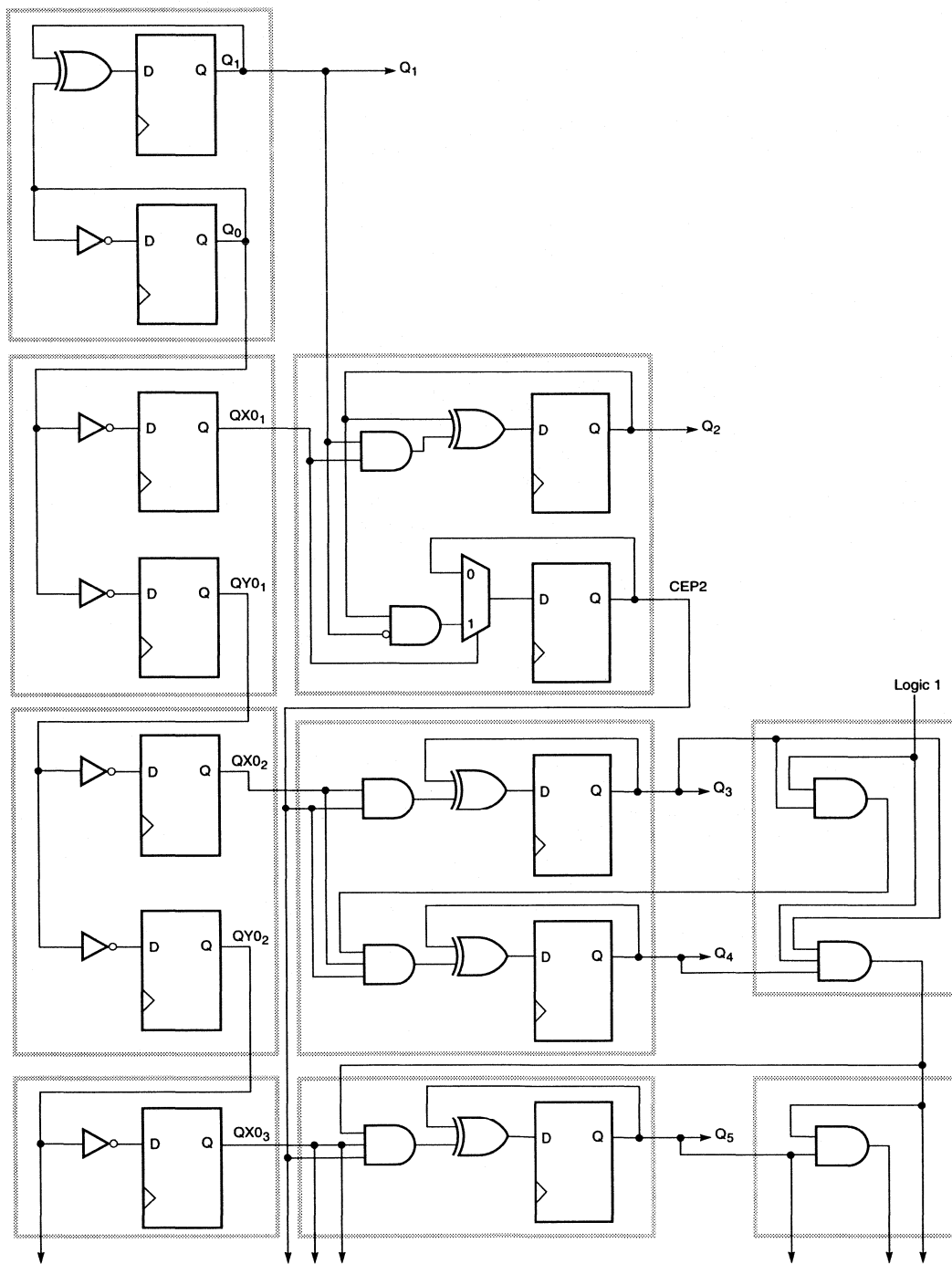


Figure 1. X3000 Ultra-Fast Counter

X3203

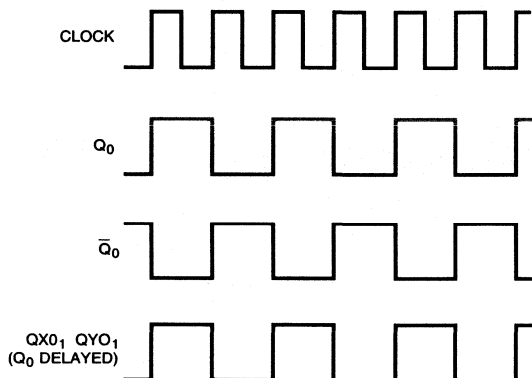
of stage one, delayed by one clock period. Given that stage one is toggling, this combination of inversion and delay causes stage two to operate in synchronism with stage one, as shown in Figure 2. Similarly, stage three operates in synchronism with stage two, and so on. This slave mode of operation guarantees that all N stages will operate in synchronism after no more than N-1 clocks, regardless of their initial state.

To avoid unnecessary loading on the direct interconnects, the Q0 output is taken from the last stage of the shift register. Otherwise, the additional loading would cause a small increase (~0.1 ns) in the direct interconnect delay, and this would reduce the maximum clock frequency by ~1 MHz.

The second prescaler, Q<sub>1</sub> and Q<sub>2</sub>, is a simple 2-bit counter, enabled by Q<sub>0</sub>. CEP2 is High for two clock periods while Q<sub>1</sub> and Q<sub>2</sub> are both High. The CEP2 pipeline flip-flop is also enabled by Q<sub>0</sub>. In this way, CEP2 changes at the same time as Q<sub>1</sub> and Q<sub>2</sub>, and each has two clock periods in which to set up. CLB input constraints require that Q<sub>2</sub> be externally routed to the CEP2 decoder.

The remaining bits of the counter use a ripple-carry scheme. Pairs of bits are implemented together, using two CLBs per pair. One CLB provides the two flip-flops, and is placed adjacent to a Q<sub>0</sub> CLB to exploit the direct interconnect. The second CLB implements the carry chain, with each pair of bits adding one T<sub>ILO</sub> delay. To minimize the cumulative delay and maximize the counter length, direct interconnect should also be used in the carry path.

With all critical delays reduced to a clock-to-output delay plus a set-up time, with no routing delay, the minimum clock period is 10.5 ns (95 MHz). The ripple-carry delay in the more significant bits in an XC3000-125 counter is approximately 15 ns plus 5.7 ns per bit-pair. With the counter running at its minimum clock period, the carry chain has 84 ns in which to settle. This will permit up to 12 bit-pairs in the ripple carry path. A counter running at the maximum speed can, therefore, have up to 27 bits including the prescalers.



X1794A

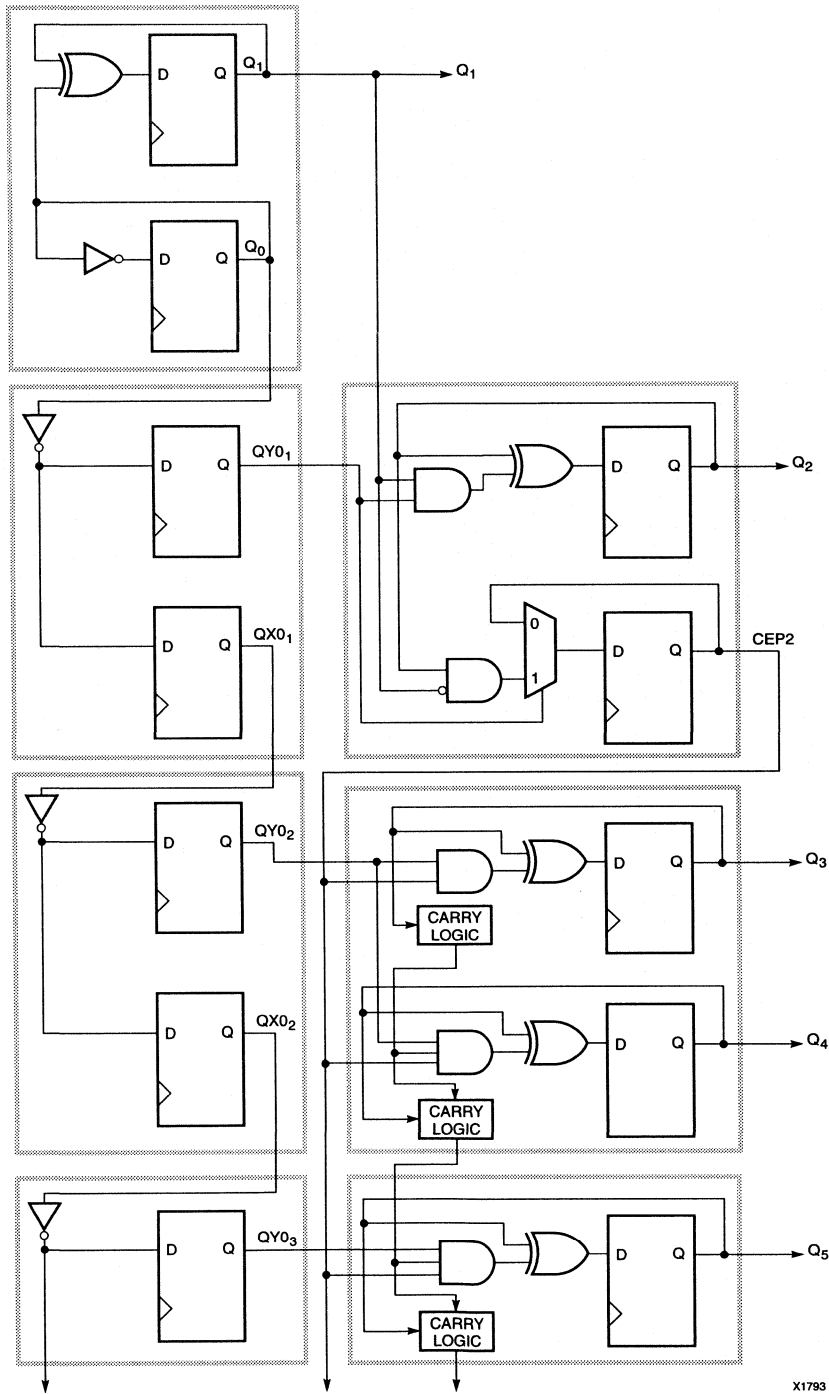
Figure 2. Operation of LSB Shift Register

**XC4000**

The XC4000 design, shown in Figure 3, is very similar to the XC3000 design. The principle difference is that the dedicated carry logic can be used in the more significant bits of the counter.

To maximize the performance, all critical paths are restricted to single-length interconnects, only one of which is driven from any output. This again requires that pairs of flip-flops be used in each stage of the LSB shift register. Using double-length interconnects or driving multiple single-length lines, the number of flip-flops can be reduced, with only a slight loss of performance.

The minimum clock period is the clock-to-output delay plus routing delay and set-up time. With the interconnection strategy described above, this can be kept below 9 ns (111 MHz). The ripple-carry delay in the more significant bits is 13 ns plus 1.5 ns per bit-pair. The 72 ns available permits a theoretical maximum counter length of 87 bits. In practice, the number of bits will be limited by the loading on the Long line distributing CEP2. The available time should allow counters in excess of 20 bits long to be constructed.



X1793

Figure 3. XC4000 Ultra-Fast Counter

## Summary

The XC4000 dedicated carry logic provides for very compact, high-performance counters. This Application Note describes a technique for increasing the performance of these counters using minimum additional logic. Using this technique, the counters remain loadable.

## Xilinx Family

XC4000

## Demonstrates

Dedicated Carry Logic  
High-performance Counter Design

## Introduction

The dedicated carry logic in XC4000 LCA devices provides a mechanism for very fast and efficient counters. While the ripple-carry scheme appears simplistic, the hardware implementation of the dedicated carry logic is very fast, and requires few CLBs. In fact, the implementation is so efficient that it defeats most attempts to replace it. It is possible, however, to augment the operation of the carry logic and obtain higher performance.

To reduce the ripple-carry delay, the effective length of the carry path must be shortened. This is achieved by dividing the counter into two sections that settle in parallel, as shown in Figure 1. The carry output of the less-significant section provides a parallel Count Enable (CEP) to the more-significant section.

The carry delay is reduced to the settling time of the more significant section, or the settling time of the less significant section plus the subsequent routing and countenable times, whichever is greater. For optimum

performance, these times should be balanced, requiring that the counter be divided into two unequal parts.

The use of CEP does not imply that these are prescaler techniques. In a prescaler counter, CEP is typically decoded from the least significant two or three bits. The CEP signal is then used to enable the remaining bits, such that their effective clock rate is one fourth or one eighth of the actual clock rate. This allows multiple clock periods for the remaining bits to settle, and the whole counter can be operated at the speed of the prescaler.

Using the prescaler technique, it is not possible to load the counter and guarantee that it will count correctly on the following clock cycle. The carry chain in the more significant bits is designed to settle in multiple clock periods. If the loaded data causes these bits to be enabled on the clock following the load operation, the carry path will not, in general, have had adequate settling time. Depending on the value loaded, it might not be possible to resume counting for several clock periods after the load operation.

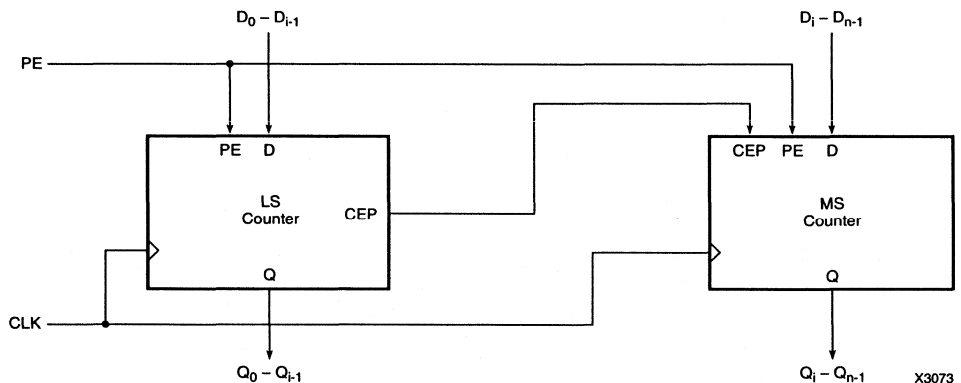


Figure 1. Accelerated N-Bit Counter

The acceleration technique described in this Application Note does not depend upon carry chains having multiple clock periods in which to settle; the entire carry chain settles within one clock period. However, the clock period is reduced because parallelism is introduced into the carry chain. The improvement is not as dramatic as with a prescaler, but loadability is retained.

Two versions of the technique are described below. One version uses two dedicated carry-logic chains, and is increasingly effective in longer counters. For shorter counters, a second version uses CLBs for the less significant section, and decreases the clock period by a fixed amount (1.5 ns in an XC4000-5). While the benefit from this second version is small, it can sometimes be crucial. Figure 2 illustrates the benefits derived from the two versions. In either case, one additional CLB is required to accelerate the counter.

**Operating Description**

**Long-Counter Version**

To accelerate long counters, the carry chain must be divided into two unequal parts. The less significant section should be shorter to accommodate the distribution and set-up times of CEP. For optimum performance, each section of the counter should contain an odd number of bits.

If the counter length is an exact multiple of four, the more-significant section should be 10 bits longer than the less-significant section. A 32-bit counter, for example, should be split into sections of 11 and 21 bits.

This split creates a 7.5-ns difference in settling times to accommodate the additional delay. The set-up time is 4 ns, and consequently, 3.5 ns is available for routing. A Longline should easily meet this requirement, leaving the speed controlled by the more-significant section of the counter.

As described in the Application Note, Estimating the Performance of XC4000 Adders and Counters (XAPP 018), the estimated minimum clock period for an N-bit counter is the following.

$$t_{CLK-CLK} = 13 + 0.75N \text{ ns}$$

Assuming that the speed of the accelerated counter is determined by the more-significant section, this reduces to the following.

$$t_{CLK-CLK} = 17.5 + 0.375N \text{ ns}$$

As a result, the clock period of a 32-bit counter is reduced from 37 ns to 29.5 ns.

For counters with an even length that is not divisible by four, the more-significant section should contain eight

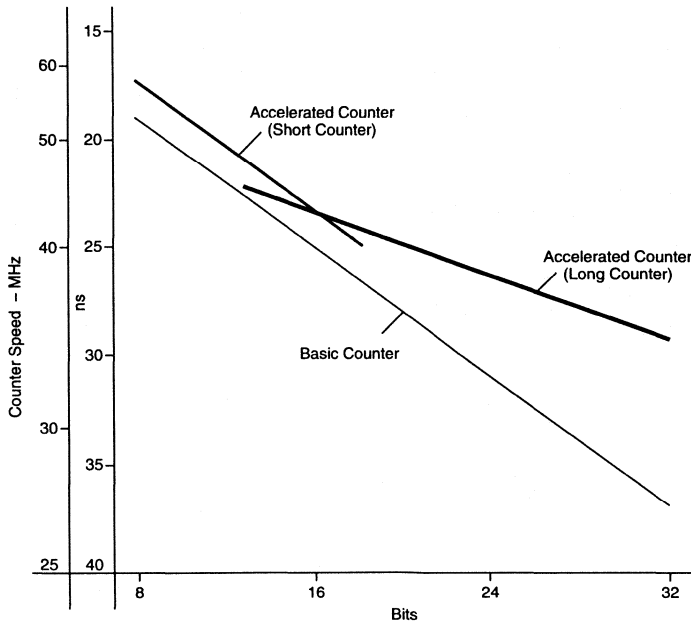


Figure 2. Counter Speed Comparison (Max Speed vs Counter Length)

X3074

more bits than the less-significant section. In this case, the speed of the counter will be controlled by its less significant section plus the additional CEP delays. While the minimum clock period is no longer as well-defined, it is again approximated by the above formula.

Splitting the counter into odd-length sections, one function generator is available in each section. As shown in Figure 3, these function generators can be used to generate CEP and Terminal Count (TC). To permit this, they should be G function generators, and share CLBs with the MSBs of each section.

The CEP signal uses CLB Enable Clock pins to control counting in the more significant section. Consequently, it must be forced to a one while the counter is being loaded. CEP is, therefore, defined as  $C_{OUT0} + PE$ .

The carry input to the more-significant section of the counter is forced to a one, and the carry chain in this section is independent of the less significant bits. In order for TC to reflect the state of the entire counter, it must be generated as  $C_{OUT0} * CEP$ .

One benefit of this counter is that TC is available without additional time delay or CLB cost. The CLB count of the accelerated counter matches that of the unaccelerated counter if TC is generated. If TC is not required, the unaccelerated counter can be one CLB smaller.

### Short-Counter Version

For counters shorter than 16 bits, the following design should be used. It is based on the same fundamental approach as the counter described above, but offers greater benefit in short counters.

As shown in Figure 4, the less significant section of the counter is two bits long, and is implemented using function generators instead of the dedicated carry logic. The more significant section of the counter is N-2 bits long and is implemented using the carry logic.

As in the previous design, CEP is forced to a one while the counter is loaded. This permits the enable clock pin to be used as Count Enable with the Parallel Enable taking priority.

The 1.5-ns performance advantage requires that the counter speed be dominated by the more significant section, which is two bits shorter than the unaccelerated counter and, therefore, faster. With good routing, this requirement can be met in counters of six or more bits.

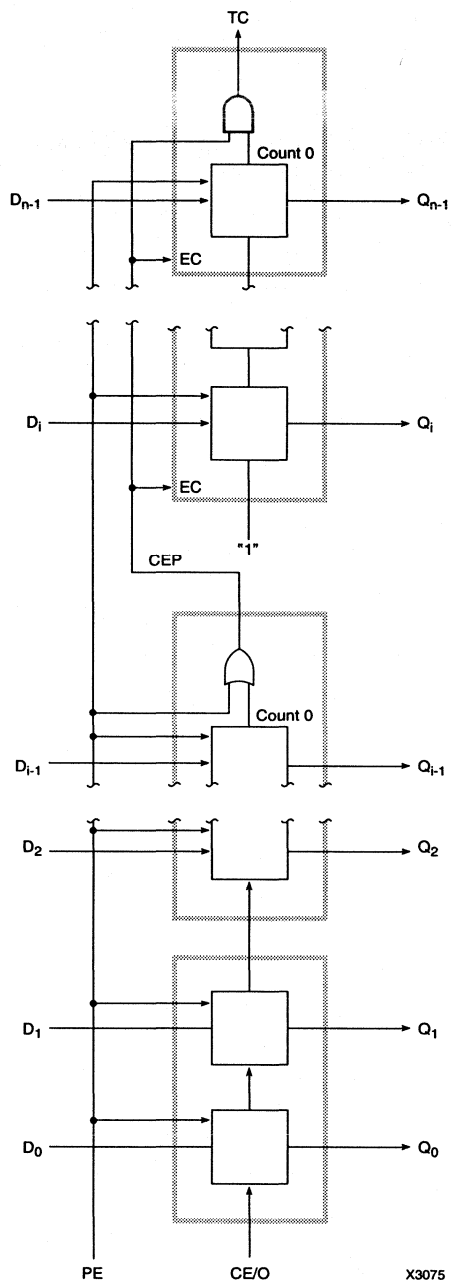


Figure 3. Long Accelerated Counter





**Summary**

This Application Note illustrates the implementation of long high-speed counters in Xilinx EPLDs. The Universal Interconnect Matrix eliminates the speed degradation usually associated with increasing counter length.

**Xilinx Family**

XC7200/XC7300

**Demonstrates**

High-speed Counter Design

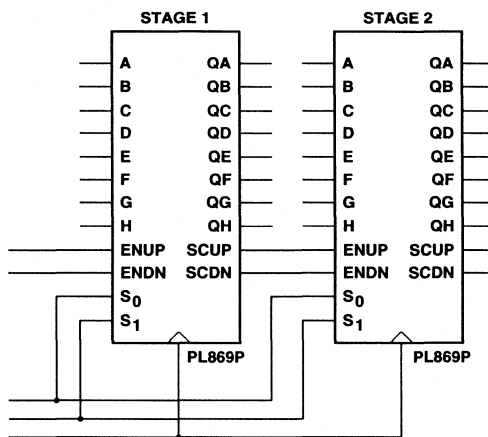
**Introduction**

Instrumentation, video/graphics and digital-signal-processing (DSP) applications use complex full-featured counters as building blocks. These counters might be used for prescalers, pulse generators, frequency counters or complex address generators. Typical counter requirements are listed below.

- Up-Down Operation
- Synchronous Load
- Synchronous Clear
- Cascadable to 64 Bits at 40 MHz

The Xilinx family of EPLDs is well suited for implementing high-speed full-featured counters. The wide fan-in of each Function Block and the Macrocell XOR gate, coupled with the capabilities of the Universal Interconnect Matrix (UIM™), permit high-speed counters with no trade-off between speed and density. Any counter output can feed any other Macrocell in the device with no speed degradation thus simplifying real-world systems.

High-speed counters are easily implemented by cascading up to eight instances of the 8-bit counter (PL869P) from the component library. Each 8-bit counter occupies nine Macrocells. Any number of 8-bit counters can be cascaded up to the capacity of the device, yet the 40 MHZ maximum speed is maintained for any length of counter. Figure 1 illustrates how counters can be cascaded. In this example, two 8-bit counters are cascaded into a 16-bit counter.



Functional Truth Table

S <sub>1</sub>	S <sub>0</sub>	ENUP	ENDN	FUNCTION
L	L	X	X	CLEAR
L	H	L	L	HOLD
L	H	H	H	COUNT UP
L	H	L	H	COUNT DOWN
L	H	H	H	HOLD
H	L	X	X	LOAD
H	H	X	X	HOLD

X1795

Figure 1. Cascaded Counter



## Summary

Xilinx EPLDs are capable of implementing counters that operate at the maximum device frequency. This Application Note explains how ABEL-HDL can be used to implement such counters.

## Xilinx Family

XC7200/XC7300

## Demonstrates

High-speed Counter Design

## Introduction

The Xilinx XC7200 and XC7300 families of EPLD devices are well suited for implementing large, fully featured, high-speed counters. Such counters benefit from the wide fan-in of the Function Blocks (21 inputs) and Macrocells (17 product terms), the XOR gate in the Macrocell, and the logic capabilities of the Universal Interconnect Matrix (UIM). Together, these features permit the implementation of high-speed counters with no trade-off between speed and density.

This Application Note demonstrates the use of ABEL-HDL and the ABEL XFER utility to generate counter equations. ABEL-HDL is a powerful tool for describing high-performance counters. Just as with the more familiar 22V10 low-density PAL device, only minimal knowledge of the Xilinx EPLD Function Block is required when generating the source code. Properly used, ABEL-HDL produces PLUSASM equations that map efficiently into the Xilinx EPLD architecture, and the resulting equations implement long, complex counters that run at the full speed of the device.

## Architecture Overview

A rudimentary understanding of the Xilinx EPLD architecture is helpful when designing efficient counters. Figure 1 shows the three major components of the architecture.

The Function Blocks are PAL-like logic blocks, where most, but not all, logic functions are performed. Each Function Block contains nine Macrocells. These Macrocells share 21 inputs, and every Macrocell has its own output. In this application, each Macrocell implements one bit of the counter.

Interconnection among Function Blocks is provided by the UIM. This fully populated switch matrix connects all device inputs and Function Block outputs to all the inputs

of every Function Block. In addition, the UIM can perform an ANDs of all Function Block outputs and device inputs.

I/O blocks interface the Function Blocks to the device pins. They contain input latches and registers that can be useful for data storage.

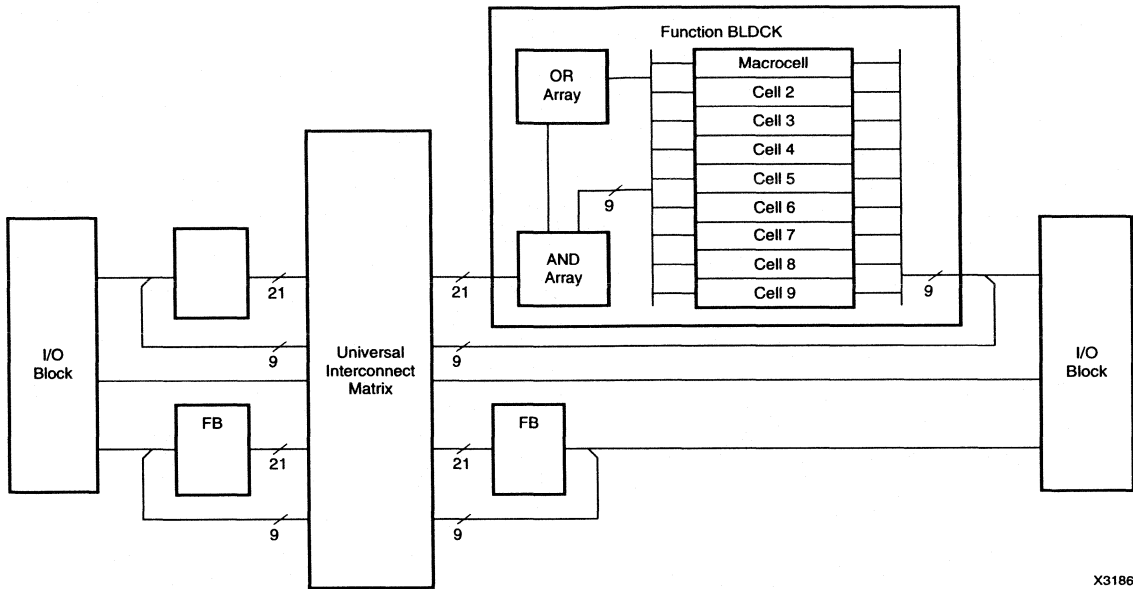
The keys to implementing long, complex, high-speed counters in Xilinx EPLDs are the XOR gate in each Macrocell and the AND capability of the UIM. The XOR gate is particularly useful when implementing loadable counters, Figure 2. The XOR gate reduces the required number of product terms to only four per bit; 13 unused product terms remain available.

Loadable counters can be implemented more efficiently with XOR gates and D-type flip-flops than with T-type flip-flops. The Xilinx EPLD architecture can force the counter feedback Low whenever LOAD is asserted. The counter bit can then be loaded using only one product term. Counters implemented with T-type flip-flops require two product terms for synchronous loading, since the conditions that force the flip-flop to toggle depend on both the data input and the counter state.

This difference is especially important when the counter is loaded from multiple sources. As shown in Figure 3, the Xilinx EPLD requires only one additional product term for each additional source, while a T-type flip-flop would require two additional product terms.

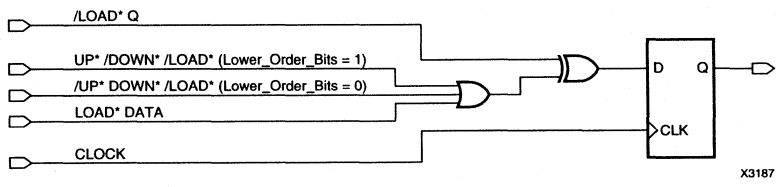
The UIM is actually a very wide AND array that operates without introducing additional delay. Implementing product terms in the UIM reduces the number of inputs into each Function Block, and also improves speed and density. Counters implemented using the UIM can run at the full device speed, independent of their length.

Figure 4 shows the implementation of a 27-bit counter. Nine counter bits are mapped into each Function Block. Notice how the outputs from the first nine bits (Q0...8) and



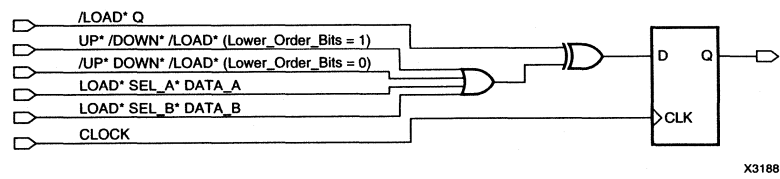
X3186

Figure 1. Xilinx EPLD Architecture



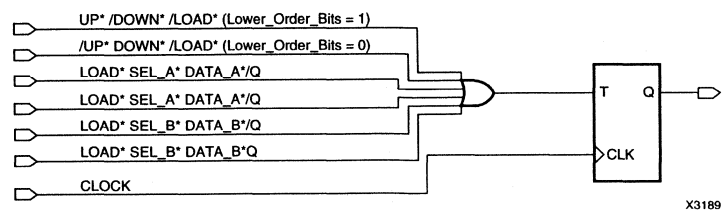
X3187

Figure 2. Bidirectional, Loadable Counter Bit



X3188

Figure 3a. Loadable Counter with Multiplexed Inputs, Xilinx EPLD Architecture



X3189

Figure 3b. Loadable Counter with Multiplexed Inputs. T-type Flip-Flop Architecture

the Count Enable are ANDed in the UIM to form their Terminal Count, COUNT\_FB2. This Terminal-Count signal enables the second group of nine bits (Q9...17). Similarly, most significant of nine bits are enabled by Terminal Count, COUNT\_FB3, generated by ANDing the second group of nine outputs with the least significant nine and the Count-Enable signal.

The critical path that limits the count frequency runs from the least significant bit to the Count-Enable input of the most significant stage. This path delay is independent of the number of function blocks it spans. Consequently, any length counter that spans multiple Function Blocks can operate at  $f_{MAX}$ , 60 MHz in an XC7236A-16.

### ABEL-HDL Counter Implementation

When generating ABEL-HDL counter descriptions for a Xilinx EPLD, keep in mind the basic features of the architecture.

- Each Function Block has 21 inputs, and comprises nine Macrocells with one output each.
- Each Macrocell has a D-type flip-flop preceded by an XOR gate.
- The UIM is a wide AND array

For the highest performance, maximize the number of counter bits in each Function Block. In unidirectional counters, nine bits of a loadable up counter or down counter can fit into a single Function Block. Bidirectional counters, however, can only fit eight bits into a Function Block. This reduction is caused by the need for two Terminal Count signals, one for up counting and one for down counting.

As shown in Figure 5, the up-counting Terminal-Count signal can be generated in the UIM, just as it would be in an up counter. The down-counting Terminal Count is the AND function of the inverted counter bits, i.e., an all-zero

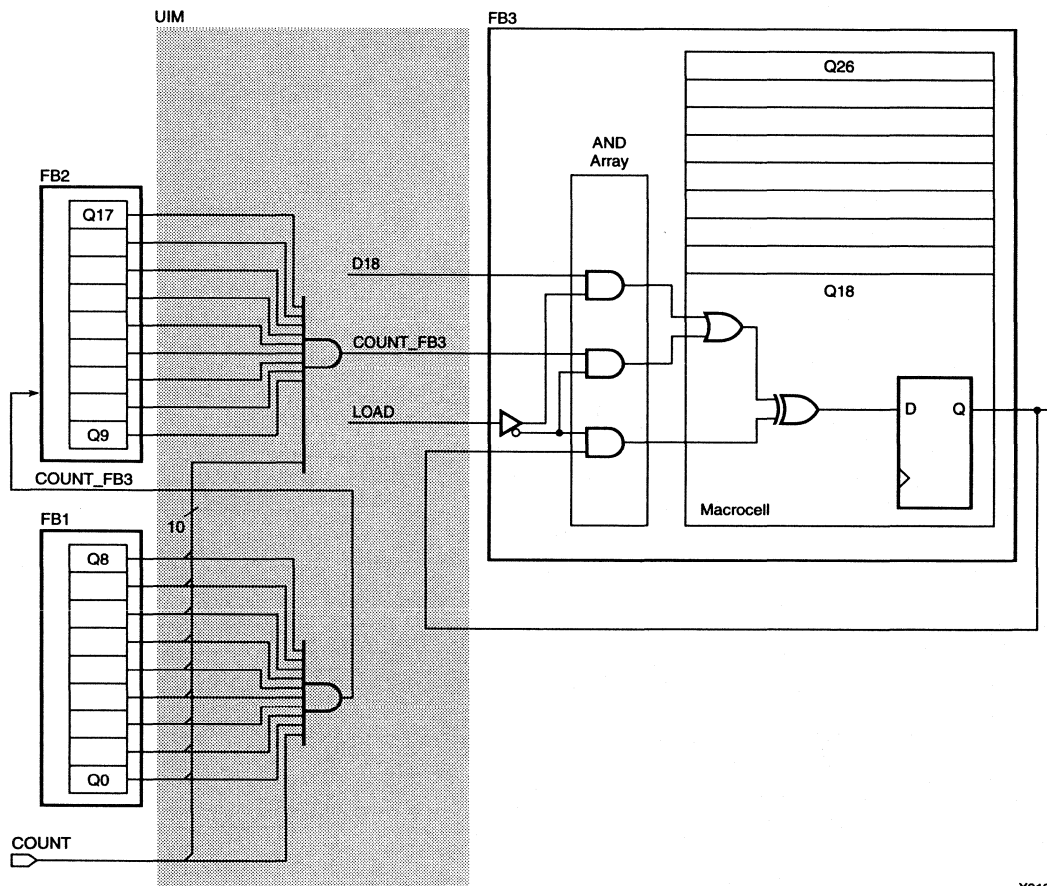


Figure 4. 27-Bit Loadable Up Counter

detect in place of an all-one detect. This requires the use of a Macrocell, and consequently, only eight are available for counter bits.

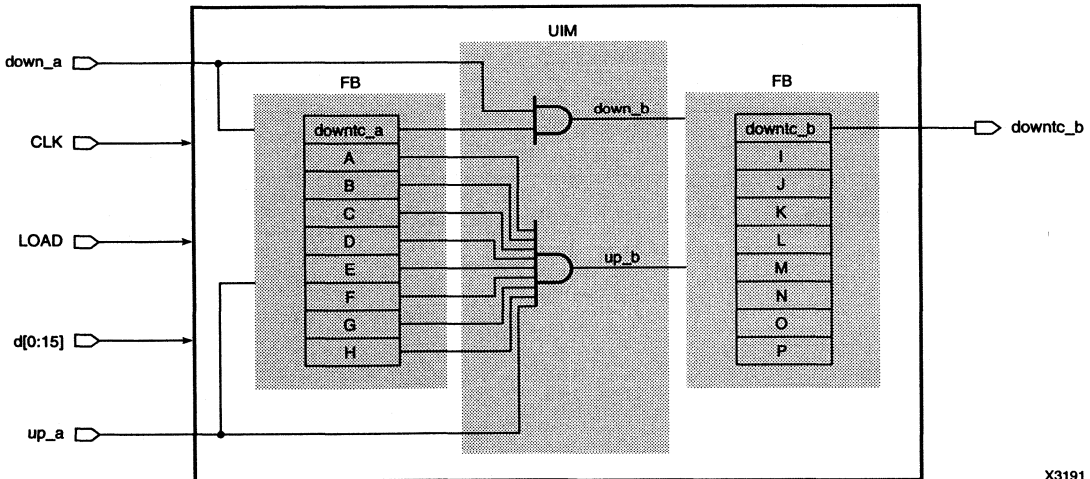
To avoid additional logic delay, the down-counting Terminal-Count signal is pipelined; the state immediately preceding Terminal Count is detected, and the result is registered on the same clock that moves the counter into its Terminal-Count state. To ensure correct operation during loading, the load value is inspected, and the pipeline flip-flop set appropriately at the load clock.

If the counter outputs must be compared to a dynamic value, leave one Macrocell available in each Function Block to perform the comparison. The fitter portion in the ABEL compiler recognizes that the comparator and counter can share common Function Block inputs, and maps them into the same Function Block.

Once the number of counter bits that fit into any Function Block is determined, the ABEL source code can be written. Here are some key points to remember when generating the source code.

- Declare each counter bit with the *istype 'reg,xor'* attribute to take full advantage of the XOR functionality of the Macrocell ALU. Then use the *xor\_factors* keyword to define the signal that drives one input of the XOR gate. If at all possible, keep this signal down to one product term.

- Declare the terminal count look-ahead function of each stage, e.g., the down terminal count of bidirectional counters, as node *istype 'reg'*. This function will be mapped into a Macrocell.
- Declare the up-terminal count, or a down-counter down-terminal count, of each stage as node *istype 'com'*. Since the Function Block outputs and inputs can be inverted, modulo-n stages can be defined and the terminal count can still be generated in the UIM. This function will be mapped into the UIM when it is declared as *NODE (UIM)* in the PLUSASM top-level design file.
- While implementing counters, be sure to completely specify the function so that ABEL can minimize the logic. Whenever PLUSASM is generated for a function declared with an *xor* attribute, ABEL expresses the equation in PLUSASM ALU syntax. XEPLD will not further minimize these equations.
- Unless a counter is manually partitioned in the top level design file using PLUSASM 'Partition' statements, the fitter is free to map the counter bits in any way it chooses. Consequently, the counter may map into multiple Function Blocks, achieving what the fitter considers a best fit given the I/O requirements; the fitter may not map the maximum number of counter bits into each Function Block.



X3191

Figure 5.16-Bit Bidirectional Loadable Counter

Additionally, unnecessary inputs may be consumed in the Function Blocks that contain the higher order counter bits. These inputs are consumed by lower order counter bits that are ANDed in the Function-Block AND array to form Terminal Count signals, instead of being ANDed in the UIM.

This may not be a problem. Provided a design can access all the Macrocells it requires, any additional inputs are available at no cost. When it is necessary to free up Function Block inputs, first determine from the fitter mapping report how the counter is mapped. Using this information, modify the ABEL-HDL source code to create counter block that correspond to the counter bits that are mapped into each Function Block. Terminal Count signals can then be generated using UIM ANDs, thus minimizing the number of inputs used on each Function Block.

In practice, the fitter tends to keep many of the counter bits together. The best strategy is to assume that the maximum number of bits will be implemented in each Function Block, and then optimize the source code to free up more inputs if necessary.

The following examples show how to implement counters in Xilinx EPLDs using ABEL-HDL. Example 1 implements the simple 27-bit loadable up-counter shown in Figure 4. Example 2 implements an 8-bit loadable, bidirectional counter, as shown in Figure 2. Example 3 expands upon Example 2, and uses ABEL-HDL to implement the 16-bit loadable, bidirectional counter shown in Figure 5. The ABEL source codes and PLUSASM top level design files follow.



Example 1. 27-Bit Loadable Up Counter

ABEL Source Code

```

module upcntr
title 'loadable 27 bit loadable up counter
  each 9 bit stage fits in one fb
  up terminal counts formed in uim
  Jeffrey Goldberg
  Xilinx';
upcntr device;
" Inputs
  Clk,load,count                pin;
  d0,d1,d2,d3,d4,d5,d6,d7,d8   pin;
  d9,d10,d11,d12,d13,d14,d15,d16,d17 pin;
  d18,d19,d20,d21,d22,d23,d24,d25,d26 pin;
" Outputs
  q0,q1,q2,q3,q4,q5,q6,q7,q8   pin istype 'reg,xor';
  q9,q10,q11,q12,q13,q14,q15,q16,q17 pin istype 'reg,xor';
  q18,q19,q20,q21,q22,q23,q24,q25,q26 pin istype 'reg,xor';
" Nodes
  count_fb2, count_fb3         node istype 'com';
" Variables
  data_fb1 = [d8..d0];          " data inputs
  data_fb2 = [d17..d9];
  data_fb3 = [d26..d18];
  fb1 = [q8..q0];              " counter outputs
  fb2 = [q17..q9];
  fb3 = [q26..q18];
xor_factors fb1 := fb1 & !load;    " q,d2 = q & !load
xor_factors fb2 := fb2 & !load;
xor_factors fb3 := fb3 & !load;
equations
" Function Block 1
  fb1 := (fb1 + 1) & count & !load " count up
  # fb1 & !count & !load          " hold
  # data_fb1 & load;              " load
" Function Block 2
  fb2 := (fb2 + 1) & count_fb2 & !load "count up
  # fb2 & !count_fb2 & !load       "hold
  # data_fb2 & load;              "load
" Function Block 3
  fb3 := (fb3 + 1) & count_fb3 & !load "count up
  # fb3 & !count_fb3 & !load       "hold
  # data_fb3 & load;              "load
" Form count enables in uim
  count_fb2 = count & (fb1==511);
  count_fb3 = count & (fb1==511) & (fb2==511);
end

```

PLUSASM Top Level Design File, COUNTER1.PLD

```

TITLE          COUNTER1
AUTHOR        JEFFREY GOLDBERG
COMPANY       XILINX
DATE          3/2/93
INCLUDE_EQN   'UPCNTR.PLD'
CHIP          COUNTER1  XEPLD
INPUTPIN      LOAD COUNT D0 D1 D2 D3 D4 D5 D6 D7 D8 D9 D10
              D11 D12 D13 D14 D15 D16 D17 D18 D19 D20 D21
              D22 D23 D24 D25 D26
OUTPUTPIN     Q0 Q1 Q2 Q3 Q4 Q5 Q6 Q7 Q8 Q9 Q10 Q11 Q12 Q13
              Q14 Q15 Q16 Q17 Q18 Q19 Q20 Q21 Q22 Q23 Q24
              Q25 Q26
NODE (UIM)    COUNT_FB2 COUNT_FB3
FASTCLOCK     CLK
EQUATIONS

```

Example 2. 8-Bit Loadable, Bidirectional Counter

ABEL Source Code

```

module updncntr
title 'loadable 8 bit loadable up/down counter
  up terminal count formed in uim
  down terminal count formed in macrocell
  Jeffrey Goldberg
  Xilinx';
updncntr device;
" Inputs
  Clk,load,up,down              pin;
  d0,d1,d2,d3,d4,d5,d6,d7      pin;
" Outputs
  q0,q1,q2,q3,q4,q5,q6,q7      pin istype 'reg,xor';
  downtc,done                   pin istype 'reg';
" Nodes
  uptc                           node istype 'com';
" Variables
  data = [d7..d0];               " data inputs
  count = [q7..q0];             " counter outputs
xor_factors count := count & !load; " q.d2 = q & !load
equations
  count := (count + 1) & up & !down & !load " count up
  # (count - 1) & !up & down & !load      " count down
  # count & up & down & !load            " hold
  # count & !up & !down & !load          " hold
  # data & load;                        " load
" Form down terminal count in macrocell
  downtc := (count == 1) & !up & down & !load " count = 0 on next
  clock
  # (count == 0) & up & down & !load      " holding at 0
  # (count == 0) & !up & !down & !load    " holding at 0
  # (data == 0) & load;                  " loading 0
" Form up terminal count in uim
  uptc = up & (count==255);
" Send uptc off-chip
  done := uptc;
end

```

PLUSASM Top Level Design File, UPDNCNT8.PLD

```

TITLE          UPDNCNT8
AUTHOR        JEFFREY GOLDBERG
COMPANY       XILINX
DATE          3/2/93
INCLUDE_EQN   'UPDNCNTR.PLD'
CHIP          UPDNCNT8  XEPLD
INPUTPIN      LOAD UP DOWN D0 D1 D2 D3 D4 D5 D6 D7
OUTPUTPIN     Q0 Q1 Q2 Q3 Q4 Q5 Q6 Q7 DOWNTC DONE
NODE (UIM)    UPTC
FASTCLOCK     CLK
EQUATIONS

```

### Example 3. 16-Bit Loadable, Bidirectional Counter

#### ABEL Source Code

```

module abelcntr
title 'loadable 16 bit up/down counter
  each 8 bit stage fits in one fb
  up terminal count formed in uim
  down terminal count lookahead generated in macrocell
  second stage up and down count enables formed in uim
  Jeffrey Goldberg
  Xilinx';
  abelcntr device;
" Inputs
  Clk,load,up_a,down_a                pin;
  d0,d1,d2,d3,d4,d5,d6,d7            pin;
  d8,d9,d10,d11,d12,d13,d14,d15     pin;
" Outputs
  downtc_b                            pin istype 'reg';
"Nodes
  a,b,c,d,e,f,g,h                    node istype 'reg,xor';
  i,j,k,l,m,n,o,p                    node istype 'reg,xor';
  up_b, down_b                        node istype 'com';
  downtc_a                            node istype 'reg';
  data_a = [d0..d7];                  " data inputs
  data_b = [d8..d15];
  count_a = [a,b,c,d,e,f,g,h];        " counter outputs
  count_b = [i,j,k,l,m,n,o,p];
  uptc_a = (count_a == 255);" terminal counts
  uptc_b = (count_b == 255);
xor_factors count_a := count_a & !load; count.d2 = count & !load
xor_factors count_b := count_b & !load;
equations
  count_a := (count_a + 1) & up_a & !down_a & !load " count up
  # (count_a - 1) & !up_a & down_a & !load " count down
  # count_a & up_a & down_a & !load " hold
  # count_a & !up_a & !down_a & !load " hold
  # data_a & load; " load
  downtc_a := (count_a == 1) & !up_a & down_a & !load " counting
  " down
  # (count_a == 0) & up_a & down_a & !load " holding
  " counter= 0
  # (count_a == 0) & !up_a & !down_a & !load " holding
  " counter= 0
  # (data_a == 0) & load; " loading 0
" form count enables in uim
  up_b = uptc_a & up_a;
  down_b = downtc_a & down_a;
  count_b := (count_b + 1) & up_b & !down_b & !load
  # (count_b - 1) & !up_b & down_b & !load
  # count_b & up_b & down_b & !load
  # count_b & !up_b & !down_b & !load
  # data_b & load;
  downtc_b := (count_b == 1) & !up_b & down_b & !load
  # (count_b == 0) & up_b & down_b & !load
  # (count_b == 0) & !up_b & !down_b & load
  # (data_b == 0) & load;
end

```

#### PLUSASM Top Level Design File, ABELCNT1.PLD

```

TITLE ABELCNT1.PLD
AUTHOR JEFFREY GOLDBERG
COMPANY XILINX
DATE 3/2/93
INCLUDE_EQN 'ABELCNTR.PLD'
CHIP ABELCNT1 XEPLD
INPUTPIN LOAD UP_A DOWN_A D0 D1 D2 D3 D4 D5 D6 D7 D8
D9 D10 D11 D12 D13 D14 D15
OUTPUTPIN DOWNTC_A
NODE A B C D E F G H I J K L M N O P DOWNTC_A
NODE (UIM) UP_B DOWN_B
FASTCLOCK CLK
EQUATIONS

```

## Summary

This Application Note describes how to use Xilinx EPLDs for high-speed, binary counters that run at the full rated speed of the device. These area-efficient, custom-length counters use standard 4- and 8-bit library components.

## Xilinx Family

XC7200/XC7300

## Demonstrates

High-Speed Counters

## Introduction

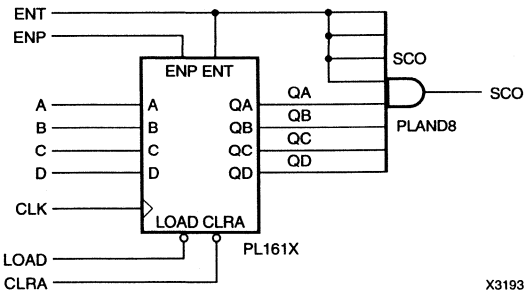
High-performance XC7200 binary counters are easily designed in the XEPLD schematic-capture environment using standard library components. When properly cascaded, these components provide counters that operate at  $f_{MAX}$  of the EPLD, independent of the counter length and complexity.

The Xilinx EPLD component library contains three binary up-counters PL161, PL163 and PLCTR8. Individual bits of these counters are implemented in Function Blocks. Terminal Count signals, however, are implemented in the Universal Interconnect Matrix (UIM), shown as an AND gate in Figure 1.

## Counter Design

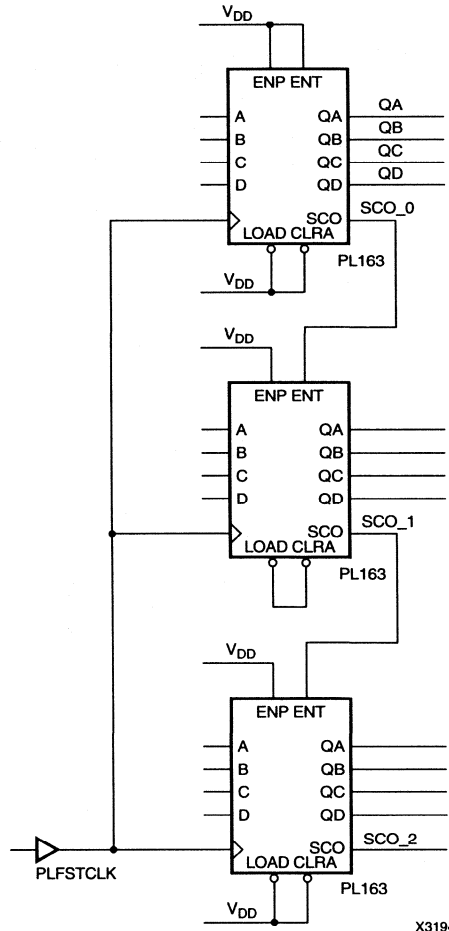
### Optimizing Terminal Count

Cascaded counters can run at  $f_{MAX}$ , if the Synchronous Carry-Out signal (SCO) is generated in the UIM, Figure 2. However, since the UIM cannot drive an output directly, the operating frequency must be reduced if SCO is required off-the-chip in the same clock cycle. SCO must pass through an additional Macrocell, effectively halving the performance.



X3193

Figure 1. Typical 4-Bit Up-Counter Component



X3194

Figure 2. Typical Cascaded Counter

Figure 3 shows a technique that avoids this problem, and makes SCO available off-chip within the fMAX cycle time. A Count-Enable look-ahead circuit anticipates by one clock period when the counter will reach its terminal count, permitting the signal to be pipelined. Consequently, SCO is available to the output directly from the flip-flop for the duration of the Terminal-Count clock period, as shown in Figure 4.

Because the LSB of the least significant 4-bit counter is inverted for the look-ahead circuit, the SCO output of those four bits cannot be used without slowing the counter; instead, the pipelined SCO signal must be used. If the counter is to be loaded without restriction, the SCO pipeline flip-flop must also be loaded.

### Customizing Counter Length

Custom-length counters using standard 4- and 8-bit library components often leave unused outputs in the design. Floating outputs are normally removed by the XEPLD software to reclaim the unused macrocells. Counter bits, however, have internal feedback paths that might be needed for the correct operation of more significant bits, while their individual outputs remain unused. It is necessary, therefore, to indicate which counter bits may be eliminated.

The easiest way to indicate which bits may be eliminated is to connect their outputs to VDD; the XEPLD software then eliminates only those pins.

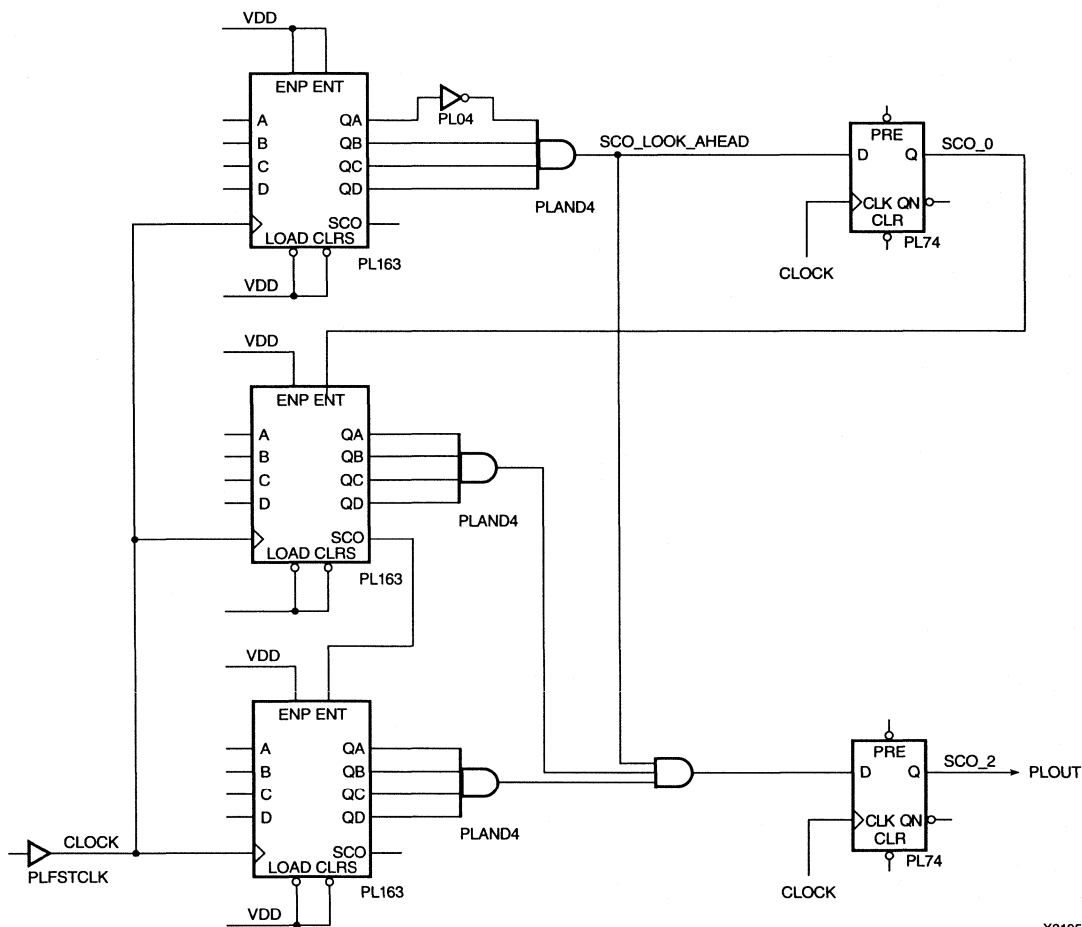
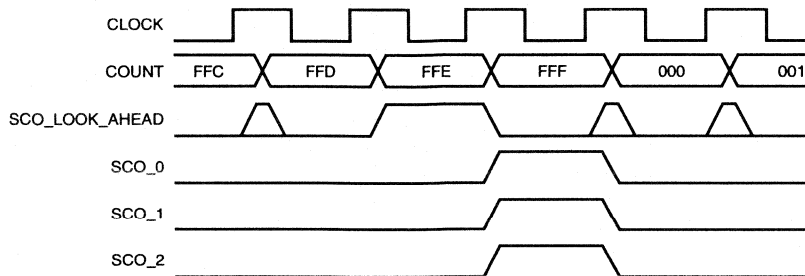


Figure 3. Cascaded Counter with Pipelined SCO

X3195



X3196

Figure 4. SCO Waveform Diagram

## Summary

This Application Note surveys the different adder techniques that are available for XC3000 designs. Examples are shown, and a speed/size comparison is made.

## Xilinx Family

XC3000/XC3100

## Demonstrates

Adder Techniques

## Introduction

There are many ways to implement binary adders, subtractors and accumulators in LCA devices. Various approaches offer different trade-offs between size and speed.

Most compact, but slowest, is a bit-serial technique that operates on one or two bits per clock cycle, generating sum and carry. The sum is fed to an output shift register; the carry is stored and used in the subsequent bit time.

The most compact combinatorial (parallel) adder, subtractor, or accumulator consists of cascaded CLBs. Each CLB implements a full adder, accepting one bit of each operand and an incoming carry. The CLB generates the sum and an outgoing carry. A 16-bit function is completed in 16 CLB delays, and requires 16 CLBs.

With its 5-input function generator, an XC3000 CLB can implement additions two bits at a time. Three CLBs can each handle two input bits of each operand and an input carry to generate the two sum outputs and an outgoing carry. A 16-bit function requires 24 CLBs but the operation is completed in eight CLB delays.

For faster operation, a look-ahead carry technique can be used. Made popular by the 74181 ALU and its descendants, look-ahead carry uses Carry Propagate and Carry Generate signals to reduce the ripple-carry delay. Using look-ahead carry techniques in the XC3000, a 16-bit addition can be completed in five CLB delays, using 30 CLBs.

An even faster conditional-sum algorithm was originally described by J. Sklansky. Using this algorithm, a 16-bit adder requires 41 CLBs, but settles in only three CLB delays. With careful layout, the propagation delay through such an adder can be less than 20 ns in an XC3100-3.

Note that all Xilinx adder structures can be used as accumulators with no size penalty. Unlike conventional gate arrays and similar structures, LCA devices provide dedicated flip-flops in each CLB that can be used for the

accumulator register. Since the flip-flop set-up time through the function generator usually matches the combinatorial propagation delay of the CLB, the set-up time for accumulator operands is similar to the propagation delay of the adder.

## Bit-Serial Adders

The CLB architecture is ideally suited for bit-serial arithmetic. As shown in Figure 1, the two operands are serialized in shift registers, and presented, LSB first, to the serial arithmetic unit. The sum is created as a serial bit stream, again LSB first, that is converted to parallel data in a third shift register. Alternatively, one of the input shift registers may serve as the output register, with the sum shifted in to replace the operand.

The arithmetic unit, Figure 2, comprises a 1-bit full adder/subtractor and a carry/borrow flip-flop, and can be implemented in a single CLB. Before commencing an operation (addition or subtraction) the carry/borrow flip-flop must be cleared. Subsequently, sum or differences are passed to the output shift register, while carries or borrows are stored for inclusion in the next bit of the serial operation.

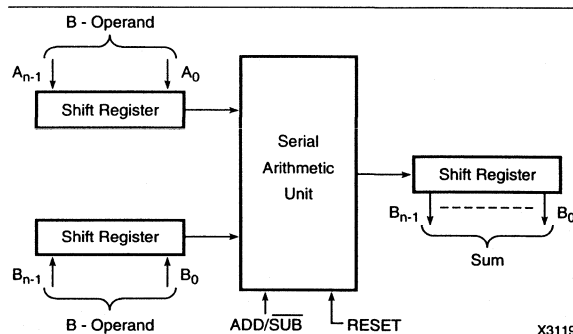


Figure 1. Serial Bit Adder/Subtractor

X3119

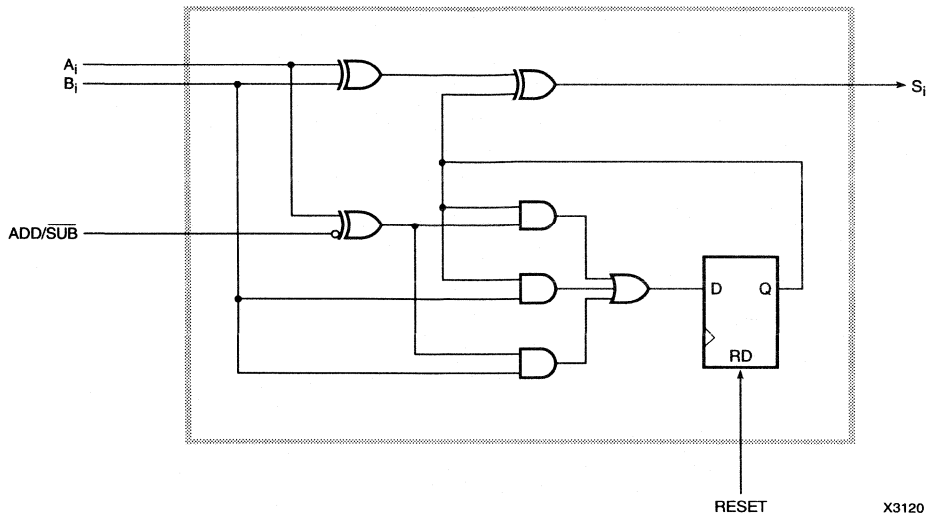


Figure 2. Serial Arithmetic Unit

While the number of clocks required to complete the operation equals the number of bits, the clock period can be very small because of the shallow logic. For maximum clock speed, the first bit of the output shift register should be implemented in the same CLB as the arithmetic unit.

Faster bit-serial operation can be obtained by simultaneously operating on two bits, Figure 3. Odd and even bits of each operand are loaded into separate shift registers. The arithmetic unit takes in two bits of each operand, and produces two sum bits per clock. These sum bits are loaded into odd and even output shift registers.

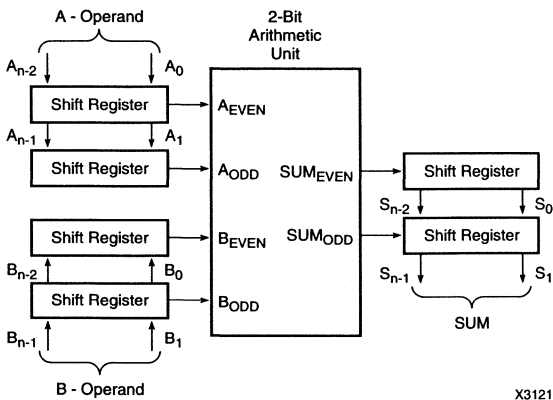


Figure 3. 2-Bit Serial Adder

Figure 4 shows the 2-bit arithmetic unit. Both sum bits are derived in parallel, and a single carry is generated and stored for the next cycle. This arithmetic unit permits adders and subtractors to be constructed, but not adders/subtractors. For adders/subtractor operation, the arithmetic unit should implement an adder; to generate A-B, the A-operand should be inverted while loading the operand and shift register, and the sum bits should be inverted into the output register. The carry flip-flop is cleared before each operation, regardless of whether it is an addition or subtraction.

While the clock rate is similar to the 1-bit scheme, only half as many clocks are required to complete the operation.

### Ripple-carry Adders

The 1-bit serial adder, described above, can easily be converted into a ripple-carry parallel adder. It is simply a matter of replicating the arithmetic unit once for each bit, removing the carry/borrow flip-flops and connecting the carry/borrow outputs from one bit to the next, Figure 5. The carry/borrow input of the LSB is set to zero for no carry in an addition, and for no borrow in a subtraction.

At one CLB per bit, this design uses fewer CLBs than any other parallel adder. However, this compactness is achieved at the expense of speed; the settling time is one CLB delay per bit. By placing the CLBs of the adder adjacent to each other, interconnect delay in the ripple path can be minimized, or even eliminated.

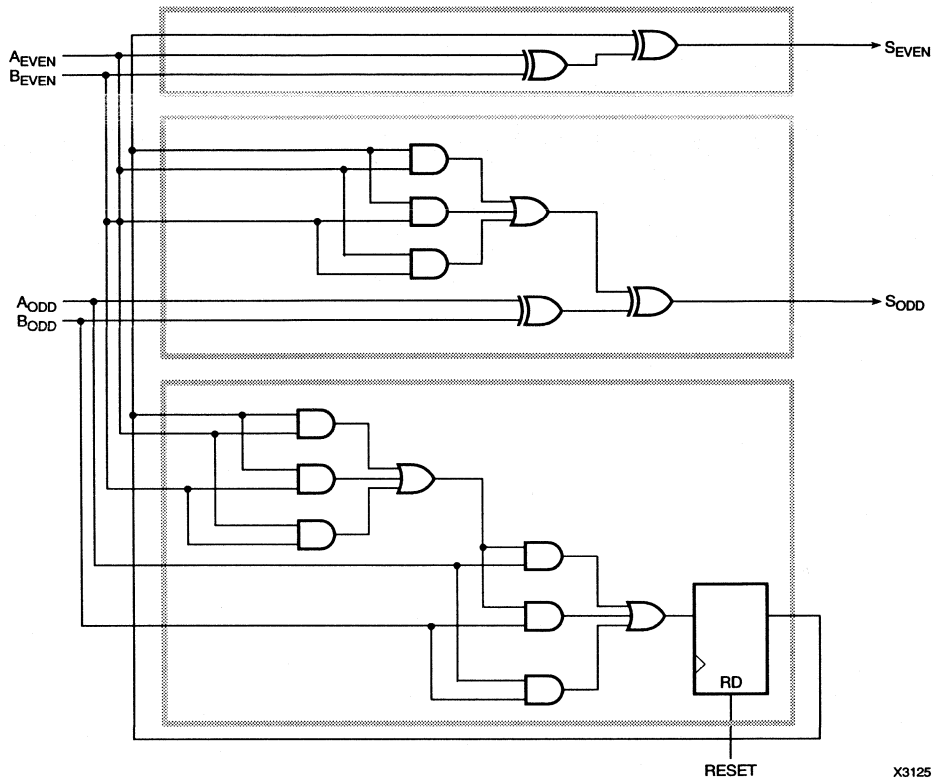


Figure 4. 2-Bit Serial Arithmetic Unit

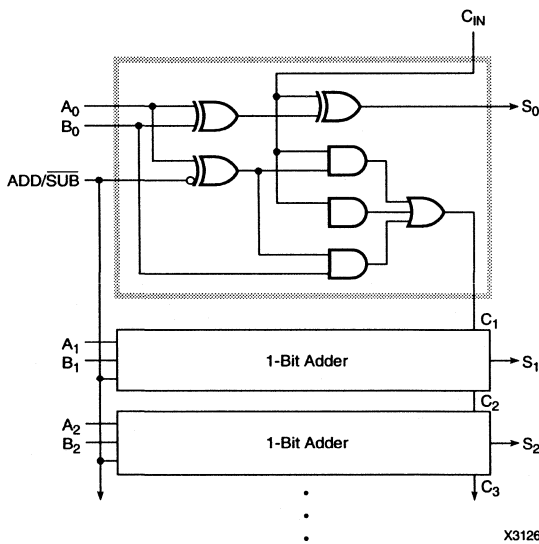


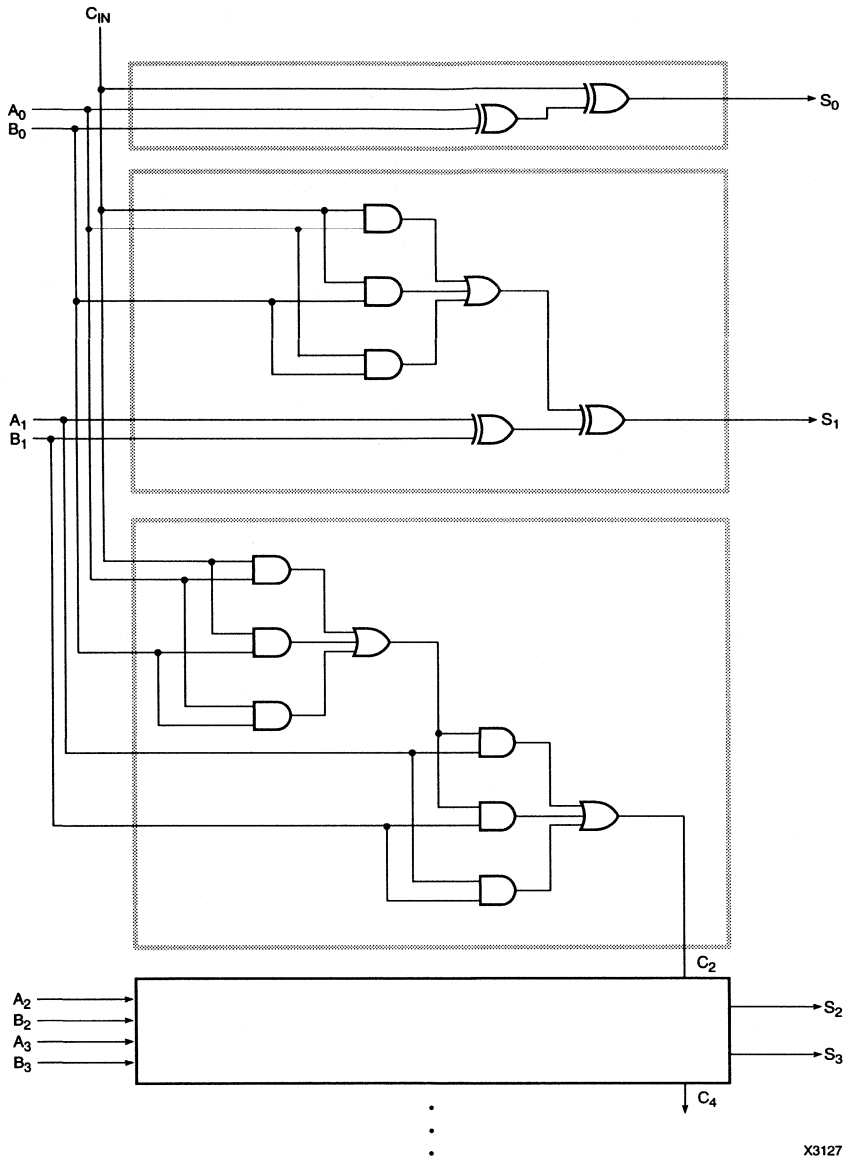
Figure 5. One-Bit-At-A-Time Ripple-Carry Adder

A faster settling time can be achieved by changing the replicated cell from a 1-bit adder to a 2-bit adder, Figure 6. The carry output and the more significant sum of each bit-pair are functions of five inputs. Consequently, each requires an entire CLB, increasing the CLB requirement to 1 1/2 per bit. However, the settling time is reduced to one CLB delay per two bits, half that of the previous design.

The 5-input function generators permit this design to be used for adders and subtractors, but not for adder/subtractors. To implement an adder/subtractor, one of the operands to an adder must be modified before being input into the adder.

For the operation  $A-B$ , there are two choices, both of which require additional XOR gates to invert one of the operands while subtracting. The technique used in the bit-serial adder and the one-bit-at-a-time adder is to invert the A-operand into the carry logic only; the A-operand is input to the sum logic unmodified. In this case, the carry/borrow input is active-high for both add and subtract, and may be tied Low if no input carry or borrow is required.





X3127

Figure 6. Two-Bits-At-A-Time Ripple-Carry Adder

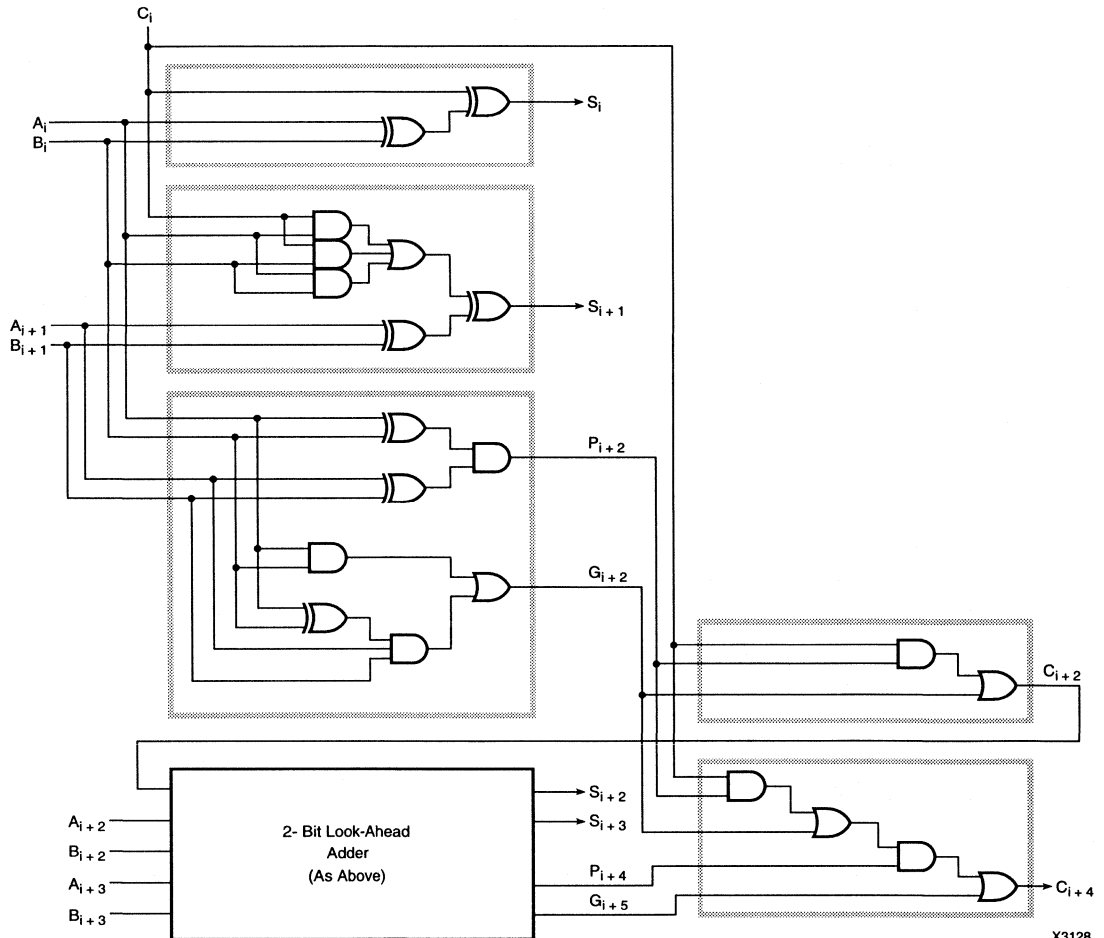
A more conventional approach is to invert the B-operand into both the sum and carry logic. However, if no input borrow or carry is required, the input must be Low during an addition, and High during a subtraction.

### Look-ahead-carry Adders

For faster operation in large adders, look-ahead carry look-ahead-carry technique uses two signals, Carry Generate and Carry Propagate (P and G), that are typically outputs of an arithmetic block, often of four bits. Since both of these signals do not depend on the incoming carry signal, they can be generated immediately from input data.

As the name implies, Carry Generate is asserted if the block creates an overflow (carry), regardless of incoming carry. For example, in a 4-bit adder, Carry Generate is asserted if the sum of the operand bits, excluding the incoming carry, exceeds 15.

If the block does not generate a carry by itself, but would generate a carry as a result of an incoming carry, Carry Propagate must be asserted; its assertion is optional if the block generates a carry without requiring an incoming carry. In our 4-bit example, Carry Propagate must be asserted when the sum, excluding the incoming carry, is exactly 15, and may optionally be asserted when the sum is greater.



X3128

Figure 7. Four-Bits-at-a-time Adder Block with Internal Look-Ahead Carry

In XC3000 LCA devices, look-ahead carry is most effective when used to combine two 2-bit blocks into a 4-bit block that cascades using ripple carry, Figure 7. The 4-bit block has a one-CLB delay from carry in to carry out, but a two-CLB delay from carry in to the sum output of the more significant bit-pair. The delay from the operand inputs to the carry output is also two CLBs.

A 16-bit adder may be implemented in two ways. The most straightforward way is to cascade four 4-bit blocks, as shown in Figure 8(a). With this design, the carry-in-to-carry-out delay is only four CLBs, while the operand-to-sum delay is six CLBs; the operand-to-carry-out and carry-in-to-sum delays are both five CLBs. The carry output is available one CLB delay before the sum, and the carry input need not be present until one CLB delay after the operands. The design requires 32 CLBs.

While a shorter carry delay may sometimes be desirable, the design in Figure 8(b) is faster overall, balancing all four delays at five CLBs. The 2-bit ripple-carry block,

described in the ripple-carry section, is used to implement the most and least significant bit-pairs, and only 30 CLBs are required.

Either design can be adapted to any multiple of four bits by simply adding or subtracting 4-bit blocks in the center of the adder. The advantage over the 2-bit ripple-carry technique increases with the number of bits in the adder.

For even numbers of bits that are not multiples of four, any of the designs in Figure 9 may be used. For a 14-bit adder, the Figure 9(a) design balances all four delays at five CLBs, and requires 25 CLBs. The Figure 9(b) and 9(c) designs each use two additional CLBs, but are one CLB delay faster in the carry path. In the Figure 9(b) design the carry out appears one CLB delay before the sum, and in the Figure 9(c) design, the carry in need not be present until one CLB delay after the operand. Again, for different length adders, simply add or subtract 4-bit blocks at the center of the adder.

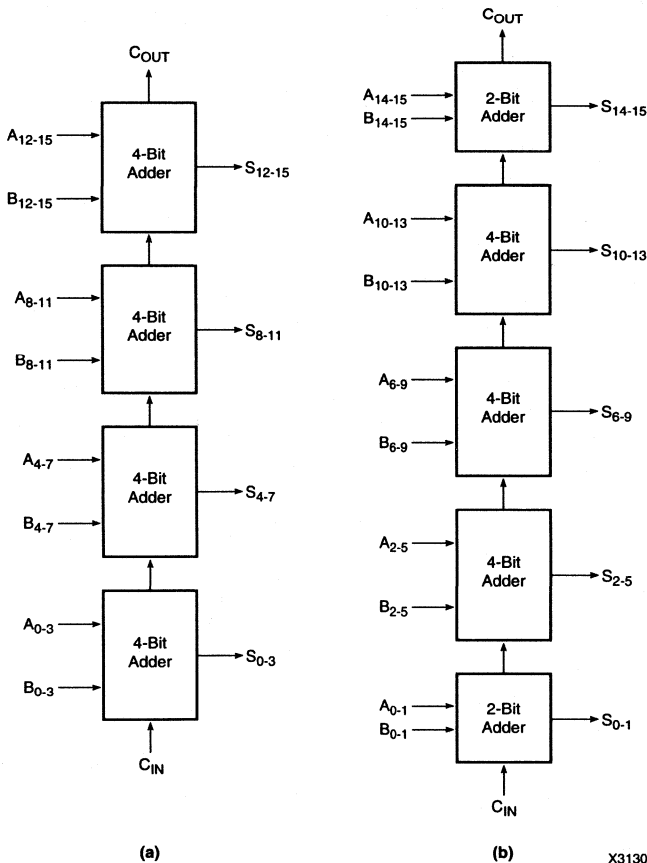


Figure 8. 16-Bit Adder Configurations

X3130

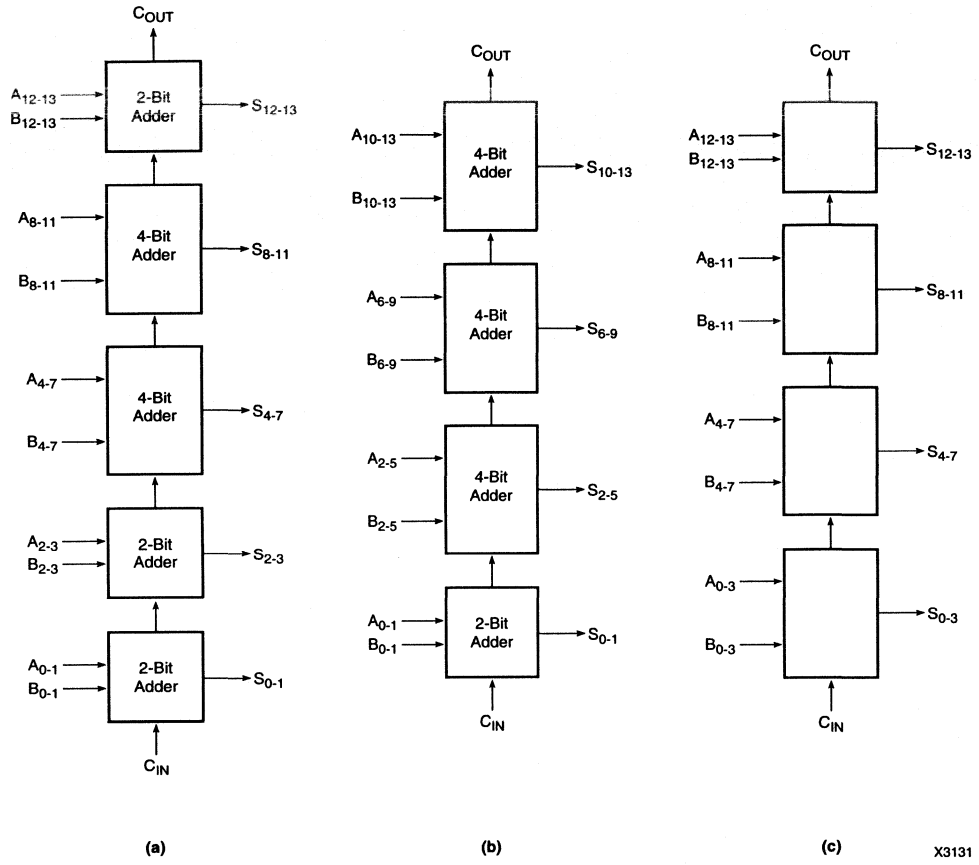


Figure 9. 14-Bit Adder Configuration

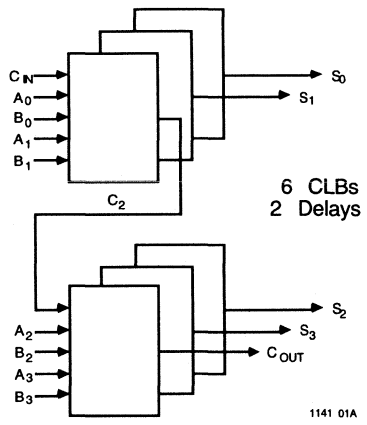


Figure 10. 4-Bit Adder

Conditional-sum Adder

Conditional-sum adders, originally described by J. Sklansky in the June 1960 issue of the IRE Transaction on Electronic Computers, reduce settling time at the expense of much higher logic complexity. The version described below was created by Matt Klein of Hewlett Packard, who modified the algorithm to fit the XC3000 architecture. With careful placement and routing, the total delay can be kept below 20 ns in an XC3100-3.

Forty-one CLBs are required, 27 of which generate one function of up to five variables, while the remaining 14 CLBs each generate two functions of four variables. Figure 10 shows how these CLBs are connected. For more information, please refer to the original paper and the Xilinx Technical Bulletin Board.

## Summary

This Application Note describes the operation of the XC4000 dedicated carry logic, the standard configurations provided for its use, and how these are combined into arithmetic functions and counters.

### *Xilinx Family*

XC4000

### *Demonstrates*

Dedicated Carry Logic

## Introduction

XC4000-series CLBs contain dedicated, hard-wired carry logic to both accelerate and condense arithmetic functions such as adders and counters. Adders achieve ripple-carry delays as low as 750 ps per bit, while utilizing only half a CLB per bit. This is certainly denser than any other approach, and in most cases, faster.

As shown in Figure 1, the carry logic shares operand and control inputs with the function generators. The carry outputs connect to the function generators, where they are combined with the operands to form the sums. A conceptual diagram of a typical addition is shown in Figure 2.

Only the shared and carry inputs to the function generators are predetermined. Any function of these and the remaining inputs may be implemented. For example, in a loadable counter, the function generator may be used to both invert the counter bit, under control of the carry path, and multiplex a load value into the flip-flop. The H function generator also remains available, and the CLB flip-flops may be used in counters or accumulators.

The ripple-carry outputs are routed between CLBs on high-speed dedicated paths. As shown in Figure 3, carries may be propagated either up or down a column of CLBs. At the top and bottom of the columns where there are no CLBs above and below, the carry is propagated to the right. This enables U-shaped adders and counters to be constructed when they cannot be fitted in a single column.

The carry logic may be configured to implement add, subtract and add/subtract functions. Increment, decrement, increment/decrement and 2's-complement functions are also available.

These functions may be implemented using pre-defined CLB configurations provided in XDE. The mnemonics for these configurations, e.g., ADD-FG-CI, describe the arithmetic function supported, the CLB function generators used and the source of the carry input. While these

configurations permit the dedicated carry logic to be used without detailed knowledge of its operation, the following description is provided.

## Operation of the Carry Logic

A detailed and rather complex schematic of the dedicated carry logic is shown in Figure 4. Figure 5, however, is much simpler; it shows the same carry logic once it has been configured for an addition and redundant gates have been removed.

Both bits of the carry logic operate in the same way: First, the A and B inputs are compared. If they are equal,  $C_{OUT}$  is well-defined without reference to  $C_{IN}$ . When both inputs are zero, carry is not propagated and no carry is generated. Consequently,  $C_{OUT}$  must be zero. When they are both one, a carry is generated, and  $C_{OUT}$  must also be a one. In either case,  $C_{OUT}$  is equal to the A input.

If the A and B inputs are different, the carry is propagated, and  $C_{OUT}$  is equal to  $C_{IN}$ .  $C_{OUT}$  can, therefore, be created by multiplexing between the A input and  $C_{IN}$ .

This scheme is used because the multiplexers in the ripple path may be implemented using pass transistors; these introduce the least cumulative delay into this critical path.

Referring back to Figure 4, the various configuration options can now be explained. XOR-gates are provided as polarity controls for the B operands. According to a configuration bit, B may be inverted for a subtracter, or not inverted for an adder. Alternatively, the polarity may be controlled by F3 (ADD/SUBTRACT) for an adder/subtracter.

The B operands may be gated out using a configuration bit in conjunction with two AND gates so that add and subtract can become increment and decrement.

To determine whether carry is propagated up or down the column of CLBs, a multiplexer selected the carry output of the CLB below or the CLB above.



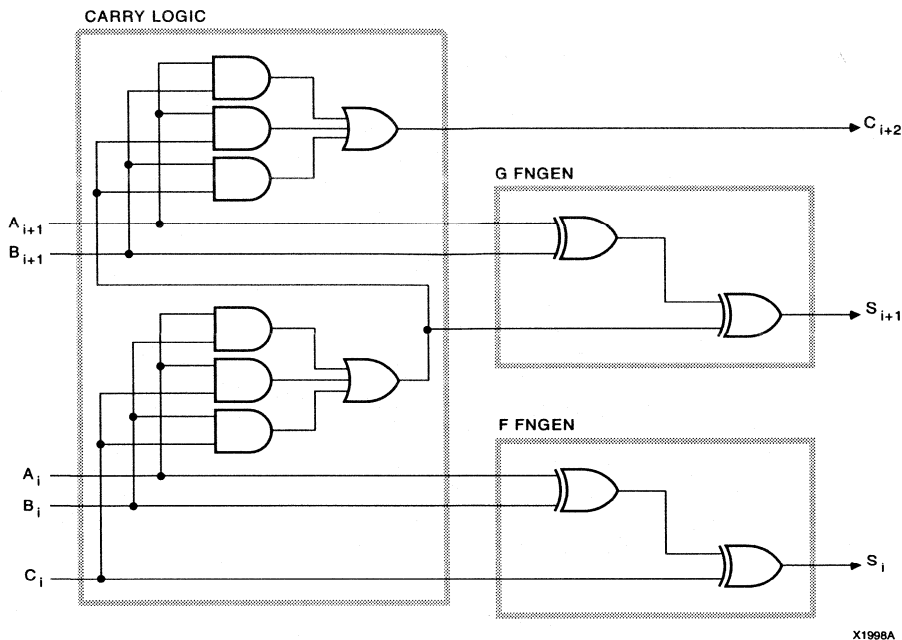


Figure 2. Conceptual Diagram of a Typical Addition (2 Bits/CLB)

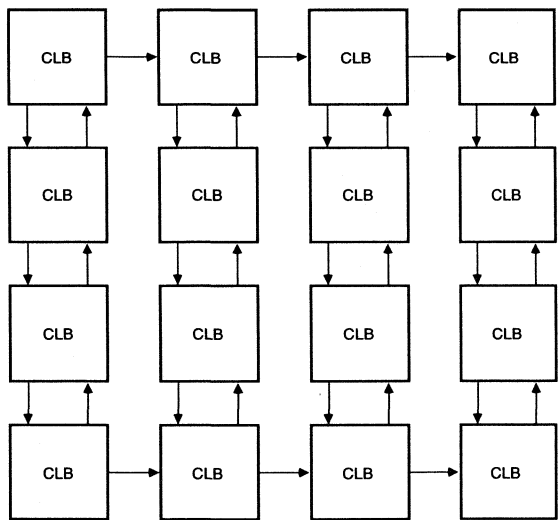


Figure 3. Carry Propagation Paths

If only one adder bit is to be implemented per CLB, the selected carry may be forced to skip the first stage of carry logic. To do this, a configuration bit is set to one and selected to replace the output of the comparator. If the bit is selected and set to zero, an initial value is forced into the carry chain.

This initial value has three sources, determined by the configuration bits. The first source is the configuration bit used to gate out the B operand. When this bit is a one, a 2-operand function is performed, and a one at the carry input provides add-with-carry or subtract-without-borrow (borrow is active Low). When the bit is a zero, a 1-operand function is performed, and the carry chain is initialized with a zero.

The second source is  $\overline{F3}$ . If  $\overline{F3}$  is not selected as the add/subtract control, it is a free input to the carry chain. If it is used to control addition and subtraction, it provides a zero or one such that the initial carry/borrow is unasserted in both cases.

The final source is F1. When initialization is selected, this is a free input to the carry chain.

The second stage of the carry logic may also be skipped, in the same way as the first stage. However, there is no initialization function in the second stage.

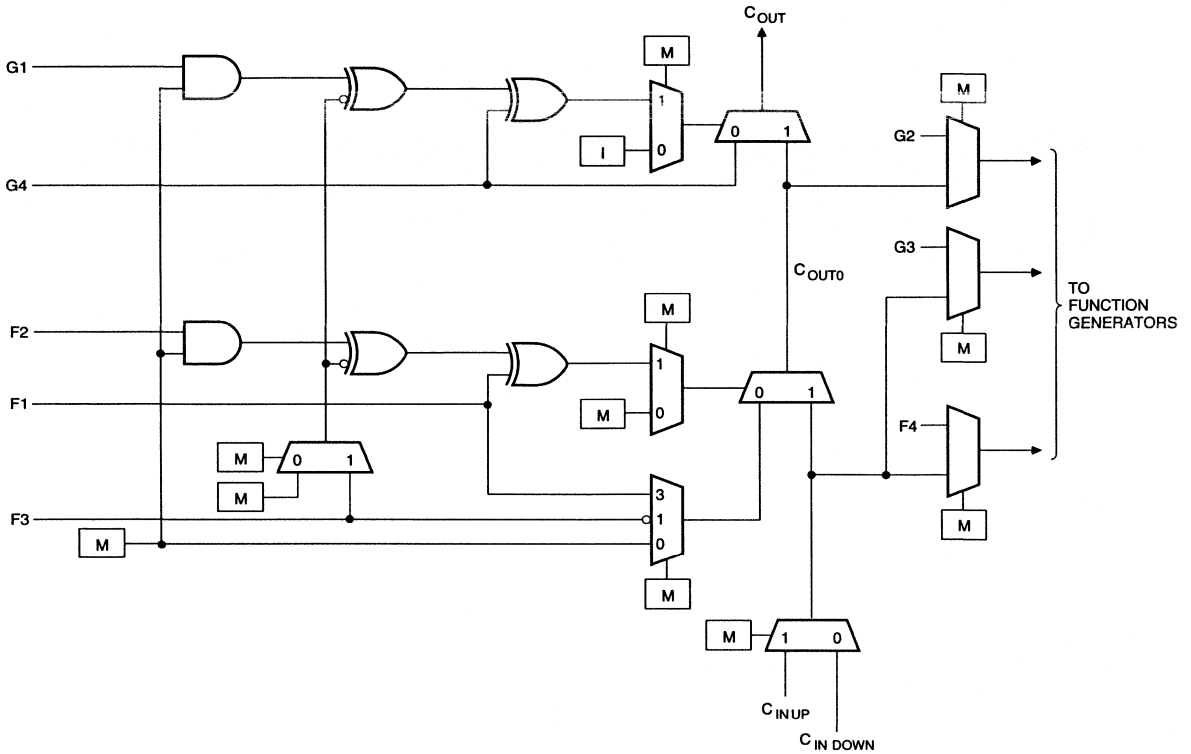
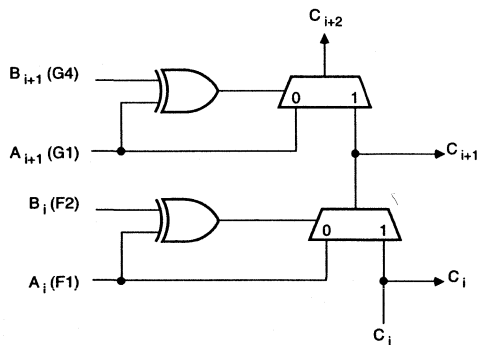


Figure 4. Detail of Dedicated Carry Logic

X2000



X2001A

Figure 5a. Effective Carry Logic for a Typical Addition

A	B	C	C <sub>OUT</sub>
0	0	0	0
0	0	1	0
0	1	0	0
0	1	1	1
1	0	0	0
1	0	1	1
1	1	0	1
1	1	1	1

A = B, C<sub>OUT</sub> = A (for rows 1, 2, 3, 8)  
 A ≠ B, C<sub>OUT</sub> = C<sub>IN</sub> (for rows 4, 5, 6, 7)

X2002A

Figure 5b. Effective Carry Logic for a Typical Addition



## 2-Operand Functions

### Adders

An adder implemented with the dedicated carry logic must have at least two sections: a main section and an initialization section. In the main section, shown in Figure 6, one or two bits of the adder are implemented in each CLB, and  $C_{IN}$  is taken from the dedicated interconnect. Three standard CLB configurations are provided for this purpose: ADD-FG-CI is a two-bit adder, while ADD-F-CI and ADD-G-CI are one-bit adders with the add occurring in F or G, respectively.

$C_{IN}$  can only be driven by other carry logic. At the least significant end of the adder, special attention must be paid to ensure that the carry path is initialized correctly. This is the function of the initialization section.

The design of the carry logic does not provide for the implementation of two adder bits in the initializing CLB. However, a CLB may be used to initialize the carry path and implement the LSB of the adder. The standard CLB configurations for this are ADD-G-F1 and ADD-G-F3-. In

both cases, the addition occurs in G, and the carry input is F1 or F3, respectively.

The use of this technique may create bussing difficulties if other parts of the LCA device have the two LSBs implemented in the same CLB. A second approach that avoids this problem uses a CLB to initialize the carry path without implementing part of the adder.

Four standard CLB configurations are provided for this purpose: FORCE-F1 and FORCE-F3- allow F1 and F3, respectively, to be used as the carry input, while FORCE-0 and FORCE-1 initialize the carry path with a fixed zero or one, respectively. FORCE-0 and FORCE-1 only involve the carry logic, and all the non-carry resources of the CLB are available for other uses.

Optionally, the adder may have a third section at the most significant end, used to create a carry output (other than on the dedicated interconnect) or to detect overflow. Two situations must be considered: where the most significant CLB contains two bits of the adder, and where it contains only one.

If it contains only one bit of the adder, the standard CLB configuration, ADD-F-CI, in Figure 7 should be used. Both  $C_{IN}$  and the most significant carry are available as inputs to the G function generator. The most significant carry may be passed through this, or XOR-ed with  $C_{IN}$  to detect two-complement overflow.

Where both carry and overflow are required, overflow should be generated in the same CLB as the most significant bit. The most significant carry is passed to  $C_{OUT}$ , and an additional CLB may be configured to route it to either the F or G output. The EXAMINE-CI configuration is provided for this purpose.

If the most significant CLB contains two bits of the adder, the situation is more complex. As shown in Figure 8, the ADD-F-CI configuration should again be used, despite the need for a 2-bit adder. The most significant bits of the operands should be connected to the G1 and G4 inputs,  $C_{OUT0}$  selected as the G2 input, and the G function generator manually programmed as if the configuration were ADD-FG-CI. This causes the most significant sum to be generated at the G output. However, the second stage of carry logic will be bypassed.

An additional CLB can then be used to generate the carry and the overflow. This should be configured as ADD-F-CI and the most significant bits of the operands connected to F1 and F2 in addition to the previous connection. This causes the carry stage, bypassed in the previous CLB, to be implemented in the first stage of this additional CLB. In this way, the necessary carries are available in the G function generator for overflow detection as described above.

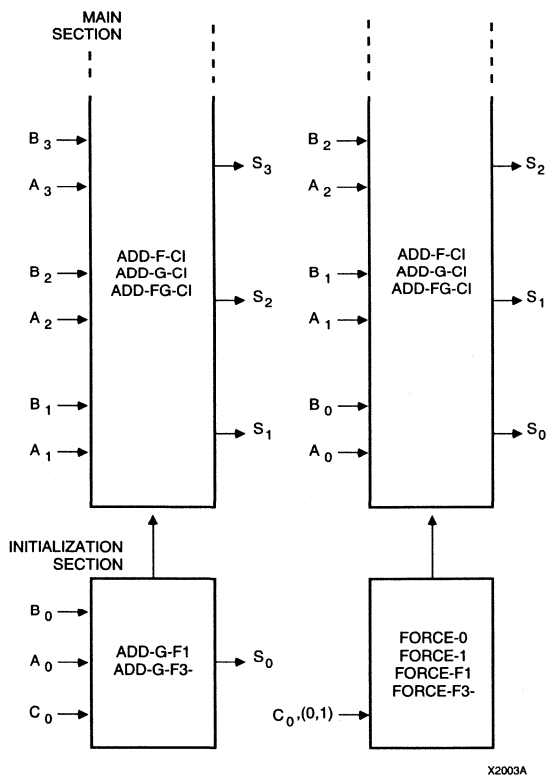


Figure 6. Main and Initialization Sections of Adder

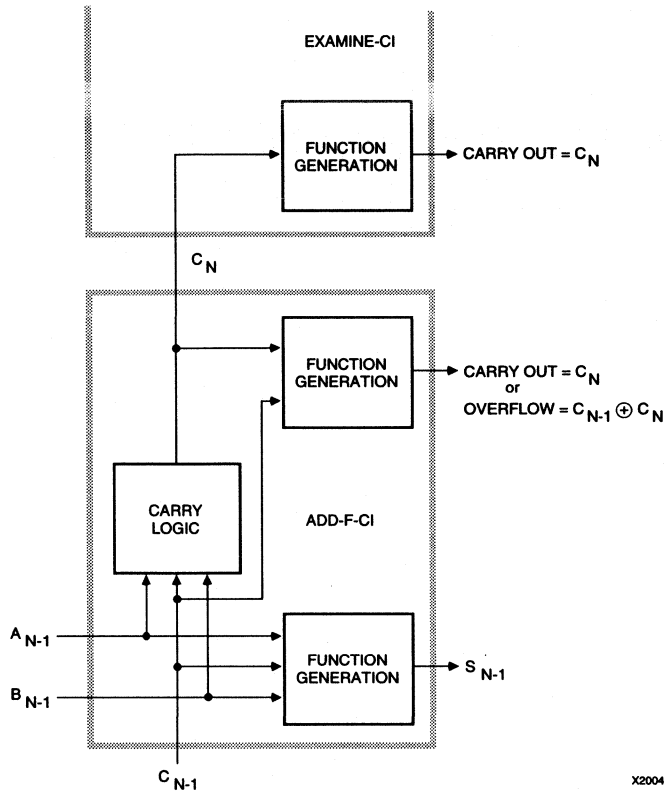


Figure 7. Carry-Out and Overflow Generation

The F function generator may be manually programmed to create the most significant carry from the operand bits and  $C_{IN}$ . This is permissible as the operation of the carry logic is independent of the function generators.

**Subtractors**

Subtraction is, in most respects, identical to addition. The subtraction may be written in terms of an addition as follows:

$$A - B = A + (-B)$$

Multiplication by -1, or two's complementing, is performed by logically inverting the operand and adding one. The final form of the subtraction becomes:

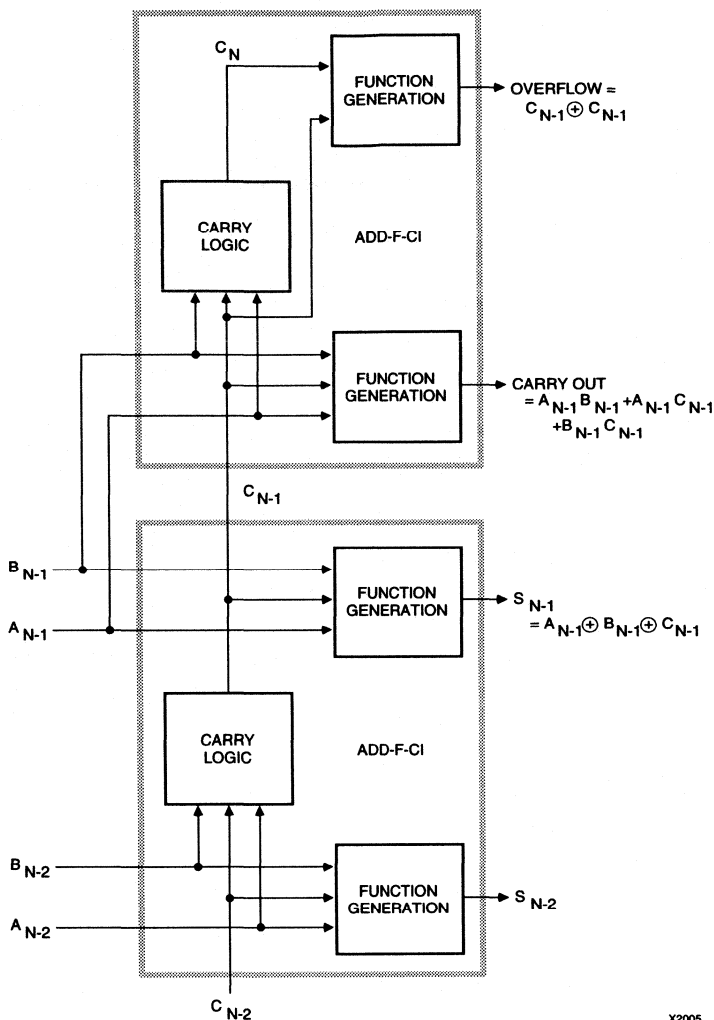
$$A - B = A + \bar{B} + 1$$

Using CLB configurations with a SUB prefix, in place of ADD, causes the B operand to be inverted both into the carry logic and within the function generator. The one can be added by forcing the carry into the adder to be High.

An alternative interpretation is that the inversion changes the adder into a subtractor, with the carry becoming an active-Low borrow. Consistent with the first interpretation, the carry input must be High for borrow not to be asserted. If the carry input is Low, the operation is  $A - B - 1$ .

Apart from using CLB configurations with the SUB prefix and ensuring that carry-in has the right polarity, subtractors may be constructed in the same way as adders. Equivalent configurations exist for all three sections of the subtractor. The only point to remember is that, when manually configuring function generators for the most significant output or carry output, the B operand must be inverted. The definition of overflow does not change.

One configuration that exists for subtraction, but not for addition, is SUB-G-1. In this configuration, the least significant bit of the subtraction takes place in G with the carry input internally forced to a one (no borrow).



x2005

**Figure 8. Carry-Out and Overflow Generation with Duplicated MSB**

### Adder/Subtracters

The adder may be converted to an adder/subtractor by making the inversion of the B operand programmable. This is accomplished using CLB configurations with an ADDSUB prefix.

The ADD/SUBTRACT control is connected to F3, and controls the operation of both the carry logic and the F function generator. If the configuration uses the G function generator, ADD/SUBTRACT must also be connected to G3.

The carry input to the adder/subtractor must be determined by the operation being performed. When an add is

in progress, it must be Low for a carry not to be asserted, and it must be High for a borrow not to be asserted during a subtraction.

This will generally preclude the use of FORCE-0 and FORCE-1 to initialize the carry chain. Otherwise, the adder/subtractor is constructed in the same way as the adder, but using CLB configurations with the ADDSUB prefix.

As in the subtracter, the programmable operand inversion must be remembered in any function generators that are manually configured

## 1-Operand Functions

### Incrementers

Essentially, an incrementer is an adder with one operand zero, and the carry input asserted. Consequently, incrementers are constructed in the same way as adders, but using CLB configurations with an INC prefix. These gate out the B operand.

The carry input should be High to increment the A operand, and Low to pass it unchanged. Alternatively, it may be fixed High for permanent incrementation. This may be accomplished using CLB configurations equivalent to those used to initialize adders. In addition, INC-G-1 and INC-FG-1 allow the carry chain to be initialized with the carry asserted, along with one or two bits of the function.

### Decrementers

These are subtractors with the B operand zero and a borrow asserted. CLB configurations with a DEC prefix gate out the B operand before it is inverted. The carry input should be Low to decrement the A operand, and High to pass it.

Alternatively, a fixed Low may be used. DEC-G-0 and DEC-FG-0 provide this, along with one or two bits of the function. FORCE-0 may also be used.

### Incrementer/Decrementers

Not surprisingly, these are constructed in the same way as adder/subtractors, but using cells with an INCDEC prefix that gate out the B operand. When increment is selected, the carry input should be High to increment or Low to pass. When decrement is selected, the carry should be Low to decrement or High to pass. INCDEC-FG-0 implements two least significant bits of the incrementer/decrementer with the carry or borrow input permanently asserted.

### 2's Complementers

The traditional two's-complement procedure, invert-and-add-one, is not appropriate for use with the dedicated carry logic. In the increment configuration, the A operand cannot be inverted at the input to the carry logic, and using a subtractor for  $0 - B$  consumes unnecessary resources routing the zero operand.

The answer is to replace invert-and-increment with decrement-and-invert, which produces the same result. A conventional decrementer is constructed, and an additional output inversion is programmed into the function generators.

The use of a function generator input allows this inversion to become programmable. In conjunction with control of the carry input, this programmable inversion may be used to twos complement a number or pass it, as required.

## Counters

### Up Counters

An up counter is constructed by combining an incrementer with a register, as shown in Figure 9. Typically, the register in the same CLBs as the incrementer is used, and the sum outputs should be routed to this register. The output of the register is fed back as the input to the incrementer. Each clock, the register is loaded with a value one greater than its previous value.

Any incrementer may be used. If it has the ability to increment or pass the operand, this feature may be used as a count enable.

As shown in Figure 10, counters may easily be made loadable by adding a multiplexer into the function generators. This multiplexer selects between the incrementer output and the value to be loaded as the source for the register.

### Down Counters

Down counters are constructed in the same way as up counters, but using decrementers in place of incrementers.

### Up/Down Counters

Incrementer/decrementers are used for up/down counters. The only significant difference comes in the loadable counter. Because the INC/DEC control is an

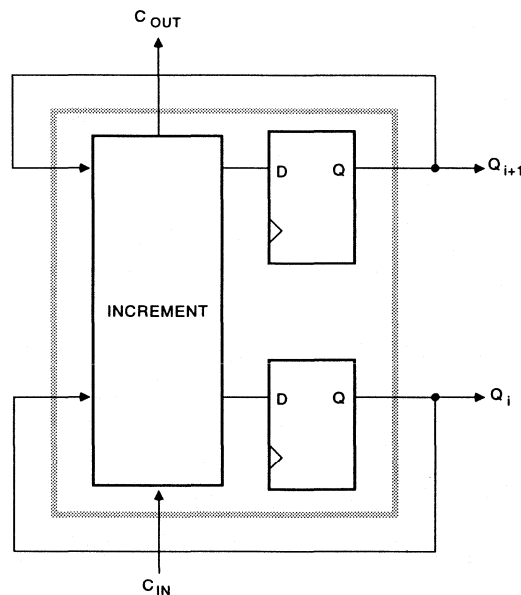
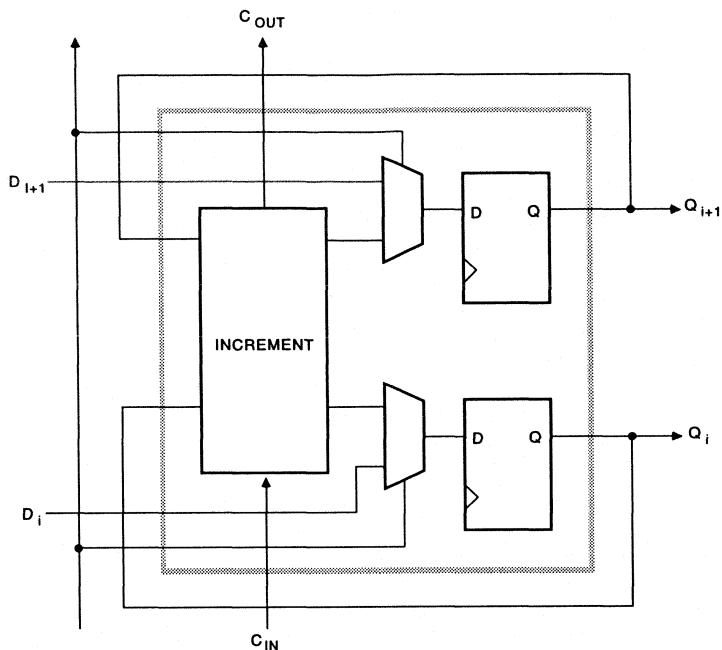


Figure 9. Typical Counter CLB

X2006A



X2007A

**Figure 10. Typical Loadable Counter CLB**

input to the function generators, there are not enough inputs available for the load function. One CLB must be used for each bit of the counter, and there are several ways in which this can be organized.

One possibility is to use a CLB configuration that only implements one bit of the incrementer/decrementer function, as shown in Figure 11. The H function generator can then be used as the load multiplexer. The H1 input acts as the Parallel Enable, and the value to be loaded is passed through the second function generator.

A better choice is to construct the incrementer and decrementer separately in two columns of CLBs with two bits per CLB, as shown in Figure 12. The decrementer is connected as a conventional loadable down counter. In the incrementer, the function generators are modified with a multiplexer, as is it were to be a loadable up-counter. However, the register is not connected, and data is not fed back.

Instead, the input to the incrementer is taken from the output of the down counter, and the incrementer output is routed to what would have been the down-counter load input. The value to be loaded is input to the multiplexer attached to the incrementer.

The load control of the down counter becomes the up/down control, selecting the output of either the incrementer or the decrementer. Data is loaded by replacing the incrementer output with the value to be loaded, and selecting count up. An external gate may be required to force the up/down control.

This second approach has the advantage that its layout is compatible with other functions that implement two bits per CLB. More importantly, however, it is faster. The incremental carry delay is incurred per CLB, not per bit, and implementing two bits per CLB halves the number of carry delays. Also, the set-up time on the up/down control is much shorter. The up/down control need only select the output of the incrementer or decrementer, instead of selecting the increment or decrement function before carry/borrow propagation can begin. Both the incrementer and decrementer operate in parallel, starting immediately after the clock.

Alternatively, an incrementer/decrementer may be implemented in one column of CLBs, with the register and load multiplexers implemented in a second column. A count-enable multiplexer can be built into the same function generator as the load multiplexer. If this is placed logically in front of the load multiplexer, the load control takes precedence over the Count Enable.

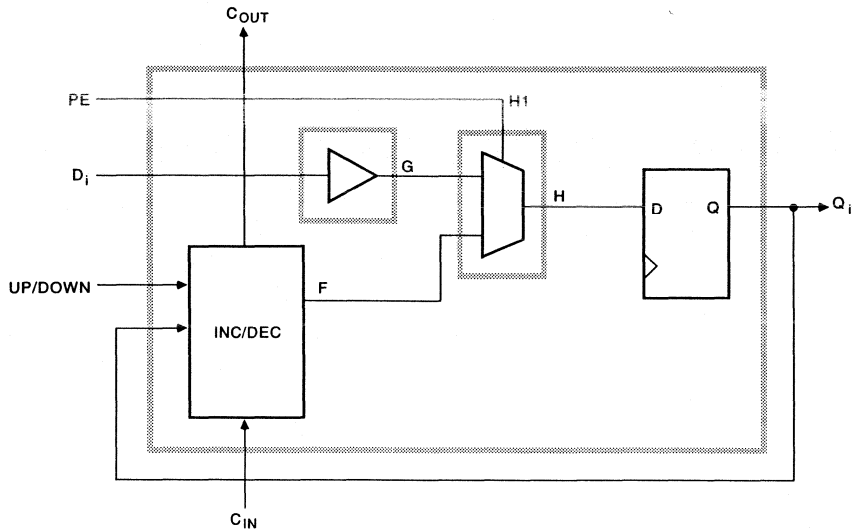


Figure 11. Typical Up/Down Counter CLB

X2008A

This scheme eliminates the additional gating required to ensure that the counter is enabled and counting up during a load. The Load and Count Enable controls are both fast, but the set-up time for the up/down control is similar to the carry-propagation delay.

### Timing Analysis

Typically, the critical delay is from the carry input or operand LSB to the output MSB, carry output or overflow flag. As shown in Figure 13, this delay has three parts: The delay onto the carry chain from the input, the delay from the carry chain to the output and the delay of the intervening CLBs.

If part of the function is performed in the CLB that initializes the carry chain, the delay onto the chain is the greater of the operand-input-to- $C_{OUT}$  ( $T_{OPCY}$ ) and the initialization-input-to- $C_{OUT}$  ( $T_{INCY}$ ) delays. If a CLB is used for initialization only, separate delays must be calculated from the least significant operand input and the initialization input, taking into account the different number of intervening CLBs.

The output delay ( $T_{SUM}$ ) is from  $C_{IN}$  to the output. Each intervening CLB introduces a  $T_{BYP}$  delay.

To calculate the minimum clock period in a counter, the clock-to-output delay and a routing delay must be added to the operand input delay. Typically in a -5 part, this routing delay is 1.5 ns; but this must be verified by simulation after the implementation is complete. The output delay must be replaced with the equivalent set-up time, and the intervening CLBs taken into account, as in the basic delay calculation.

### Configuring the Carry Logic

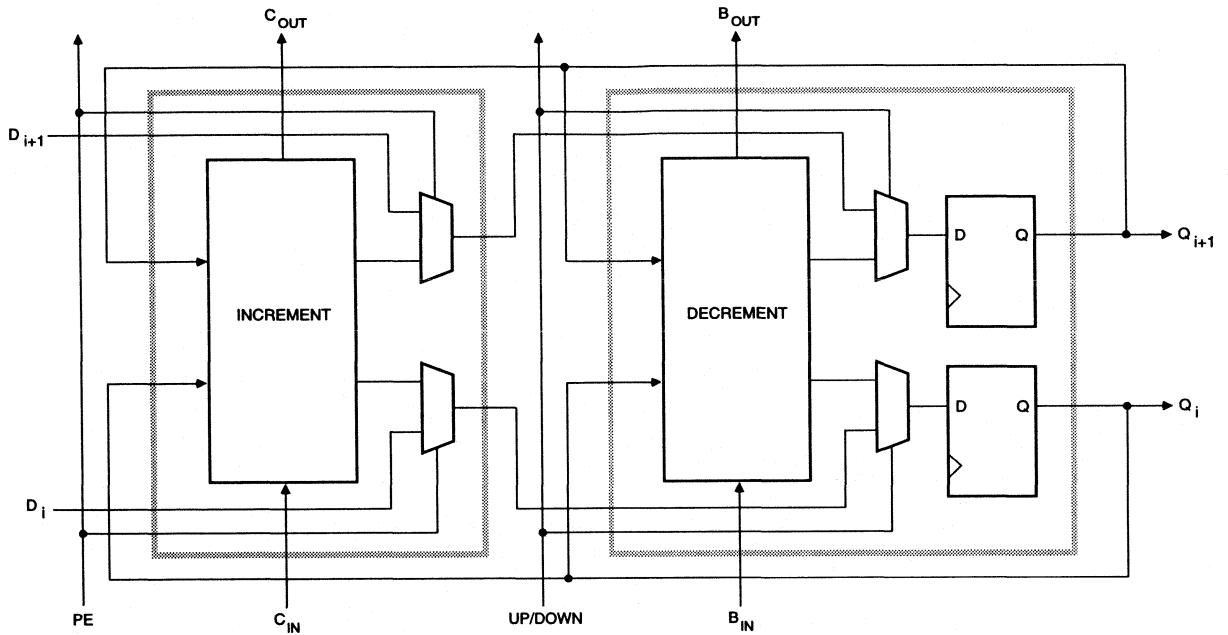
The dedicated carry logic is accessed through the use of hard macros. These are blocks of CLBs that are configured and routed in the XACT Design Editor (XDE), and then converted to macros using HMGEN. When the symbol for the macro is used in a schematic, the relative placement and configuration of the CLBs are retained.

Individual CLBs are configured using the EditBlk command. Within the Block Editor, the ConfigCarry command provides a list of the standard CLB carry configurations. Once a selection is made, the mnemonic for the configuration appears in the Block Editor screen.

The selection causes the F4, G2 and G3 tags to be set according to the chosen configuration, and the appropriate functions are entered into the F and G function generators. If the tags or function generators had been previously defined, they are not overwritten. If the settings values are required, any previous settings must be cleared before selecting the CLB configuration.

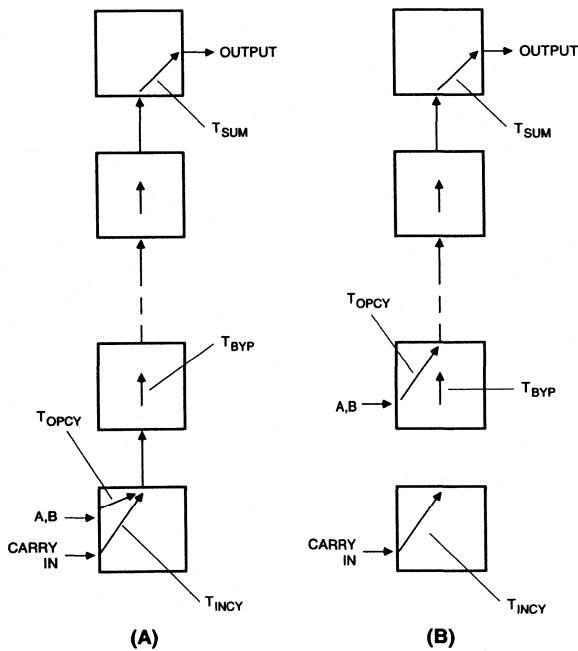
The direction of the carry propagation, up or down, must be selected by the  $C_{DIR}$  tag. In addition, check that the carry inputs and outputs are routed appropriately by the  $C_{IN}$  and  $C_{OUT}$  tags.

If the standard configuration needs to be modified, the changes are simply entered on the Block Editor screen. Once editing of the block is complete, a carry route must be added between adjacent CLBs.



X2009

Figure 12. Up/Down Counter with Separate Incrementer and Decrementer



X2010A

Figure 13. Carry-Logic Delay Paths

## Summary

Using the XC4000 dedicated carry logic, the performance of adders and counters can easily be predicted. This Application Note provides formulae for estimating the performance of such adders and counters.

### *Xilinx Family*

XC4000

### *Demonstrates*

Dedicated Carry Logic

## Introduction

In most LCA designs, performance cannot be estimated with any accuracy until after implementation. This is because the performance is affected by routing delays; and, prior to implementation, these are not known. However, in adders and counters using the XC4000 dedicated carry logic, delay estimation is possible.

The carry path in an adder uses dedicated interconnects between CLBs. These interconnects introduce a fixed delay, even when the carry passes from one CLB column to the next at the top or bottom of the array. This permits the routing delay to be incorporated into the CLB specifications published in the data book. Consequently, the propagation delay through an adder can be calculated directly from the data book specifications.

For a typical adder, this calculation can be reduced to a simple formula. In an XC4000-5\*, the maximum propagation delay from the operand input to the sum output of an N-bit adder is approximately

$$t_{pd} = 8.5 + 0.75N \text{ ns}$$

This estimate does not include the delay from the operand source register to the adder or any additional delay reaching the destination register. However, it is still a useful benchmark.

This formula applies only to simple ripple-carry adders. However, such adders are adequate in most situations; conditional-sum and other adder-acceleration schemes are only appropriate for adders longer than 24 bits.

For an N-bit counter, the minimum clock period that permits the carry path time to settle is approximately

$$t_{clk-clk} = 13 + 0.75N \text{ ns}$$

The following discussion describes how these formulae were derived, under what conditions they apply, and the corrections that must be made when these conditions are not met.

\*Based on the December 1991 Data Sheet

It must be stressed that these formulae are intended only as initial estimation tools. They do not replace the full timing analysis that should be performed after implementation.

## Adders

The above formula for an N-bit adder assumes that N is even and that the adder (excluding any carry-chain-initialization logic) is implemented in N/2 CLBs, Figure 1. In this organization, the least significant two bits share a CLB, and the delay onto the carry chain in this CLB is  $T_{OPCY}$ . The most significant two bits also share a CLB, and, in this CLB, the delay from the carry chain to the most significant output is  $T_{SUM}$ . The intervening N-4 bits contribute a  $T_{BYP}$  delay for every two bits. Because the carry signal uses dedicated interconnects, there effectively is no routing delay in this path.

This permits the propagation delay to be expressed as follows.

$$t_{pd} = T_{OPCY} + (N-4)/2 \times T_{BYP} + T_{SUM}$$

For an XC4000-5

$$\begin{aligned} t_{pd} &= 5.5 + (N-4)/2 \times 1.5 + 6 \text{ ns} \\ &= 8.5 + 0.75N \text{ ns} \end{aligned}$$

In adders with this organization, part of an additional CLB must be used to initialize the carry chain; and this CLB may be used to create a carry input. Delays from this carry input may also be estimated using the above formula. The  $T_{OPCY}$  delay onto the carry chain is replaced by a  $T_{INCY}$  delay onto the carry chain plus an additional  $T_{BYP}$  delay. Conveniently, these delays are equal; delays from the carry input and from the LSB of the operand are the same.

If a carry output or overflow flag is generated, an additional CLB at the most significant end of the counter is required. Consequently, the delay to these outputs is one  $T_{BYP}$  delay (1.5 ns) longer than to the MSB output.



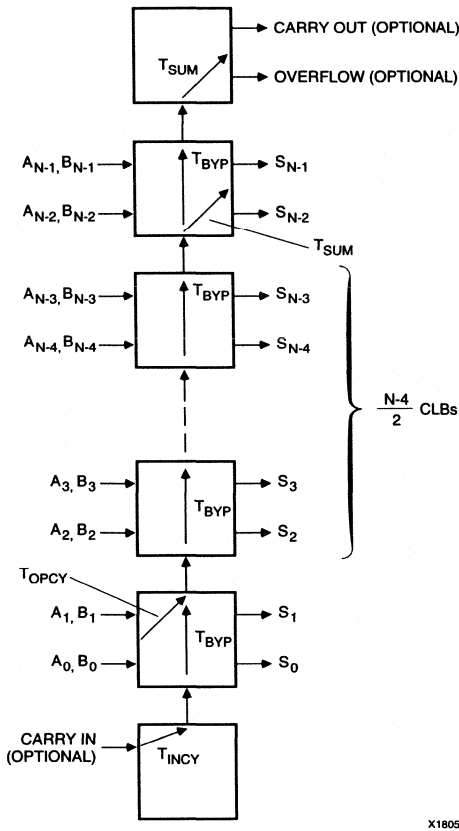


Figure 1. Basic Adder Organization

An alternative organization for the adder (Figure 2) places the LSB and the MSB into individual CLBs, with each pair of intervening bits sharing a CLB. This organization results in one additional pair of intervening bits. Consequently, an additional  $T_{BYP}$  delay (1.5 ns) is incurred in all paths using the carry chain.

In this organization, the carry chain can be initiated in the CLB used to implement the LSB of the adder. In this case, the delay from the carry input is faster than the delay from the operand LSB. The delay is reduced by  $T_{OPCY}$  minus  $T_{INCY}$ ; again, this is 1.5 ns.

In the CLB implementing the MSB of the adder, it is possible to generate either a carry output or an overflow flag, but not both. The delay to this additional output is the same as to the MSB of the adder. If both carry and overflow are required, an additional CLB must be used for one of them, and the signal generated in this CLB incurs an additional  $T_{BYP}$  delay (1.5 ns).

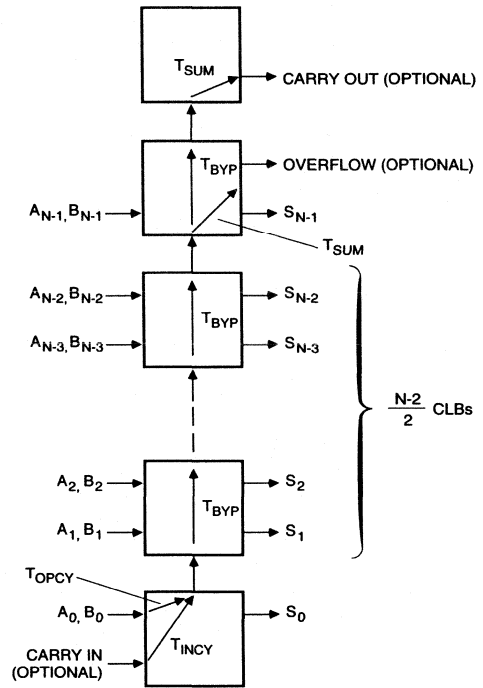


Figure 2. Alternative Adder Organization

The organization of an adder with an odd number of bits is a hybrid of the two organizations discussed above. One end of the adder has two bits sharing a CLB, while the other end has a single bit in a CLB. Either end may have the shared CLB, and this end matches the first organization. The other end, with a single bit in a CLB, matches the second organization.

For delay calculations, the number of bits should be rounded up to an even number. The basic delay formula can then be applied without correction.

If the single bit is at the most significant end of the counter, the least significant end of the counter matches the first organization. If a carry input is provided, the delay from this input must use the adjustment for the first organization. The most significant end of the counter matches the second organization, and delays to carry-out or overflow must use the corrections for that organization. If the single bit is at the least significant end of the counter, this situation must be reversed.

The set-up time from the carry chain to flip-flops in the same CLB matches the CLB output delay from the carry chain. Consequently, all the delays discussed above can

also be considered as set-up times to the register contained in the same CLBs as the adder. Different delay formulae must be derived for adders not organized with two bits per CLB.

### Subtractors and Adder/Subtracters

The performance analysis, described above, also applies to subtractors and adder/subtracters. In an adder/subtractor, however, there is an additional add/subtract control input that must be considered.

To estimate the add/subtract-to-carry delay, the operand-to-output delay, appropriate to the organization, must be modified. Its operand-to-carry delay ( $T_{OPCY}$ ) must be replaced by an add/subtract-to-carry delay ( $T_{ASCY}$ ). This causes an increase of 0.5 ns.

This increase also applies to delays from the add/subtract input to the carry output or overflow flag.

### Counters

The performance of carry-logic-based counters implemented with two bits per CLB can be estimated in a similar way. These include loadable up counters and down counters, and non-loadable up/down counters.

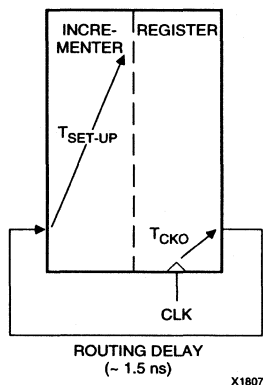


Figure 3. Basic Counter Configuration

As stated above, all of the delay estimates may also be considered set-up time estimates when using the register in the same CLB as the adder. This also applies to an incrementer or decrementer used to implement a counter.

To estimate the minimum clock period, the delay from the register to the incrementer/decrementer must be added to the incrementer/decrementer set-up time, as shown in Figure 3. This additional delay involves a clock-to-output delay ( $T_{CKO} = 3$  ns) plus a typical routing delay of 1.5 ns. Consequently, the minimum clock period for an N-bit counter is

$$t_{\text{clk-clk}} = 13 + 0.75N \text{ ns}$$

This assumes a counter with an even number of bits, organized in the same way as the first adder. If the alternative organization is used, the clock period must receive the same 1.5 ns adjustment that was applied to the adder delay. The carry input to the incrementer/decrementer may be used as a count enable, and the same set-up-time estimate applies. Also, the carry output may be used as terminal count. The delay from the clock to the terminal count output is the minimum clock period with any correction that might be necessary for estimating the carry-out delay with the equivalent organization.

In a non-loadable up/down counter, the add/subtract control becomes up/down. The estimate for add/subtract-to-output delay is equivalent to the set-up time for the up/down control. Loadable up/down counters cannot be organized such that these formulae can be applied.

### Other Speed Grades

Similar estimation formulae can be derived for other speed grades. For an XC4000-6, the basic operand-to-output delay for an N-bit adder is

$$t_{\text{pd}} = 11 + N \text{ ns}$$

The 1.5 ns correction factor, used above, increases to 2 ns, in all cases. The delay increase from the add/subtract input becomes 1 ns.

The minimum clock period for a counter is

$$t_{\text{clk-clk}} = 18 + N \text{ ns}$$

## Summary

This Application Note describes how to estimate the performance of arithmetic circuits that are implemented using the XC7200 dedicated carry circuitry.

## Xilinx Family

XC7200

## Demonstrates

Dedicated Carry Logic

## Introduction

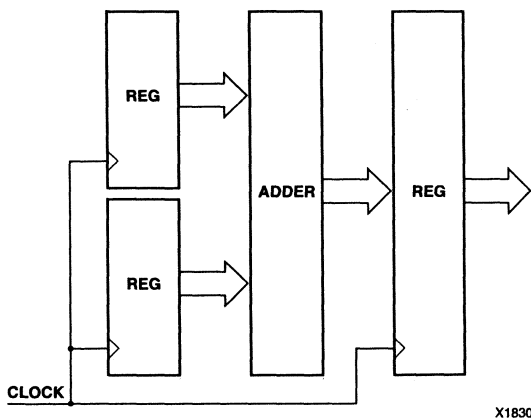
Xilinx XC7200-family EPLDs contain dedicated fast arithmetic carry nets running directly between adjacent Macrocells and Function Blocks. This carry logic supports fast adders, subtractors, accumulators, and magnitude comparators, up to 72 bits long. The use of data-sheet timing parameters to calculate the performance of wide arithmetic functions is explained below.

## Performance Estimation

Performance calculations are based on the circuit shown in Figure 1, which adds two n-bit wide numbers and stores the sum in an output register; input data comes from two on-chip registers. The carry propagation path inside the adder determines the maximum operating frequency of this circuit. The data sheet defines three carry propagation delays.

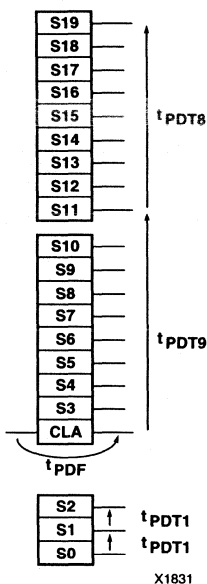
- $t_{PDT1}$  is the carry delay through one Macrocell, i.e., from the output of one Macrocell to the output of the adjacent Macrocell in the same Function Block.
- $t_{PDT8}$  is the carry delay through eight Macrocells, i.e. from the output of the first Macrocell in a Function Block to the output of the ninth Macrocell in the same Function Block. This specification is less than eight times  $t_{PDT1}$  because of test-guardbanding.
- $t_{PDT9}$  is the carry delay through a whole Function Block plus the delay between Function Blocks, i.e. the delay from the output of any particular Macrocell in one Function Block to the output of the equivalent Macrocell in the adjacent Function Block. In some devices, the additional delay when crossing a Function Block boundary makes  $t_{PDT9}$  larger than the sum of  $t_{PDT1}$  and  $t_{PDT8}$ .

A 20-bit adder is used to illustrate the performance calculation. First, draw a block diagram showing how the adder is mapped into the Function Blocks, as shown in Figure 2. In this particular case, it is best to place the three least significant bits into one Function Block. Use the least significant Macrocell in the next Function Block as a carry lookahead over the three LSBs, and place the next eight bits into the remaining Macrocells of this Function Block; then fill the third Function Block with the nine most significant bits.



X1830

Figure 1. Arithmetic Performance Benchmark Circuit



The carry propagation delay is the sum of three ingredients.

- the time to generate the lookahead carry,  $1/t_{CYC}$ .
- the delay through the second Function Block,  $t_{PDT8}$ .
- the delay inside the third Function Block,  $t_{PDT8}$ .

Using XC7272-25 values from the data sheet makes this a total carry delay of 40 ns.

If the adder is made one bit wider, it crosses one additional Function Block boundary. Consequently, the total delay increases by the difference between  $t_{PDT8}$  and  $t_{PDT9}$ ; the 21-bit adder settles in 43 ns.

If the adder is made one bit narrower, there seems to be no gain, since seven times  $t_{PDT1}$  is still more than  $t_{PDT8}$ . In reality, the 19-bit adder will improve by one  $t_{PDT1}$  carry delay, making the total delay about 39 ns.

Figure 2. Adder Block Diagram

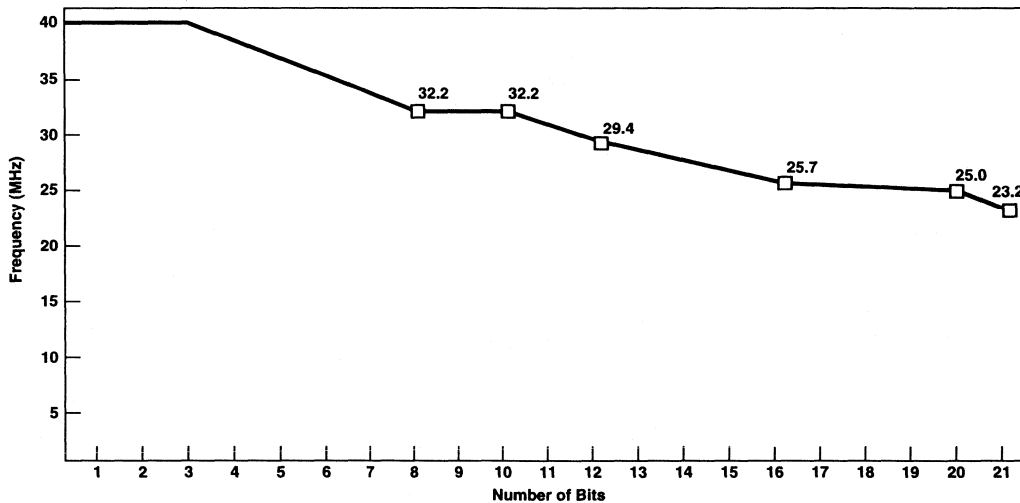


Figure 3. Arithmetic Performance Using 3-Bit Carry Lookahead

*Summary*

This Application Note describes a pipelining technique that significantly improves the throughput of an accumulator.

*Xilinx Family*

XC7200/XC7300

*Demonstrates*

High Speed Arithmetic

**Introduction**

Digital Signal Processing, image processing, and graphics applications require high-performance arithmetic in the data path. The XC7272 can operate as an 18-bit accumulator, running at up to 29 MHz with a pipeline latency of one extra clock, or at 25 MHz without pipeline latency. The pipelined design is described below.

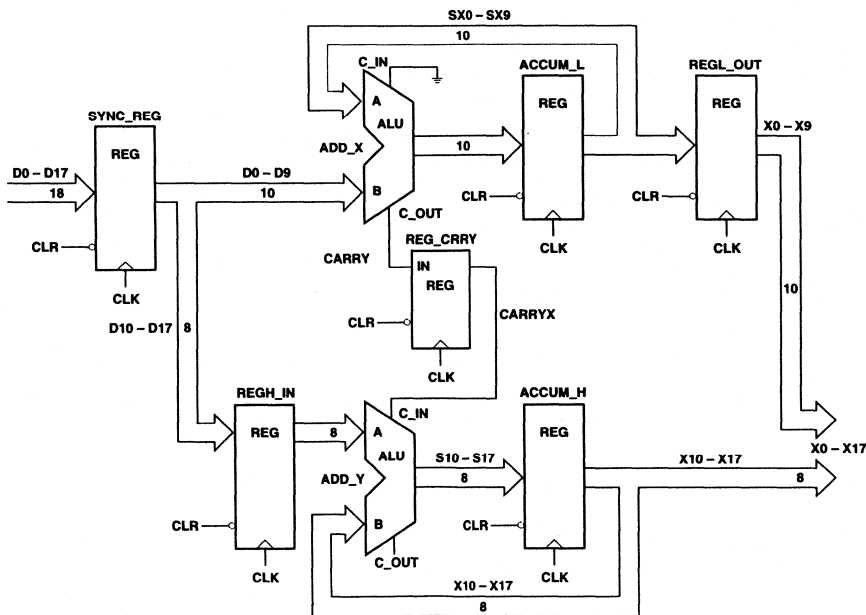
**Operation**

The incoming 18-bit data word is split into two words of unequal length. The lower ten bits are accumulated immediately, while the higher eight bits are registered in REGH\_IN. During the second clock period, the registered

carry-out of the lower word and the registered higher 8 bits are accumulated; the output of the lower 10-bit accumulator is pipelined in REGL\_OUT.

In many applications, an input register improves system timing. It does, however, introduce an additional pipeline delay.

The design uses 40 of the 72 Macrocells available in the XC7272, and takes advantage of the arithmetic carry and ALU capability in each Macrocell. Input registers can be used for synchronizing the input data. In a conventional EPLD, this design would consume more resources, and would run substantially more slowly.



X1804

Figure 1. 18-Bit Adder/Accumulator Block Diagram

## Summary

While XC3000-series LCA devices do not provide RAM, it is possible to construct small register-based FIFOs. A basic synchronous FIFO requires one CLB for each two bits of FIFO capacity, plus one CLB for each word in the FIFO. Optional asynchronous input and output circuits are provided. Design files are available for two implementations of this design. The fastest of the two implementations uses a constraints file to achieve better placement.

## Specifications

Size	8 x 8 Bits
Maximum Clock Frequency XC3100-3	42 MHz
Number of CLBs	40

## Xilinx Family

XC3000/XC3100

## Introduction

In the absence of RAM, XC3000 FIFOs must be constructed with registers. Using both flip-flops, one CLB is required for each two bits of FIFO capacity. For a synchronous FIFO, an additional one CLB per word is required for control. Thus an 8-word by 8-bit FIFO can be implemented in 40 CLBs. Speed is a function of depth, with an 8-word FIFO able to achieve speeds of up to 42 MHz.

Asynchronous inputs and outputs may be added if desired. Each of these adds  $n/2$  CLBs for an  $n$ -bit wide FIFO, plus a few additional CLBs for control logic. Typically, asynchronous inputs and outputs operate more slowly because of the handshake required for synchronization. Where burst input or output speed is required for data transfer, the FIFO should be operated in synchronism with the high-speed port.

The basic designs shown use simple flags that permit the input and output of single words. For block transfers, flags could be generated for signaling the availability of a block of data or space for a block of data.

## Synchronous FIFOs

The basic FIFO design, shown in Figure 1, comprises a broadside shift register; each word has a separate shift enable. A control flip-flop, associated with each word, contains a valid flag that is shifted with the data. The shift-control logic uses these valid flags to generate shift enables and control the flow of data through the FIFO.

Whenever a register does not contain valid data, shift is enabled for that register, and for all the registers upstream from it. This causes data to continuously shift through the FIFO, with valid words backing-up at the output. They remain there until a POP command enables the shift in all the registers in the FIFO. Invalid data is not retained.

Figure 2 shows the detail of the FIFO. For simplicity, only two data bits are shown (the top two rows of flip-flops); all other data bits are identical. The bottom row of flip-flops contains the valid bits. The shift control logic is the chain of OR gates; a column of flip-flops is enabled if its valid bit, or any valid bit to the right, is not asserted.

The POP command acts like an additional active-Low valid bit, which is to the right of all the columns in the FIFO. When it is High, all the registers shift. If the second to last register contains valid data, this is shifted into the last register, and the VALID flag remains High. Otherwise, invalid data is shifted into the last register, and the VALID flag goes Low. The last register continues shifting until it receives valid data, when the VALID flag goes High.

Data can only be written into the FIFO if the first register contains invalid data or valid data that is about to be shifted out. This condition is signaled by the RDY flag, that is also the shift enable for the first register. Conse-

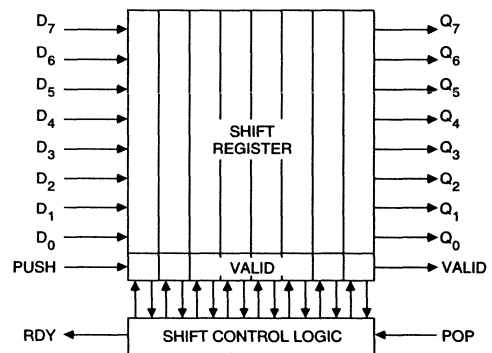


Figure 1. 8-Word x 8-Bit Synchronous FIFO (40 CLBs)

X1975

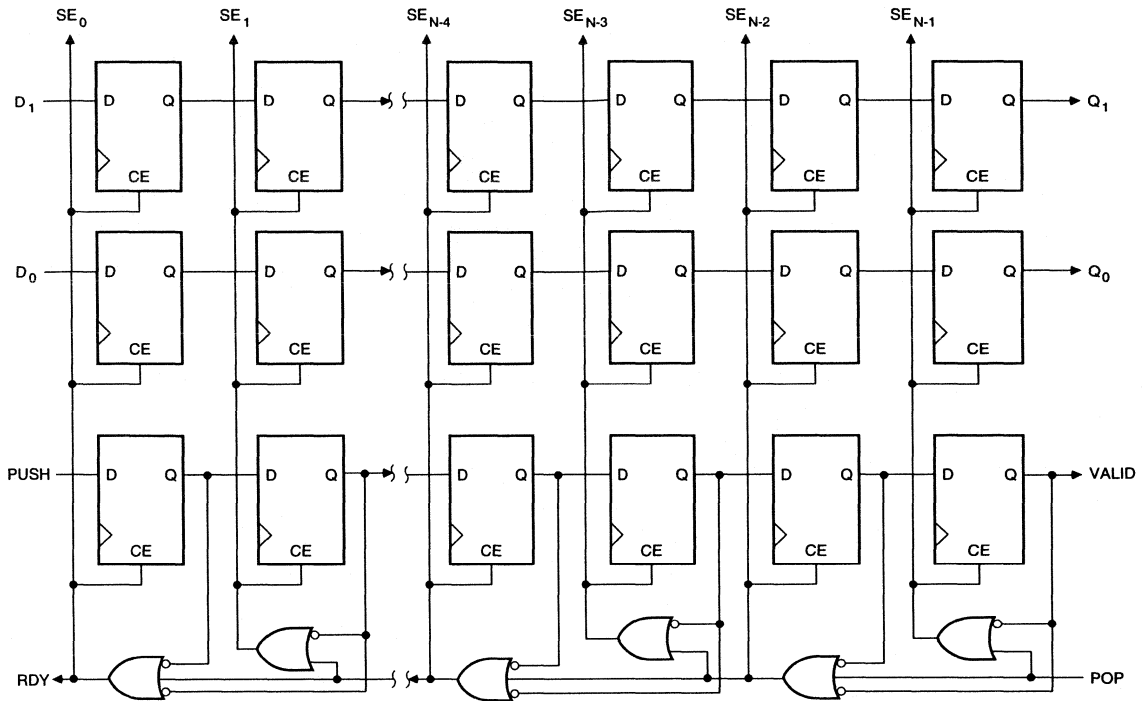


Figure 2. Detail of Synchronous FIFO

X1976

quently, data is always being shifted in when the FIFO is ready. The function of PUSH is simply to identify the data being shifted in as valid, so that it is retained in the FIFO.

In the diagram, the CLB clock enable (CE) is used as shift enable. When combining pairs of flip-flops into CLBs, CE can only be used if adjacent bits of the same register are combined. If it is more convenient, bits of equal weight from adjacent registers may be combined. In this case, function generators must be used to implement shift enable. This entails a simple 2-input multiplexer that selects input data when shift is enabled, and selects existing data from the flip-flop when it is not enabled.

The speed of the FIFO is determined by the ripple-OR time of the shift-control logic, and the distribution and set-up times of the shift-enable signals. This defines the set-up time for the POP command. The settling time for the shift-control logic is one CLB delay per two words of FIFO depth. Longlines should be used to distribute the shift-enable signals.

### Asynchronous Input Stage

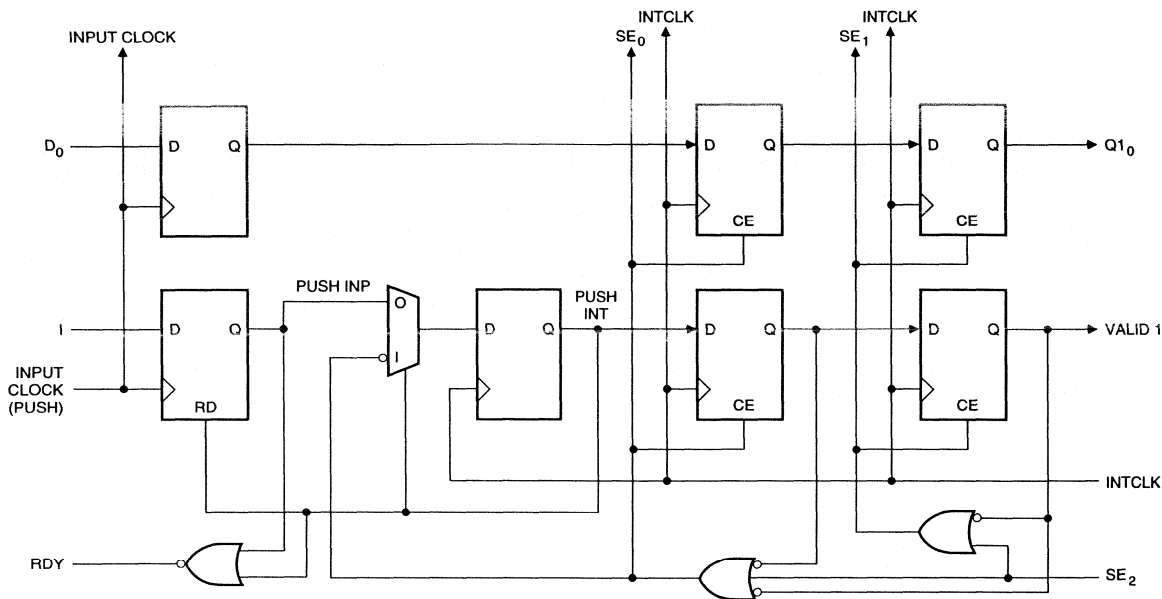
Asynchronous data may be entered into the FIFO using the circuit shown in Figure 3. An additional input holding

register is provided to facilitate edge-triggered input. If appropriate, this can be implemented in IOB registers.

Data may only be entered when the RDY flag signals that the input register is available to accept it. The input clock (PUSH) also asserts the PUSH INP signal which removes the RDY flag. On the next internal clock, PUSH INT is asserted and PUSH INP cleared. When shift is enabled into the first register of the FIFO, data is transferred out of the holding register, PUSH INT is cleared and RDY is reasserted.

If data is being input from a synchronous system that is not synchronized to the FIFO internal clock, the circuit shown in Figure 4 should be used. Again, an input holding register is provided. However, it is enabled by PUSH, instead of being clocked by it (an IOB register cannot be used). As before, PUSH causes PUSH INP to be asserted. Feedback around the flip-flop sustains PUSH INP until it is recognized by the internal clock, permitting the PUSH command to be removed after the one input clock.

The entry of data into the FIFO proceeds as in the previous scheme. RDY is registered to synchronize it to the input clock. The negative clock edge is used for this, so



X1977

**Figure 3. Asynchronous Input Stage**

that, if the FIFO is sufficiently fast and is not full, the RDY flag will remain set, and data can be entered on successive input clocks. If the positive clock edge had been used, RDY would always be Low for at least one clock. At best, this would only permit data to be entered on alternate input clocks, no matter how slow.

### Asynchronous Output Stage

The circuit shown in Figure 5 should be used, if an asynchronous output is required. For an immediate, edge-triggered output, a holding register is provided, which is clocked by the output clock (POP). IOB flip-flops may be used for this register.

The output register may only be clocked when the RDY flag signals that data is available in the last register of the FIFO. The output clock causes data to be transferred out of the FIFO, and asserts POP OUT. This removes the RDY flag. On the next internal clock, POP INT is asserted and POP OUT is cleared. POP INT is held, and the FIFO shifts, until the last register again contains valid data. It is then cleared, and the RDY flag is re-asserted.

If data is being output to a synchronous system that is not synchronized to the FIFO internal clock, the circuit shown in Figure 6 should be used. The output register, which cannot be implemented in IOBs, is enabled by POP. POP also causes POP OUT to be asserted. Feedback around

the register sustains POP OUT until it is recognized by the internal clock, even if POP is removed and another output clock occurs.

The transfer of data out of the FIFO proceeds as in the previous scheme. RDY is synchronized with the negative edge of the output clock. As a result, data can be output on successive clocks if the FIFO is fast enough and data is available.

### Implementation Notes

The obvious organization for the FIFO is as a rectangular array of CLBs, with the control logic in the bottom row. The flip-flops may be partitioned into CLBs in two ways. If adjacent bits of the same word are combined, the result is a FIFO that is twice as wide as it is tall (assuming equal numbers of bits and words).

Alternatively, two bits of equal rank from adjacent words may be combined. This gives a FIFO that is twice as tall as it is wide and is potentially faster. The critical path through the control logic passes through a chain of half as many gates as there are words. The tall, narrow organization allows these gates to be implemented in adjacent CLBs with zero-delay direct interconnects.

Both forms of the FIFO are available as macros, using CLBMAPs.





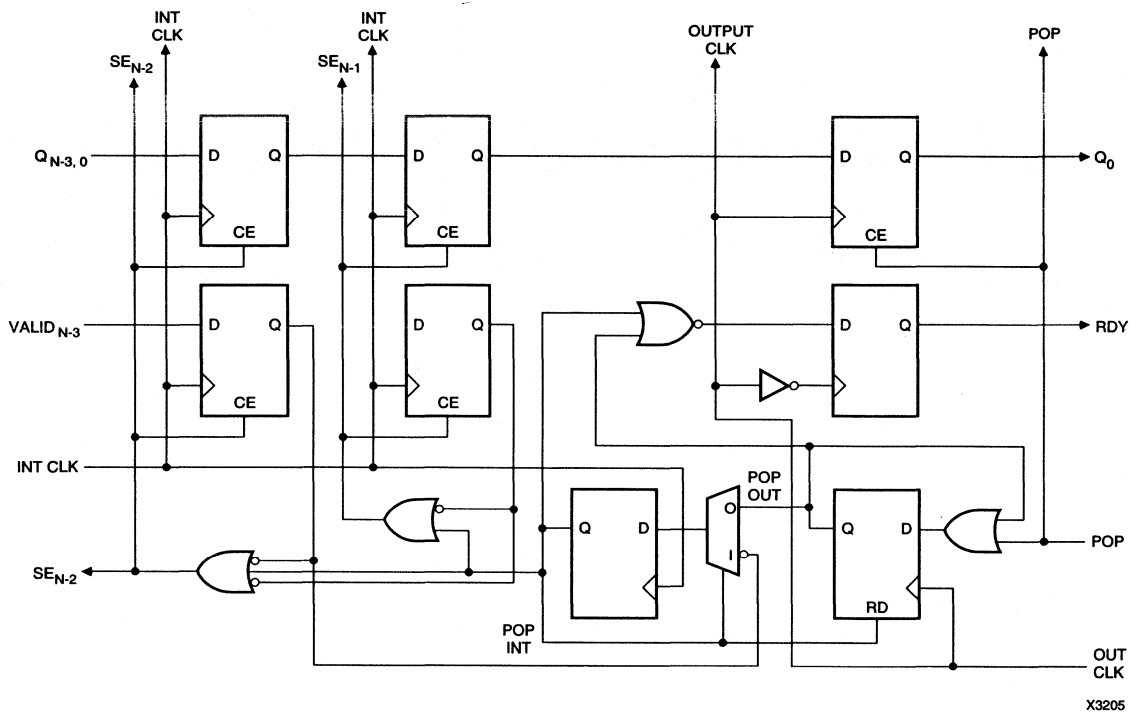


Figure 6. Asynchronous Output Stage (To Synchronous System)

*Summary*

The XC4000 family of LCA devices permits CLB look-up tables to be configured as user RAM. This Application Note provides background information for users of the feature, and discusses a variety of applications.

*Xilinx Family*

XC4000

*Demonstrates*

XC4000 RAM Capability

**Introduction**

LCA devices emulate logic using a look-up-table-based architecture. The look-up tables are implemented in static RAM that is written during configuration and read during operation. Unlike previous LCA families, the XC4000 family also permits the RAM to be written during operation. Using this feature, internal RAM can be included in user designs.

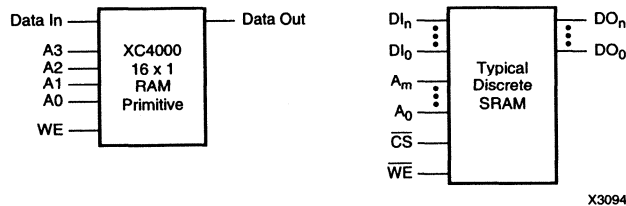
The RAM function in the XC4000 permits a significant increase in the system functionality that can be implemented in an FPGA. This includes traditional RAM-based logic such as FIFOs, LIFOs, register files, as well as novel applications such as the RAM-based shift register described in this application note. Interfacing to the RAM is not particularly difficult, but it requires an understanding of the issues involved.

With ~10 ns cycle time, the XC4000 RAM is much faster than the memories with which most designers are familiar; most discrete SRAMs have cycle times of 55 ns or longer. Consequently, the design of XC4000 control circuitry is more critical. Many factors, such as interconnect delays, that can usually be ignored in discrete RAM designs cannot be ignored in an LCA RAM design. Using the XC4000 RAM is like using very fast discrete SRAMs (<25 ns cycle time), where similar factors must be considered.

Figure 1 shows the address, data and control signals available on the XC4000 RAM compared to those of a discrete SRAM. Notice that the output of XC4000 RAM is permanently active, since it does not have a Chip Enable control. If a 3-state output is required the Data-Out signal can be connected to a TBUF input, as described later. Another difference is that the Write Enable on the XC4000 RAM is active High, while it is typically active-Low on discrete SRAMs. Some functional differences also exist, and are described later in this section.

A further point to note is the granularity of the XC4000 RAM. The example shown is a 16 x 1 memory, the smallest XC4000 RAM primitive. A similar 32 x 1 primitive exists; both these primitives can be combined to provide larger memories. In contrast, the smallest monolithic SRAM used in today's designs is generally 4K bits.

XC4000 RAMs consume CLB resources that could otherwise be used to implement logic, and large RAMs may restrict the amount of logic that can be included. Table 1 shows the resources used by each of the RAM primitives, and how many of each could be implemented if various members of the XC4000 family were entirely devoted to RAM. As may be seen, the total amount of memory that can be implemented in an entire XC4010 is only 12,800 bits, making it a very inefficient replacement for large SRAMs



**Figure 1. XC4000 RAM and Discrete SRAM Connections**

**Table 1. Trade-off Between RAM Primitives and Logic.**

Note: If all CLB's are used as RAM there are none available for logic implementation

RAM Module	Equivalent Logic	Maximum Number of RAM Modules		
		XC4003	XC4005	XC4010
16 x 1	4-input Function Generator (F or G)	200	392	800
32 x 1	Two 4-input Function Generators and One 3-input Function Generator (F+G+H)	100	196	400

The XC4000 RAM is intended for use in small, fast RAMs in applications like FIFO buffers, scratch-pad memories and register files. For applications that require larger RAMs, it is generally more cost effective to use an external monolithic SRAM connected to the XC4000. This would, however, increase the number of I/O pins needed on the FPGA, and potentially decrease the speed of the design due to the off-chip memory accesses.

Figure 2 shows the read-cycle timing of the XC4000 RAM compared to that of a discrete SRAM. For the comparison, the SRAM is executing an address-controlled read cycle, where the Chip Select signal is permanently asserted, since the XC4000 RAM primitives do not have Chip Select control. The Write Enable signal is not shown in these diagrams, and must be remain inactive during a read cycle in both cases. The diagrams are not drawn to scale to permit the relative shapes of the waveforms to be compared more easily.

The diagrams are very similar. The only difference is that on the discrete SRAM, the output data cannot change for

a period,  $t_{OH}$ , after an address change, while it can change immediately in XC4000 RAM. This parameter is not specified explicitly, but the output of any CLB must be considered invalid immediately following an input change. This is not a problem in most designs.

The corresponding write-cycle comparison is shown in Figure 3. To match the XC4000 RAM, the SRAM timing is for a Write-Enable-controlled write cycle, where the Chip Select signal is permanently asserted. Again, the diagrams are not drawn to scale so that the relative shapes of the waveforms can be compared easily.

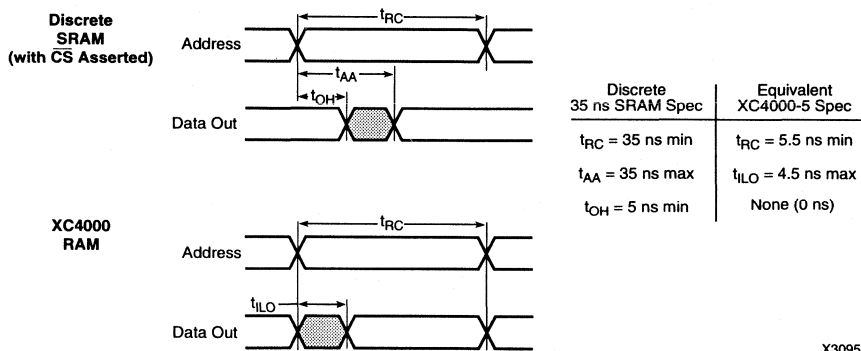
The primary difference between the discrete SRAM timing and the XC4000 RAM timing is the address hold parameter ( $t_{WR}$  on the SRAM,  $t_{DH}$  on the XC4000). In the XC4000, the address **must** remain stable for 2 ns after the Write Enable signal has been removed. This difference significantly impacts the design of the control logic, as will be discussed later.

While the Data Out signals are not shown in these diagrams, these, too, are different. In most discrete SRAMs, the Data Out signal is high impedance during the Write-Enable-controlled write cycle. In the XC4000 RAM, however, the data output has no high-impedance state and, therefore, remains active.

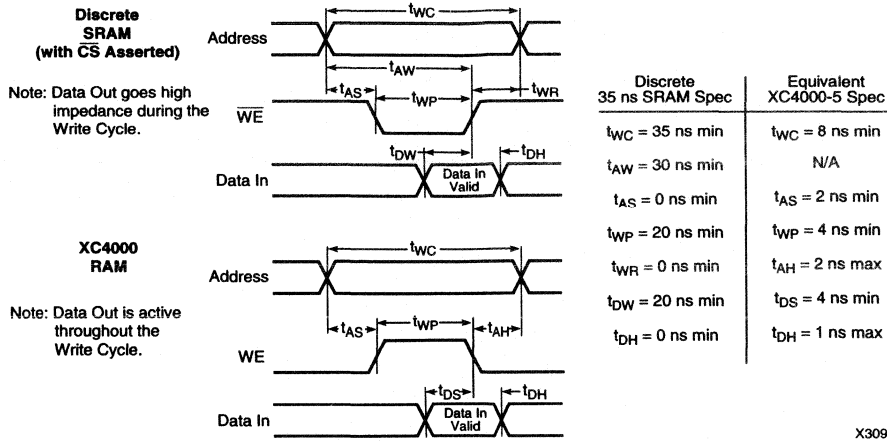
The write cycle starts by reading the existing data in the location addressed, and then, after WE is asserted, changes to reflect the new data. For the exact timing data output signal, please refer to the timing diagram "Read during Write" in the XC4000 data sheet.

**Potential Control Logic Problems**

As in any XC4000 design, the primary concern in a RAM design must be to meet the worst-case timing requirements described in the data sheet. Failure to do so can result in a design that appears to work perfectly correctly



**Figure 2. XC4000 RAM and Discrete SRAM Read Cycles**



X3096

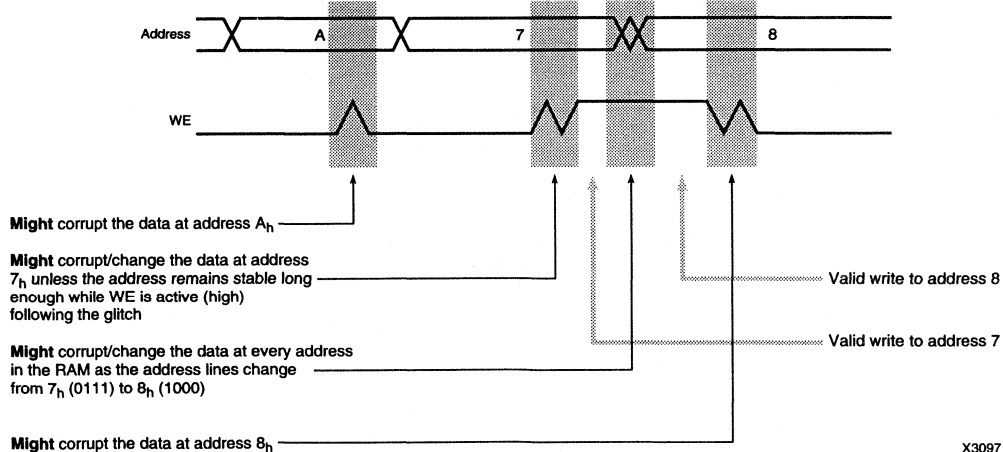
**Figure 3. XC4000 RAM and Discrete SRAM Write Cycles**

on the bench, but fails at a temperature extreme, at a  $V_{CC}$  extreme, or with a device from a different production lot.

A second area of concern is signal glitches, which must be avoided at all costs. Two types of glitches can cause problems in any SRAM-based design: glitches on the WE line and glitches on the address lines while WE is asserted. As has been stated earlier, the XC4000 RAM is extremely fast, and even glitches that do not meet the minimum specification for guaranteed operation can disrupt the contents of the RAM. The areas of primary concern are shown in Figure 4.

Figure 5 shows an example of a glitch-generating control circuit that might be used to generate the WE pulse in a FIFO. Notice in the timing diagram that the WE pulse is generated perfectly when Q0 and Q1 are both High. The glitch can occur as Q0 changes from 1 to 0 and Q1 “simultaneously” changes from 0 to 1; if Q1 changes before Q0, there is a momentary state that meets the requirements of the AND gate to generate WE.

This circuit might be adequate in a discrete RAM design. By judicious choice of components, the minimum timing specifications of the counter and the AND gate could be matched to ensure that glitches do not occur. Such



X3097

**Figure 4. Typical Glitches That May Cause an XC4000 RAM Design to Fail**

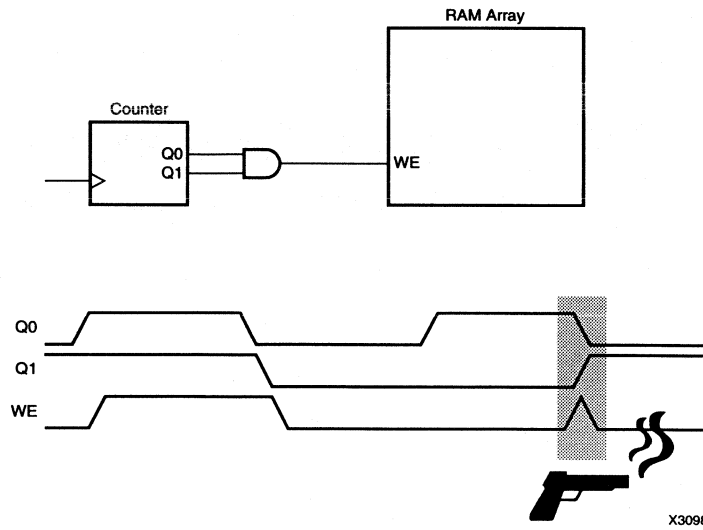


Figure 5. Example of a Marginal WE Generation Circuit

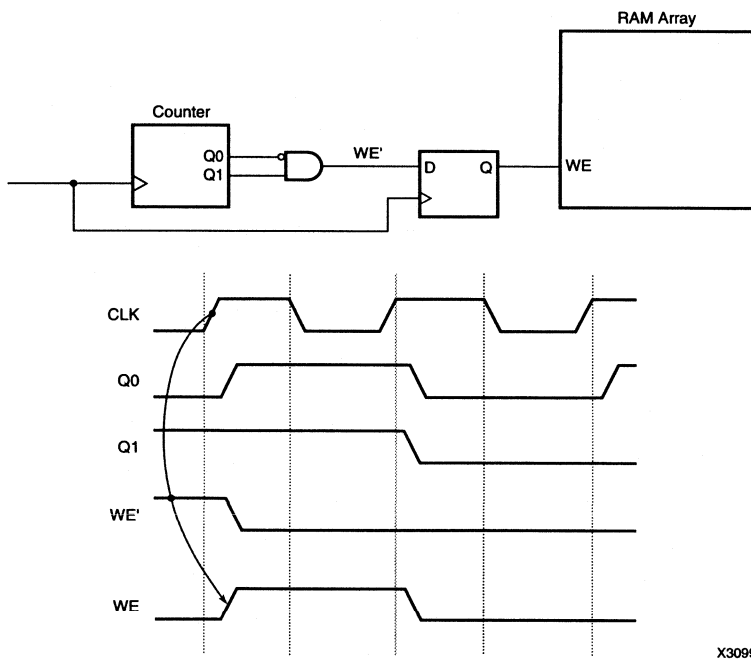


Figure 6. Example of a Glitch-Free WE Generation Circuit

matching is not possible in an FPGA environment, where the possibility of glitches is increased by the high speed of the logic functions and the relatively long routing delays. Figure 6 shows a better, glitch-free circuit.

In general, some valid techniques used in a discrete design can create marginal designs in the high-speed LCA environment. Avoid asynchronous circuits like the plague. With a little thought, most things that are done asynchronously can be better done synchronously. If necessary, use small Gray-code or Johnson counters that can be decoded in a hazard-free manner. In a Xilinx FPGA, such counters are as easy to implement as binary counters.

### Routing Delay Issues

FPGA routing delays can cause a circuit that works at speed on paper not to operate under worst-case conditions. In this situation, worst-case conditions must be interpreted as slow operation, fast operation, or any combination of these that causes a malfunction. The following issues should be considered.

- The WE signal is skewed in time by the routing delay introduced by its net. Make sure that the circuitry used to control the address and data signals takes this into account. The  $t_{AH}$  and  $t_{DH}$  requirements must not be violated.
- Compared to small RAM arrays, large RAM arrays have higher fan-out address lines with longer routing delays. Consequently, for a given speed, the address-generation circuits have less time in which to operate. Generally, large, fast RAM arrays require more ingenious control circuitry, and may necessitate partial

duplication of the address circuitry to drive separate segments of the RAM array.

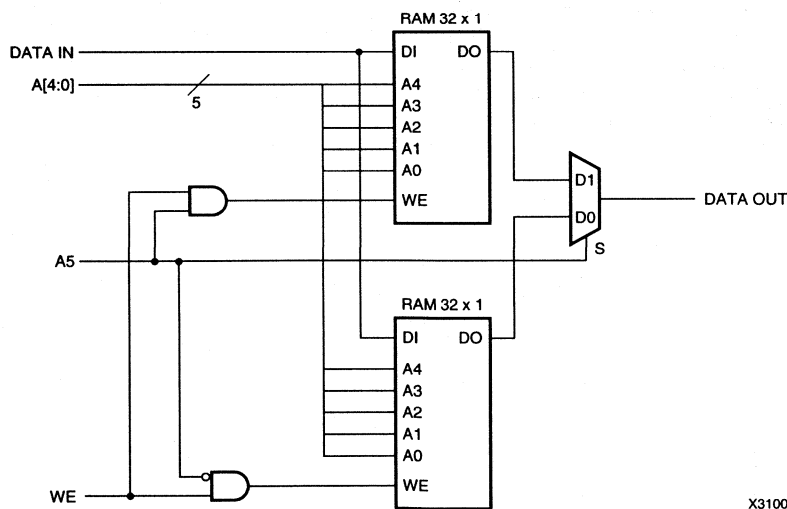
- RAM modules which need to run at speed benefit greatly from manual placement. It pays to create a trial design that only implements the RAM and its control logic. This small design can be quickly placed and routed, and then optimized in the XACT Design Editor (XDE). The optimized placement can then be incorporated into the main design using location constraints. Alternatively, the RAM portion can be converted into a hard macro, thus preserving its relative placement.

### Creating a RAM Array

The XC4000 RAM is accessed as 16 x 1 and 32 x 1 primitives. In RAM applications requiring less than 16 words, 16 x 1 modules must be used with any unused addresses tied to ground or  $V_{CC}$ . 16 x n and 32 x n arrays can easily be created by connecting several of these primitives in parallel with common address signals.

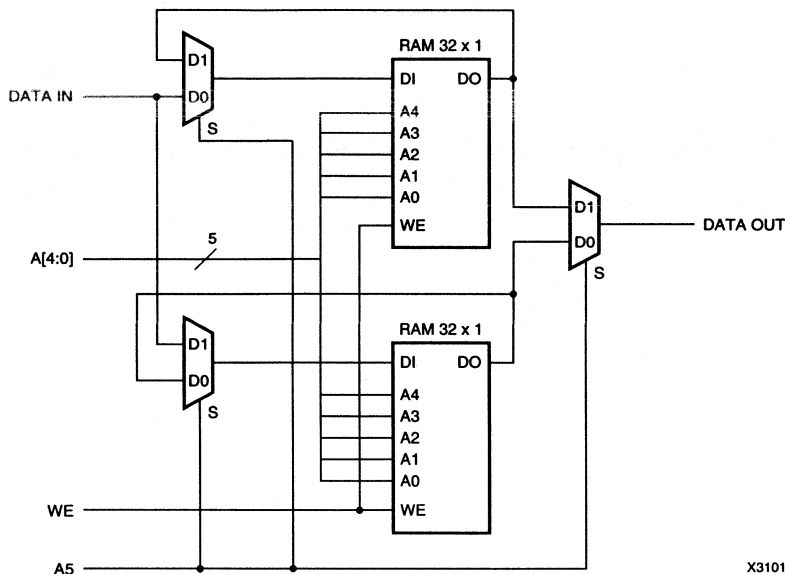
For depths greater than 32 words, a RAM array must be constructed as shown in Figure 7. In this example, two 32 x 1 primitives are combined to implement a 64 x 1 RAM. The most significant address bit is used to select between the primitives, while the remaining address bits are common to both. During a read cycle, selection between the primitives involves multiplexing the output data. For a write cycle, the data is common to both primitives, and the WE pulse is gated to enter the data into only one.

TBUFs could be used to create the output multiplexer. However, at least half of a horizontal Longline would be



X3100

Figure 7. 64 x 1 RAM Array



X3101

**Figure 8. Alternative 64 x 1 RAM Array**

consumed for each bit of RAM width, and TBUFs are slower than small logic-based multiplexers. Consequently, the use of TBUFs is only recommended for very deep RAM arrays.

Gating the WE pulse increases the delay in the WE path. This delay is not usually a problem in slower RAM applications; but, as the write-cycle time decreases, the additional delay can become unacceptable.

Figure 8 shows an alternative technique. While new data is being written into the selected primitive, the existing data is re-written into the non-selected RAM primitive. This technique introduces additional delay into the data input path, but maintains the minimum delay in the WE path, which is often the critical path. The circuit choice depends on the timing requirements of the specific system.

These expansion techniques are directly analogous to depth expansion in discrete RAMs. The only differences are the explicit output multiplexer, which would be implemented using 3-state busses in the discrete case, and the Write Enable gating, which is integrated into discrete RAMs.

#### Emulating SRAM with Bidirectional Data Pins

Some commercially available discrete SRAMs have a single Data Input/Output pin. This type of SRAM can be emulated in the XC4000 using the circuits shown in Figure 9. In Figure 9a, the multiplexing is performed using IOB elements; the signals inside the FPGA are unidirectional.

In Figure 9b, the bidirectional data line is extended into the FPGA and the RAM uses TBUFs to drive the data line. This circuit is appropriate where multiple data sources are required to read/drive the data line at different times.

Note that in Xilinx FPGAs, the 3-state buffers (TBUF, OBUFT) have enable signals that are active-High 3-state controls, i.e., when a logic 1 is applied, the output of the buffer is high impedance, and when a logic 0 is applied, the output is active. The T pins can be viewed as active-Low Output Enables.

#### Recommended Control Logic Schemes

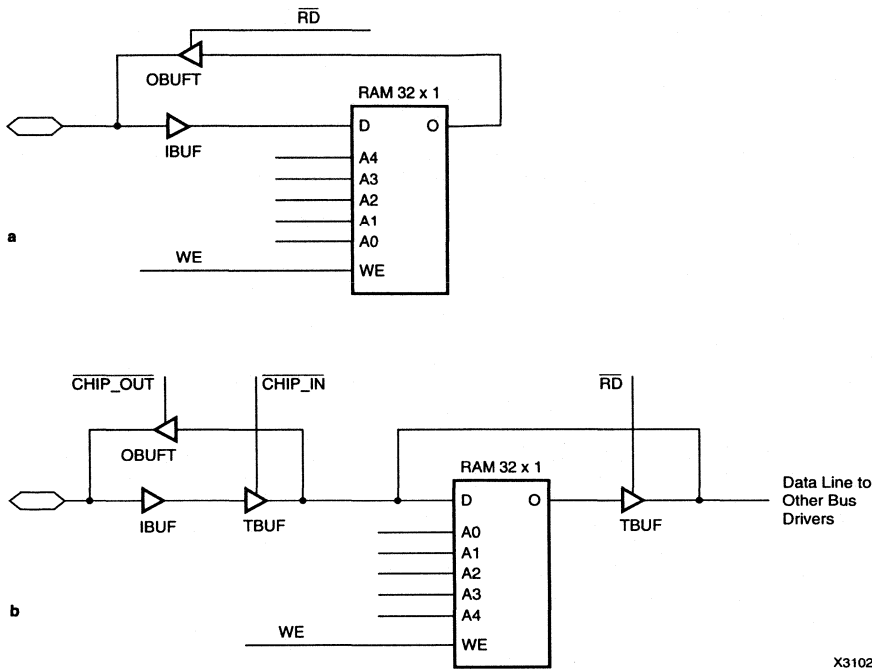
There are many ways to generate the WE signal for the XC4000 RAM. The choice is design dependent, and a major factor is whether the design is synchronous or asynchronous. In an asynchronous design, the WE pulse is generated from a signal originating outside the FPGA that may be gated with internally generated signals. In a synchronous design, the WE pulse is generated by logic that is completely within the FPGA.

#### Asynchronous Control Logic

In the asynchronous case, each design will be different, and depend on the external signals that are available. Consequently, it is impossible to make firm recommendations. However, the following discussion should illustrate some basic techniques.

Asynchronous designs generally take the form shown in Figure 10. External signals from an interface, usually a





X3102

**Figure 9. Methods of Emulating a RAM that has Bidirectional Data Pins**

microprocessor bus or a system backplane, are used to generate the address, control and data to the RAM. Typically, the designer is required to combine input signals to control the RAM. While bus transfers are often fast, the read cycle is usually not a problem; it is the write cycle that is difficult.

The biggest problems facing the designer are the following.

- How to create a WE signal that, at the same time, is compatible with the data and address timing of the system bus and meets the set-up and hold-time requirements of the RAM.
- How to create such a WE signal with no glitches.

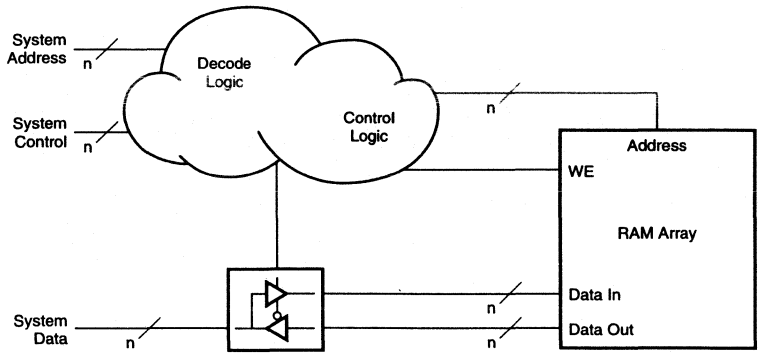
Solving these problems requires creativity. The following example describes how to solve a typical problem.

Figure 11 shows the system timing for the read and write cycles of a typical microprocessor. As mentioned previously, the design of the read-cycle control logic is rarely a problem, since the necessary interface signals are usually present early in the cycle. All that needs to be generated is a subset of the address for the RAM, and an enable signal to the output drivers. This can be done using the circuit shown in Figure 12.

The XC4000 wide decoders can be used to generate an address valid signal that can be gated with other interface control signals. The resulting signal indicates whether the RAM is being addressed during the current cycle. If the current bus cycle is a read, this signal should be registered by a flip-flop on the rising edge of T2. The resulting Qualified Read signal is used to enable the output buffers. The portion of the microprocessor address routed to the RAM depends on the size of the RAM.

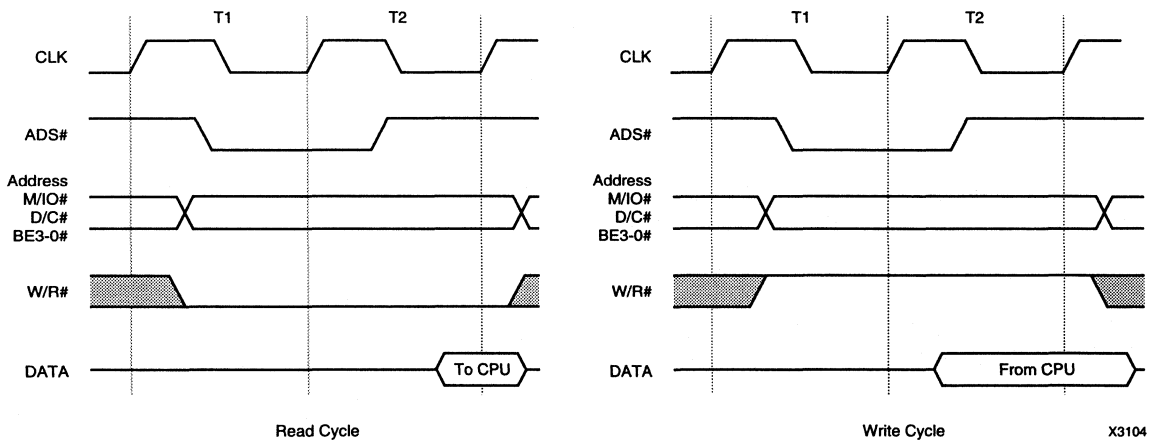
The write-cycle timing can be generated similarly to the read-cycle timing, except that the flip-flop generating the Qualified Write signal would have its CE pin connected directly to the W/R# signal. This is shown in Figure 13, which also shows the timing of the Qualified Write signal.

The write-cycle timing is more difficult than the read-cycle timing, because both the address and data hold times must be met, even with worst-case timing. It may be necessary to register the address or data to extend the time during which they are stable, Figure 14. The falling edge of the ADS# signal is used to register the address lines driving the RAM. Note that the address lines used in the control logic gating should not be registered. This would make it difficult to meet the set-up times of the flip-flops that generate the Qualified Read and Qualified Write signals.



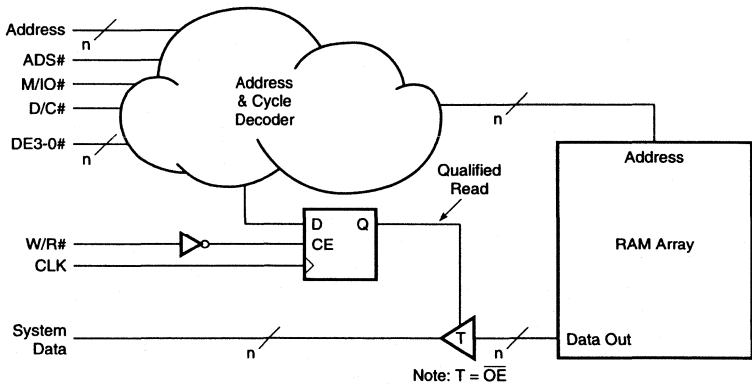
X3103

Figure 10. General Form of an Asynchronous RAM Interface



X3104

Figure 11. Typical Microprocessor Read and Write Cycles



X3105

Figure 12. Implementation of the Read Cycle Logic for an Asynchronous Interface

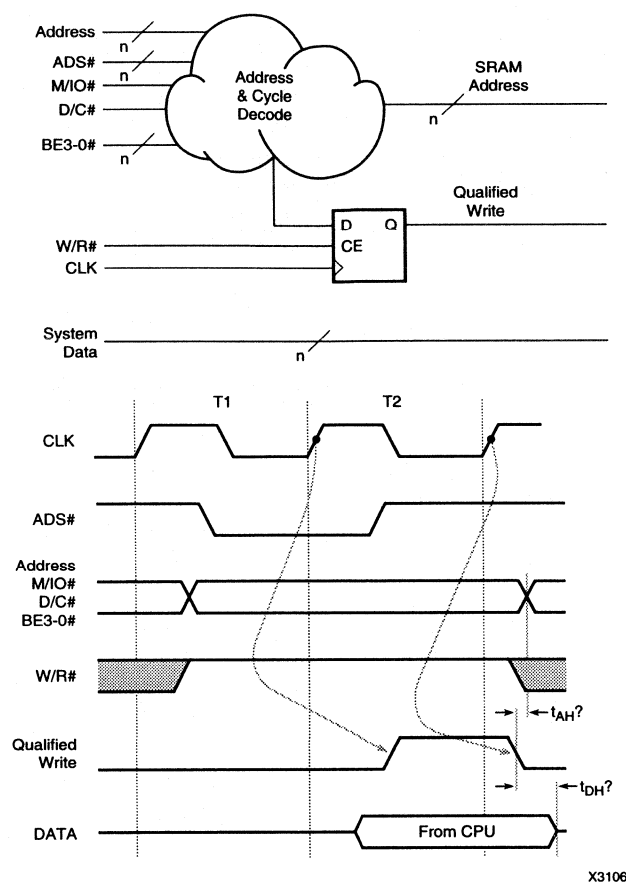


Figure 13. Write Cycle Control Logic and Timing

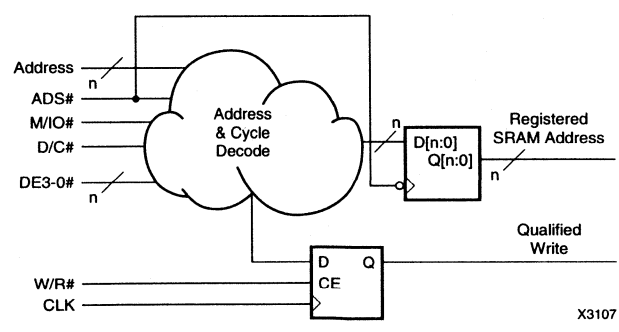


Figure 14. Modified Write Cycle Logic

**Synchronous Control Logic**

In a typical synchronous RAM application, there is some external stimulus which triggers a read or a write cycle. In response to this stimulus, logic inside the LCA device generates the control signals for the RAM cycle. Potentially, none of these control signals may be derived from external signals; all of them must be generated internally.

Figure 15 shows a 64-bit shift register implemented using RAM. A flip-flop-based 64-bit shift register would use all the flip-flops in 32 CLBs; the RAM-based version can be implemented in only 9 CLBs, a considerable saving of resources. Essentially, the shift register is implemented as a simple circular FIFO that is 1-bit wide and 64-bits

deep. To implement a shift cycle, the address pointer is incremented to point to the oldest data in the RAM. Data is read out, and new data is written into the same location. This new data will be read when the address pointer returns to the same location 64 shift cycles later.

The core of this design is a small sequencer that includes the circuit shown in Figure 16. This circuit, when triggered, generates a sequence of four glitch-free pulses corresponding to four successive half periods of the clock, Figure 17. These pulses are used to control the sequence of events required for a shift cycle. The complete waveform diagram is shown in Figure 18.

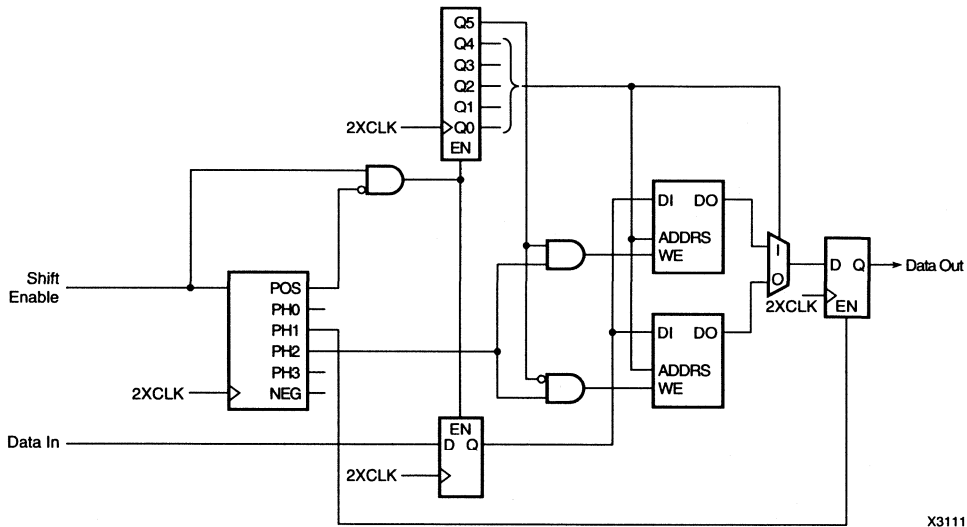


Figure 15. 64-Bit RAM-Based Shift Register

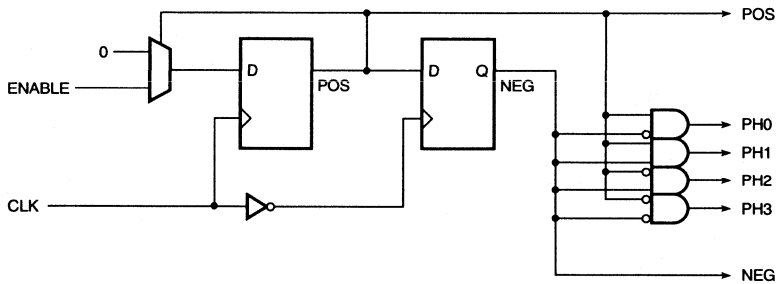
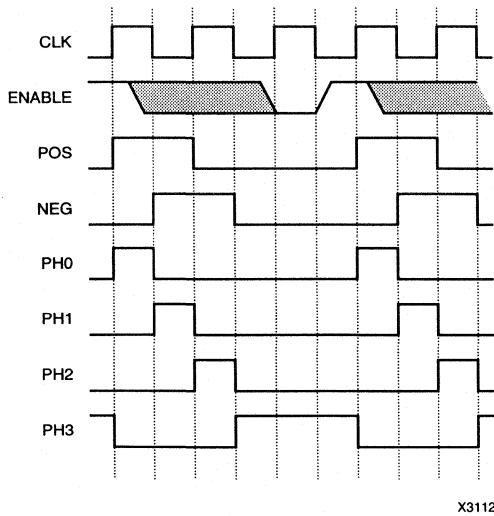


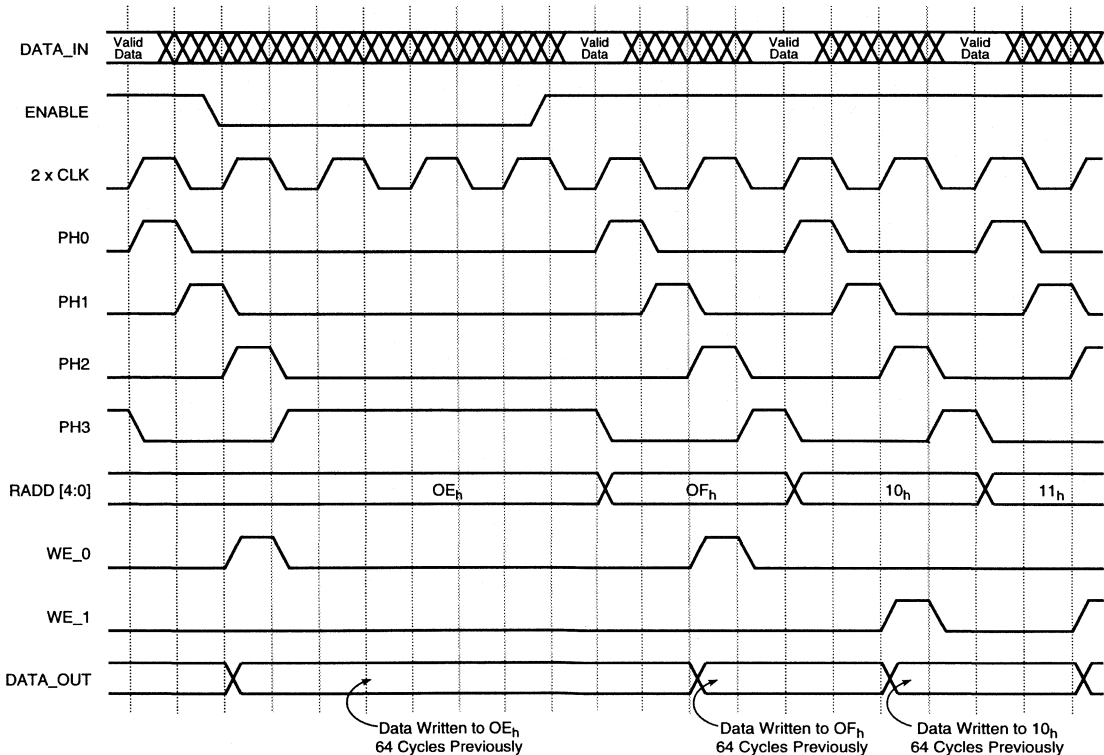
Figure 16. Glitch-Free Sequencer



**Figure 17. Waveforms for the Glitch-Free Sequencer**

The important events are as follows.

1. A shift cycle is initiated on the rising edge of the 2 X CLK by asserting Enable High. At this time, the pulse sequencer is triggered, the input data is captured into a register and the address counter is incremented. This action may occur on any rising clock edge, but is ignored on the rising edge immediately following a trigger.
2. The data written to the RAM 64 clocks previously is read, and is captured into an output register on the rising clock edge that initiates PH2. Both data and address have had a full 2XCLK period to set up. The 0 ns hold time requirement of the CLB is guaranteed, since the data is stable until the WE pulse.
3. New data is entered into the RAM by the WE pulse, which is PH2 delayed by logic and routing.
4. Address and data cannot change until the end of PH3. At least half a period of the 2XCLK is available for remove of WE and satisfy the address and data hold-time requirements.



**Figure 18. Waveform for Several Shift Cycles of the 64-Bit Shift Register**

As can be seen, the pulse circuit allows the orderly sequencing of the write cycle spacing out the events so that timing requirements can be satisfied. This type of sequencing is the preferred technique in synchronous RAM applications. Its advantage is that it is bulletproof; its disadvantage is that it requires a clock that is twice as fast as the cycle time.

The clock does not necessarily need a 50% duty cycle. In the shift-register example, the only duty-cycle restrictions are that the clock High time must generate an adequate WE pulse, and the clock Low time must allow the WE pulse to be removed with sufficient margin to meet the necessary hold times. Within these restrictions, an asymmetrical clock might even be beneficial, providing faster operation.

**The Last Resort.**

This last solution to the problem is not a nice one, but it works – most of the time. While its operation is not guaranteed by device characterization, the solution almost invariably works at room temperature, with nominal power supplies on typical parts. However, the probability of failure increases as the restrictions are relaxed.

The use of this method in a production design is particularly risky. While it will probably work reliably, occasional failures must be expected due to parts that are close to their specification limit. Additionally, to avoid field failures, every unit should be tested over the full range of temperature and voltage that it is expected to encounter.

Contrary to the advice given earlier, this solution uses an asynchronous circuit to generate a WE pulse, Figure 19.

In previous sections, this circuit would have been referred to as a glitch generator, but here it is a pulse generator; that is why it is the last resort!

Using this circuit, the only signal that is needed to perform a write to the RAM is a 1x clock at the RAM cycle rate. The leading edge of this clock sets the data and address, while the trailing edge triggers the WE pulse. The restrictions on the clock are that the address and data must set up during the first half of the clock. The second half of the clock must guarantee the WE pulse time to complete, *at the RAM*, with adequate margin to meet the address and data hold-time requirements.

The pulse-generator circuit is a self-resetting flip-flop. The worst-case loop time is >17 ns on an XC4000-5 device ( $2 \times t_{ILO} + t_{RIO} + \text{Routing}$ ). On the same device, the WE pulse requirement of the RAM is 4 ns minimum. Within a single FPGA, the speed of different logic resources tracks reasonably well (to within 70%). Consequently, the worst-case scenario is the WE pulse width decreasing to 12 ns, while the RAM continues to require a 4 ns pulse. In a faster device, with higher  $V_{CC}$  or at a lower temperature, the width of the WE pulse will decrease; but so will the WE requirement of the RAM. As a result, the pulse width should never fail to satisfy the WE requirement.

For more reliable timing, this circuit could be converted to a hard macro in a single CLB. It could then be instantiated in the design as required.

Again, this is the last resort. Use it at your own risk!

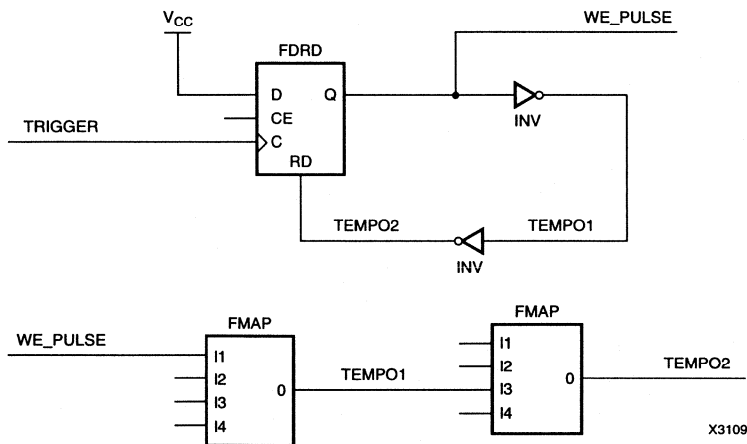


Figure 19. Pulse Generator

## Summary

For a 64 x 8-bit FIFO, 256 bits of RAM are implemented within an LCA device. An innovative address counter scheme, using the high-performance dedicated carry logic, converts this into a simple FIFO. The address controller hard macro available for this design may be used for 32 or 64-word FIFOs of any width.

## Specifications

FIFO size	64 x 8 Bits
Maximum Clock Rate (-5)	50 MHz
Maximum PUSH Rate	12.5 MHz
Maximum POP Rate	12.5 MHz
Number of CLBs	30

## Xilinx Family

XC4000

## Demonstrates

Internal RAM

## Introduction

While small FIFOs may be constructed in FPGAs using registers, larger FIFOs are only practical when emulated with RAM. The user-accessible RAMs in the XC4000-series LCA devices make them well suited for this application. The dedicated carry logic is also beneficial, simplifying and compacting the design of the control counters.

## Operating Description

The FIFO design, shown in Figure 1, uses a 64 x 8-bit RAM implemented in two banks of eight CLBs. An additional five CLBs are used for the distribution of write enable, the multiplexing of the outputs and the RAM output register. RAM cycles are dedicated alternately to read and write so that data can be PUSHed or POPed every two RAM cycles.

Conventional address counters are not used. Instead, two registers, connected as a recirculating shift register, are used to store the read and write addresses. Every RAM cycle, the addresses change places, alternately presenting the read and write address to the RAM. Whenever an active read (POP) or write (PUSH) cycle occurs, the address is incremented while being recirculated.

The incrementer uses the dedicated carry logic and is very straightforward. Three CLBs are configured together to provide a hard-wired carry path. The carry outputs from this connect directly to the function generators in the CLBs that are used to create the sums. The function generators are powerful enough also to provide the selection function between the incremented and unincremented values. The flip-flops in the three CLBs provide the first register.

This approach has several advantages. While the dedicated carry logic embedded in the CLBs of the second register could be used without cost, converting this register into a counter would also tie up the function generators that might otherwise be used for the comparator. Additional CLB resources would also be consumed multiplexing the addresses. The major benefit, however, is time. Read and write addresses are available to the RAM immediately following the clock, without additional multiplexing delay.

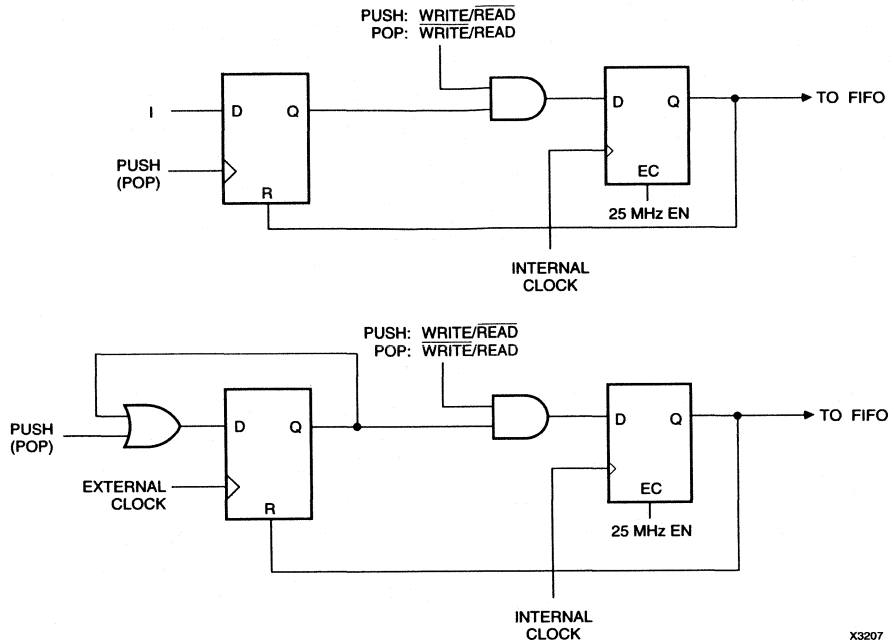
A simple toggling flip-flop is used to allocate read and write cycles. Following power-up or a reset, both counters contain the same value. At this time, they can arbitrarily be defined as read and write addresses. Subsequently, the recirculating shift register operates in synchronism with the flip-flop.

During the read and write cycles, POP and PUSH, respectively, are used to determine whether the recirculating address is incremented. In an active write cycle, a write-enable pulse is generated that enters data into the RAM. In an active read cycle, the RAM output register is enabled, and new data becomes available at the end of the cycle.

An identity comparator detects when read and write addresses are equal, signaling that the FIFO is either full or empty. This ambiguity is resolved by reference to the last operation performed by the FIFO. Following a PUSH operation, the FIFO cannot be empty, and equal addresses must imply that the FIFO is full. Conversely, following a POP, equality must imply emptiness. A flip-flop is used to store the type of operation last performed. Its output routes the identity signal to the FULL and EMPTY flags, as appropriate.







X3207

**Figure 2. Two PUSH/POP Synchronization Circuits**

If a high-speed clock cannot be made available, it is possible to use a clock at the RAM cycle rate. In this case, the Write Enable pulse is generated using an asynchronous circuit. While this approach is believed to be reliable, it cannot be rigorously proven to operate under worst-case conditions. See page 8-112 *The Last Resort*, in XAPP031 *Using the XC4000 RAM Capability*.

### Implementation Notes

The address generation portion of the FIFO is available as a hard macro. This may be combined, at the schematic level, with any width of RAM and output register. An additional control input to the hard macro modifies its operation for use in a 32-word FIFO. When used in a 32-word FIFO the MSB of the address should be ignored.

## Summary

This Application Note provides guidance for implementing high performance multiplexers and barrel shifters in XC3000 LCA devices.

## Xilinx Family

XC3000/XC3100

## Introduction

Since the function generator in the XC3000 series CLB has only five inputs, it cannot directly implement a four-input multiplexer, which requires four data inputs and two select inputs. The CLB does, however, have the logic capability to implement a 4-input multiplexer.

This applications shows how to access the full logic capability of the CLB for 4-input multiplexers. It also shows how best to implement larger multiplexers and barrel shifters.

## Multiplexers

### Four-Input Multiplexer

CLB function generators have a base-FGM operating mode that permits certain functions of more than five variables to be implemented. The restriction on the function is that it must be implementable as a multiplexer selecting between two functions, each of four variables. Clearly, a 4-input multiplexer meets this requirement; each 4-input function implements a 2-input multiplexer, and the final multiplexer selects one of the outputs.

Since the CLB only has five logic inputs to the function generators, the sixth input to the multiplexer must reach the function generators via the CLB .di pin, a flip-flop and the internal feedback path. Routing through a flip-flop has obvious timing implications, but using this path can result in through delay and resource savings of 50%. Often the additional select delay can easily be accommodated, and sometimes it even saves storage resources elsewhere.

One approach is to pipeline the select lines, Figure 1. Two bits of the 4-input multiplexer are implemented in two CLBs. In one CLB, the  $S_0$  select line is registered, while in the other the  $S_1$  select line is registered. In addition to being used within the CLB, the registered versions are

output for use in the other CLB. This balances the delay in the select lines. Notice that the order of the multiplexer ranks is reversed in the two CLBs.

Alternatively, if the design requires one of the multiplexer inputs to be pipelined, this input may use the flip-flop route, thus saving an external pipeline register, Figure 2. In either case, one CLB flip-flop remains available for optional use registering the multiplexer output.

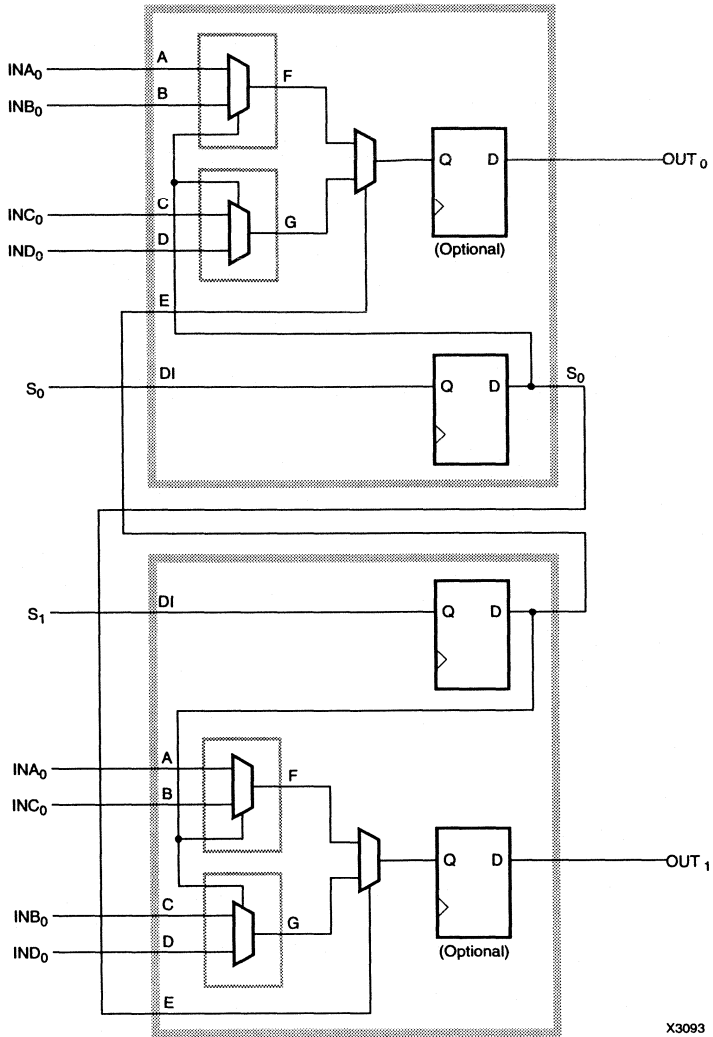
### Wider Multiplexers

If the multiplexer select line can be pipelined, large multiplexers are best implemented using multiple ranks of the 4-input multiplexer described above, together with a 2-input multiplexer, if required. Even if a completely combinatorial circuit is absolutely necessary, there are better alternatives to using multiple ranks of 2-input multiplexers.

While 4-input multiplexers cannot be implemented in a single CLB, it is possible to implement a 3-input multiplexer in one CLB. If this 3-input multiplexer is considered part of a 4-input multiplexer that is completed elsewhere, it can be used in expansion schemes, and binary encoding of the select lines can be retained.

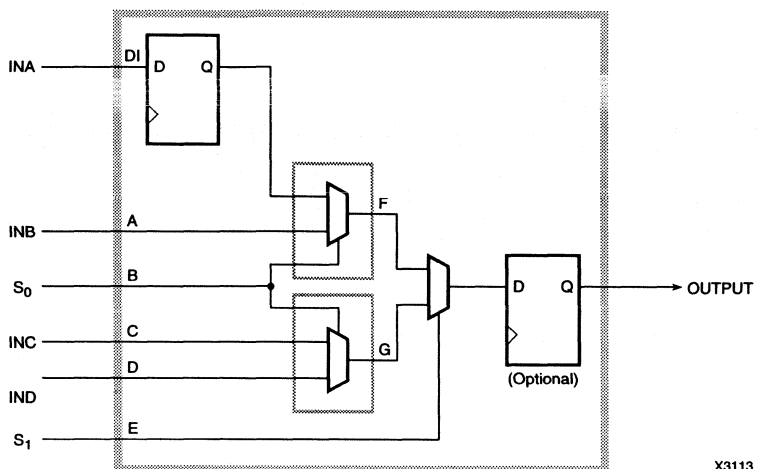
The 8-input multiplexer, Figure 3, uses two 3-input multiplexers and a 2-input multiplexer to select one bit from six; on the two outstanding select codes, Zeroes are selected. These two select codes are also used to AND the corresponding inputs into a 2-input multiplexer. The output of this multiplexer is Zero whenever one of the other six select codes is asserted, and consequently, it is only necessary to OR the two outputs to complete the multiplexer.

This structure requires four CLBs, as does the 2-input multiplexer approach. However, the delay is only two CLBs instead of three, a reduction of 33%.



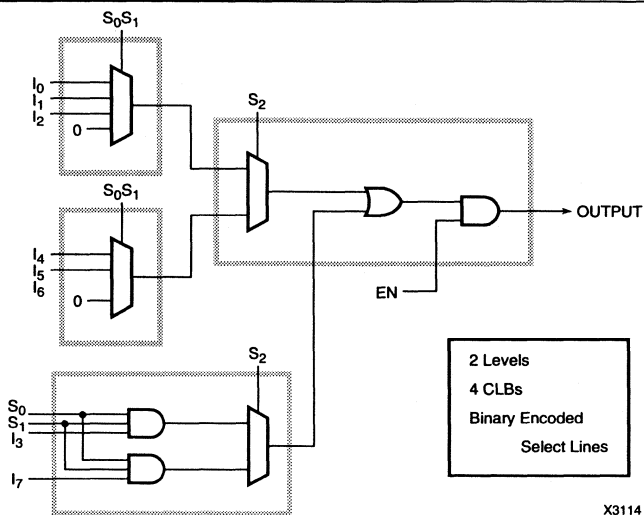
X3093

Figure 1. Dual 4:1 Multiplexer with Pipelined Select (Two CLBs)



X3113

Figure 2. 4:1 Multiplexer with Pipelined Input



X3114

Figure 3. 8:1 Multiplexer

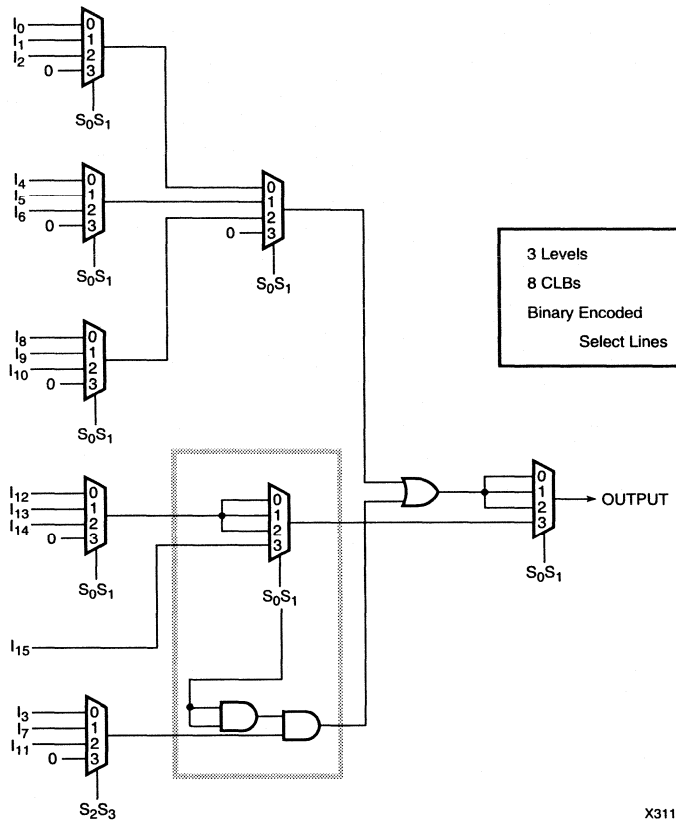


Figure 4. 16:1 Multiplexer

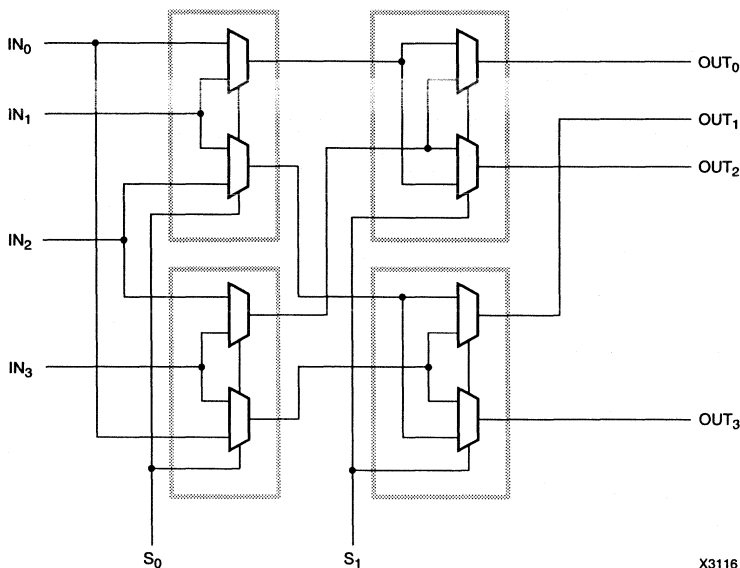
An output enable control is provided that permits the multiplexer to be expanded by ORing the outputs in an additional level of logic. A single CLB can implement a 5-input OR gate. Consequently, this expansion scheme can accommodate up to 40-input multiplexers within three levels of CLBs. The more significant select lines must be decoded to provide individual enables to each 8-input multiplexer, but this logic settles in parallel with the first level of CLBs.

For 16-input multiplexers, the design shown in Figure 4 may be used. It requires eight CLBs in three levels, which is one CLB fewer than is needed to combine two 8-input multiplexers, and one less level of CLB than a design based on 2-input multiplexers.

### Barrel Shifters

A four-input barrel shifter has four data inputs, four data outputs and two control inputs that specify rotation by 0, 1, 2 or 3 positions. A simple approach would use four 4-input multiplexers, since each output can receive data from any input. This approach yields the best solution only if the select lines can be pipelined, and the 4-input multiplexer design described above is used. The complete barrel shifter can be implemented in one level of four CLBs.

If the barrel shifter must be fully combinatorial, it is better to decompose the barrel shifter into 2-stages, Figure 5. The first stage rotates the data by 0 or 1 positions, and



**Figure 5. 4-Bit Barrel Shifter**

the second rotates the result by 0 or 2 positions. Together, these two shifters provide the desired rotations of 0, 1, 2 or 3 positions. As in the previous design, four CLBs are required, but the number of levels increases to two. A combinatorial 4-input multiplexer approach would have used six CLBs in two levels.

This binary decomposition scheme can be used for any number of bits. The number of levels required for an N-bit shifter is  $\log_2 N$ , rounded to the next higher number if N is not a power of two. Each level requires  $N/2$  CLBs. The first level rotates 0 or 1 positions, and subsequent levels each rotate by twice as many positions as the preceding level. The select bits to each level form a binary-encoded shift control.

For example, an 8-bit barrel shifter can be implemented in three levels of 2-input multiplexers that rotate by 1, 2 and 4 positions. Each level requires four CLBs, for a total

of 12. For a 12-input barrel shifter, four levels of multiplexer are required. These multiplexers rotate by 1, 2, 4 and 8 positions, and require a total of 24 CLBs.

The 16-bit barrel shifter shown in Figure 6 has only two levels of CLB, and is, therefore, twice as fast as one using the 2-input multiplexer approach. However, the shift control must be pipelined, since it uses the 4-input multiplexer shown in Figure 1. The first level of multiplexers rotates by 0, 1, 2 or 3 positions, and the second by 0, 4, 8 or 12 positions. Each level requires 16 CLBs, and the total of 32 is the same as for the 2-input approach. The shift control remains binary.

Again, this scheme can be expanded to any number of bits using  $\log_4 N$  rotators that successively rotate by four times as many bit positions. For sizes that are odd powers of two, the final level should consist of less costly 2-input multiplexers.

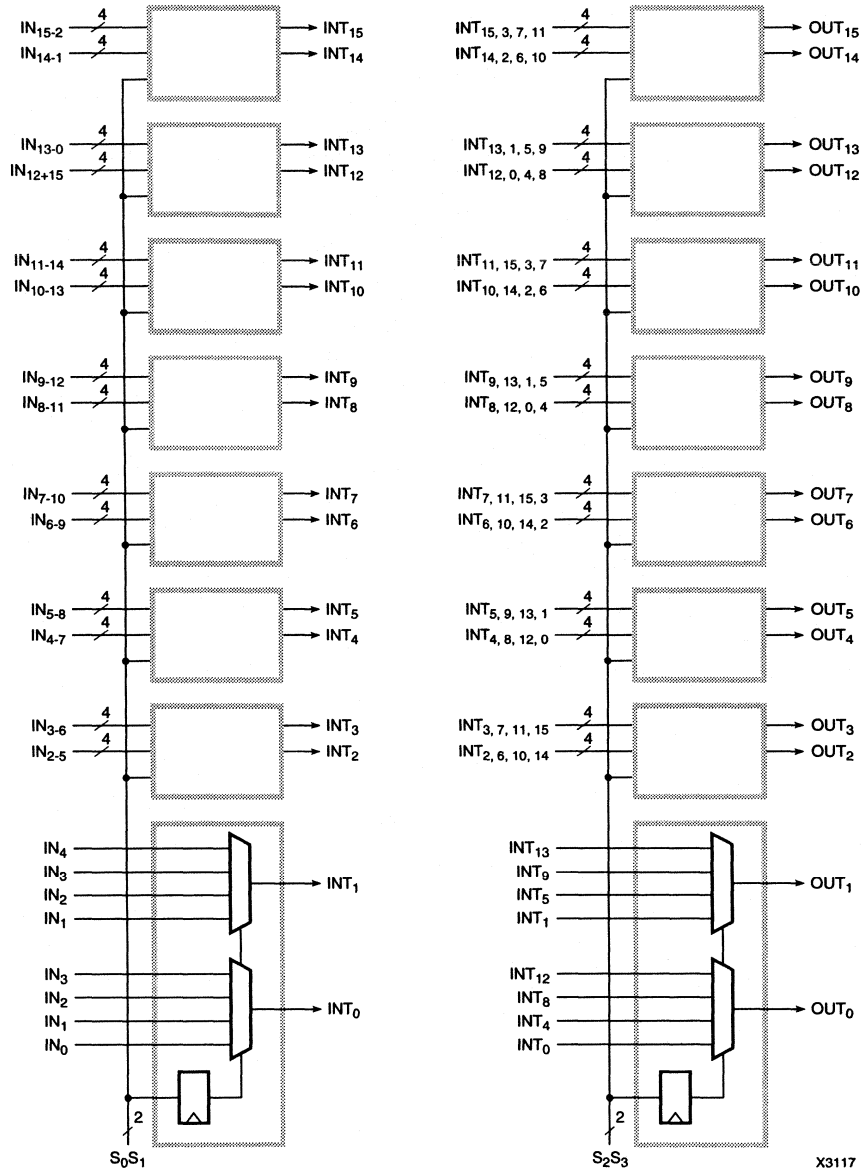


Figure 6. 16-Bit Barrel Shifter

### Summary

This Application Note discusses various approaches that are available for implementing state machines in LCA devices. In particular, the one-hot-encoding scheme for medium-sized state machines is discussed.

### LCA Family

XC3000/XC3100

### Demonstrates

State Machine Design  
One-hot Encoding

## Introduction

State-machine methodology defines the contents of every flip-flop in a design under every circumstance that might arise. It also defines all the possible transitions that can cause the design to go from one of these states to another. In its simplest form, this is just a rigorous way of designing synchronous logic, like 4-bit counters. For more complex designs, the state-machine approach gives the designer a tool to analyze all possible operating conditions, and so avoid overlooked hang-up states or undesired transitions. LCA devices with their abundance of flip-flops lend themselves well to state-machine designs.

Using the 5-input function generator of the XC3000 family devices as a 32-bit ROM, a state machine with up to 32 states with no conditional jumps uses only five CLBs. Five registered CLB outputs drive the five function-generator inputs of five CLBs in parallel. This implements a fully programmable sequencer such as a synchronous counter.

For a smaller number of states, some inputs can be used as conditional jump inputs. Encoding these condition codes, however, may require an additional level of logic which reduces the maximum clock rate.

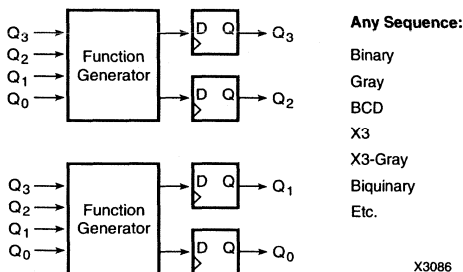


Figure 1. Synchronous 4-Bit Counter in 2 CLBs

## Synchronous Counters

Using only two CLBs, it is possible to construct fully synchronous 4-bit counters with arbitrary count sequences, Figure 1. The CLB Clock Enable inputs even provide count-enable control. The count length, count direction, and even the code sequence is determined by the configuration. The number of possible count sequences is factorial 15, i.e., more than  $10^{12}$ . All four outputs are available, and while the counter cannot be preset to an arbitrary value, it can be cleared by an asynchronous input.

Table 1 shows four common count sequences. Of particular interest is the Gray code, which offers glitch-less decoding, since only one bit changes on any transition. A Gray-code counter can also be reliably read asynchronously. In contrast, if a binary counter is read during its transition between 7 and 8, for example, any code might be detected.

Decimal	Binary	Gray	X3 Binary	X3 Gray
0	0000	0000	0011	0010
1	0001	0001	0100	0110
2	0010	0011	0101	0111
3	0011	0010	0110	0101
4	0100	0110	0111	0100
5	0101	0111	1000	1100
6	0110	0101	1001	1101
7	0111	0100	1010	1111
8	1000	1100	1011	1110
9	1001	1101	1100	1010
10	1010	1111		
11	1011	1110		
12	1100	1010		
13	1101	1011		
14	1110	1001		
15	1111	1000		

Table 1. Four Common Binary Count Sequences



Four-bit counters constructed as described above can easily be concatenated into longer, four-bits-at-a-time ripple-carry counters. For each 4-bit digit, a third CLB is used to detect an arbitrary terminal count value, and AND this with the incoming Count Enable to provide the Count Enable to the next digit.

**Waveform Generator**

Arbitrary binary waveforms of any length up to 32 clock periods can be generated using only three XC3000-series CLBs, Figure 2. The waveform generation is fully synchronous, and may be paused at any time, using the CLB Clock Enable. It may also be restarted, using the asynchronous clear.

Five flip-flops,  $Q_{0-4}$ , form a linear feedback shift-register counter. The 5-input combinatorial function generator,  $F_0$ , determines both the modulus and the count sequence; there are no illegal or hang-up states. The function generator,  $F_1$ , operates as a ROM, and can be programmed to provide any conceivable decode of the counter. Flip-flop,  $Q_5$ , synchronizes and de-glitches the decoder output.

The following examples demonstrate the arbitrary nature of the waveforms that can be generated.

Example 1. + 28 counter with its output High at times T2, T3, T10, T22 through T27

Example 2. + 19 counter with its output Low at times T9, T12, T15, T18.

**Simple State Machines**

The simple state machine shown in Figure 3 uses only 10 CLBs, and has up to 16 states. Each of eight outputs decode/encode any combination of states. The state machine is based on a 5-CLB next-state look-up table.

Each state corresponds to two look-up table locations that store two arbitrarily defined next states. From any state, the C input controls a two-way branching by selecting which of the two possible next states is asserted. For hold loops, one of the next states should be the current state; and to avoid branching, both destination states should be made equal.

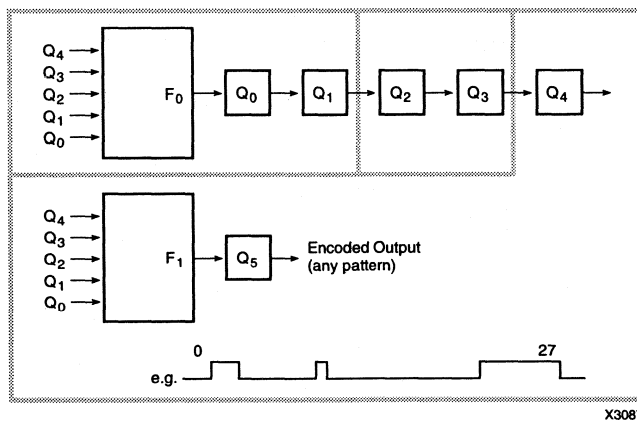


Figure 2. Synchronous 5-Bit Waveform Generator in 3 CLBs

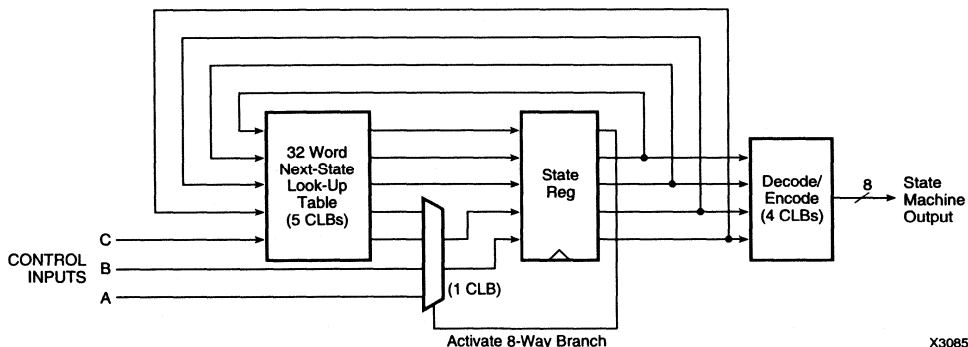


Figure 3. Simple State Machine

The state machine can also perform 8-way branches from any state so programmed. The branch destinations must all fall in two quadrants (0..3, 4..7, 8..11 or 12..15). The choice of the two quadrants is arbitrarily programmed into the look-up table; C selects between the two quadrants, and A and B select the state within the quadrant.

Activation of the 8-way branch mechanism is controlled by a fifth state bit that is set during the transition into the state. This bit controls a multiplexer that replaces the two LSB of the destination state with the control inputs A and B. Note that as the fifth bit is independent of A and B, it must be set, or not, on a per quadrant basis during an 8-way branch.

Examples:

- From state 3, if C = High, go to 5, else go to 8
- From state 7, if C = High, go to 3, else stay in 7
- From state 9, unconditionally go to 2
- From state 6, execute the truth table below

#### Truth Table

A	B	C = Low	C = High
0	0	12	0
1	0	13	1
0	1	14	2
1	1	15	3

#### One-Hot Encoded State Machines

The state machines described have encoded state bits. For an N-state state machine, fewer than N flip-flops are

used (but  $\geq \log_2 N$ ), and a unique combination of these flip-flops is set in each state; each flip-flop is set in several states. While this minimizes the number of flip-flops, it increases the complexity of the logic controlling each flip-flop.

In LCA devices, flip-flops are plentiful, and there is no need to conserve them. Consequently, for medium-sized state machines, it is better to use a One-Hot encoding scheme (OHE). OHE increases the number of flip-flops required, but reduces the logic complexity associated with each of them, thereby boosting performance.

In an OHE state machine, one flip-flop is assigned to each state. It is set during that state, and only during that state. The state machine is implemented as a shift-register-like structure, where a single One is passed from flip-flop to flip-flop, sometimes holding in the same flip-flop, skipping bits of the shift register or moving to a parallel shift register, Figure 4a and b.

The control logic associated with each state bit involves ORing the transitions into the state, including any hold loop. Each of these transitions will involve a previous state, which, by design, is represented by a single bit. This bit may, or may not, be ANDed with some decode of the control bits inputs.

It is the localization of the control logic that leads to the performance increase. For each state bit, the control logic only involves the limited number of state bits from which there are transitions and the conditions that control those transitions. This permits shallow logic structures between flip-flops, often only requiring the function generator associated with the state-bit flip-flop. In addition, no state decoding is necessary, and state encoding can only require the ORing of state bits.

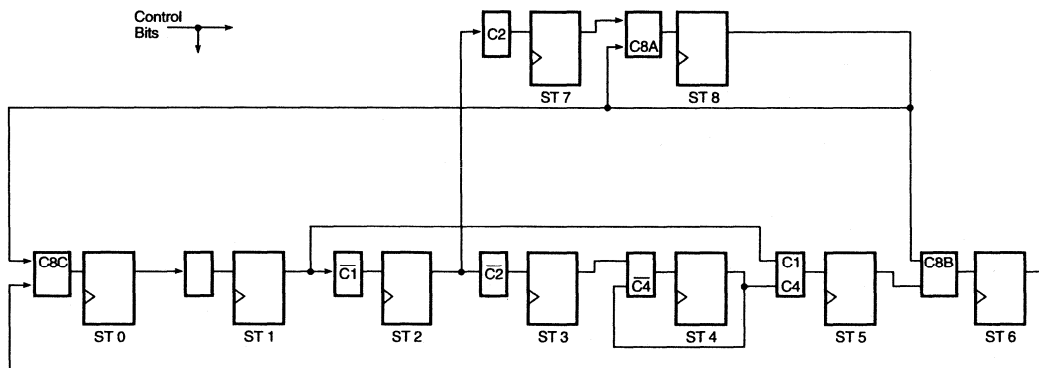
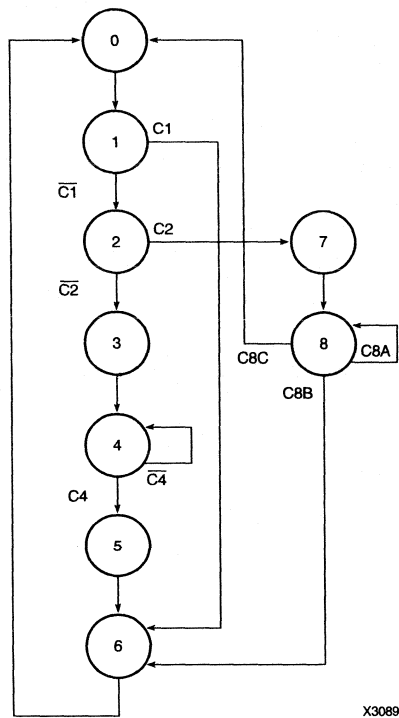


Figure 4a. Prototype OHE State Machine

X3088



X3089

Figure 4b. State Diagram for Prototype OHE State Machine

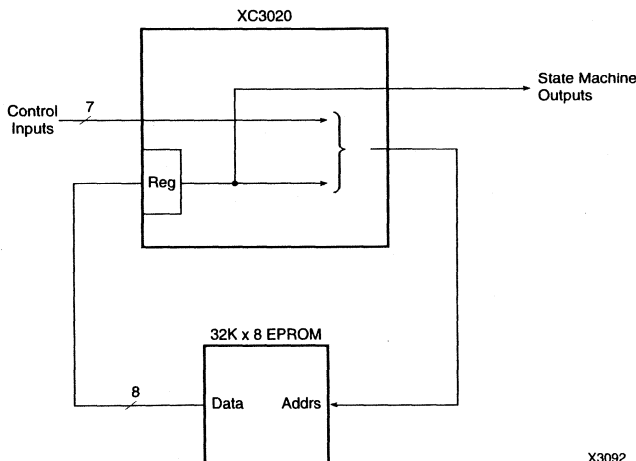
### Complex State Machines

Small- and medium-sized state machines can easily be implemented within an LCA device, as shown above. For large, complex state machines, however, it is better to use the LCA device to implement a simple microsequencer, and store the control program externally, Figure 5.

For fastest operation, a high-speed SRAM should be used for the control program. This may be loaded from a microprocessor, or shadowed by an EPROM. For slower operation requiring non-volatility, an EPROM can be used directly. When an EPROM is used, the number of components can be reduced by storing both the LCA configuration data and the state-machine control program in the same device.

If an XC3020 is configured in the Master Parallel mode and it reads its configuration data out of a 256K (32K x 8) EPROM, it only requires 6% of the addresses, from the top location 7FFF (32K) through 77FF (about 30K). The remaining 94% of the EPROM can be used as a next-state look-up table with a capacity of 240 states.

Eight state bits are read out of the EPROM and registered in the LCA device which can perform any required decoding or encoding of the state-machine outputs. The registered state bits also form part of the new EPROM address, defining a block of 128 possible next states. The 7-bit condition code completes the EPROM address and selects which of 128 next states is actually asserted.



X3092

Figure 5. Rudimentary Complex State Machine

Each transition is, in effect, a 128-way branch. However, the branching complexity will normally be reduced by assigning identical values to many of the 128 possible next states.

Since the top 16 address locations are used for configuration data, the state codes, which form the 8 MSBs of the EPROM address, are limited to 240 different values, 0...239. The control inputs provide the seven LSBs of the EPROM address. If the control inputs are asynchronous, they must be registered for reliable operation.

This rudimentary state machine can thus have 240 different states, and can jump from any state to any one of 128 arbitrarily defined next states, according to a 7-bit condition code. In its simplest form, this basic design consumes no CLB resources in the LCA, just IOB flip-flops

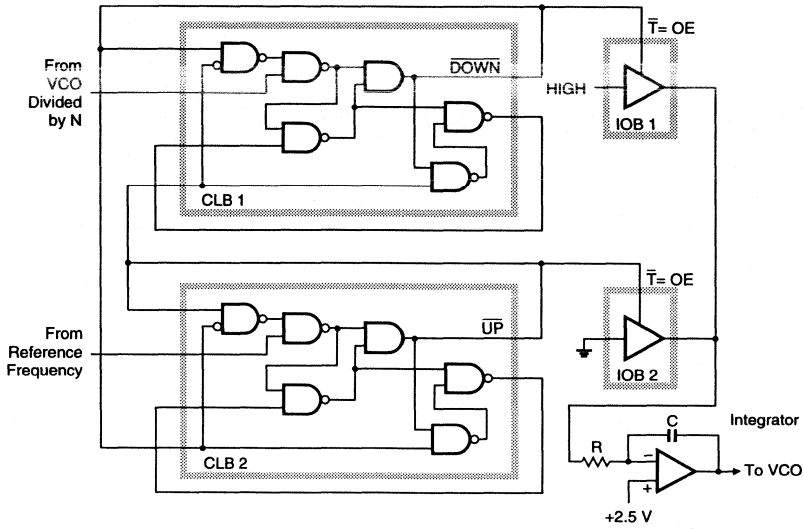
for the state register. Even so, it permits a number of states and a multi-way branch complexity far in excess of any normal need.

The user has all the logic resources of the LCA available to add features like the following.

- State decoding/encoding
- Stack registers
- Loop counters
- More sophisticated branch logic, etc.

This design is straightforward, inexpensive, compact and extremely flexible. Its speed is limited primarily by the control store access time; faster access times can be obtained using SRAMs in place of EPROMs.





X3080

Figure 3. Frequency/Phase Detector Using Two CLBs and Two IOBs

*Summary*

Binary-to-BCD and BCD-to-binary conversions are performed between serial binary values and parallel BCD values.

*Xilinx Family*

XC3000

*Demonstrates*

Serial Arithmetic

**Introduction**

The LCA architecture with its powerful function generators evenly interspersed between flip-flops lends itself very well to serial code conversion. Data is entered into a register in one format, and retrieved from the same register in a different format. A common application of this technique is converting binary data to BCD, and BCD to binary.

**Operating Description**

**Binary-to-BCD Conversion**

Binary-to-BCD conversion is performed in a modified shift register that successively doubles its BCD contents. As shown in Figure 1, the binary data is shifted into the converter serially, MSB first. Subsequent bits are entered into the shift register to fill the LSB vacated by the doubling. The conversion is complete when all bits of the binary input have been entered, at which time the BCD result is available in parallel form. Each input bit will have been doubled and redoubled to regain its original binary weight, but in BCD format.

To remain a valid BCD number when doubled, a BCD digit of 5 or greater must not just be shifted, but must be converted into the proper BCD representation of its doubled value; along with a 1 being shifted into the next higher digit, a 5 is converted into a 0, a 6 into a 2, a 7 into a 4, an 8 into a 6, and a 9 into an 8.

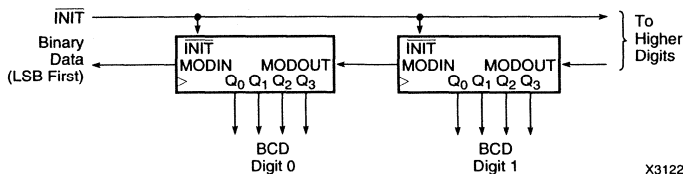
The binary-to-BCD converter requires three CLBs for each BCD digit in the output, Figure 2. To start a new conversion, INIT should be asserted at the time the binary MSB is applied to the converter input. INIT clears all bits except the LSB which is loaded.

**BCD-to-Binary Conversion**

BCD-to-binary conversion reverses the process described above, Figure 3. BCD data is parallel loaded into a modified shift register that successively halves its contents. The equivalent binary value is obtained serially, LSB first, from the LSB of the shift register.

To divide by 2, data in the shift register is shifted towards the LSB. However, when a bit shifts across a digit boundary, its weight in the lower digit is 5. This value is added to the shifted digit using carry-save adders associated with bits 0 and 2. The conversion is complete when all bits of the binary output have been generated.

The BCD-to-binary converter requires three CLBs per digit, Figure 4. A new conversion is started by applying the BCD data and asserting the LD control to load the data. The MSB of each digit is loaded into the carry flip-flop of the bit-2 adder; the carry of the bit-0 adder is cleared.



X3122

**Figure 1. Binary-to-BCD Converter**

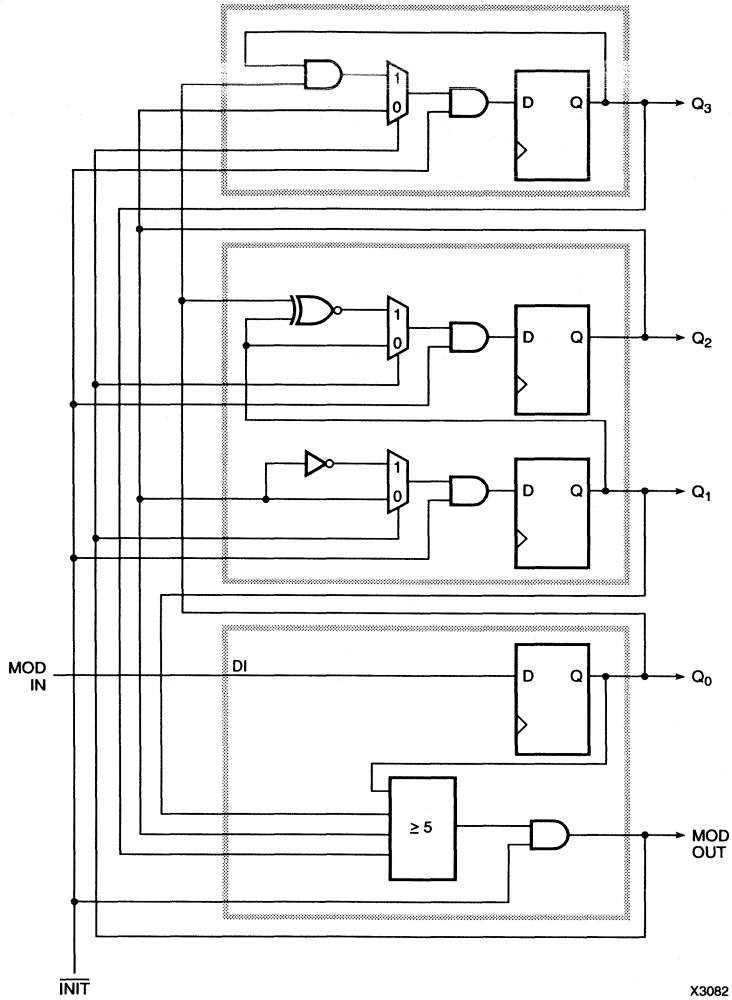


Figure 2. Binary-to-BCD Converter (Three CLBs per BCD Digit)

X3082

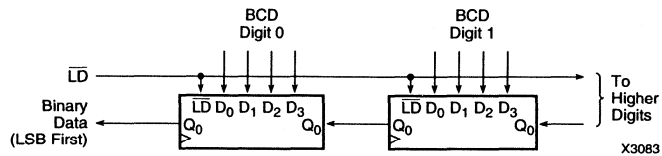
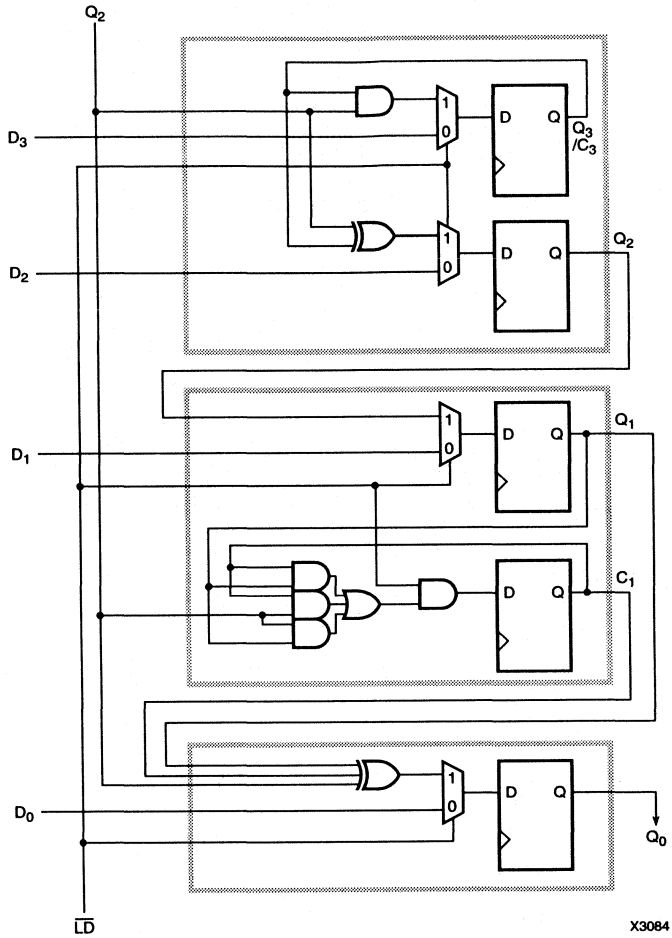


Figure 3. BCD-to-Binary Converter

X3083





X3084

Figure 4. BCD-to-Binary Converter (Three CLBs per BCD Digit)

## Summary

This Application Note describes the use of an LCA device as an address controller that permits a standard DRAM to be used as deep FIFO.

## Xilinx Family

XC3000/XC3100

## Demonstrates

Non-linear Counters  
Pseudo-random RAM Addressing

## Introduction

A bit-serial FIFO buffer is a general-purpose tool to relieve system bottlenecks, e.g., in LANs, in communications, and in the interface between computers and peripherals. Small FIFOs are usually designed as asynchronous shift registers, but a larger FIFO with more than 256 locations is better implemented as a controller plus a two-port RAM, or as a controller plus a single-port RAM, either SRAM or DRAM.

SRAMs are fast and easy to use, but at least four times more expensive than DRAMs of equivalent size. Dynamic RAMs offer lower-cost data storage, but require complex timing and address multiplexing, which makes them unattractive in small designs. For FIFOs with more than 256K capacity, a DRAM offers the lowest cost solution, if the controller can be implemented in a compact and cost-effective way. An XC3020 Logic Cell Array can easily perform all the control and addressing functions with many gates left over for additional features. The XC3020 can be programmed to control one or more DRAMs for a FIFO of up to 16 megabytes, with data rates up to 16 Mbits per second serially or 16 Mbytes per second byte-parallel.

## Logic Description

This FIFO DRAM controller comprises the following.

- Input/output buffer with synchronizing logic
- 20-bit Write pointer (counter)
- 20-bit Read pointer (counter)
- 20-bit full/empty comparator
- 10-bit address multiplexer
- Control and arbitration logic

Figure 1 is a block diagram of the FIFO Controller. The Write pointer defines the memory location where the incoming data is to be written, while the Read pointer defines the memory location where the next data can be read. The identity comparator between the address pointers signals when the FIFO is full or empty.

When the Write and Read pointers become identical as a result of a Write operation, the FIFO is full, and further Write operations must be prevented until data has been read out to create space in the memory. If the two pointers become identical as a result of a Read operation, the FIFO is empty and further Read operations must be prevented until new data has been written in. With a single-port RAM, Read and Write operations must be inherently sequential, and there is no danger of confusing the full and empty state, a problem that has plagued some two-port designs.

A straightforward design would use synchronous binary counters for the two pointers, but it is far more efficient to use linear feedback shift-register (LFSR) counters. Such counters require significantly less logic and are faster since they avoid the carry propagation delay inherent in binary counters. LFSR counters have two peculiarities: they count in a pseudo-random sequence, and they usually skip one state, i.e., a 20-bit LFSR counter repeats after  $2^{20}-1$  clock pulses. In a FIFO Controller, both these issues are irrelevant; the address sequence is arbitrary, provided both counters sequence identically.

The RAS/CAS multiplexing of the 20-bit address is performed without an explicit multiplexer. Every other bit of the shift-register counter is used to provide the 10-bit address. Before the incrementing shift, these bits are used as the Row address. After incrementing, they are used as the Column address. The Column address of any position is thus identical with the Row address of the following position, but since the binary sequence of a shift register counter is pseudo-random anyhow, this is not a problem.

The address generation logic is shown in Figure 2. With this design, two shift-register counter bits fit into one XC3000-series CLB, with the identity comparator using the combinatorial portion of the same CLB, Figure 3.

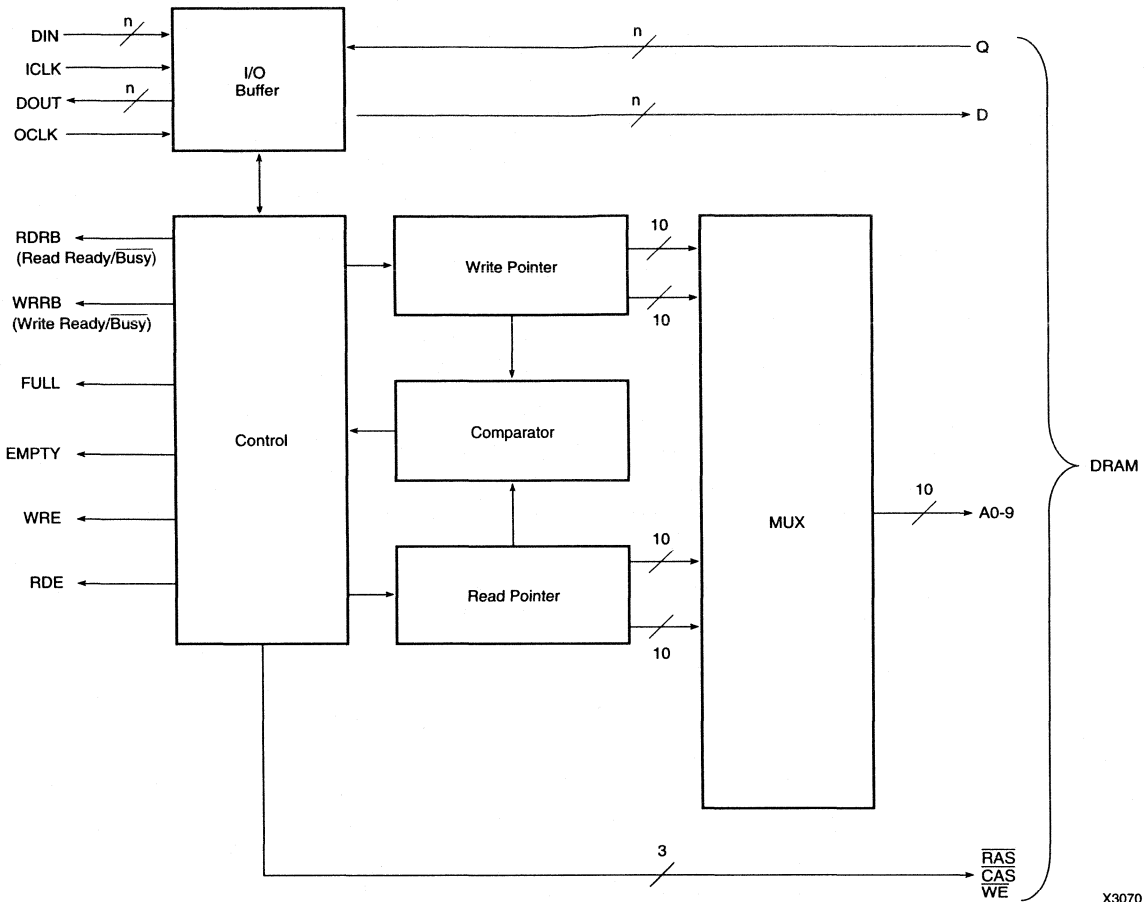


Figure 1. Megabit FIFO Controller in an XC3020

The FIFO controller permits the user to perform totally asynchronous Read and Write operations, while it synchronizes communication with the DRAM. The design takes advantage of the DRAM internal refresh counter by using CAS-before-RAS refresh/address strobes.

Both 20-bit pointers, plus their 20-bit identity comparator, plus the Row/Column multiplexer thus fit into only 20 CLBs; refresh timer and address multiplexer use another 10 CLBs and the data buffer plus control and arbitration logic take another 23 CLBs, for a total of 53, an easy fit in an XC3020.

This design can easily be modified for larger or smaller DRAMs. Other variations that might be considered are:

multiple parallel bits, e.g., byte-parallel operation, interrupt-driven control, multiplexed data for multiple parallel-bit storage, and byte parallel storage with bit-serial I/O. This latter case requires special attention when the FIFO is emptied after a non-integer number of bytes has been entered, and requires direct communication between the input Serial-to-Parallel converter and the output Parallel-to-Serial converter.

This design is available from Xilinx. Call the Applications Hot Line 408-559-7778 or 1-800-255-7778.

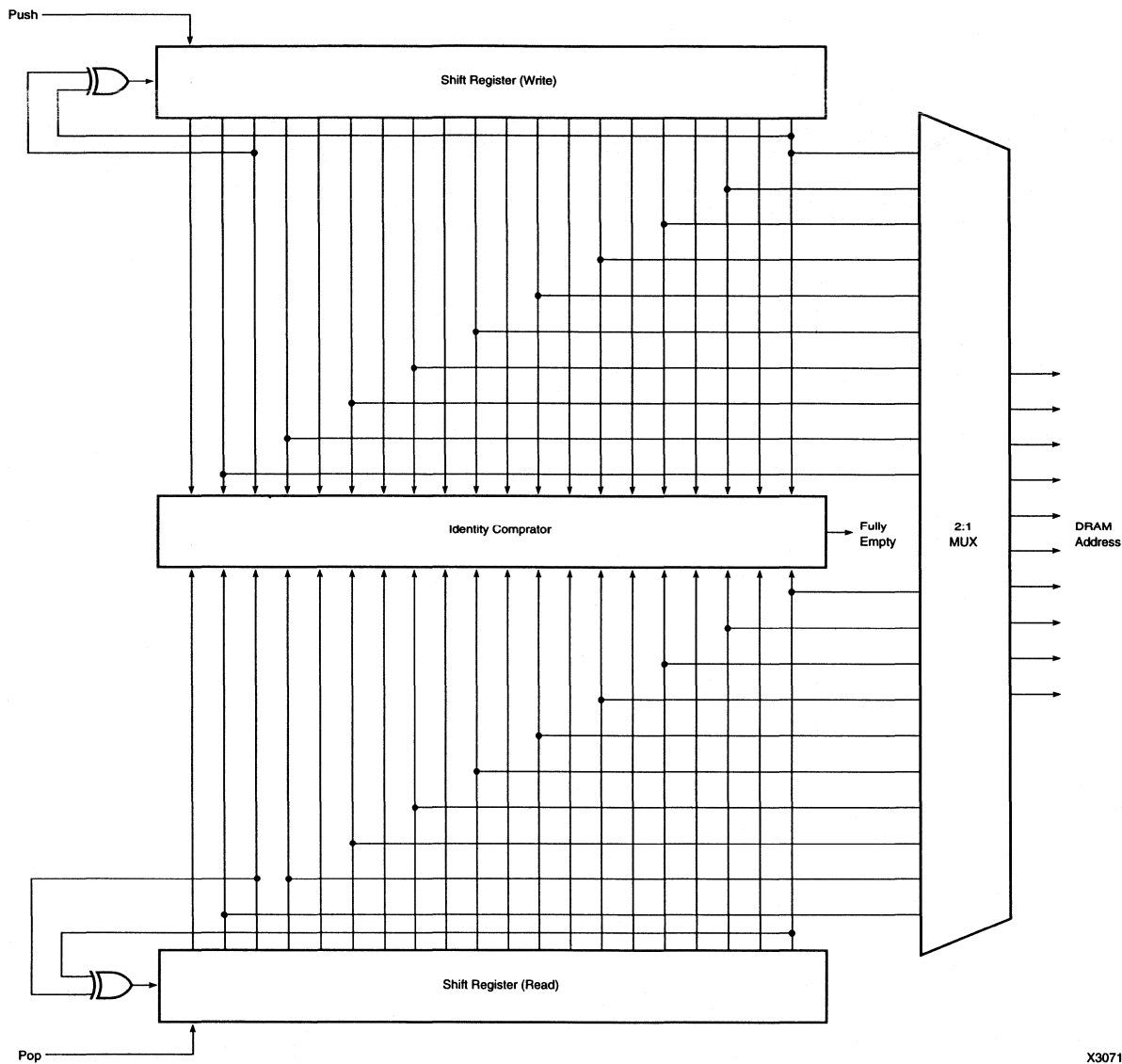


Figure 2. DRAM Address Generation

X3071

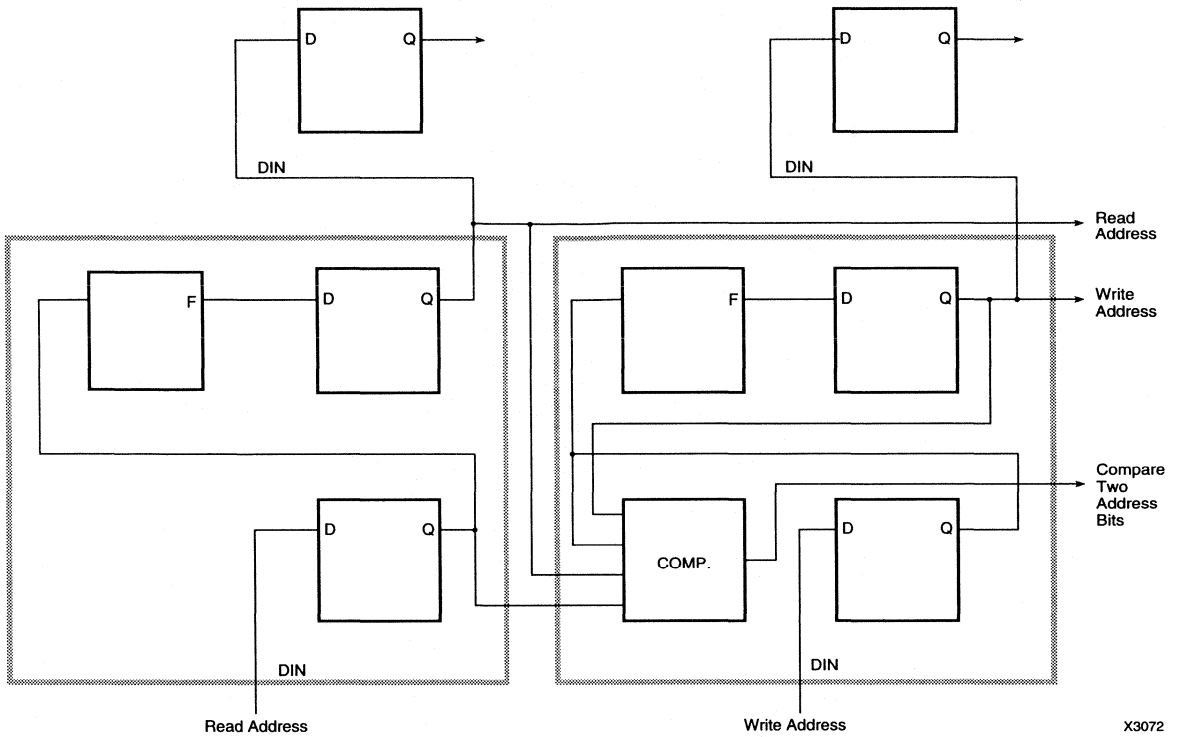


Figure 3. 2-Bit Slice of Two Counters and Comparator in Two CLBs

X3072

## Summary

CLBs are used to emulate IEEE1149.1 Boundary Scan. The LCA device is configured to test the board interconnect, and then reconfigured for operation.

## Specifications

Tests Supported	EXTEST
Number of CLBs	11 Core Logic 1/2 to 1-1/2 per IOB 1 per 3-State Control

## Xilinx Family

XC3000/XC3100

## Demonstrates

State Machine Design

## Introduction

With more complex integrated circuits and more densely packed PC boards, testability is a major issue. One solution to the testability problem is boundary scan. The XC4000-series LCA devices include boundary scan registers that meet the requirements of the IEEE1149.1 standard. While this standard provides for diagnostic testing and supports built-in self-test (BIST), one of its primary objectives is the testing of the interconnections between ICs. This is achieved using a mandatory external test mode, called EXTEST.

Although the XC3000-series LCA devices do not contain boundary-scan registers, it is possible to configure an XC3000 to emulate the EXTEST. This emulation consumes a significant amount of the LCA resources (almost all in an XC3020), and it is not suggested that boundary scan be built into a working design. However, because the RAM-based LCA device is reconfigurable, it can be configured for board testing, and then reconfigured for operation.

The second mandatory test mode, SAMPLE/PRELOAD, has no meaning because the LCA device must be reconfigured for testing. It is not, therefore, supported by the emulator. However, the minimum 2-bit Instruction Register provides four instructions to select between two choices, the Test Data and Output Registers. For consistency with other boundary-scanned parts, one of these instructions could be used to create a dummy SAMPLE/PRELOAD mode. Functionally, this would duplicate the EXTEST with the Test Data Register selected.

Four pins must be dedicated to the Test Access Port (TAP). Due to external interconnection requirements, these pins can probably not be reused in the actual design.

The TAP Controller, Instruction Register, Bypass Register and Test Data Output Buffer together with miscellaneous logic require 11 CLBs. The CLB requirement for the Test Data Register depends upon the number of IOBs used, and how they are configured. Each requires between 1/2 and 1-1/2 CLBs, plus 1 CLB for each distinct 3-state control. While this may not allow every IOB to be bidirectional with an independent 3-state control, it will accommodate most designs.

A specific boundary-scan emulation must be created for each LCA design. This comprises the 11 CLBs of core logic, which is common to all emulations, and a Test Data Register concatenated from four standard cells according to the output usage in the design. The output pins must be tied to match the design.

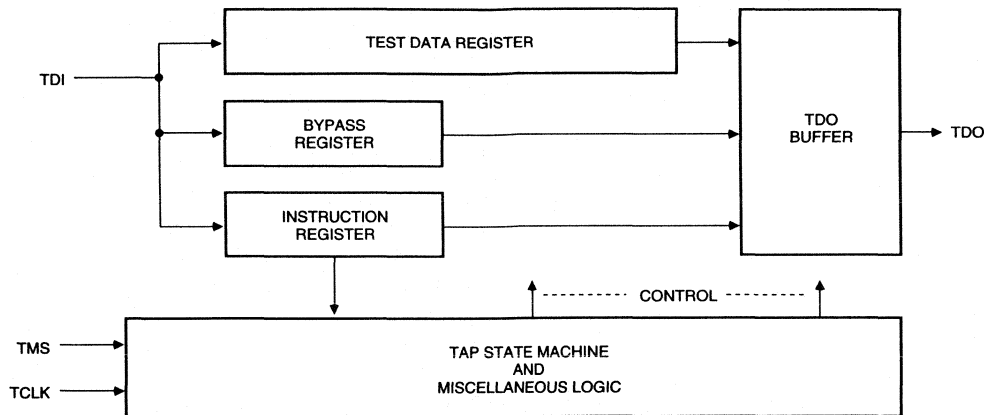
## Operating Description

### Overview

A block diagram of the IEEE1149.1 Boundary-Scan emulator is shown in Figure 1. The four pins used are Test Data In (TDI), Test Data Out (TDO), Test Mode Select (TMS) and Test Clock (TCK). Operation of the emulator is controlled by the TAP state machine. This, in turn, is controlled by the serial TMS data stream.

Test data is shifted from TDI, through either the Instruction or Test Data/Bypass Registers, to the TDO. The choice between Instruction and Test Data/Bypass Registers is made according to the TMS bit-stream. The Test Data or Bypass Register is selected by the contents of the Instruction Register.

Before shifting commences, input data is captured by a parallel transfer into the appropriate shift register. After shifting is complete, new data is transferred in parallel into a second register where it is available to the outputs.



X1981A

Figure 1. IEEE 1149.1 Emulator Block Diagram

After configuration, the emulator automatically enters the power-up state required by the specification, and therefore, the Test Reset Signal (TRST) is not implemented. However, the polarity of all the registers is such that global reset may be used for this, if desired. The input pins used for TMS and TDI, and TRST if used, should be pulled up.

#### TAP Controller State Machine

The state diagram for the TAP Controller state machine is shown in Figure 2. This is implemented as two linked state machines, each using "one-hot" encoding.

The state-assignment table for this state machine is shown in Figure 3. Four state variables are used to create the states Test Logic Reset, Run Test/Idle, Select DR Scan and Select IR Scan.

In the latter two states, the second state machine may be initiated. This has six state variables, and creates the states Capture (CAP), Shift (SH), Exit1 (E1), Pause (PAU), Exit2 (E2) and Update (UPD). These are qualified by the output of the first state machine to control the Test Data and Instruction Registers as necessary.

While this second state machine is operating, the first state machine is held in its current state. Following the Update state, the first state machine is forced to the appropriate state determined by TMS.

Figure 4 shows the schematic diagram of the state machine, together with the equations that determine its next state. The only point of special interest is the use of clock enable in the first state machine. When the second state machine is in any of its first five states, the clock is disabled in the first state machine, thereby saving complexity in the next-state logic.

Note that the RTI flip-flop has inverters at its input and output. This causes the RTI state to be stored in active-low form, such that this state is activated upon configuration or global reset. The pairs of flip-flops identified by circled numbers may be combined into single CLBs. The state machine requires six CLBs.

#### Instruction Register

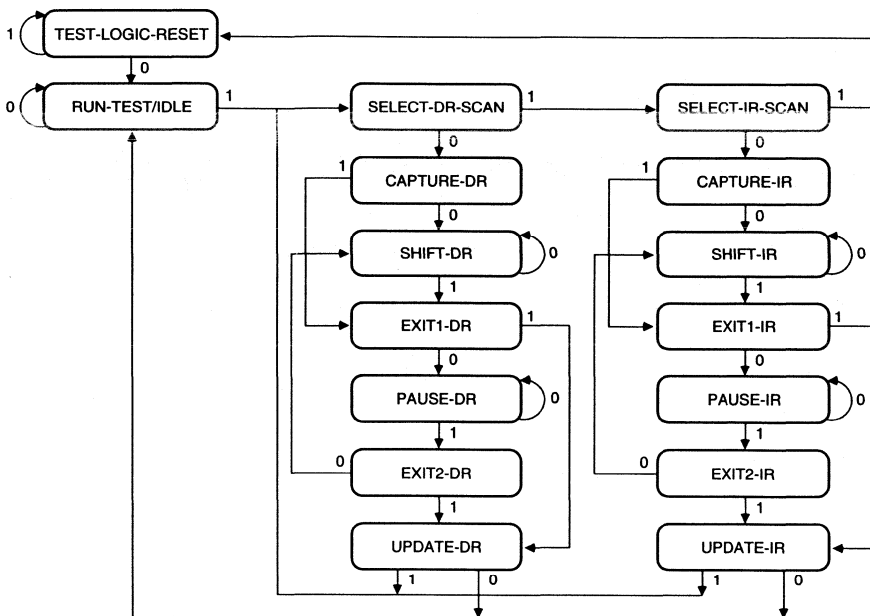
The Instruction Register, shown in Figure 5, is two bits long, the minimum according to the specification. The shift register is enabled when the Instruction Register is selected by the state machine. In the Capture state, it is parallel loaded with 01(Binary), as required by the specification. It shifts data in the Shift state, and holds at other times.

Data from the shift register is clocked into the parallel register during the Update IR state. This parallel register is provided with a synchronous reset, which operates during the Test Logic/Reset state. The data in the parallel register is stored in inverted form, such that the Bypass Register (mandatory code: all ones) is selected after configuration or following a global reset.

For verification that the correct configuration has been loaded, additional bits could be added at the TDI end of the shift register. During Capture, these would be loaded with a code unique to the configuration. This would then be shifted out and become available as status bits. The parallel register need not be extended. Alternatively, the optional ID Code register could be implemented.

#### Test Data Register

The Test Data Register contains as many bits as there are used IOBs, plus one bit for each distinct 3-state control. This is concatenated from four types of 1-bit macros. Each of these is tied to a specific IOB, and the type of macro is determined by the function of the IOB.



NOTE: The value shown adjacent to each state transition in this figure represents the signal present at TMS at the time of a rising edge at TCK.

X3208

**Figure 2. State Diagram for the TAP Controller**

The simplest macro, shown in Figure 6, is used for input pins. Data from the pad is loaded during Capture, when the Test Data Register is selected. This macro uses 1/2 CLB.

Figure 7 shows the second macro, which also requires 1/2 CLB. Although this may be used for 3-state and bidirectional outputs, it is most appropriate for simple outputs. Data from the shift register is clocked into the IOB output flip-flop by Update DR. During Capture, data from the pad is loaded into the shift register.

If the output is enabled, as is always the case in a non-3-state pin, the data captured is the contents of the parallel register, provided it is not corrupted by an interfering external signal. If the 3-state output is not enabled, data is always captured from an external source; or it is undetermined if an external source does not exist.

A better output macro is shown in Figure 8. The IOB flip-flop is replaced with a CLB flip-flop. During Capture, the parallel register is always read back into the shift register. However, this macro requires 1 CLB per output.

This macro should also be used to control 3-state outputs. When the design gangs several outputs onto one 3-state control, only one of these macros need be used to control the ganged outputs.

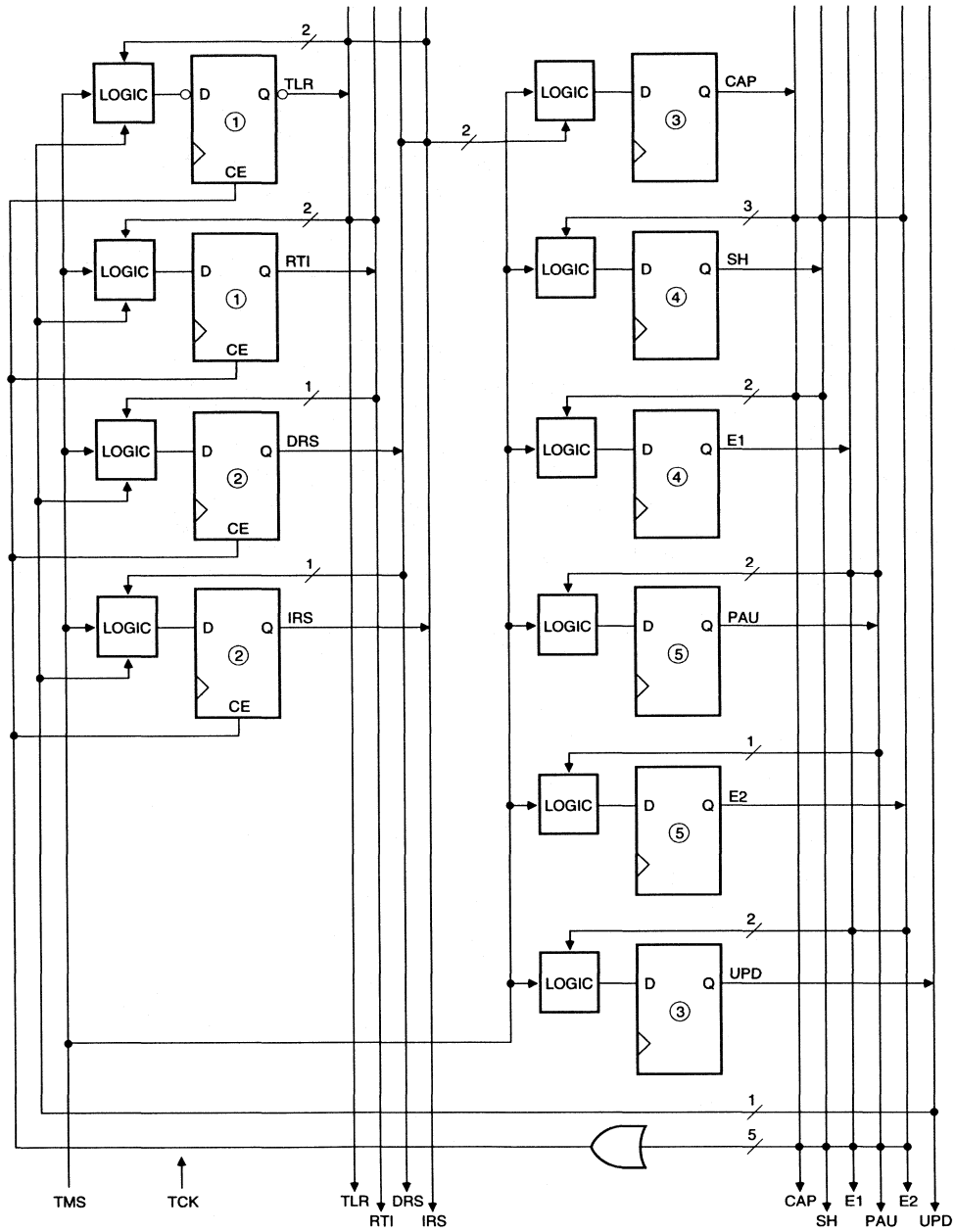
The last macro, shown in Figure 9, is an enhanced macro for bidirectional pins. This operates in the same way as the enhanced 3-state output macro, but has an additional multiplexer that selects between the input data and the

	TLR	RTI	DRS	IRS	CAP	SH	E1	PAU	E2	UPD
TEST LOGIC RESET	1	0	0	0	0	0	0	0	0	0
RUN TEST/IDLE	0	1	0	0	0	0	0	0	0	0
SELECT DR SCAN	0	0	1	0	0	0	0	0	0	0
CAPTURE DR	0	0	1	0	1	0	0	0	0	0
SHIFT DR	0	0	1	0	0	1	0	0	0	0
EXIT 1 DR	0	0	1	0	0	0	1	0	0	0
PAUSE DR	0	0	1	0	0	0	0	1	0	0
EXIT 2 DR	0	0	1	0	0	0	0	0	1	0
UPDATE DR	0	0	1	0	0	0	0	0	0	1
SELECT IR SCAN	0	0	0	1	0	0	0	0	0	0
CAPTURE IR	0	0	0	1	1	0	0	0	0	0
SHIFT IR	0	0	0	1	0	1	0	0	0	0
EXIT 1 IR	0	0	0	1	0	0	1	0	0	0
PAUSE IR	0	0	0	1	0	0	0	1	0	0
EXIT 2 IR	0	0	0	1	0	0	0	0	1	0
UPDATE IR	0	0	0	1	0	0	0	0	0	1

X1983

**Figure 3. State Assignment for the TAP State Machine**





X3209

Figure 4a. TAP State Machine (6 CLBs)

$$\begin{aligned} \text{TLR} &= \text{CE}[(\text{IRS} \cdot \overline{\text{UPD}} + \text{TLR}) \cdot \text{TMS}] + \overline{\text{CE}} \cdot \text{TLR} \\ \text{RTI} &= \text{CE}[(\text{TLR} + \text{RTI} + \text{UPD}) \cdot \text{TMS}] + \overline{\text{CE}} \cdot \text{RTI} \\ \text{DRS} &= \text{CE}[(\text{RTI} + \text{UPD}) \cdot \text{TMS}] + \overline{\text{CE}} \cdot \text{DRS} \\ \text{IRS} &= \text{CE}[(\text{DRS} \cdot \overline{\text{UPD}} + \text{TMS}) + \overline{\text{CE}} \cdot \text{IRS}] \\ \text{CAP} &= (\text{RDS} + \text{IRS}) \cdot \text{TMS} \\ \text{SH} &= (\text{CAP} + \text{E2} + \text{SH}) \cdot \text{TMS} \\ \text{E1} &= (\text{CAP} + \text{SH}) \cdot \text{TMS} \\ \text{PAU} &= (\text{E1} + \text{PAU}) \cdot \overline{\text{TMS}} \\ \text{E2} &= \text{PAU} \cdot \text{TMS} \\ \text{UPD} &= (\text{E1} + \text{E2}) \cdot \text{TMS} \\ \text{CE} &= \text{CAP} + \text{SH} + \text{E1} + \text{PAU} + \text{E2} \end{aligned}$$

X1985

**Figure 4b. TAP State Machine Logic Equations**

parallel register according to the 3-state control. This macro uses 1-1/2 CLBs.

### Bypass Register

The Bypass Register, shown in Figure 10, operates when the Data Register is selected. A zero is loaded during Capture, and data is shifted through the register during Shift. Otherwise, the register holds. The Bypass Register uses 1/2 CLB

### TDO Buffer

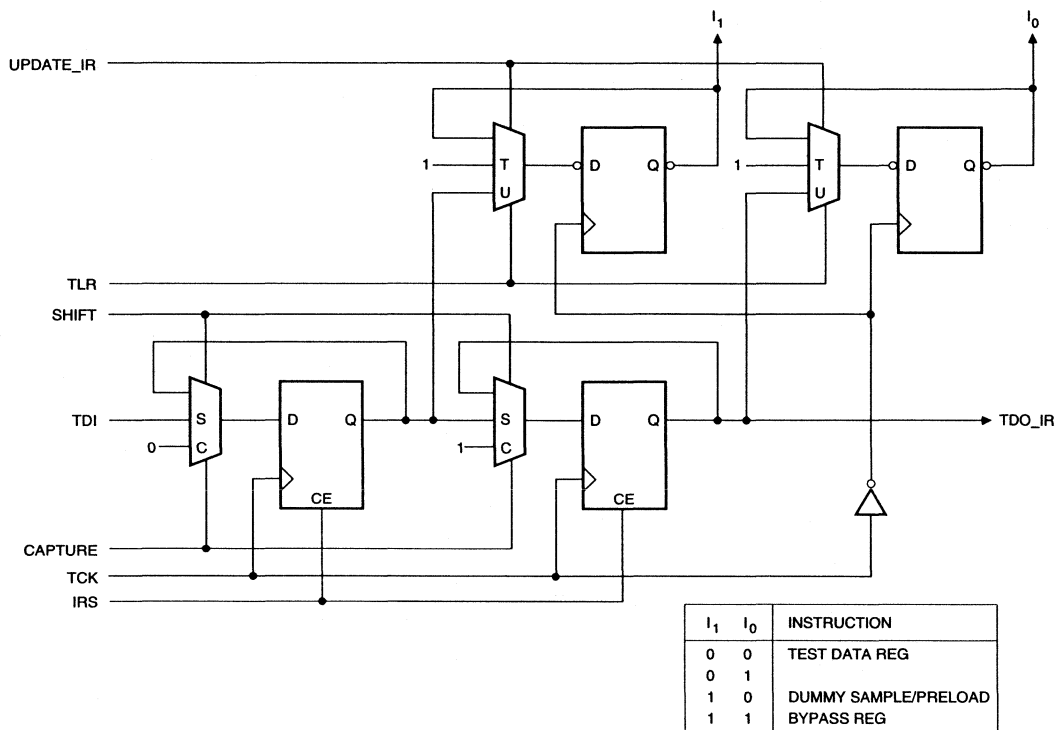
Figure 11 shows the Test Data Output Buffer. Data is selected from the Instruction Register, the Test Data Register or the Bypass Register, and clocked out on the negative edge of TCK. The 3-state output is only enabled during Shift. The TDO Buffer uses 1 CLB.

### Miscellaneous Logic

The Miscellaneous Logic, shown in Figure 12., uses 1-1/2 CLBs. Its function is to combine states from the state machine to enable various registers.

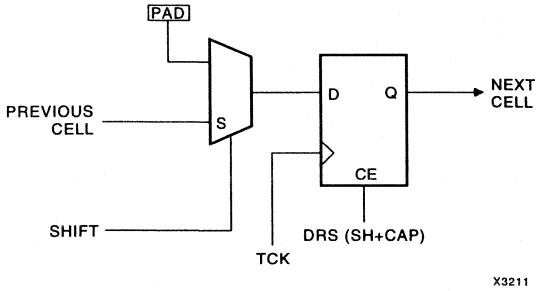
Most registers in the emulator are clocked by TCK (or its inverse) and controlled by enables. The only exception is the IOB flip-flop used in the simple output macro of the Test Data Register. Since IOB flip-flops have no clock enable, a gated clock must be used.

Rather than ANDing the clock with a gating signal, a flip-flop is used. During Update when the Data Register is selected, Update DR is clocked High on the negative edge of TCK. The state machine can only remain in this state for one period, and this defines the length of the update clock. The ACLK buffer is used to distribute the Update DR clock.



X3210

**Figure 5. Instruction Register (2 CLBs)**



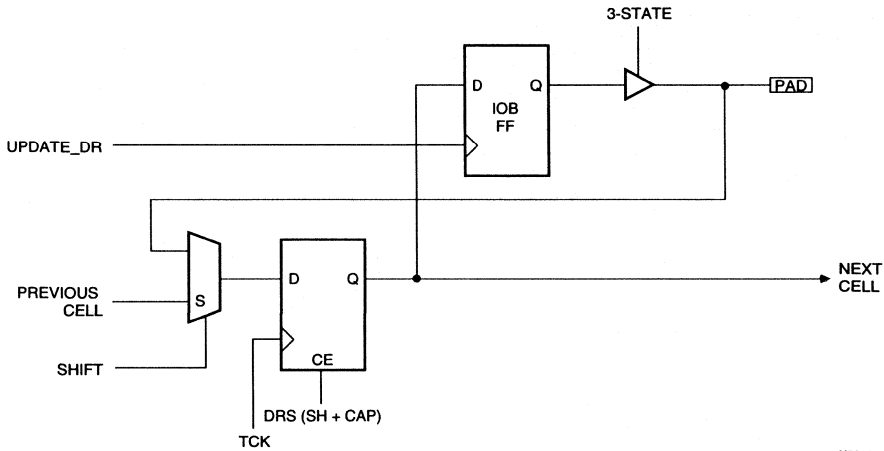
X3211

Figure 6. Data Register Input Cell (1/2 CLB)

Implementation Notes

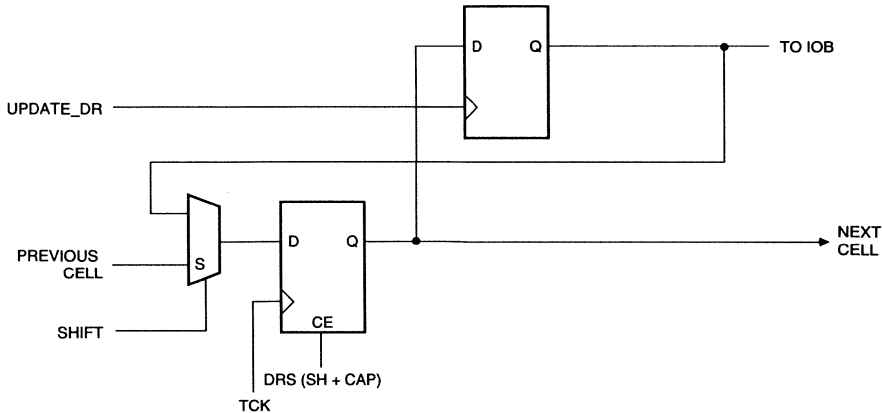
The design support for the XC3000 Boundary-Scan Emulator comprises five soft macros. The first of these contains the 11 CLBs of core logic, including the Test Access Port. Location constraints must be added to the schematic to specify the desired location of the TAP input and output pins.

The remaining macros support different types of input/output pins. These macros need to be selected according to the input/output utilization, and connected to form a shift register between the data pins of the first macros. Again, a location constraint must be added to each macro, specifying the pin with which it is associated.



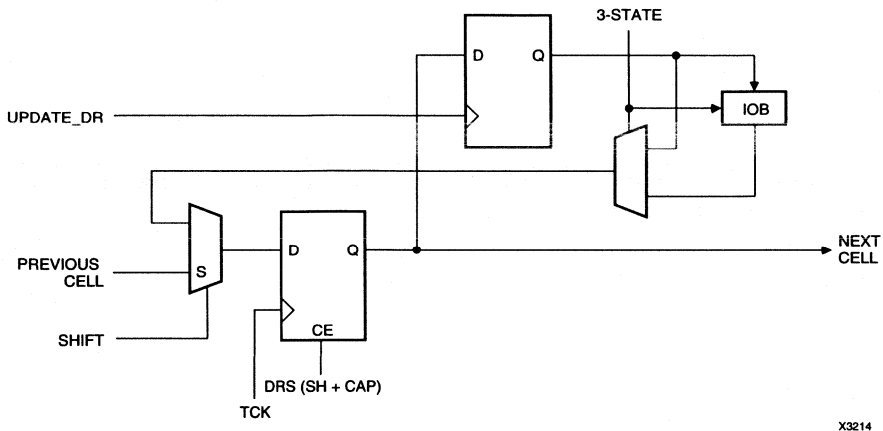
X3212

Figure 7. Data Register Output/Bidirectional Cell (1/2 CLB + IOB Flip-Flop)



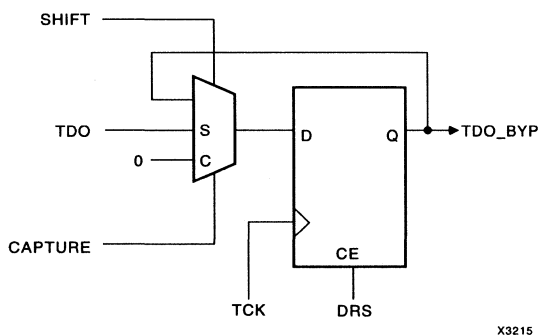
X3213

Figure 8. Data Register Enhanced Output/3-state Cell (2 bits/2 CLBs)



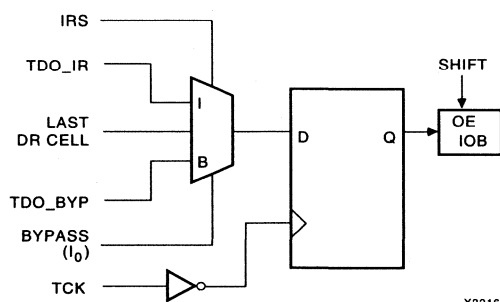
X3214

Figure 9. Data Register Enhanced Bidirectional Cell (1-1/2 CLBs)



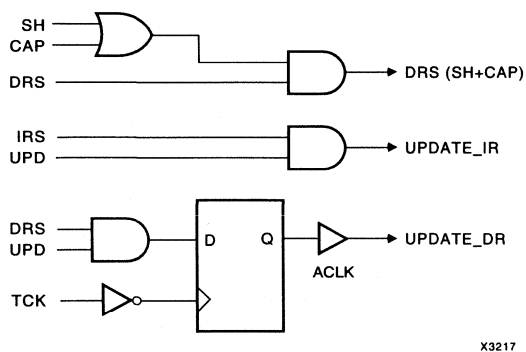
X3215

Figure 10. Bypass Register (1/2 BLB)



X3216

Figure 11. TDO Buffer (1 CLB)



X3217

Figure 12. Miscellaneous Logic (1-1/2 CLBs)

*Summary*

Complex digital waveforms are generated without the need for complex decoding. Instead, fast loadable counters are used to time individual High and Low periods.

*Specifications*

Minimum High/Low Time	44 ns
Maximum High/Low Time	>250 $\mu$ s
Resolution	4 ns
Number of Highs and Lows	32
Number of CLBs	40

*Xilinx Family*

XC3000/XC3100
XC4000

*Demonstrates*

Fast Loadable Counters
CLB ROMs

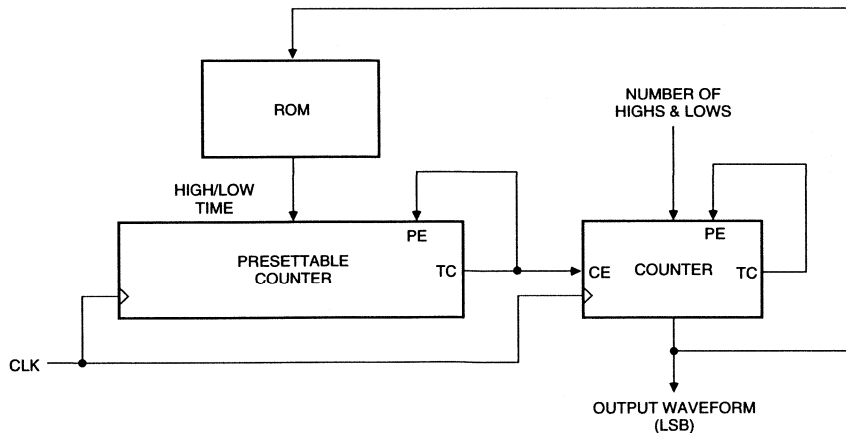
Complex digital waveforms with unequally spaced transitions are often generated by decoding a counter that times the duration of individual High and Low segments of the complex waveform. If precise placement of edges is required, the counter must be clocked at high frequency. This increases the burden on the decoders; not only must they settle faster, but if the period of the waveform remains constant, they must become wider. These two requirements are incompatible. Decoders typically become slower as they get wider.

In LCA devices, this problem can be overcome by using high-speed counters in conjunction with data stored in ROM. The data stored in the ROM is not the waveform itself, but a run-length encoded version of it. A block diagram of the waveform generator is shown in Figure 1.

The values stored in the ROM are used to load a presettable counter that times the duration of individual High and Low segments of the complex waveform. A second counter is enabled whenever the timer is reloaded, and tracks the segment number in the waveform. This is used to address the ROM and access the length of the next segment.

The least significant bit of the second counter toggles after each cycle of the timer and thus creates the output waveform. This output is guaranteed to be glitch free, since it is generated by toggling a flip-flop.

In an LCA device, the ROM may be implemented in the CLBs. Each function generator may be used as a



X1927A

Figure 1. Precision Waveform Generator

16 x 2-bit ROM or as a 32 x 1-bit ROM. In the XC3000 series, ROM data may be entered at the schematic level using 16:1 or 32:1 multiplexers to represent ROM bits. The ROM values are applied to the data inputs of these multiplexers as hard-wired ones and zeros. CLBMAPs are used to lock the multiplexers into CLBs. APR incorporates the ones and zeros into the logic function, and creates the desired ROM as 4- or 5-input function generator look-up tables.

Using a state-skipping technique, the maximum clock rate for a presetable counter in an XC3100-series LCA device is 270 MHz. This provides for defining the duration of Highs and Lows in 4-ns increments. In such a counter, the shortest delay is 11 clocks, giving a minimum High or Low time of 44 ns. While some periods longer than this are also unavailable, the availability of all periods of 30 clocks or greater ( $\geq 120$  ns) is guaranteed. The 16-bit timer allows maximum High and Low times of

262  $\mu$ s. Up to 32 Highs and Lows can be accommodated using 32-word ROMs, for total waveform periods of up to 8 ms.

The 16-bit timer requires 18 CLBs, and a further six are used in the segment counter. The 32 x 16-bit ROM adds 16 CLBs, for a total of 40.

ROM values may be used more than once in a waveform. To do this, the output of the second counter must be encoded to the appropriate ROM address. With this technique, any waveform length may be accommodated, provided it comprises a limited number of distinct time intervals.

Multiple waveforms may also be generated using this scheme. A single timing counter is used to create a super-set of transition times for all the waveforms. Individual state machines are then used to create the different waveforms from this timing information.

## Summary

### Harmonic Frequency Synthesizer

Uses an accumulator technique to generate frequencies that are evenly spaced harmonics of some minimum frequency. Extensive pipelining is employed to permit high clock rates.

### FSK Modulator

A modification of the Harmonic Frequency Synthesizer that automatically switches between two frequencies in accordance with an NRZ input.

## Specifications

### Harmonic Frequency Synthesizer

Maximum Output Frequency	67 MHz
Minimum Output Frequency	1 Hz
Frequency Spacing	1 Hz
Clock Frequency	67 MHz
Number of Bits	26
Number of CLBs	52

### FSK Modulator

Operating Frequencies	10/11 MHz
Jitter	±8 ns
Clock Frequency	64 MHz
Number of CLBs	10

## Xilinx Family

XC3000/XC3100  
XC4000

## Demonstrates

Pipelining

## Introduction

Most frequency synthesizers derive their output by using programmable counters to divide the clock frequency. This results in a set of attainable output frequencies that are sub-harmonics of the clock, and are defined by the following equation.

$$f_{OUT} = f_{CLK} / N$$

These frequencies are unevenly spaced, and the spacing becomes especially coarse as the required frequency approaches the clock frequency, where only one half, one third, etc. are available. If more than one exact frequency is required, the clock must be a common multiple of these frequencies.

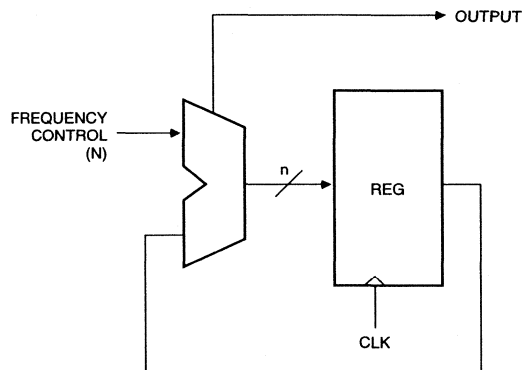
A better approach is to use an accumulator to generate the frequencies, as shown in Figure 1. This results in a set of harmonic frequencies, defined by the equation:

$$f_{OUT} = N \times f_{CLK} / 2^n$$

Here the attainable frequencies are evenly spaced. If multiple frequencies are required, the clock need only be a binary multiple of a common factor of the frequencies. This requirement is often easier to satisfy. In particular, if

the clock rate is a power of two, all integer frequencies up to the clock rate can be generated.

It must be recognized, however, that these frequencies describe the average rate at which output pulses are generated. Output transitions can only be generated an



X1928A

Figure 1. Accumulator-based Frequency Synthesizer

integer number of clock periods apart, and this leads to jitter. As the output frequency approaches the clock rate, this jitter becomes severe.

A potential disadvantage of this scheme is the complexity of the adder and its effect on speed, when compared to the counter approach. However, this can be overcome through the use of pipelining.

**Operating Description**

Each Xilinx XC3000-series and XC4000-series CLB contains two flip-flops. One of these can be used to form the accumulator register, leaving the other to pipeline the carry path. A pipeline flip-flop is inserted between all the bits of the adder. The output skew this creates is not a problem as only the carry-out is of interest.

Matching the pipeline delay at the input is also not an issue if only one frequency is required, as the input never changes. If multiple frequencies are required, the input might simply be changed, but this would cause a phase discontinuity. Where this is unacceptable, a delay equalizer must be added, such that each addition into the accumulator is completed with the same input.

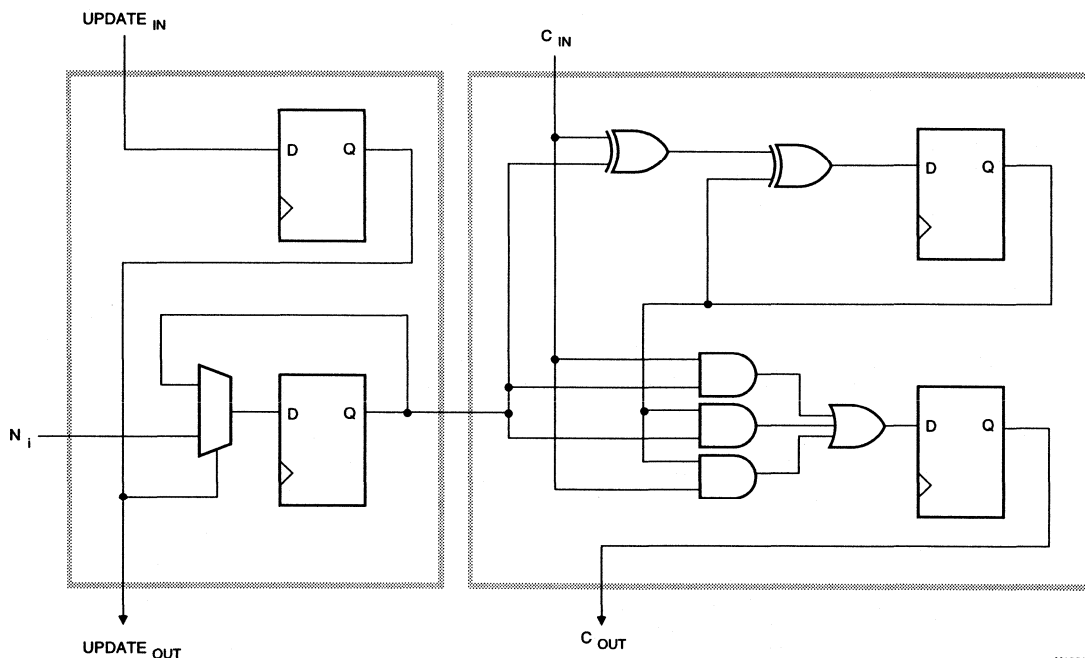
Conceptually, this requires a triangular array of registers, generating a 1-clock delay into the input of the second bit,

a 2-clock delay into the third bit, and so on. However, this can be greatly simplified if the input only changes occasionally.

Figure 2 shows the accumulator cell with its delay equalizer. The accumulator cell is a simple full adder with its output registered and fed back to one of its inputs. A pipeline flip-flop is introduced into the carry path.

The accumulator input that controls the frequency is stored in a register. Individual bits of this holding register are enabled from flip-flops that are connected as a shift register. When the frequency is to be changed, the appropriate number is input to a holding register, and a single one introduced into the shift register. As this one propagates through the shift register, individual bits of the holding register are successively updated. This update occurs in synchronism with an addition propagating through the pipelined adder.

For an n-bit accumulator, the data must be held at the input to the holding register for n clocks after the update pulse. This is the only restriction on how fast the frequency can be changed. Also, it takes n clocks from the update pulse before the frequency change is reflected at the output. At this time, however, the change is instantaneous and phase continuity is maintained.



**Figure 2. Bit-slice of the Frequency Synthesizer**

X1929A



This synthesizer design uses two CLBs per bit. Exploiting the direct interconnect between CLBs in the XC3000-series devices, either version can be operated at clock frequencies in excess of 90 MHz in a -125 part. If placement and routing do not provide for direct interconnect, the maximum speed is reduced. This is always true when the accumulator is longer than one column of CLBs in the target LCA device.

As an example, a 26-bit frequency synthesizer, clocked at 67.108864 MHz ( $2^{26}$  Hz), generates every integer-valued frequency up to this clock rate. Fifty-two CLBs are required, and the synthesizer fits into any XC3000-series LCA device.

A harmonic frequency synthesizer is useful as an FSK modulator. For FSK modulation, the synthesizer must alternate between two frequencies. This can easily be accommodated by modifying the delay equalizer, as shown in Figure 3.

Two numbers, appropriate to the two frequencies, are applied to the delay equalizer. If the frequencies must be programmable, these numbers can come from inputs or registers. Otherwise, they can be hard-wired at the inputs of the CLBs, or individual function generators can be modified to incorporate them.

NRZ data is applied to the shift register. As this propagates through the shift register, multiplexers at the input to

each bit of the holding register detect changes in the data. When a change is detected, the bit is reloaded from the appropriate number. Again, changes ripple through the holding register in synchronism with the additions. The NRZ data may change every clock, if required.

A typical FSK modulator, as shown in Figure 4, might be required to switch between 10 and 11 MHz. To give a square output, a flip-flop is used to divide the synthesizer output by two. This flip-flop may be the carry pipeline of the final adder, modified to toggle with the carry rather than storing it.

The toggle flip-flop must be enabled at frequencies that are twice the output frequencies. The largest common factor of 20 and 22 MHz is 2 MHz, and the clock frequency must be a binary multiple of this. Higher binary multipliers will result in lower jitter. In this case, 64 MHz is chosen. This is  $2^5$  times 2 MHz, and a 5-bit accumulator must be used. Twenty and 22 MHz are 10 and 11 times 2 MHz, respectively, and these are the numbers that must be accumulated to generate the frequencies (0A Hex and 0B Hex). This FSK modulator may be implemented in only 10 CLBs.

If an analog output is required, either version of the synthesizer may be used to control a counter, as shown in Figure 5. The output of this counter is used to access a look-up table, which provides data to a DAC.

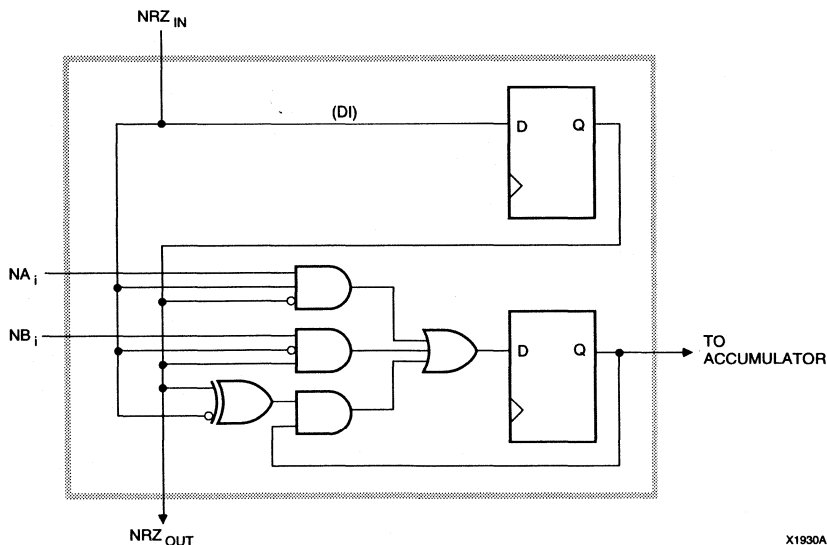


Figure 3. Delay Equalizer for an FSK Modulator

X1930A

In the XC3000-series, the CLB function generators may be used as ROMs to implement the look-up table internally. The CLBs actually contain RAMs that are written during configuration. As a result, multiple wave-shapes can be supported by re-configuring the LCA device. The

XC4000-series provides user-accessible RAM in the CLB. Wave-shapes, therefore, can be changed on the fly.

An external look-up table may also be used. In particular, a video RAMDAC can be loaded with the wave-shape. This is sequentially addressed at appropriate intervals to generate the waveform with the desired frequency.

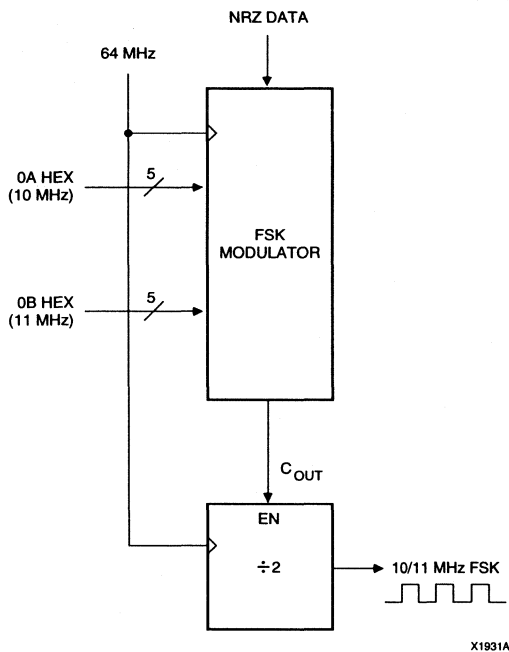


Figure 4. 10/11-MHz FSK Modulator

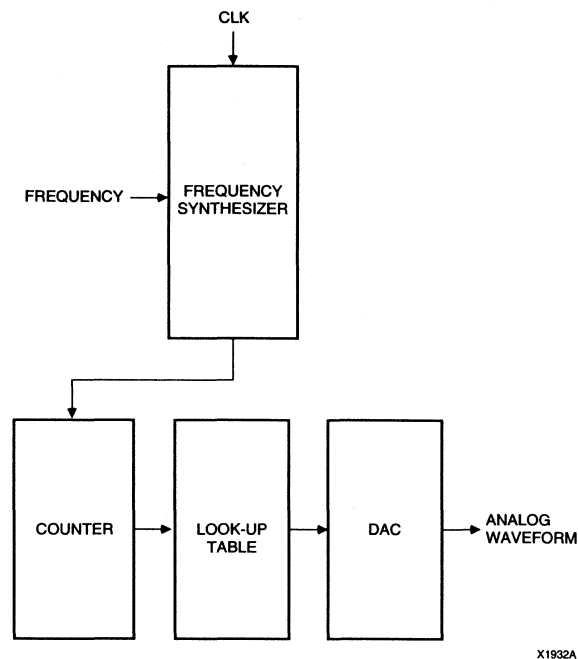


Figure 5. Analog Waveform Generator

**Summary:**

Simple shift registers are used to illustrate how 3-state busses may be used within an LCA device. Dedicated wide decoders are used to decode an I/O address range and enable the internal registers.

**Specifications**

Bus Width	16 Bits
Maximum Bus Speed	40 MHz
Number of Serial Channels	12
Maximum Serial Speed	60 MHz
Number of CLBs	96

**Xilinx Family**

XC4000

**Demonstrates**

3-state Buffers  
Wide Decoders

**Introduction**

The combination of long data lines and 3-state buffers, found in Xilinx devices, is ideal for bus-structured applications. In this simple example, multiple shift registers are implemented to provide a serial input and output facility. This is purely illustrative, and the shift registers may easily be replaced with more complex functions.

In an XC4000-series LCA device, there are two horizontal Longlines equipped with 3-state buffers (T-BUFs) between each row of CLBs. In an XC4005 that has 14

rows of CLBs, there are 28 such lines. However, each of these may be split into two independent halves. This provides for construction of up-to-56-bit busses, although the number of potential bus connections is reduced.

For the purposes of this example, shown in Figure 1, a 16-bit bus is created. The flip-flops in the CLBs are used to implement the shift registers, with two bits per CLB (eight CLBs per shift register), as shown in Figure 2. The function generators preceding the flip-flops are used to

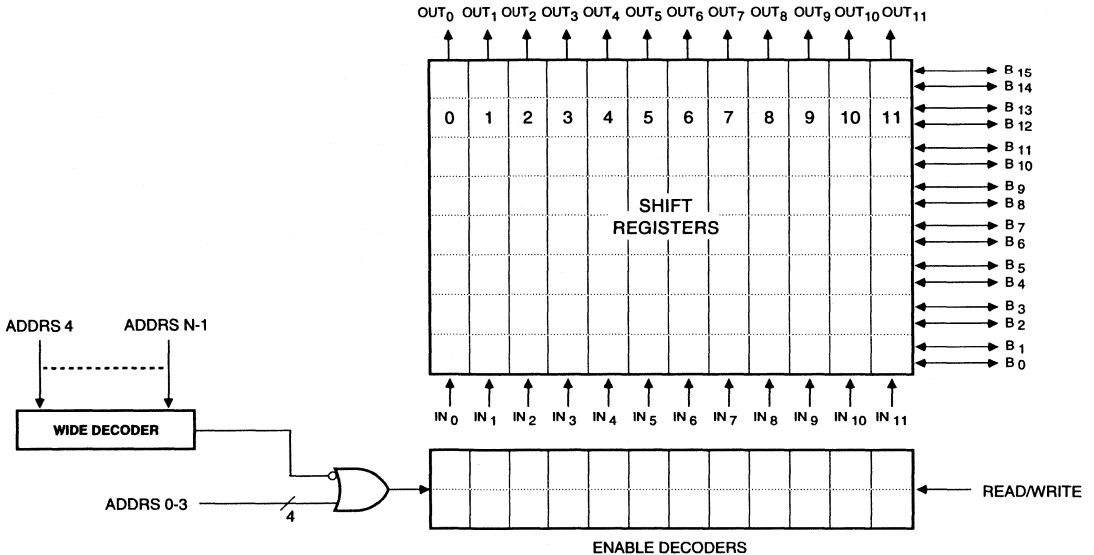


Figure 1. Serial Input/Output System

X1933A

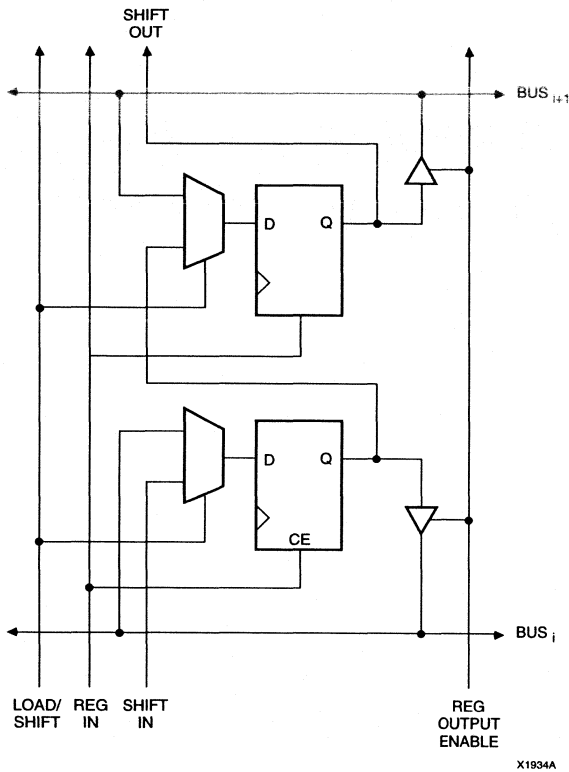


Figure 2. Shift Register CLB

select data. For loading, data is taken from the bus; for shifting, it is taken from the adjacent flip-flop. A register enable is also provided, that must be asserted for either loading or shifting the register.

The connections to the bus are also shown in this diagram. A bidirectional bus has been chosen; both the inputs and outputs are connected to it. Alternatively, separate input and output busses could have been used. One Longline would broadcast data to the shift registers, and a second Longline would use the T-BUFs to multiplex the parallel outputs of the shift register. These busses could remain separate through the chip interface, or be

combined into a single, bidirectional bus in the IOBs. Similarly, the shift-register inputs and outputs could remain separated, or combined for bidirectional operation.

Allowing space for control logic, 12 shift registers may be comfortably fitted onto the bus. These require a 4-bit bus address. This can be routed across the top of the shift registers and decoded at each column. A single CLB can decode the address, and use it to gate an enable signal. Two decoders are required for each shift register; one each for load enable and 3-state enable.

If these registers are part of a larger I/O register space, higher order address bits must also be decoded as chip select. Dedicated logic is provided along the edges of the chip to serve this exact purpose. Using these decoders is much faster than using CLBs, and they are free, because no CLBs are used.

In the decoder, the address bits from the IOBs are input to a wired AND. The inputs to this wired AND can be configured to be inverting or non-inverting. In this way, any fixed combination of ones and zeros can be detected. The XC4005 allows up to 28 address bits to be decoded in a single address decoder, and there are 16 such decoders.

While this totally synchronous I/O system is somewhat unrealistic, it does illustrate the use of the horizontal Longlines for bussing. If required, each shift register could have been clocked separately. This would necessitate the synchronization of the load enables to the individual clocks. However, only 120 of the 196 CLBs have been utilized, and ample space remains for this minor task and any other control functions.

While any combination of functions could be implemented and bussed together in this way, counters are particularly interesting. The dedicated carry logic embedded into each CLB allows loadable counters to be implemented with the same density as the shift registers; two bits per CLB. This would permit the construction of a 12-channel, 16-bit counter/timer.

Note: Implementing the extensive bus structure discussed in this Application Note requires considerable expertise in LCA design. The designer must specify the Longlines to be used, and constrain the placement of logic around them. The approach is only recommended for experienced LCA designers.

*Summary:*

A simple state machine is used to adapt the output of two photo-cells to control an up/down counter. The state machine provides hysteresis for counting parts correctly, regardless of changes in direction.

*Specifications*

Maximum Clock Frequency ~150 MHz  
 Number of CLBs 2

*Xilinx Family*

XC3000/XC3100

*Demonstrates*

State-Machine Design

**Introduction**

A common technique for counting objects is to pass them through a light beam. Problems can arise, however, if a part dithers on the edge of the light beam and is counted more than once, or if the direction of motion changes and a part is recounted rather than uncounted.

These problems may be avoided by using two sensors, as shown in Figure 1. To be counted, an object must first obscure one sensor, then obscure the other, clear the first and finally clear the second. This solves the dither problem as an object must pass entirely through the beam before it can be counted. Sensor signals resulting from the object dithering while entering or leaving the beam will be ignored by the counter.

The direction of motion determines the order in which the sensors are first obscured and then cleared. A state machine recognizes the order and controls an up/down counter to correctly account for parts that pass back and forth through the beam. The hysteresis in the state

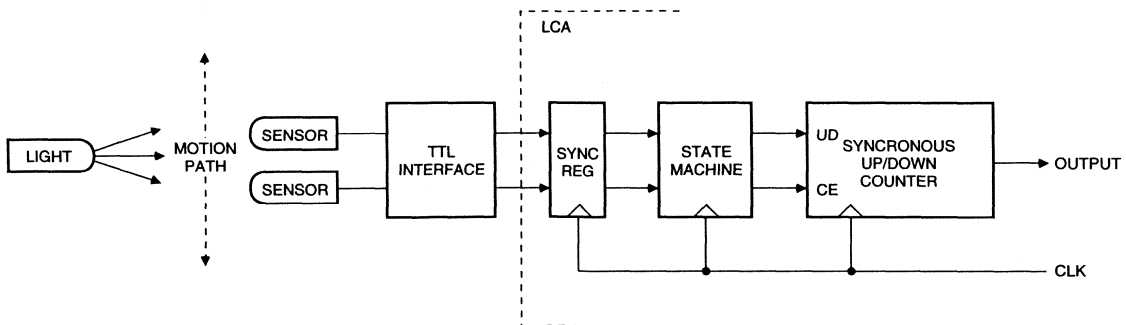
machine even accommodates directional changes while a part is in the beam.

For the scheme to operate correctly, the object must be large enough to obscure both sensors. The sensors are used to control a synchronous state machine, and the object must move slowly enough that it does not obscure or clear both sensors within one clock period.

The bidirectionality of this scheme also makes it suitable for position sensing. The objects discussed above are replaced by a comb attached to some moving part. The part position is determined by counting the teeth on this comb as they pass through the light beam.

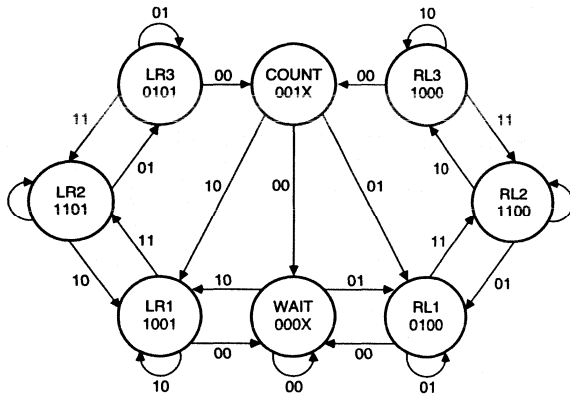
**Operating Description**

The state diagram of the counter controller is shown in Figure 2. Inputs A and B are High when the sensors are obscured. While no objects are present, the state machine holds in the Wait state. As an object moves into the beam, state variables S1 and S2 simply follow the inputs with a one clock delay. When the object exits the



X1994

Figure 1. LCA Light-driven Counter



$S_1 = A$	
$S_2 = B$	
$S_3 = \bar{S}_1 \cdot S_2 \cdot S_4 \cdot \bar{A} \cdot \bar{B}$ $+ S_1 \cdot \bar{S}_2 \cdot \bar{S}_4 \cdot \bar{A} \cdot \bar{B}$	(COUNT ENABLE)
$S_4 = \bar{S}_1 \cdot \bar{S}_2 \cdot A$ $+ \bar{S}_1 \cdot \bar{S}_2 \cdot S_4$	(UP/DOWN)
Input	AB
State Variables	$S_1 S_2 S_3 S_4$

Figure 2. Light-driven Counter State Diagram

beam, the Count state is entered (S3 High) and the counter is enabled. One clock later, the state machine automatically moves out of the Count state and into the Wait state. If a new object is sensed from either direction during the Count state, the Wait state is omitted and the appropriate sequence commenced.

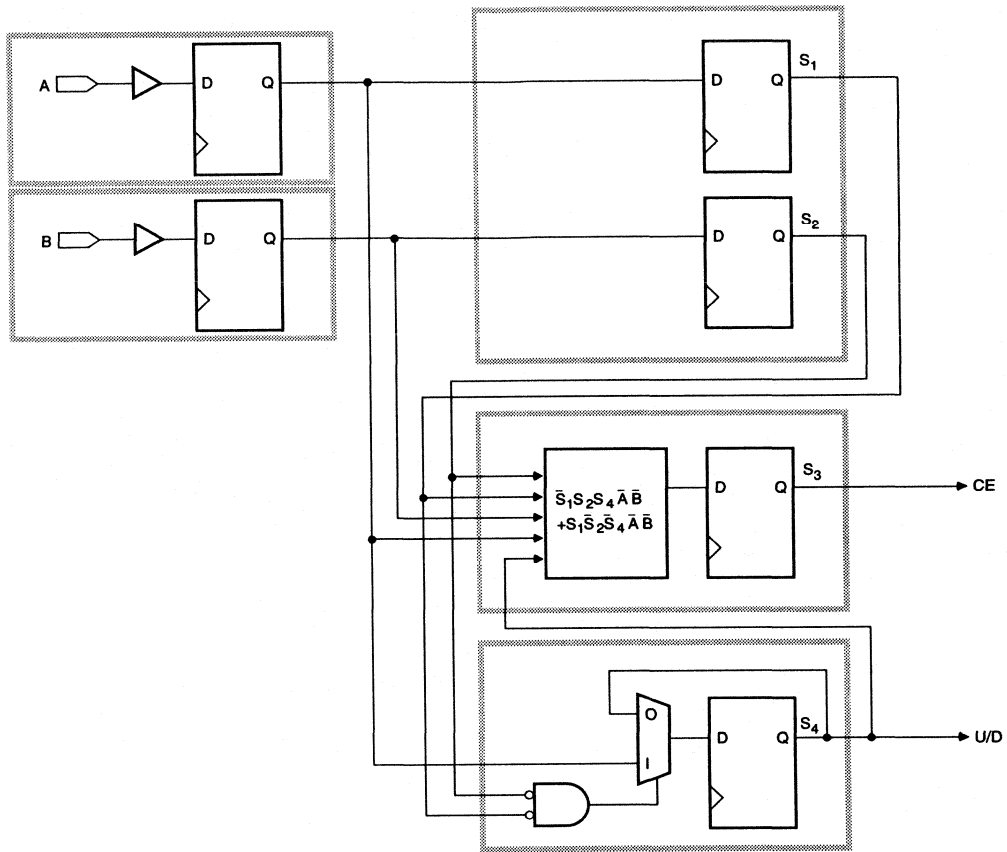
The identity of first sensor to be obscured is stored as the S4 variable. This is used to determine which sensor must be cleared last to ensure that the object has cleared the beam without reversing its direction. S4 also selects up or down operation of the counter. The up/down control is set up at least four clocks before the counter is enabled.

The state machine can be implemented in three CLBs, as shown in Figure 3. The asynchronous TTL-level signals are brought into the LCA device and registered in the IOBs. This synchronizes them to the state-machine clock and eliminates any metastability problems. S1 and S2 share a CLB. S3 is a function of five variables and requires a whole CLB. S4 occupies the third.

If required, the state machine implementation can be reduced to two CLBs. Using the DIN input, S1 can be combined with S3. S2 can then share the second CLB with S4.

Any synchronous up/down counter design may be used in conjunction with this state machine. The maximum count rate required is one fourth the clock rate.

X2653



X1996

Figure 3. Light-driven Counter State Machine

*Summary*

This Application Note describes a high-performance DRAM controller implemented in a single Xilinx EPLD.

*Xilinx Family*

XC7200/XC7300

*Demonstrates*

High-speed State Machines

**Introduction**

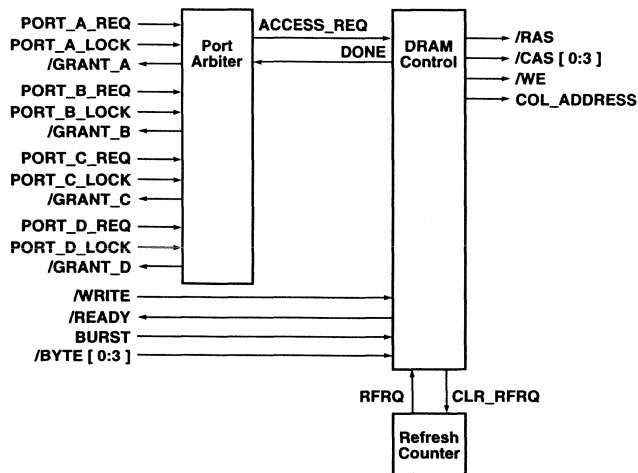
Multi-port memory arrays are used in many applications, such as telecommunications, graphics and VME cards. Although these applications serve many different purposes, they share a common need: they must quickly and efficiently access a shared memory space through several different ports. The control logic must perform a complex arbitration function, yet must run at a high clock speed.

The XC7236A architecture is well suited for implementing the fast, complex state machines found in multi-port arbitration schemes. The XC7236A-16 can implement a quad-ported DRAM memory controller capable of arbitrating among four access requests in one 60-MHz clock cycle. This DRAM controller is capable of supporting 70-Mbyte/s burst transfers over a 32-bit bus, Figure 1.

The design uses 94% of the available Macrocells, yet runs at the maximum specified speed of the device. Familiar third-party tools reduce both the design effort and time, and XEPLD translator quickly compiles even the most complex designs.

**Theory of Operation**

The arbiter implements a round-robin algorithm, where the priorities for the four ports are arranged in circular order; the most recently served port is automatically assigned lowest priority. Each port can also lock the arbiter to retain ownership between back-to-back accesses. Such locking is necessary for semaphore reading and writing in multiprocessor systems.



X1817

**Figure 1. Quad-Port Memory Controller**



The arbiter evaluates incoming access requests while it is in any of four idle states. The specific idle state depends on the last request, and determines the priority of the incoming requests. If the arbiter is not locked, it grants access to the highest priority request that is pending, and issues a memory-access request to the on-chip DRAM controller. During its transition to one of four port-access-active states, the arbiter asserts the grant signal to the appropriate port. The grant signals are used to enable the port control, address and data busses. The arbiter remains in its active state until the DRAM controller signals that it has completed the single or burst access.

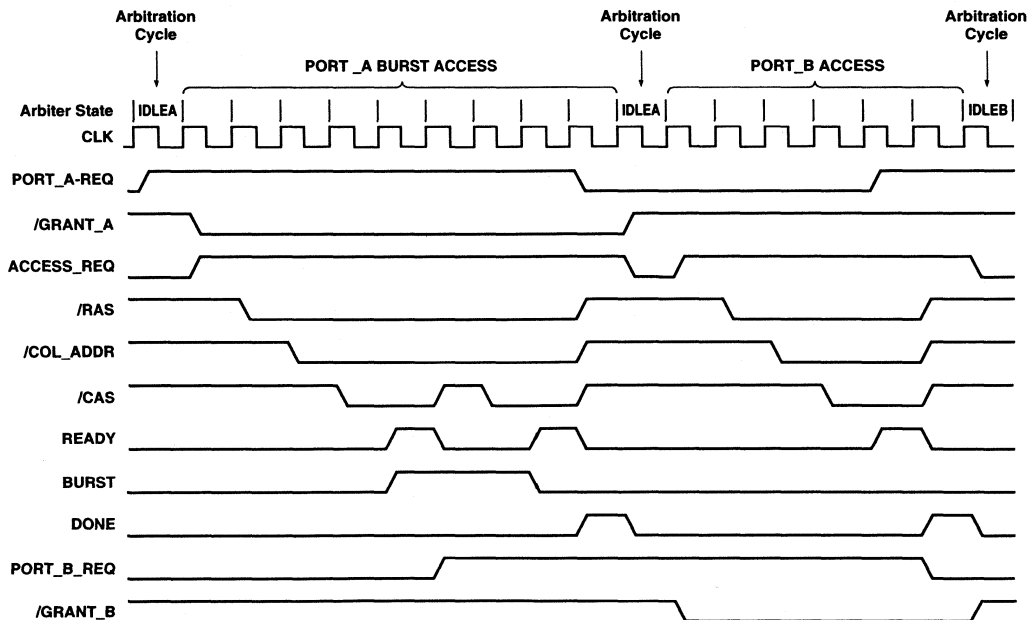
The arbiter then goes to the idle state corresponding to the port that was just serviced, thus placing that port at the lowest priority level. If another access request is pending, the arbiter will issue another memory-access request to the DRAM controller. The data access will occur as soon as the DRAM controller has precharged the memory. The interaction between arbiter and DRAM controller is shown in Figure 2.

The DRAM controller also arbitrates between memory requests from the ports and refresh requests from the on-chip refresh counter, as can be seen in Figure 3. The address-multiplexer control line and the DRAM strobes are sequenced by the controller's state machine. They are enabled by the byte select and write enable outputs of the port.

The controller informs the port when there is valid data on the bus by asserting the READY output. If burst access is enabled, fast 3-clock memory accesses are performed until the port drops the burst request line. The controller then begins to precharge the memory, and asserts DONE to inform the port arbiter that the final memory access is completed.

Device Utilization

When implemented in PLDs, multi-port-arbiter state machines tend to be product-term intensive. The XC7236A is particularly well suited for such applications since each Macrocell can handle up to 17 product terms.



X1818

Figure 2. Quad-Port DRAM Controller Timing Diagram

Of the eight Macrocells required to implement the port arbiter, one Macrocell uses ten product terms, one uses nine terms, one uses eight terms; the remaining five Macrocells use seven product terms each. In total, 148 product terms, and 34 of the 36 Macrocells are used. The Macrocell XOR gates in the XC7236 significantly reduce the number of product terms used in the 10-bit refresh counter. In total, the DRAM controller occupies 94% of the XC7236A.

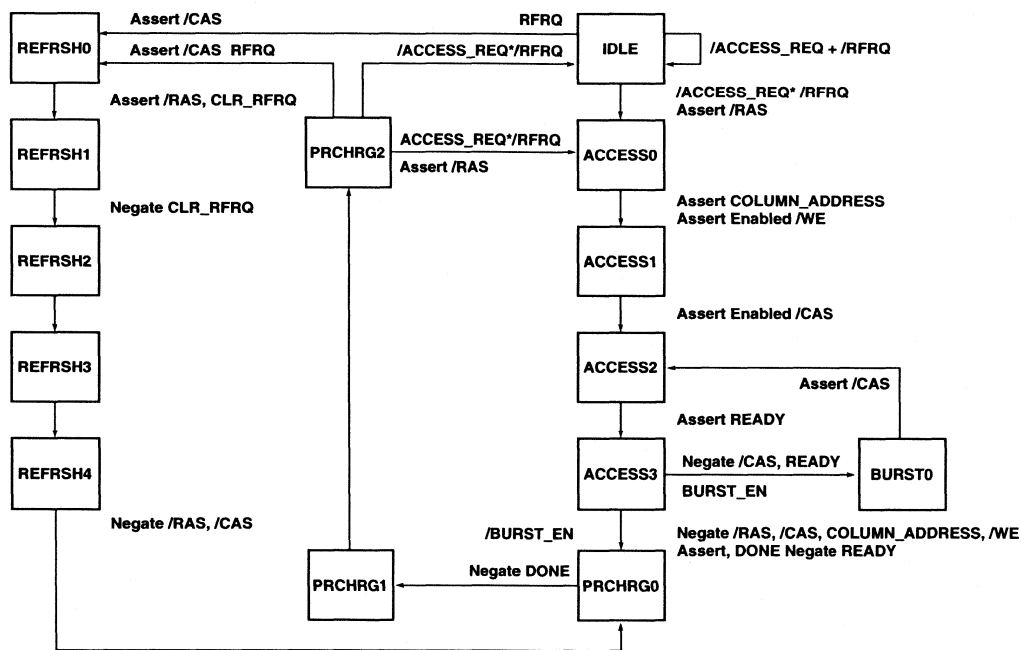
### Design Methodology

The design lends itself very well to a modular behavioral description of its state machine. The ABEL 4 compiler was used to generate three Boolean equation files from high-level descriptions of the refresh counter, and the arbiter

and DRAM controller state machines. A main PLUSASM file was then derived from the three equation files.

In this design, the main file only defines the external signals to and from the XC7236A. With this design approach, individual state machines and counters can be developed in a modular fashion, using the design tools most appropriate to each module. XEPLD software compiles the files in about five minutes, and generates a single file that can be downloaded into the device programmer.

Detailed design files are included with the XEPLD software, and are available from Xilinx Applications. They will soon be available from the Xilinx Technical Bulletin Board.



X1819

Figure 3. DRAM Controller State Diagram

### Summary

This Application Note describes a simple mixer that operates at video rates, and provides 9 levels of mixing.

### Xilinx Family

XC7200

### Demonstrates

High-speed Arithmetic

### Introduction

A digital mixer provides for controlled transition from one incoming digitized analog data source to another. A typical application is in broadcast television where the switching between picture sources should be gradual. The XC7272 can implement such a digital mixer running at a 28-MHz sample rate. It handles two incoming 8-bit data streams, A and B, and mixes them in nine steps, controlled by a 4-bit coefficient, N.

$$\text{Output} = A \frac{N}{8} - B \frac{N}{8}$$

where N = 0, 1, 2....8

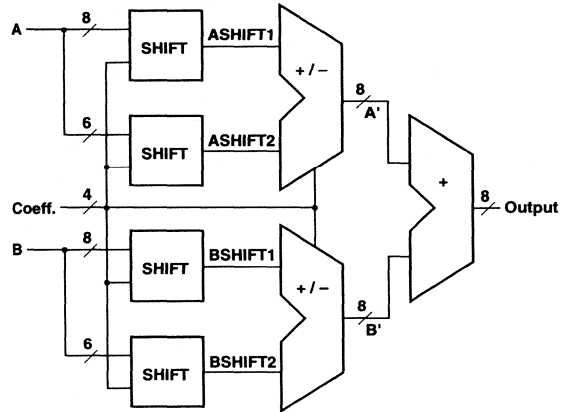
### Operation

The design consists of two processing channels, A and B, combined in an output adder, Figure 1. The two channels are identical in structure, but are driven by complementary coefficients. Each 8-bit data stream is multiplied by its coefficient by adding or subtracting the outputs of two shift arrays, Shift1 and Shift2.

Shift1 can shift by 0, 1, 2, or 3 positions, and can disable its output. Thus, it can multiply the data by 1, 1/2, 1/4, 1/8, or 0. Shift2 can shift by 2 or 3 positions and can also disable its output, thus multiplying the data by 1/4, 1/8, or 0. Table 1 below describes the operation of the complete mixer.

Table 1: Mixer Operation

Coeff	ASHFT1	ASHFT2	A'	BSHFT1	BSHFT2	B'	Output
0	0	0	0	B	0	B	B
1	0.125A	0	0.125A	B	0.125B	0.875B	0.125A + 0.875B
2	0.250A	0	0.250A	0.5B	0.250B	0.750B	0.250A + 0.750B
3	0.250A	0.125A	0.375A	0.5B	0.125B	0.625B	0.375A + 0.625B
4	0.500A	0	0.500A	0.5B	0	0.500B	0.500A + 0.500B
5	0.500A	0.125A	0.625A	0.25B	0.125B	0.375B	0.625A + 0.375B
6	0.500A	0.250A	0.750A	0.25B	0	0.250B	0.750A + 0.250B
7	A	0.125A	0.875A	0.125B	0	0.125B	0.875A + 0.125B
8	A	0	A	0	0	0	A



X1803

Figure 1. 28 MHz Digital Mixer

The design is pipelined for fastest throughput, and has been implemented in one XC7272. It uses 56 of the available 72 Macrocells and 28 signal pins: 16 data inputs, four coefficient inputs, eight data outputs and one clock input. There is room for enhancements such as larger incoming word length or finer coefficient granularity.

## Summary

This Application Note shows how to design complex 2-dimensional filters for digital image processing systems. The XC7200/XC7300 dedicated carry logic is used to perform the complex arithmetic functions.

## Xilinx Family

XC7200/XC7300

## Demonstrates

High-Performance Arithmetic

## Introduction

A digital-image-processing system can acquire an image of an object, process or modify the image data, and use the result in the performance of a task. In such imaging systems, edge detection is fundamental to obtaining such information as contrast, shape, location, and dimension. However, conditions can occur that make the true image edges difficult to detect.

To improve the image quality so that edges can be more accurately identified, image processing systems use digital filtering. This process creates a new image where the data is altered to enhance features of interest.

The performance of digital-image-processing filters is usually limited by software algorithms and system throughput. Faster speeds can be achieved with modified algorithms and dedicated hardware. Using the high-speed arithmetic logic functions embedded into the XC7200 architecture, image-processing systems can perform computationally intensive tasks, such as edge detection and enhancement, without burdening the processor. This feature significantly improves the overall system performance by maximizing the computational throughput.

## Two-Dimensional Convolution

Two-dimensional convolution is a common digital image filtering technique. A new value is calculated for each pixel in the image, based on the value of the corresponding pixel in the old image and those that surrounded it.

In industrial applications, a popular filter operator is the Laplacian edge-enhancement operator, as illustrated in Figure 1. A 3 x 3 coefficient matrix is overlaid on the image, and the nine pixels it covers are each multiplied by the corresponding coefficient. The sum of the nine products is the value in the new image of the pixel that corresponds to the center of the matrix in the original image. For example, if the matrix is centered over the corner [1] in the figure, the result is the [5] in the output image.

Image Data	Laplacian Filter	Detected Edge
0 0 1 1 1		0 -3 3 0 0
0 0 1 1 1	-1 -1 -1	0 -3 3 0 0
0 0 [1] 1 1	X -1 8 -1	= 0 -2 [5] 3 3
0 0 0 0 0	-1 -1 -1	0 -1 -2 -3 -3
0 0 0 0 0		0 0 0 0 0

$$[5] = P_{1,1} \times f_{1,1} + P_{2,1} \times f_{2,1} + \dots + P_{3,3} \times f_{3,3}$$

**Figure 1. Laplacian Edge-Enhancement Operator**

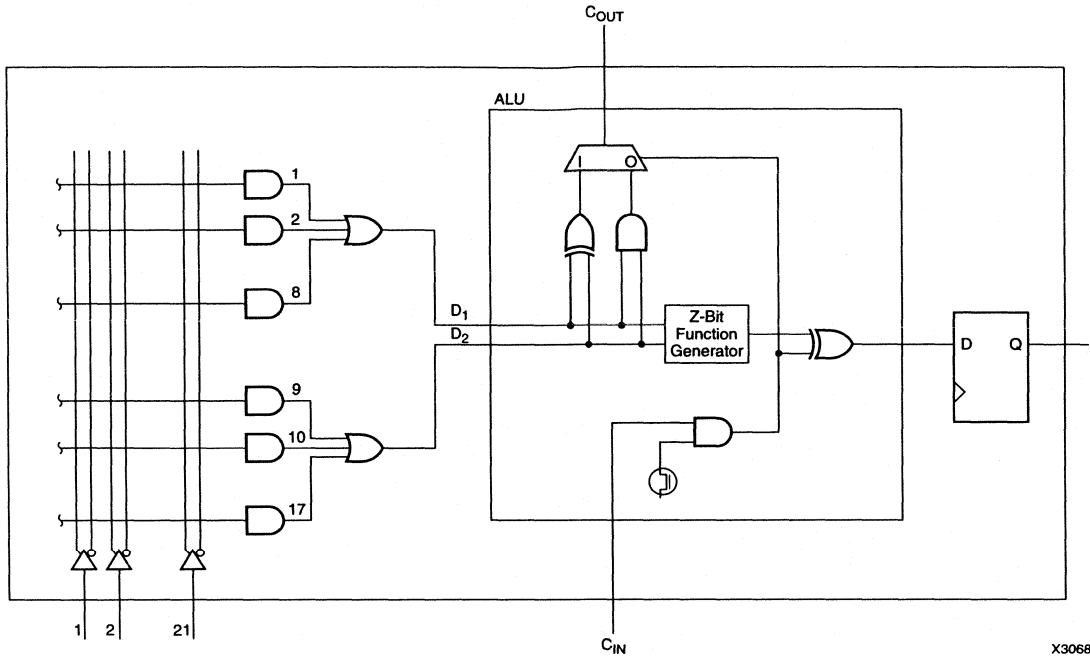
The Laplacian operator is particularly appealing since all the coefficients are binary powers. Consequently, the multiplications can be replaced by shifts, which greatly simplifies the operation and increases throughput.

The process is repeated with the coefficient matrix centered over each pixel in turn, until new values have been obtained for each pixel in the image. Effectively, the operator differentiates the image. There is an increase in magnitude and a sign change in the vicinity of an edge, and in areas where there is no edge, the output is zero. After convolution, the data is scaled by a factor of 9, negative values are rectified, and background information is discarded.

## XC7200 Dedicated Carry Logic

XC7200-series Macrocells contain dedicated, hard-wired carry logic that accelerates and condenses arithmetic functions such as adders and accumulators. Macrocells are organized into Function Blocks, each containing nine Macrocells. The dedicated logic propagates carries between adjacent Macrocells and adjacent Function Blocks. This feature makes it possible to develop fast, wide arithmetic functions. Adders can achieve ripple-carry delays as low as 1.0 ns per bit.

A detailed schematic diagram of the Macrocell dedicated carry logic is shown in Figure 2. The arithmetic logic unit (ALU) is a 2-bit function generator that can be programmed to generate any Boolean function of the  $D_1$  and



X3068

Figure 2. Macrocell With Detailed Carry Logic

$D_2$  inputs. Combined with the carry input ( $C_{IN}$ ) signal from the lower Macrocell, the ALU can generate either the arithmetic sum or difference of two operands, and the carry output ( $C_{OUT}$ ) to the next higher Macrocell.

**Operating Description**

**Image Convolution**

Complete images can be processed at high speeds using a pipelined algorithm that exploits the architectural features of the XC7200/XC7300 EPLD family. The complete Laplacian edge-enhancement filter design is shown in Figure 3.

Image data is input line-by-line. Two shift registers, each one line long, delay the incoming data such that corresponding pixels from each three consecutive lines are available simultaneously. The EPLD stores three consecutive pixels from each line in three shift registers, thus making available a 3 x 3 array of pixels.

These nine pixels are selected in turn as the input to the accumulator. A second multiplexer at the input to the accumulator performs the trivial multiplications. Pixels to be multiplied by eight are shifted three places towards the most significant bit (MSB); pixels to be multiplied by -1 are inverted and a carry forced into the accumulator completes the subtraction.

A 1-bit slice of the Multiplier-Accumulator is shown in Figure 4.

**Filter Performance**

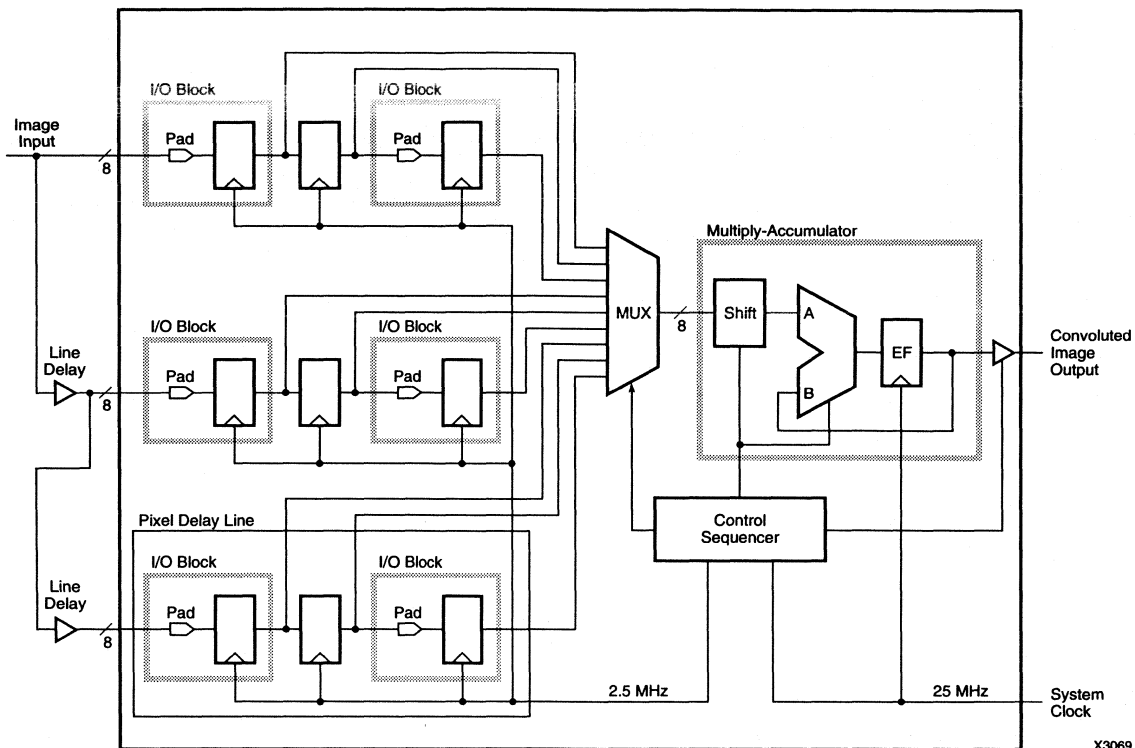
As with any EPLD design, performance can be estimated with complete accuracy prior to implementation. The data throughput rate is limited by the propagation delay of the carry chain from the least significant bit (LSB) input to the MSB output for the multiply-accumulate function. For the Laplacian filter design implemented in an XC7272-25 with 8-bit pixels, the maximum propagation delay is approximately the following.

$$t_{PD} = 25 + 15 \text{ ns}$$

This gives an accumulation rate of 25 MHz, and a convolution output rate of 2.5 MHz. For a 512 x 512 image (262,144 pixels), the convolution time for one frame is 104 ms, which is equivalent to 9.6 fps. Higher speed image convolutions can be achieved by using multiple pipelined accumulators and summing the output data. In a fully pipelined design, the same 512 x 512 image can have a convolution time of 10 ms and a frame rate of 100 Hz.

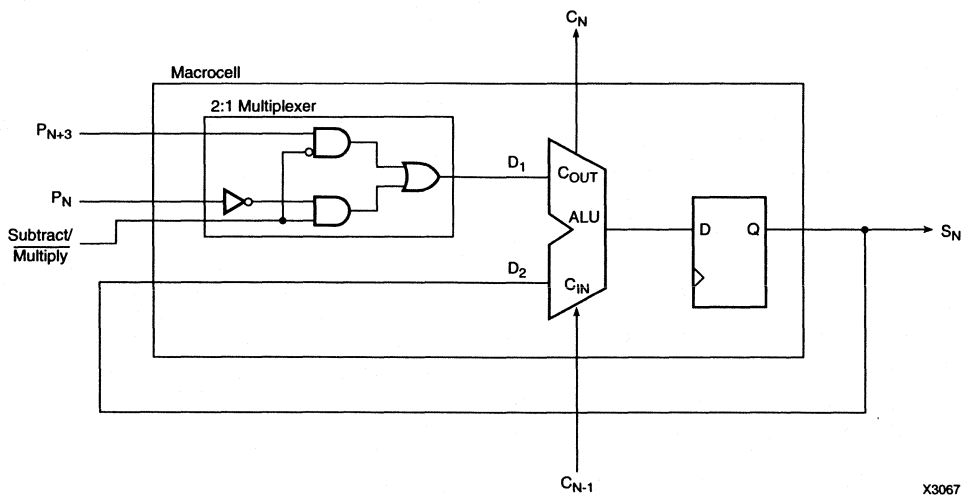
**References**

1. Louis J. Galbati, Jr., Machine Vision and Digital Image Processing Fundamentals, Englewood Cliffs: Prentice Hall, 1990.



X3069

Figure 3. Laplacian Edge-Enhancement Filter



X3067

Figure 4. Bit-Slice of the Multiply-Accumulator

- 1 Programmable Logic Devices**
- 2 FPGA Product Descriptions and Specifications**
- 3 EPLD Product Descriptions and Specifications**
- 4 Packages and Thermal Characteristics**
- 5 Quality, Testing and Reliability**
- 6 Technical Support**
- 7 Development Systems**
- 8 Applications**

---

**9 *The Best of XCELL***

- 10 Index, Sales Offices**
-

Readback Clarified .....	9-2
The Secret of "Tie" .....	9-3
The Tilde De-Mystified .....	9-3
Configuring LCAs in Parallel .....	9-4
IOB Options, I/O Clocking; Unused Pins .....	9-4
Don't Overshoot or Undershoot .....	9-5
Function Generator Avoids Glitches .....	9-5
Worst-Case Input Set-Up Time .....	9-6
Set-Up and Hold Times .....	9-7
Double the Clock Frequency .....	9-7
Rube Goldberg and the Art of LCA Design .....	9-8
The Effect of Marginal Vcc .....	9-9
Ground Bounce .....	9-10
Three-State vs Output Enable .....	9-10
Powerdown Operation .....	9-11
Input Current Is Zero .....	9-11
Don't Pre-Assign Package Pins .....	9-11
CCLK Max Low Time .....	9-11
Just Say No to Asynchronous Design .....	9-12
Internal Bus Contention .....	9-14
Loadable Shift Register with Clock Enable .....	9-14
Design Security .....	9-15
Powerdown Pin .....	9-15
Magnitude Comparator .....	9-16
LCA Drives Liquid Crystal .....	9-16
Comparator, Accumulator .....	9-17
Sine Wave Generator .....	9-18
Volatility .....	9-19
Excessive Idle Power .....	9-20
270-MHz Presettable Counter in XC3000 .....	9-20
Don't Drive Mode Pins .....	9-22
Faster Multiplexers in XC3000 .....	9-22
LCA Output Characteristics .....	9-23
LFSR Counters .....	9-24
Master & Slave Configure Together .....	9-24
Legal Protection .....	9-25
High Speed $\pm 3$ Counter in One CLB .....	9-25
Anatomy of the EPLD Architecture .....	9-26
Dynamic Power Consumption .....	9-27
PC-Board Design Hints .....	9-28
Crystal Oscillator Considerations .....	9-30
Two's Complementer .....	9-32

---



# XCELL

*The Best of*

THE NEWSLETTER FOR XILINX PROGRAMMABLE LOGIC USERS

Issues 1 through 9

1989 to 1993

## 1992 Was a Good Year

**X**CELL is a quarterly newsletter, sent free-of-charge to all active Xilinx users. The purpose is to inform our customers about device and software availability, about new technical developments, about design methodology, problems and workarounds, about additional electrical parameters not covered in the Data Book, about clever circuits and tutorial topics, and about simple solutions to perplexing problems.

The idea is to bring up-to-date information to our customers and make it easier to design with Xilinx devices and development systems.

To add your name and address to the XCELL mailing list, call Kathleen Pizzo at:  
(408) 879-5377 or fax her at  
(408) 559-7114.

Peter Alfke, Editor

Xilinx sales increased from \$130M in calendar 1991 to \$163 M in 1992, maintaining a solid position as the largest manufacturer of all types of CMOS Programmable Logic, well ahead of AMD and Altera. We introduced new products at an ever increasing pace. In 1992, we doubled our product offerings without counting speed and package options:

We started 1992 with 16 different devices, and we ended 1992 with 32 different devices.

We expect to double the breadth of our product offering again in 1993; in the first four months of 1993 we have already introduced seven new devices.

Programmable Logic is no longer a niche product line used for prototyping. Prices have come down, speed and density have increased, and our customers appreciate the advantages of a shorter development cycle and faster time-to-market more than ever.

Programmable logic is, therefore, now being used in volume production. That, in turn, puts pressure on Xilinx to reduce cost and prices, and to increase performance and density even more.

One result of this pressure is product diversification. One product family, or even one technology, cannot possibly cover all bases. No single product family can simultaneously be best in cost, speed, and density for all applications.

The future will see a greater diversity of programmable logic device architectures and technologies. Different families will address different issues. Some will emphasize low cost and high density, sacrificing speed. Some families will be ultra-fast, but more expensive. The world is already familiar with the difference between the register-rich FPGA architecture, and the more structured and predictable EPLD architecture. Expect additional architectures and technologies to address different application areas, and expect Xilinx to remain the leader in this innovation.

Programmable logic has become a significant, and fast growing part of the electronics industry. Xilinx is totally dedicated to Programmable Logic, in any practical architecture and technology. XCELL will keep you informed about new developments.

PA

### Number of Available Device Types

Family	JAN'92	JAN'93	APR'93
XC2000	2	2	4
XC3000	5	5	7
XC3100	-	6	6
XC4000	3	8	10
XC7200	0	2	3
XC17000	2	3	3
HardWire	4	6	6
<b>Total</b>	<b>16</b>	<b>32</b>	<b>39</b>

# XC3000 Readback Clarified

The ability to read back configuration data, as well as data stored in flip-flops and latches, is crucial for the exhaustive device testing performed by Xilinx on every device before it leaves the factory.

Most of our customers have no need for this feature, but a few use Readback to verify that the configuration is still proper. This makes sense in applications that require uninterrupted operation, e.g. in telecom where the device may be configured once and then operates for months or years without ever being reconfigured.

To those few engineers who really need the readback feature, we apologize for the user-unfriendly interface and the sometimes sketchy documentation.

Here are some important considerations.

Use Readback only when necessary. Less than 1% of all LCA applications use it.

Readback does not interfere with normal LCA operation, but the flip-flop data being read back will be almost impossible to interpret unless the LCA device suspends its clocked operation during Readback.

Readback cannot be daisy chained. Even when the devices were configured in a daisy-chain, they must be read back individually.

Readback data comes out inverted, a configuration 1 becomes a readback 0, and vice versa.

Readback data contains variable flip-flop or latch data in most of the locations that were left unused during configuration. If you want to compare readback data against the configuration file, you must disregard (mask out) these locations as shown below.

Readback has no Preamble, and no second or third stop bit at the end of each frame.

The first frame starts with two dummy zeros instead of the single start bit (1) preceding every other frame. Remember, everything is inverted: Readback start bits are ones, stop bits are zeros.

Before the device is being configured, Readback must be enabled by the MakeBits menu.

0 means never,  
1 means once, and  
Cmd means on command.

Readback is initiated by a rising edge on M0. Rising edges on the CCLK input then clock out the Readback data, using the M1 pin as an output. The first rising edge of CCLK does nothing. The second and third rising edges clock out the two leading dummy zeros. The fourth and subsequent rising edges of CCLK clock out frame information, interspersed with a single 0 for stop at the end of each frame, followed by a single 1 for the start of the following frame. After the last frame stop bit has been clocked out, the M1 pin goes 3-state and further CCLK pulses are ignored.

## Verifying Configuration Bitstream

In order to verify the integrity of the LCA configuration, you must compare the Readback bitstream against the configuration bit stream in all those positions not masked out by a 0 in the Mask bitstream.

Configuration bitstream and Mask bitstream have a common format, both are created from the MakeBits menu. Since the Readback bitstream format is different, as described above, you must adjust the formats before verification.

**Either:** Pad the Readback bitstream with preamble, two additional stop bits, and change the two dummy bits preceding the first frame to a normal start bit,

**Or, better:** Strip the Configuration and Mask bitstreams of the preamble, delete two of the three stop bits and create the two dummy bits at the beginning of the first frame. Always remember that Configuration and Readback have opposite polarity.

After the three bitstreams have been normalized you can perform the verification.

**There is an error when (Readback = Configuration AND Mask) = 1.**

PA

For XC4000 Readback details, see the applications section of our 1993 Databook.

---

## Park CCLK High

Remember that the CCLK pin of XC2000 and XC3000 devices must not be held Low for more than 5  $\mu$ s. Dynamic circuitry inside the LCA can reach an unknown state when capacitors lose charge during excessive CCLK Low time, especially at high temperature, when leakage current is high.

If CCLK is held Low after configuration, a subsequent Readback may not function properly, reading back wrong information. Make sure that CCLK has been parked High for several milliseconds before the beginning of Readback.

TCW

## The Secret of "Tie"

Before generating the configuration bit stream, the user has the option to tie or not tie the design. To "tie" means to create additional interconnects that terminate all floating transistor inputs or metal interconnects to well-defined levels or signals.

In a tied design, all inputs and interconnects are always High or Low, or are connected to a signal that switches between defined levels. In a non-tied design, the unused inputs and pieces of interconnect (there usually are more unused ones than used ones) are left floating. This poses no first-order problem, since these inputs are really not used. In this respect, it differs from the well-known problem of floating TTL inputs that are supposed to generate a High level.

The problem with undefined input levels in CMOS logic is that they may drift to the midpoint between Vcc and ground, half turning on both the pull-down and pull-up transistor, making a CMOS gate draw measurable Icc. Also, such undefined inputs may be affected by crosstalk from adjacent lines, thus increasing dynamic power consumption.

An untied design is likely to have increased dc and ac power consumption and increased on-chip noise. That's a good enough reason to spend the extra effort to tie every design.

To tie a design, select the -T option in the XDM MakeBits menu.

## The Tilde De-Mystified

Timing values given by XACT or APR are sometimes preceded by the symbol ~, called Tilde by its Spanish name, but really meaning "approximately". How should the user interpret this symbol?

All non-tilde timing values given by XACT or APR are carefully simulated, modeled, and measured worst-case values, guaranteed over the range of processing tolerances and temperature and supply-voltage variations. The user can have confidence that no device will ever exceed these values.

The tilde is a disclaimer. It means that the delay is generated by so many concatenated resistor (or pass-transistor)-capacitor elements, that our design and test engineers have less confidence in the accuracy of the model and the repeatability of the timing value. Xilinx cannot guarantee it as an absolute worst-case value.

The number following the tilde is still a conservative specification; most likely the parameter in question is better than this value. But there is not the same guarantee as there is with non-tilde values. What is the user to do?

If a "tilde-value" is critical to your design, you have two choices:

1. Change the lay-out or routing such that the long uncertain delay is broken up into two "non-tilde" values, either by

passing the net through a BIDI or through an unused CLB, or by dividing the net into two branches.

2. Add 25% to the value and ignore the tilde, making the reasonable assumption that this factor 1.25 compensates for the modeling uncertainty.

XC2064 and XC2018 ACLK delay values, though below 10 ns, are sometimes preceded by a tilde. You can safely ignore the tilde in these cases.

There has been a misleading explanation that the tilde indicates propagation delay differences between the rising and the falling edge of a signal. This is not true. Different from original 2.0μ technology XC2000 parts, all newer technology devices, and especially the XC3000 family parts, have their delays finely balanced.

Our designers have painstakingly adjusted n-channel and p-channel geometries to achieve driving impedances and threshold voltages that guarantee virtually identical propagation delays for rising and falling transitions.

Maybe we have been overly pessimistic and caused unjustified concern with the tilde. But we prefer to be cautious and make a distinction between worst-case guaranteed values and intelligent, albeit conservative, estimates.

PA

# Configuring Devices in Parallel

In the special case where several LCA devices contain identical configuration data, they can be configured simultaneously to reduce program size and configuration time. When the program is stored in a Serial PROM, just make one LCA device the Master, all others the Slave, interconnect all CCLKs, and drive all DINs in parallel from the Serial PROM.

There are no timing problems. Between the 666 ns cycle time and the 400 ns access plus 60 ns set-up time, there are over 200 ns available for additional delay. This accommodates at least 250 pF of additional capacitive loading. The 1 MHz max specification in the Data Book only applies to READBACK; during configuration CCLK can be up to 1.5 MHz.

# IOB Options

Our Data Book describes the operation of the XC3000 IOBs and their configuration options. This description is not complete: The activation of the passive pull-up is really coupled with the Three-State Enable, giving the following four choices:

- Passive pull-up activated, output buffer permanently three-stated (pin is input only, with pull-up).
- Passive pull-up de-activated, output buffer permanently three-stated (pin is input only, no pull-up).
- Passive pull-up de-activated, output buffer active, i.e. three-state control permanently de-activated (pin is output only).
- Passive pull-up de-activated,

output buffer controlled by three-state control signal (pin can be I/O).

In other words:

The passive pull-up can only be used on pure inputs, not on I/O pins. The three-state control logic can be permanently disabled, resulting in a permanently active output. The other four options.

OUT INVERT,  
THREE-STATE INVERT  
OUTPUT SELECT  
SLEW RATE

are not interdependent; they operate as described.

The XC4000 output pull-up and pull-down resistors do not have this limitation. They can be used with active outputs.

# Unused Pins

Xilinx Programmable Gate Arrays come with an abundance of user I/O pins, from 58 on the XC2064 to 144 on the XC3090. Many applications leave a few, or even many, of these pins unused, but even unused pins need some attention.

Modern CMOS devices have extremely low input-leakage current, perhaps only a few nanoamps. (The 10 $\mu$ A guaranteed specification represents a testing limitation, not a real input current.)

Left disconnected, such an input could therefore float to any voltage. Clamp diodes prevent excursions above the supply voltage and below ground, thus protecting the input gate from destructive breakdown voltages. This leaves the problem of inputs

floating uncontrolled between Vcc and ground.

An input voltage close to the threshold value 1.2V for TTL level-compatibility, 2.5V for CMOS level-compatibility will turn the input buffer partially on, thus creating a static current path from Vcc to ground and causing static power dissipation. Such a biased buffer also acts as a fairly high gain amplifier, making the circuit very susceptible to noise, crosstalk, ground-bounce and other undesirable disturbances.

It is, therefore, advisable to force unused inputs to a proper logic level.

## XC2064 and XC2018

1. Leave unconfigured; externally connect to a High or Low level.

2. Configure as active output driven by an internally defined signal.

## XC3000 and XC4000

Same as above, or

3. Configure as input with internal passive pull-up.

## Putting unused I/O to use

An unused XC3000 series IOB can be used as part of the on-chip logic, e.g. as a shift register. Note that the associated package pin must be left free, and that the speed is not as high as it is with internal flip-flops.

Multiple I/O pins can also be used to perform the "wired AND" function in conjunction with an external pull-up resistor.

# Don't Overshoot or Undershoot

Our 1992 Data Book explicitly forbids input voltage excursions more than 0.5 V outside the supply voltages (below ground, above Vcc). Hardly anybody would try to violate this with a static voltage or current, but many designs show PC-board reflections that sometimes exceed these rather tight limits. A better explanation of the problem is therefore in order.

All CMOS I/O pins are clamped against Vcc and against ground through diodes formed by the respective output transistors. Pure inputs have equivalent protection diodes. These diodes prevent any excessive voltage on the gate of the associated input transistor. Without such protection the input gate might accidentally get charged to a voltage that can rupture the gate oxide and thus destroy the input transistor. All

modern MOS devices have such input protection.

What happens when the input voltage exceeds the specified limits?

Below -0.5 V, the ground clamp diode will start conducting, above Vcc + 0.5 V the Vcc clamp diode will start conducting. These diodes are fairly big and will clamp hundreds of milliamps with a voltage drop of less than 2 V. The problem is that this clamp current can stray into an area of the circuit where it might upset the internal logic. There is no hard data to quantify this concern, but our circuit designers feel uncomfortable about undefined currents of long duration in parts of the circuit that were not designed for that purpose.

Very high clamp currents (more than 100 mA at elevated

temperature, more than 300 mA at room temperature) lasting for milliseconds can cause the parasitic bipolar input transistors to be triggered like an SCR, which then conducts unlimited Icc and thus destroys the device. Xilinx devices are extremely resistant to this latch-up.

## Conclusion

Try to limit overshoot and undershoot to 0.5 V, the data sheet limit. If these values are exceeded, the clamp diodes will protect the inputs and limit the voltage swing. Large clamp currents of millisecond duration must be avoided at all costs, e.g. by adding current limiting series resistors.

Never drive inputs with active levels above Vcc, even when the Vcc supply is turned off. Strange things might happen during turn-on.

# Function Generator Avoids Glitches

The combinatorial logic in all CLBs is implemented as a function generator in the form of a multiplexer, built out of transfer gates. The logic inputs form the select inputs to this multiplexer, while the configuration bits drive the data inputs to the multiplexer.

The Xilinx circuit designers were very careful to achieve a balanced design with similar (almost equal) propagation delays from the various select inputs to the data output.

The delay from the data inputs to the output is, of course, immaterial, since the data inputs do not change dynamically. They are only affected by configuration.

This balanced design minimizes the duration of possible decoding glitches when more than one select input changes. Note that there can never be a decoding glitch when only one select input changes. Even a non-overlapping decoder cannot generate a glitch problem, since the node capacitance will retain the previous logic level until the new transfer gate is activated about a nanosecond later.

When more than one input changes "simultaneously," the user should analyze the logic output for any possible intermediate code. If any such code permutation produces a different result, the user must assume that such a glitch

might occur and must make the system design immune to it. The glitch might be only a few nanoseconds long, but that is long enough to upset an asynchronous design.

**If none of the possible address sequences produces a different result, the user can be sure that there will be no glitch.**

The designer of synchronous systems generally doesn't worry about such glitches, since synchronous designs are fundamentally immune to glitches on all signals except clocks or direct SET/RESET inputs.

# Worst-Case Input Set-Up Time

Timing parameters in programmable devices are more difficult to specify than in fixed-program devices, because the user can affect some parameters through routing.

Inside the LCA, a synchronous design is easy to analyze, because hold time is not an issue, since clock skew is much shorter than the minimum clock-to-Q delay of any CLB. The only concern is for performance: Is the sum of propagation delay and set-up time less than the clock period?

The set-up time at the LCA input is more complex, since the clock delay from the clock pad to the internal clock cannot be ignored.

The data sheet specifies the IOB set-up time with respect to its clock (not with respect to the clock pad!). The unavoidable delay from clock pad to internal clock must obviously be subtracted from the specified set-up time, to arrive at the system set-up time.

What is the maximum value for the input set-up time, and what is its minimum value? Is there a risk for a hold-time requirement?

## Maximum Set-up Time

The longest input pad set-up time, the one that determines system performance, is the specified longest IOB flip-flop set-up time minus the shortest clock delay that is consistent with such a long setup time.

**The question is:**

**How well do such delays track**

Here is one unrealistic assumption:

*"All delays track perfectly. In a given part, at any given temperature and supply voltage, the ratio of any actual parameter value to its specified worst-case value is the same constant."*

If this were true, the max set-up time would simply be the difference of the two specified max values for flip-flop set-up time and clock delay.

Here is another unrealistic assumption: "There is no delay tracking. Any parameter can vary between its max and min value, independent of all other parameters."

If this were true, the max system set-up time would be the difference between the specified max flip-flop set-up time and the minimum clock delay, whatever small value that might be.

**Both these assumptions are wrong.**

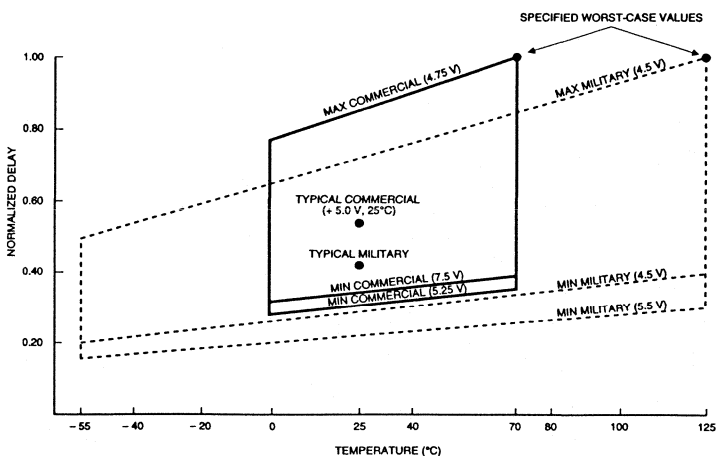
The circuits being evaluated reside on one piece of silicon. They were processed together, and they have a common temperature and supply voltage. All delay parameters will, therefore, track reasonably well. But since all parameters do not necessarily depend on the

same physical phenomena (resistance, capacitance, threshold voltage etc.) in the same way, they will not track perfectly.

**We make the assumption that tracking in any one device will be better than 70%.**

All ratios of actual delay to specified worst-case delay for all parameters on the same device at any instant will be within a two-to-one range.

- If one delay is close to the specified max value, then all the others will be between 70% and 100% of their respective max values.
- If the relatively slowest parameter is at 50% of its specified max value, then all the other parameters will be between 35% and 70% of their respective max values, etc. (The user should feel safe with this conservative assumption. In reality, parameters track much better than this.)



X1045

The longest set-up time is, therefore, the specified max IOB flip-flop set-up time minus 70% of the specified max clock delay.

Example:

XC3020-100 using CMOS compatible TCLK input:

$$T_s \text{ max} = 17 \text{ ns} - 0.7 \cdot 7 \text{ ns} = 12.1 \text{ ns}$$

### Minimum Set-Up Time and Possible Hold Time Requirement

The shortest possible set-up time is the minimum IOB set-up time minus the longest value for the clock delay that is consistent with such a short set-up time.

The minimum value for the flip-flop set-up time is not specified, since it is not readily testable. A very conservative guess puts it as short as 10% of the specified max. value. This can only occur at low temperature and high Vcc.

In line with the previous discussion about tracking, the maximum clock delay might then be as long as 14% of its specified max value.

Example:

XC3020-100 using CMOS compatible TCLK input:

$$T_{s \text{ min}} = 0.1 \cdot 17 \text{ ns} - 0.14 \cdot 7 \text{ ns} = 0.7 \text{ ns}$$

This means that the data-to-clock set-up time window on the LCA inputs (pads) is always somewhere between 12.1 ns and 0.7 ns. This is a wide range, but the value is always positive.

There is no hold time requirement. Data may change simultaneously with the clock, provided the clock drives the CMOS-compatible LCA input and uses the Global or Alternate clock distribution network.

PA

## Set-Up and Hold Times

Set-up time describes the requirement for valid input data prior to the clock edge.

Hold time describes the requirement for valid input data after the active clock edge.

Any particular flip-flop at a particular temperature and supply voltage clocks in the data that happens to be at its input during an extremely narrow picosecond timing window. (If data changes during this narrow window, the flip-flop goes metastable). The width of this window is constant, but its position varies, depending on processing, temperature and Vcc.

The longest set-up time describes the earliest possible position for this window; the longest hold time describes its latest possible position. If no hold time is specified, the set-up time will always be positive, i.e. the window will always be before the clock edge.

These critical set-up and hold time values are often listed in the min column of the data sheet, conforming to an ill-conceived convention established in early 7400 data sheets.

Enlightened people have argued for decades that these are really max limits of device parameters, but it has become senseless to fight over form when (hopefully) everybody agrees on the meaning.

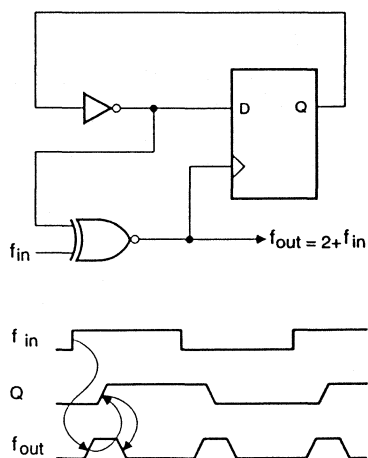
## Double the Clock Frequency

A 50% duty cycle input can be doubled in frequency, provided the resulting 2-f clock can tolerate a wide variation in duty cycle. The circuit below generates an output pulse in response to each transition on the input.

The output rising edge is delayed one  $T_{\text{ILO}}$  from either input transition. The output High time is the sum of a clock-to-Q delay plus two  $T_{\text{ILO}}$  delays, about 25 ns in a fast part. This output pulse will clock other flip-flops on the same die reliably. (At low temperature and high Vcc the pulse will be shorter, but the flip-flop response is also faster under these conditions.)

This asynchronous circuit is frowned upon by all true digital designers. It should only be used as a tool of last resort.

PA



X1312

# Rube Goldberg and the Art of LCA Design

Xilinx FPGA devices bring gate-array capability to the large number of logic designers who cannot afford the cost, risk, and delay of a masked gate array, but still want to design their own LSI circuits. More new gate array designs are presently being implemented with Xilinx FPGAs than with all other gate-array technologies combined. We love this wide acceptance of our technology, but we are also concerned about the sometimes marginal and even bad logic designs that are being implemented in our parts.

There are exciting arguments that make Xilinx FPGAs your favorite choice:

*"Build your design in parts, try it out, and modify it if it doesn't work!"*

*"Fix your mistake before your boss ever sees it!"*

*"Respond easily to demands created by the market or your competition!"*

*"Convert an idea you had in the shower to a working chip the same day!"*

These are perfectly valid statements, but they do not guarantee design quality. In fact they might actually tempt the designer to be less thorough in the original approach. "Why perform a careful analysis when I can try it out so easily?"

This attitude can lead to bad design methods and unreliable products. Here are some words of advice, based on over 30 years of systems and logic design experience, and exposure to a few hundred LCA designs over the past two years:

- Always start off with a top down design. Look at the big picture before you implement the details. Draw a block diagram, step back, and see if you can simplify it by combining functions.
- Trade off complexity against speed. LCA circuitry is quite fast. If your clock runs much slower than 10 MHz, investigate whether you might perform the function time-multiplexed or serially.
- When you design slow logic, don't get careless. The circuitry doesn't know about your low speed; it can still react to nanosecond decoding spikes on the clock or asynchronous reset lines, and might be sensitive to 10ns clock skew problems.
- Be extremely careful with asynchronous inputs. Whenever two asynchronous signals are combined, always (ALWAYS!) perform a thorough worst-case analysis of what happens under the most extreme phase relationships between those inputs. Use the combination of two asynchronous signals to affect only one flip-flop, either to clock it, to reset it, or to synchronize the two signals. One flip-flop will either react or not react to a marginal signal; but several flip-flops might disagree and may cause your system to crash. Remember, according to Murphy's Law, if something bad can happen, it will happen, and usually at the most inappropriate moment.
- Never use a decoder to clock or reset a flip-flop or latch asynchronously. Uncontrollable decoding spikes may cause unpredictable behavior that may be temperature-, voltage- or lot dependent. A classical example: Using the Terminal Count output from a 74161 as a clock is an invitation to disaster.
- Be aware of the metastability problem, but don't be paranoid about it. Read about it in the Application section of our Data Book. It shows that an extra 10 ns of tolerable propagation delay can reduce the metastability problem to statistical insignificance.
- Use the global clock distribution network which eliminates all clock skew problems. If you have to distribute a clock signal through general-purpose interconnect and "magic boxes" to several flip flops, always check for clock-skew problems, even if your design is otherwise not time-critical. There usually is an easy cure: Run the clock delays in a direction opposite to the data flow. Clock the most significant part of a counter early, the less significant part later, and all clock skew problems disappear.
- If you have used non synchronous logic tricks, analyze them very carefully. Check for potential problems with faster parts. Evaluate your design in the fastest LCA that you can buy (presently the -100), to check for potential future problems. There are also two simple ways to change the delay in LCAs mounted on your board: just vary the temperature or the supply voltage: Heat



# The Effect of Marginal Supply Voltage

makes CMOS slow, cold makes it fast; low Vcc makes CMOS slow, high Vcc makes it fast.

If your design fails at high temperature or low Vcc, then you are just pushing performance and are running into problems with excessive propagation delays. You might want to improve the routing or use a faster part.

If, however, your design fails at low temperature and / or high Vcc, you have reasons to worry. Take a deep breath and analyze your design for asynchronous abnormalities and for clock skew problems. If you don't fix these problems immediately, they will bite you in the future. CMOS processes are constantly being improved and shrunk. Circuits will get faster, and what was an innocent glitch in a slow part may jeopardize your system in the future.

Logic design is both an art and a science. There are elegant designs and there are kludges; there are rugged designs and there are flimsy contraptions that will inevitably fail sooner or later.

Standard LSI circuits are crafted by experienced logic designers who know what's at stake, are aware of the possible pitfalls and know how to avoid them. And, they simulate their designs and take the time to get it right.

**Programmable gate arrays give the user full responsibility for every aspect of the logic design. We hope that the user community is up to this challenge.**

*The cartoonist Reuben Lucius Goldberg (1883-1970) was known for his whimsical drawings of ludicrously intricate machinery meant to perform simple tasks.*

PA

Since Xilinx LCA devices store their configuration in static latches, some users have asked about the integrity of the configuration program under abnormal supply voltage conditions.

Here is a complete description of XC3000 and XC4000 device behavior during supply ramp-up and ramp-down.

When Vcc is first applied and is still below about 3 V, the device wakes up in the pre-initialization mode. HDC is High;  $\overline{\text{INIT}}$ ,  $\overline{\text{LDC}}$  and  $\overline{\text{D/P}}$  are Low, and all other outputs are 3-stated with a weak pull-up resistor.

When Vcc has risen to a value above ~3 V, and a 1 and a 0 have been successfully written into two special cells in the configuration memory, the initialization power on time delay is started. This delay compensates for differences in Vcc detect threshold and internal CCLK oscillator frequency between different devices in a daisy chain. The initialization delay counts clock periods of an on-chip oscillator (CCLK) which has a 3:1 frequency range depending on processing, voltage and temperature. Time-out, therefore, takes between 11 and 33 ms for a slave device, four times longer for a master device.

This factor of four makes sure that even the fastest master will always take longer than any slave. We assume that the worst-case difference between 33 ms and 4 x 11 ms is enough to compensate for the Vcc rise time spent between threshold differences (max 2 V) of devices in a daisy chain. Only in

cases of very slow Vcc rise time (>25 ms), must the user hold  $\overline{\text{RESET}}$  Low until Vcc has reached a proper level.

After the end of the initialization time-out, each device clears its configuration memory in a fraction of a millisecond, then tests for inactive  $\overline{\text{RESET}}$ , stores the MODE inputs and starts the configuration process, as described in the DataBook. After the device is configured, Vcc may dip to about 3.5 V without any significant consequences beyond an increase in delays (circuit speed is proportional to Vcc), and a reduction in output drive. If Vcc drops into the 3-V range, it triggers a sensor that forces the device back to the pre-initialization mode described above. All flip-flops are reset, HDC goes High;  $\overline{\text{INIT}}$ ,  $\overline{\text{LDC}}$  and  $\overline{\text{D/P}}$  go Low, and all other outputs are 3-stated with a weak resistive pull-up. If Vcc dips substantially lower, the active outputs become weaker, but the device stays in this pre-initialization mode. When Vcc rises again, a normal configuration process is initiated, as described above.

The user need not be concerned about power supply dips: The XC3000/XC4000 device stays configured for small dips, and is "smart enough" to reconfigure itself (if it is a master) or to ask for reconfiguration by pulling  $\overline{\text{INIT}}$  and  $\overline{\text{D/P}}$  Low (if it is a slave). The device will not lock up; the user can initiate re-configuration at any time just by pulling  $\overline{\text{D/P}}$  Low or, if  $\overline{\text{D/P}}$  is Low, by forcing a High-to-Low transition on  $\overline{\text{RESET}}$ .

## Ground Bounce

Activating or changing a large number of output pins simultaneously can lead to voltage spikes on the ground and Vcc levels inside the chip. The output current causes a voltage drop in the supply distribution metalization on the chip, in the bonding wires and the lead frame. Worse is the inductive voltage drop caused by the current change over the bonding wire inductance.

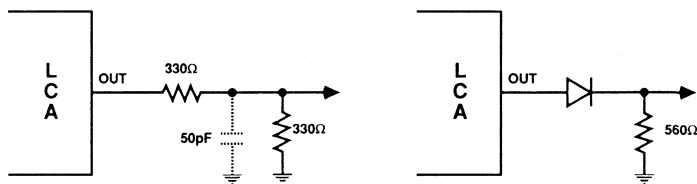
This is a well-known problem not only with fast bipolar or CMOS interface devices, but also with high pin-count gate arrays. It is commonly referred to as "ground bounce", because the change in ground potential is more critical than the equivalent change in Vcc potential. (TTL-oriented systems have far less noise immunity at the Low level than at the High level).

Xilinx circuit designers have given the LCA devices a very good Vcc and ground distribution metal grid on the chip, as well as double

bonding to every supply pin. Packages below 100 pins have two Vcc and ground pin pairs, packages above 100 pins have eight Vcc and ground pin pairs to reduce supply lead resistance and inductance. What can the user do to minimize ground bounce?

- Provide solid Vcc and ground levels. Use multi-layer boards and decoupling. *Wire-wrapping the supply connections is an invitation to disaster.*
- Absolutely always connect all Vcc and ground pins.
- Configure outputs XC3000 slew-limited whenever the required performance allows this. This is the default option. Slew-limited outputs reduce transient amplitude by 75%.
- Use CMOS input levels whenever possible. This increases input noise immunity from less than 1 V to over 2 V.

- Stagger the activation or the change of output drivers by deliberately introduced unequal routing delays.
- Move trouble-causing outputs close to a package ground pin in order to minimize the device internal voltage drop. Move sensitive inputs, like clocks, close to another package ground pin.
- Finally, if there still is a ground bounce problem on a few outputs, attenuate and/or filter these outputs. A 50% attenuator (330 $\Omega$ , 330 $\Omega$ ) perhaps combined with a 50 pF decoupling of the center point will reduce  $V_{OL}$  and calm it down. Changing the upper resistor to a diode might improve the situation even more.



## Three-State vs Output Enable

The control input that causes an IOB output or Longline driver to go into the high impedance state is called (active High) "Three-State" in Xilinx literature and in XACT. The same signal is commonly known as (active Low) Output Enable or  $\overline{OE}$ .

These two signals are identical, i.e.  $T = \overline{OE}$ , as explicitly stated in our Data Book.

To put it more bluntly: T is not an active High Output Enable, rather it is identical with an active Low OE.

"Tri-state" is a registered trademark of National Semiconductor who pioneered this concept on TTL outputs in the late sixties. The names "Three-state" or "3-State" are ways around this trademark. The name refers to the third state of an output, beyond active High and active Low.

## Powerdown Operation

A Low level on the  $\overline{\text{PWRDWN}}$  input, while  $V_{cc}$  remains higher than 3 V, stops all internal activity, thus reducing  $I_{cc}$  to a very low level:

- All internal pull-ups (on Long lines as well as on the I/O pads) are turned off.
- All package outputs are three stated.
- All package inputs ignore the actual input level and present a 1 (High) to the internal logic.
- All internal flip-flops or latches are permanently reset.
- The internal configuration is retained.
- When  $\overline{\text{PWRDWN}}$  is returned High, after  $V_{cc}$  is at its nominal value, the device returns to operation with the same sequence of buffer enable and D/P as at the completion of configuration.

### Things to Remember

Powerdown retains the configuration, but loses all data stored in the device. Powerdown three-states all outputs and ignores all

inputs. No clock signal will be recognized. Any input level between ground and the actual  $V_{cc}$  is allowed. All internal flip-flops and latches are permanently reset and all inputs are interpreted as High, but the internal combinatorial logic is fully functional.

### Things to Watch Out for

Make sure that the combination of all inputs High and all internal Qs Low in your design will not generate internal oscillations or create permanent bus contention by activating internal bus drivers with conflicting data onto the same long line. These two situations are farfetched, but they are possible and will result in increased power consumption. It is quite easy to simulate these conditions since all inputs are stable and the internal logic is entirely combinatorial, unless latches have been made out of function generators. Make sure that no applied signal tries to pull any input more positive than the actual supply voltage ( $V_{cc}$ ). This would feed  $V_{cc}$  through the input protection clamp diode.

## Input Current is Zero

Some designers keep asking about input current. Let us state bluntly:

The input current is negligible, just nanoamps, if

- The output sharing the same pin is three-stated,
- The internal pull-up option is not activated,
- The device is not in configuration mode where many pins have internal pull-ups.
- $V_{cc}$  is above 4V.
- $0 \leq V_{IN} \leq V_{cc}$

If you ever observe our inputs hogging the drive voltage, you must have done something wrong. Make sure you counted the pin number right—and in the right direction, that you configured the device properly, and that  $V_{cc}$  is up. Then use an oscilloscope and multimeter, but please don't use the phone. Our inputs don't draw any current worth talking about, typically < 100 nA!

PA

## Don't Pre-Assign Package Pins

In theory, FPGAs offer the system designer the option to preassign the package pins and lay out the PC board before completing the detailed design of the IC.

This method works well when the FPGA is sparsely populated and, therefore, has the additional routing resources to accommodate an imposed pinout.

For typical designs this method does not work well. We have seen many cases where the FPGA could not be routed with

the imposed pin-out, but could be routed once the pin-out was left free. This leads to daughter board unscramblers or to a relay out of the PC board, headaches and expenses that the user would like to avoid.

So, as a rule, wait with the pin-out assignment until the LCA device has been routed. The exception to this rule are very sparsely populated designs or designs with very limited I/O.

## XC2000/XC3000 CCLK Low Time

Most of the circuitry in our devices is static, i.e. the chip will work down to zero clock frequency.

CCLK is the exception. Its circuitry is half-static, half-dynamic and does not tolerate a Low time in excess of 5  $\mu\text{s}$ . For very low speed operation, you can stretch the CCLK High time to any desired value, but keep the Low time short.

XC4000 does not have this restriction.

# Just Say NO to Asynchronous Design

Synchronous designs are safer than asynchronous designs, more predictable, easier to simulate and to debug. Asynchronous design methods may ruin your project, your career and your health, but some designers still insist on creating that seemingly simple, fast little asynchronous circuit.

Twenty years ago, TTL-MSI circuits made synchronous design attractive and affordable; fifteen years ago, synchronous microprocessors took over many hardware designs; more recently, synchronous State Machines have become very popular, but some designers still feel the itch to play asynchronous tricks.

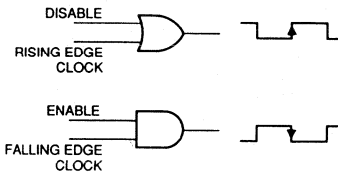
The recent popularity of ASICs has created a new flurry of asynchronous designs in a specially treacherous environment: Gate Arrays and Programmable Gate Arrays are being customized at the gate level, and may tempt the designer to develop bad asynchronous habits, especially dangerous since it is very difficult to inspect internal nodes, and impossible to calm them down with capacitive loads, the BandAid of simpler technologies.

Here is a short description of the ugly pitfalls in asynchronous design, documented for the benefit of the inexperienced designer. Veterans are familiar with the problems and may even know their way around them to design safe asynchronous circuits.

## Clock Gating

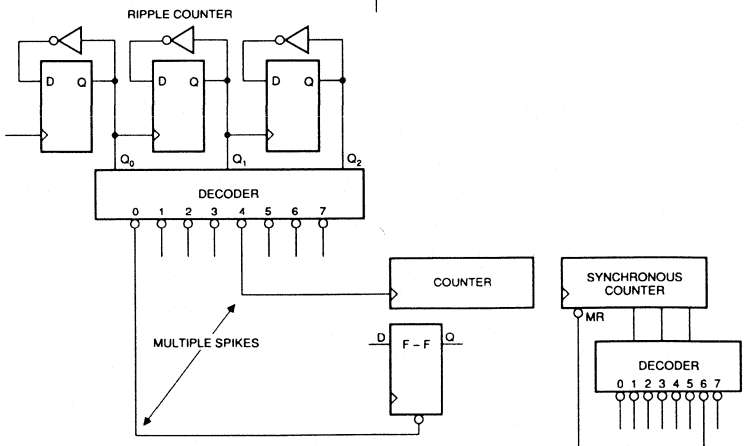
Gating a clock signal with an asynchronous enable or multiplex signal is an invitation to disaster. It will occasionally create clock pulses of marginal width, and will sometimes move the clock edge. A synchronous signal can be used to

gate the clock reliably, as shown below, but this still introduces an additional clock delay, which can cause hold time problems.

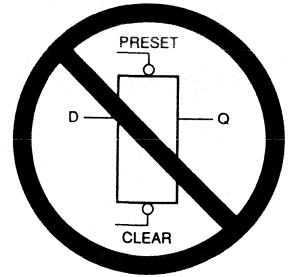


## Reliable Synchronous Clock Gating Ripple Counters

Using the output of one flip-flop to clock its neighbor can generate a binary counter of arbitrary length. The problem occurs when the counter increments from  $2^n - 1$  to  $2^n$ . It takes  $n$  delays from the incoming clock to the resulting change in bit  $n$ . In a 16-bit counter, this delay will be longer than 100 ns. At a 10 MHz clock rate, certain codes will never exist, the LSB will have changed before the MSB reached its new value. Decoding such a counter will produce dangerous decoding spikes. Note that these spikes are independent of the incoming clock rate. Designers of slow systems are actually most vulnerable to this problem, since they are less sensitive to delicate timing issues.



Unreliable Use of Decoders



## Decoder Driving Clocks and Reset Inputs

Indiscriminate use of decoder outputs to clock flip-flops or set/reset them asynchronously is one way to invite unpredictable and unreliable operation. The decoded outputs from synchronous counters are even more devious. While the decoding spikes from ripple counters are fairly wide and somewhat predictable, decoding spikes from synchronous counters are entirely the result of small but unpredictable differences in routing and decoding delays.

Using the decoded Terminal Count as asynchronous Master Reset input is another popular method to achieve unreliable operation. The spike might reset some flip-flops, but not all.

## Synchronizing One Input in Several Flip-Flops

A single asynchronous input should be synchronized in only one flip-flop. There will be an occasional extra metastable delay as described in the Applications section of our Data Book. This extra delay is acceptable in all but the very fastest systems. Synchronizing one input in more than one flip-flop is another matter. The set-up times and input routing delays of the various flip-flops will inevitably differ by one or several nanoseconds. Any input change occurring during this time difference will be clocked differently into the individual flip-flops, and the error will last for a full clock period. Synchronize any input with only one single flip-flop!

## Synchronizing Multiple Inputs in One Register

Synchronizing an asynchronous parallel data word can lead to wrong results when the asynchronous inputs change during the register set-up time. For the duration of one clock period the register might then contain any imaginable mixture of old and new bit values. There is no simple solution, the most popular is to pipeline the result and compare the previous and present values. Any difference declares the data invalid. This operation is sometimes performed in software.

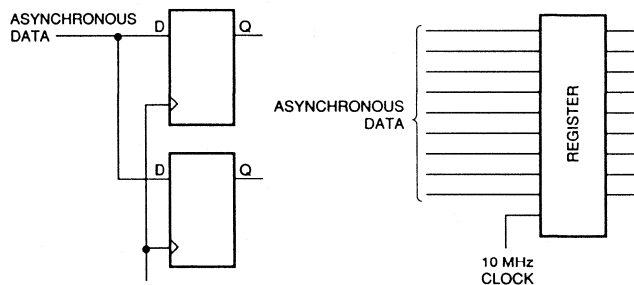
## Asynchronous Reset of Multiple Circuits

A simple RC combination, perhaps augmented by a diode, is a popular power-on reset circuit. When it is used to drive several ICs in parallel, the system must accept wide variations in the reset duration. Differences in input threshold voltage will cause some circuits to start operating while others are still being held reset. If that is unacceptable, the RC combination must drive only one IC which, in turn, controls the reset operation of all others.

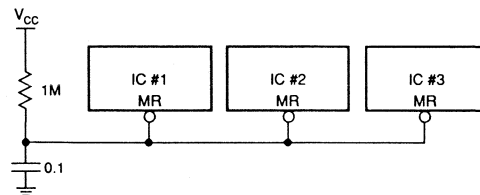
PA

## Dot Your T's!

Schematic capture packages have an obsession about details. Some of them insist that a connecting dot be put on every T-joint, even on a connection to a bus. So, even if you think that it's redundant or ugly, put in the dots. It saves you from strange problems later on. One day in the future, we'll have true Artificial Intelligence, and computers will become our servants, not our masters. Until then, dot your T's!



**Dangerous Methods of Synchronizing Asynchronous Inputs**



**Asynchronous Reset of Multiple Circuits**

# Internal Bus Contention

The XC3000 and XC4000 families have internal 3-state bus drivers (TBUFs). As in any other bus design, such bus drivers must be enabled carefully in order to avoid, or at least minimize, bus contention. (Bus contention means that one driver tries to drive the bus High while a second driver tries to drive it Low).

Since the potential overlap of the enable signals is lay-out dependent, bus contention is the responsibility of the LCA user. We can only supply the following information:

While two internal buffers drive conflicting data, they create

a current path of typically 6 mA. This current is tolerable, but should not last indefinitely, since it exceeds our (conservative) current density rules. A continuous contention could, after thousands of hours, lead to metal migration problems.

In a typical system, 10 ns of internal bus contention at 5 MHz would just result in a slight increase in  $I_{cc}$ .

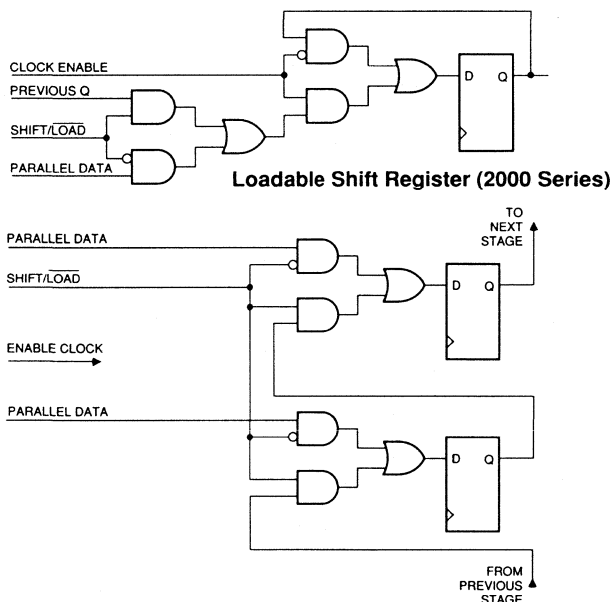
$$16 \text{ bits} \times 6 \text{ mA} \times 10 \text{ ns} \times 5 \text{ MHz} \times 50\% \text{ probability} = 2.5 \text{ mA.}$$

There is a special use of the 3-state control input: When it is di-

rectly driven by the same signal that drives the data input of the buffer, (i.e. when D and T are effectively tied together, the 3-state buffer becomes an "open collector" driver. Multiple drivers of this type can be used to implement the "wired-AND" function, using resistive pull-up.

In this situation there cannot be any contention, since the 3-state control input is designed to be slow in activating and fast in deactivating the driver.

Connecting D to ground is an obvious alternative, but may be more difficult to route. PA



## Loadable Shift Register with Clock Enable

The 2000 Series CLB primitive shown below is a building block for a shift register with synchronous load and clock enable, or for a bidirectional shift register with clock enable but without parallel load. The 3000 Series CLB primitive shown below is a 2-bit building block for a shift register with synchronous load and clock enable, or for a bidirectional shift register with clock enable but without parallel load.

## Design Security

Some Xilinx customers are concerned about design security. How can they prevent their designs from being copied or reverse-engineered?

We must distinguish between two very different situations:

1. The design contains the configuration data in a serial or parallel EPROM or in a microprocessor's memory. This is the normal case.
  2. The design does not permanently store a source of configuration, data. After the LCA was configured, the EPROM or other source was removed from the system, and configuration is kept alive in the LCA through battery-back-up.
1. In the first case, it is obviously very easy to make an identical copy of the design by copying the configuration data, the devices, and their interconnect patterns. Deleting the part-identifying markings on the top of the ICs would make the copying slightly more difficult, but the main defense is legal. The bitstream is easily protected by copyright laws that have proven to be more successfully enforced than the intellectual property rights of circuit designs.

While it is easy to make an identical copy of the design, (clearly violating the copyright) it is virtually impossible to use the bitstream in order to understand the design or make modifications to it. Xilinx keeps the interpretation of the bitstream a closely guarded secret. Reverse-engineering an

LCA would require an enormously tedious analysis of each individual configuration bit, which would still only generate an XACT view of the LCA, not a usable schematic.

- The combination of copyright protection and the almost unsurmountable difficulty of creating a design variation for the intended function provides good LCA design security. The recent successes of small companies in reverse-engineering microprocessor support circuits show that a non-programmed device can actually be more vulnerable than an LCA.
2. If the design does not contain the source of configuration data, but relies on battery-back-up of the LCA configuration, then there is no conceivable way of copying this design. Opening up the package and probing thousands of latches in undocumented positions to read out their data without ever disturbing the configuration is impossible.

This mode of operation offers the ultimate design security.

PA

## Nanowatts, Not Microwatts

LCA power consumption in the powerdown state has been somewhat of a mystery. The data book hints at nanowatts, but the published specifications only guarantee milliwatts.

We tested a representative sample of parts and found the powerdown current at room temperature and 5 V mostly below 50 nanoamps. This value is reduced in half at 2.5 V, but doubles for every 10 °C increase in temperature.

This is good news for battery-back-up. Even the tiniest lithium battery can power an LCA device for years.

Why don't we update our guaranteed specification? One reason is the difficulty of measuring very small currents on a high-speed production tester. Another one is the potential yield loss when this parameter happens to be higher. No reason to scrap a part for a parameter that only a few users are interested in.

PA

## Powerdown Pin Must Be High For Configuration

A Low on the  $\overline{\text{PWRDWN}}$  pin puts the LCA device to sleep with a very low power consumption, typically less than one microwatt. The on-chip oscillator is stopped, and the low-Vcc detector is disabled. During configuration, the  $\overline{\text{PWRDWN}}$  pin must be High, since

configuration uses the internal oscillator. Whenever Vcc goes below 4 V,  $\overline{\text{PWRDWN}}$  must already be Low in order to prevent automatic reconfiguration at low Vcc. For the same reason, Vcc must first be restored to 4 V or more, before  $\overline{\text{PWRDWN}}$  can be made High.

PA

# Magnitude Comparator: Small, Fast, Expandable

A Magnitude comparator is more complex than an identity comparator, but simpler than an adder or subtracter. A magnitude comparator indicates not only when two operands are equal, but also which one is greater if they are unequal. PA

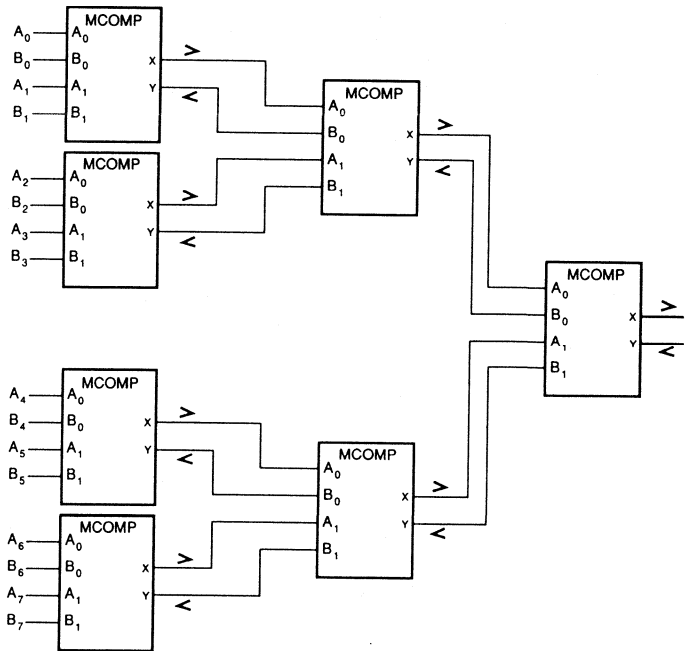
Truth Table

BI	AI	B0	A0	A>B	A<B
0	0	0	0	0	0
0	0	0	1	1	0
0	0	1	0	0	1
0	0	1	1	0	0
0	1	0	0	1	0
0	1	0	1	1	0
0	1	1	0	1	0
0	1	1	1	1	0
1	0	0	0	0	1
1	0	0	1	0	1
1	0	1	0	0	1
1	0	1	1	0	1
1	1	0	0	0	0
1	1	0	1	1	0
1	1	1	0	0	1
1	1	1	1	0	0

This truth table is represented by the following equations:

$$A>B: = A_0 \cdot \bar{B}_0 \cdot (A_1 \text{ XOR } \bar{B}_1) + A_1 \cdot \bar{B}_1$$

$$A<B: = \bar{A}_0 \cdot B_0 \cdot (A_1 \text{ XOR } \bar{B}_1) + \bar{A}_1 \cdot B_1$$



Magnitude Comparator Expands to Any Size

## LCA Drives Liquid Crystal Display Directly

Non-multiplexed Liquid Crystal Displays (LCDs) must be driven with an ac voltage of 30 to 100 Hz and 10 V peak-to-peak amplitude, without any DC component.

Generating this voltage is surprisingly simple in an LCA, using only half a CLB plus one IOB per segment. The back plane of the

display is driven by a low frequency (100 Hz) square wave BP, oscillating between 0 and +5 V, and this signal is also used to control the inverting/non-inverting of Data.

When DOUT is in phase with BP, there is no ac-voltage across the segment, and it looks transparent. When DOUT is in counter-

phase with BP, there is an ac-voltage across the segment, and it appears dark=on.

An additional Light Blanking Input (LBI) can force data to be blank=zero, useful for leading-zero suppression. NJC



# Comparing Data on a Bus

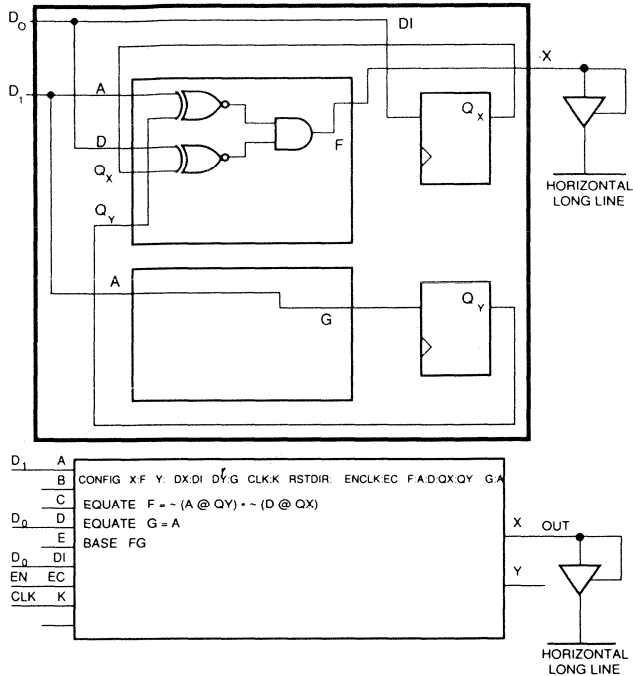
Some systems need to compare variable data on a bus against a value that had previously been loaded from the same bus. Such an identity comparator can store and compare two data bits per CLB, then using a Long Line to AND the result.

When Enable Clock is active, D0 (through .di) is clocked into Qx, while D1 (through .a) is clocked into Qy. D0 is also routed to the .d input.

The F function generator is brought out and drives the T input of a Longline buffer. F is High when the two incoming bits match the registered bits.

$$F = (A \text{ XOR } Qy) \cdot (D \text{ XOR } Qx)$$

PA



# Very Fast Accumulator with Pipelined Carry

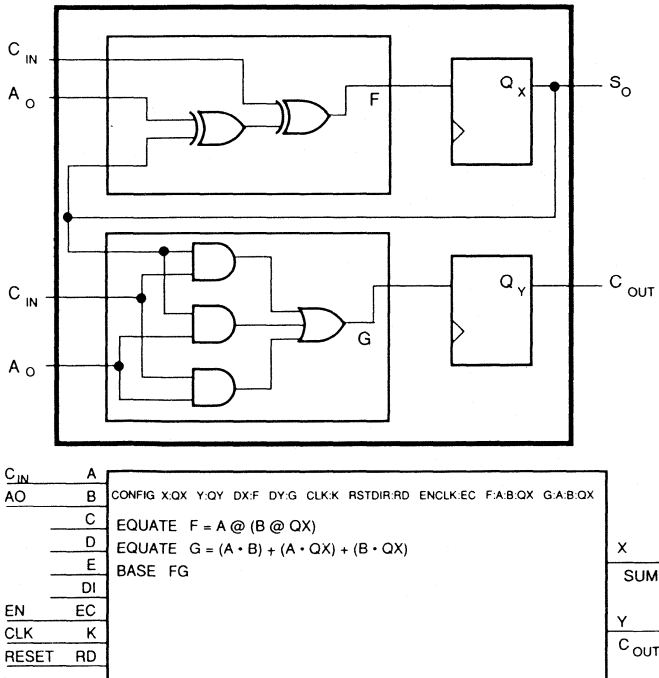
The XC3000 family can implement a very fast (>50MHz) accumulator with pipelined carry.

One CLB per bit stores the sum and the carry in its two flip-flops.

Each clock pulse updates the two flip-flops with the result of the addition of incoming operand plus stored sum.

There is, however, one drawback to this pipelined approach: An n-bit accumulator will need up to n-1 additional clock pulses after the last accumulation in order to flush out the carry flip-flops.

PA



# Programmable Sine Wave Generator

Sine wave frequency synthesizers are used in many applications, like telecom and navigation. A sine wave of programmable frequency can be generated by sequencing through a look-up table in ROM that drives a digital-to-analog converter (DAC).

The simplest and most flexible arrangement uses an accumulator to access the look-up table. (Remember, an accumulator is an adder/register structure that adds an input value to the register content each time it is clocked.) The desired frequency is presented as a constant (K) to the accumulator input. Changing K results in an instantaneous frequency change (as a result of the next clock edge) but no sudden phase change, no "clicks." This is mandatory in modems.

Here is one design example that fits into 30 CLBs, less than half of an XC3020: The objective is to generate any frequency that is an integer multiple of 1 Hz, the highest frequency being around 250 kHz. The sine wave look-up table has 64 entries for a  $2\pi$  ( $360^\circ$ ) period, i.e. a resolution of  $5^\circ$  to  $6^\circ$ . It represents the amplitude as a 9-bit binary word (8 bits plus sign). These are reasonable parameters, but each of them could easily be modified by an order of magnitude without changing the design concept. The look-up table consists of a  $64 \times 8$  ROM (really a  $16 \times 8$  ROM plus XORs on the address inputs and data outputs) addressed by the 6 most significant outputs of the accumulator.

The ratio of max frequency to frequency resolution determines the size of the accumulator; in this case it is  $250 \text{ kHz} + 1\text{Hz} = 250,000$  or 18 bits. That would, however, give only one look-up per period at the top frequency; this design, therefore, adds four bits to the ac-

cumulator in order to guarantee sixteen look-ups even at 250 kHz. The accumulator clock rate is then determined by the frequency resolution (1 Hz) and the accumulator length (22 bits): If the accumulator length (22 bits): If the accumulator increments by one for every clock period, it must step through the whole look-up table once per second. The clock frequency is, therefore,  $2^{22} \text{ Hz} = 4.194304 \text{ MHz}$ .

The four most significant accumulator bits have no data inputs; they can, therefore, be implemented as a counter. The look-up table stores only the first quadrant ( $90^\circ$ ) of a sine wave, the other three quadrants are generated by reversing the address sequence (XORing the addresses) and/or reversing the sign of the output (XORing the outputs).

Better frequency resolution can be achieved by adding stages to the LSB end of the accumulator

(1 CLB for each doubling of the resolution.) Same clock frequency.

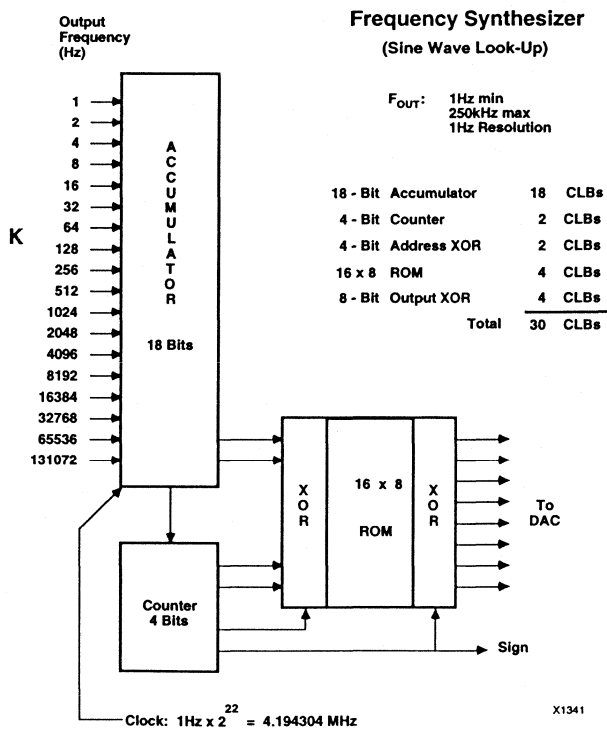
Higher max frequency can be achieved by adding to the MSB end of the accumulator and doubling the clock frequency for every additional bit.

The time granularity of the look-up table can be doubled to 32 entries per quadrant, increasing the table from 4 CLBs to 8.

The amplitude granularity of the look-up table can be changed in either direction by changing the number of look-up table planes.

Obviously, the look-up table can also store other wave shapes and can be reprogrammed dynamically.

These hints should allow any designer to custom tailor a similar frequency synthesizer. PA



## No Can Do

Xilinx LCAs offer a wide range of design options and many system-oriented features. There are, however, some restrictions.

Here are the things you should not even try to do in the XC3000 family:

The on-chip input pull-up resistor cannot be used if the pin is configured as I/O, i.e., if the configuration allows the output to be activated. The resistor cannot be used to pull up a 3-stated output, use an external resistor instead.

Bidirectional buses are limited to the length of one Horizontal Longline. There is no way to interconnect bidirectional buses. There is no pass-transistor between the buses, and two back-to-back amplifiers would latch up.

IOB flip-flops and latches can be reset only by the global RESET package pin that resets every flip-flop and latch on the chip. Clock polarity is determined at the sources of the IOB clock line, not at each individual IOB.

IOB latches driven from the same clock line as a flip-flop have a surprising latch enable polarity: Active Low latch enable if the flip-flop clocks on the rising edge; active High latch enable if the flip-flop clocks on the falling edge. This enable polarity must be specified explicitly to avoid a "fatal DRC error".

The two flip-flops in a CLB cannot have separate clocks, clock enable or asynchronous reset inputs. The global clock distribution network cannot be used for anything else but driving CLB and IOB clock inputs. The alternate clock network, however, has limited access to the general-purpose interconnects.

PA

## Volatility

Xilinx FPGAs use latches to store the data determining logic configuration and interconnects. Configuration information is written into these latches after power has been applied to the device, or whenever a re-configuration is initiated. Obviously, all configuration information is lost if power is interrupted. Some users have voiced concern about this. Here is a detailed explanation.

Configuration information remains valid provided Vcc stays >2.0 V. XC3000 and XC4000 devices, however, have an internal sensor that detects a Vcc drop below a critical value (~3 V). Even though the configuration is valid when that trip point is reached, the device goes into shut-down mode where it 3-states all outputs and clears the configuration memory, preparing it for a re-configuration when Vcc returns to a more normal value.

There is no possibility of a Vcc dip causing the device to malfunction, i.e., to operate with erroneous configuration information.

- If Vcc stays above the trip point, the device functions normally, albeit at reduced speed, like any other CMOS device.
- If Vcc dips below the trip point, the device 3-states all outputs and waits for reconfiguration.

Some users feel uncomfortable with logic and interconnects defined by the content of latches. There is a concern about accidental or spontaneous changes. Xilinx designers have addressed these concerns. The Xilinx configuration storage latches are simple and rugged, far more rugged than the latches used in typical SRAMs.

Xilinx configuration latches consist of cross-coupled inverters

with active pull-down n-channel and active pull-up p-channel transistors. The High and the Low level are thus both defined with active devices, each having an impedance of ~5 k $\Omega$ . Typical SRAMs use passive polysilicon pull-up resistors with an impedance of about 5,000 M $\Omega$ . A current of one nanoamp (!) would be sufficient to upset the typical SRAM cell, whereas it would take a million times more current to upset the Xilinx configuration latch.

This does not mean that SRAMs are unreliable, it just shows that the levels in Xilinx configuration latches are six orders of magnitude more resistant to upsets caused by external events, like cosmic rays or alpha particles. Xilinx has never heard about any occurrence of a spontaneous change in the configuration store in any of the 19 million LCA devices sold over the past eight years.

Xilinx production-tests the Vcc-dip tolerance of all XC3000 devices in the following way.

- After the device is configured, Vcc is reduced to 3.5 V, and then raised back to 5.0 V. Configuration data is then read back and compared against the original configuration bit stream. Any discrepancy results in rejection of the device.
- Subsequently, Vcc is reduced to 1.5 V and then raised to 5.0 V. The device must first go 3-state, then respond with a request for re-configuration.

Both these tests are performed at high temperature (>70°C for commercial parts, >125°C for military). Any part failing any of these tests is rejected as a functional failure.

PA

# 270-MHz Presetable Counter in XC3000

Prescaling is an established technique for high-speed counters. Using a derivative of this technique, LCA devices can implement a presetable counter at the full 270-MHz max toggle rate of the new XC3100-3. These counters can be up to 24-bits long.

In a prescaler counter, a small, very fast counter divides the clock rate. The divided clock is provided

to a large, slower counter that is unable to settle at the fast clock rate. However, even when implemented synchronously, a conventional prescaler counter cannot be loaded; the technique depends upon the predictable binary sequence to ensure that the larger counter has adequate settling time.

If the prescaler counter is loaded with an arbitrary value,

the binary sequence is broken, and the settling time of the larger counter is no longer guaranteed. To ensure an adequate settling time, either the clock frequency must be reduced significantly, or the values that can be loaded must be severely restricted.

To provide presetable prescaler counters, John Nichols of Fairchild Applications introduced a pulse-swallowing technique in 1970. It uses a dual-modulo prescaler that can divide the clock by  $2^n$  or  $2^n+1$ .

Twenty years later, Xilinx developed a variation of the pulse-swallowing technique for use in LCA devices. This technique, called state-skipping, uses a dual modulo prescaler that can divide by  $2^n$  or  $2^n-1$ .

In a state-skipping counter, the prescaler is not loaded. Instead, the least significant bits of the load value are used to initiate a correction counter that controls the modulus of the prescaler. Consequently, the larger counter, that contains the more significant bits, always has at least  $2n-1$  clock periods in which to settle, even after a load.

Typically, the minimum of  $2^n-1$  clock periods between the load and the first clock to the larger counter is longer than is required. To compensate, the prescaler operates with its shorter cycle until any extra delay has been nullified. This compensation is controlled automatically by the correction counter.

For example, in a counter using +7/+8 prescaler, the value loaded might require the first clock to the larger counter occur 5 clock periods after the load. In this case, the minimum 7-clock cycle period of the prescaler delays the first clock to the larger counter by two periods.

## Excessive Idle Power in XC2000

Some users report a quiescent Icc consumption of more than 10 mA in the XC2000 family. This is usually the result of floating input pads, especially unbonded ones, and it can be fixed quite easily.

While the XC3000 and XC4000 devices have default pull-up resistors on all inputs, the XC2000 family lacks this option. Each unused pin or pad must, therefore, be forced to a valid logic level, either by an external connection or resistor, or by using its own output driver. The Makebits Tie option does **not** take care of this, it only ties internal inputs and interconnects to a defined logic level.

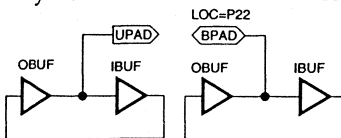
Users tend to overlook the unbonded pads on XC2064 PC44, XC2018 PC44 and XC2018 PC68. These devices have more internal pads than there are package pins available. Some pads are, therefore, left unbonded, but these unbonded inputs must also be forced to a valid logic level. Otherwise they might cause uncontrolled power consumption, and even uncontrolled oscillations. Unused outputs, bonded or not, can be tied from the schematic diagram. To do this, create dummy bidirectional pins using OBUFs, IBUFs, and BPADs or UPADs, as appropriate. Connect the OBUF output directly to IBUF input. This

connection creates a tie circuit that is an input-less latch with no input. After configuration, these tie-circuits attain an unspecified, but well-defined logic level, and remain there, thus preventing the input from floating.

In existing designs, tie-circuits locked to unused pins can be added to the schematic, which is then recompiled using the previous LCA file as a guide. In new designs, an appropriate number of bonded-pin tie circuits included in the schematic will automatically be distributed among the unused bonded pins.

Tie-circuits cannot be locked to specific unbonded pins. However, if the correct number of unbonded tie circuits are included in the schematic, all unbonded pads will be tied. Tie circuits may also be added by editing the LCA design in XDE.

Unused bonded outputs tied in this way are active pins, and cannot, therefore, be used as PCB feedthroughs. However, unused pins required as feedthroughs need not be tied in the LCA device, since they do not float. PA



X3607

To nullify this extra delay, the prescaler continues dividing by 7 for a further two cycles, canceling one clock period of the extra delay each cycle. The third clock to the larger counter occurs 21 periods after the load, which is the same as in a conventional counter ( $5 + 8 + 8 = 21$  clocks). Once the compensation is complete, the prescaler returns to dividing by 8.

Clearly, the counter will operate in a non-binary manner while the correction is being made. During this time, the counter skips a state each cycle of the prescaler, hence the name of the technique. The maximum time to complete the correction is  $2^n - 1$  cycles of the prescaler. A further consequence of state-skipping is that some small division ratios cannot be used, because the correction cannot be completed within the period of the counter. In addition, the load must be synchronized with the prescaler cycle. This happens automatically if the counter is loaded when it reaches TC. This is common practice for timers and dividers, which are excellent application for state-skipping counters. With these exceptions, a state skipping counter may be loaded exactly like a conventional binary counter. There is no need to modify the load value required for any given

divide ratio, as is necessary with a pulse-swallowing counter. One advantage of the state skipping technique that is peculiar to LCA implementation, is that a  $+3/+4$  prescaler can be built in a single CLB. This is the key to the 270-MHz presetable counter, shown in the figure. The counter uses two state-skipping prescalers in cascade. Each is a 2-bit dual-modulo prescaler that divides by 3 or 4, and each has its own correction counter. Only the first prescaler is clocked by the high-speed clock. The maximum clock rate to the remainder of the counter is at least three times slower.

The first prescaler is implemented in a single CLB, and the counter design allows the control inputs several clock cycles to set up. Consequently, the high-speed clock is limited only by the toggle rate of the flip-flops in this CLB. In an XC3100-3 this is 270 MHz.

The remaining counters, including the first correction counter, are all clocked by  $Q_1$ . This synchronous operation permits the correction counters and  $Q_4 - Q_{23}$  to be loaded by Terminal Count in a conventional way.

In each cycle of the second prescaler, only one of the three or four first-prescaler cycles can be a

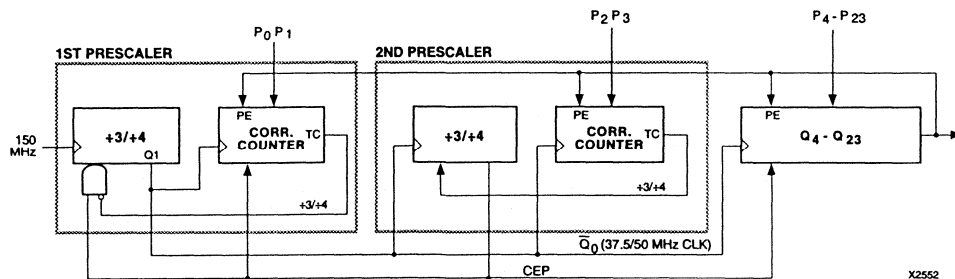
correction cycle. Consequently, the divide ratios of the composite prescaler are limited to 11, 12, 15 and 16, depending on which prescalers are correcting. This gives the  $Q_4 - Q_{23}$  counter at least 11 clock cycles in which to settle, and distribute the parallel enable signal.

Each time a prescaler correction cycle occurs, the corresponding correction counter is decremented. Correction cycles continue while the correction counters are non-zero. When zero is reached in either of the correction counters, the corresponding prescaler ceases correcting, and that correction counter remains at zero until it is reloaded.

Correction can take up to 45 clock periods to complete, and during this time some counter values will be skipped. However, the counter behaves in a conventional binary manner after less than 46 clock cycles. Some divide ratios below 30 cannot be used, since the correction time is greater than the counter period, but all divide ratios of 30 or greater are available.

State-skipping counters are the subject of an upcoming series of Applications Notes. Design files for the 24-bit 270-MHz Presetable Counter are available as XAPP 021.

BN



270-MHz Counter

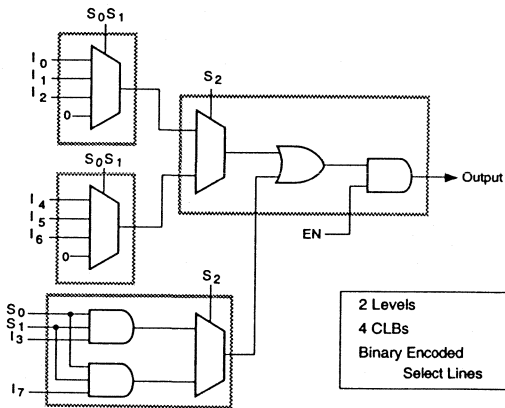
# Don't Drive Mode Pins

We recently debugged a design with unpredictable power-up behavior. The designer had used an Altera EPLD device to control the M0, M1, M2, and PWRDWN pins of an XC3042. (M0 and M1 were used for readback. We don't know why an EPLD powerhog was used to control the LCA power.)

Upon power-up, the EPLD puts uncontrolled signals on its outputs, lasting for up to 100 ms. That's long enough to make the XC3042 configure in the wrong mode, become a master instead of a slave, thus crashing the system. Remember, a Low on PWRDWN causes all inputs, including RESET to be interpreted as High.

Connecting external logic to the mode and PWRDWN inputs of an LCA must be done with care and a thorough understanding of power-up conditions. Xilinx FPGAs have been carefully designed to avoid erroneous output signals during power-up. Other ICs are not necessarily that friendly.

PA



X2549

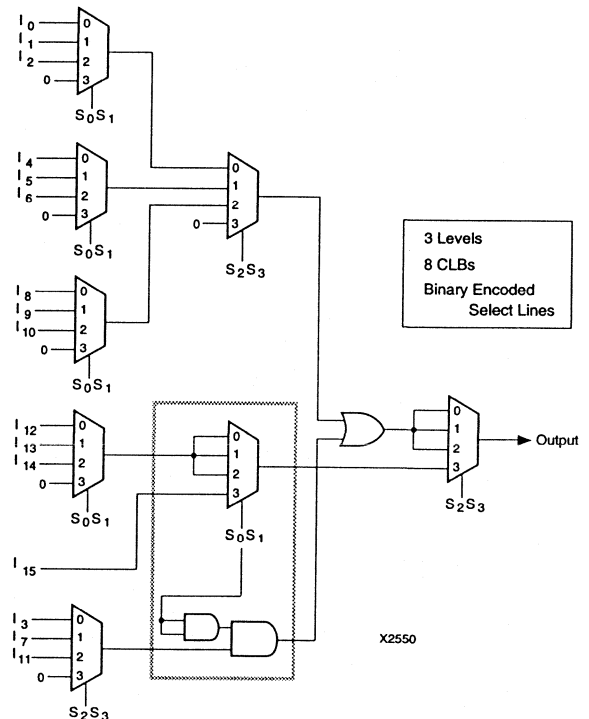
8:1 Multiplexer

# Faster Multiplexers in XC3000

The traditional building block for large multiplexers in XC3000 is a dual 2-input MUX. This building block comprises two functions of three variables, and uses all five inputs to the CLB. A 4-input MUX cannot be constructed in a single CLB since it requires six inputs. Using the dual 2-input MUX, larger multiplexers can be constructed using a conventional select tree approach, with each select bit associated with one CLB level. This results in 8:1 multiplexers that use four CLBs in three levels, and 16:1 multiplexers that use eight CLBs in four levels. However, a 3-input MUX can be implemented in only one CLB. Such 3-input MUXs can implement larger multiplexers that have less delay, while retaining

the binary encoding of the select lines. The 8:1 multiplexer, shown below, also provides an enable input. Again, four CLBs are used, but with only two levels of delay. The enable input permits the multiplexer to be expanded using only one additional level of CLBs. Decoded select lines are used to enable up to five 8:1 multiplexers into an OR gate. In this way, 3-level multiplexers with up to 40 inputs may be constructed. For 16:1 multiplexers, the second design uses eight CLBs, and again has three levels of delay. It also has binary-coded inputs, and uses fewer CLBs than two 8:1 multiplexers with the necessary expansion logic.

BN



X2550

16:1 Multiplexer

# LCA Output Characteristics

Here are the first results of our output characteristics plotting.

Note that one device always represents a whole family, there is no difference between, e.g., XC3142 and XC3190 outputs.

Note that the XC4000 has n-channel-only outputs that do not drive any current above 3.5 V.

When pulling a Low output slightly below Ground, or a High output slightly above Vcc, the out-

put impedance is the same as it is on the other side of Ground and Vcc, i.e., the plot shows a straight line going through Ground and Vcc. ( The current direction changes, of course. )

When the voltage exceeds 0.5 V below Ground or 0.5 V above Vcc, the protective diodes become conductive, and the current increases **dramatically**. That's why we should not specify a max volt-

age excursion, but rather a max current excursion into the forbidden territory below ground and above Vcc.

This is true for all devices. **Even XC4000 outputs have a strong clamp diode against Vcc.** Disregard previous statements to the contrary.

All measurements at 25°C and Vcc=5.00 V

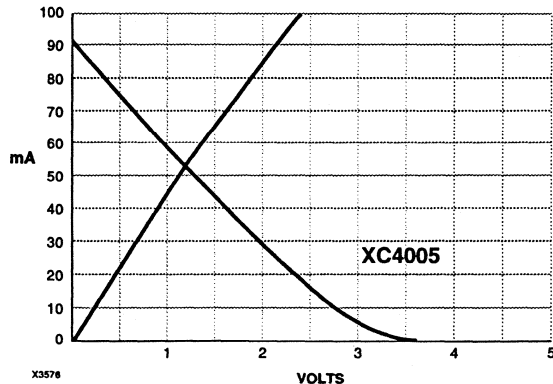
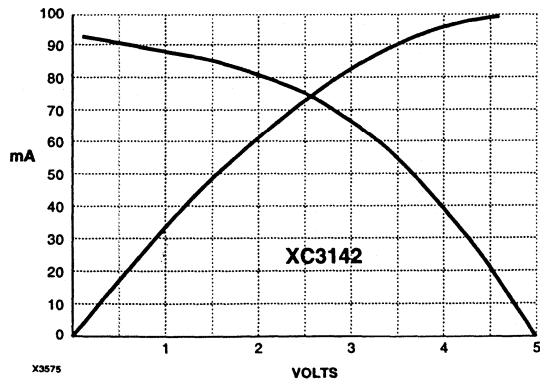
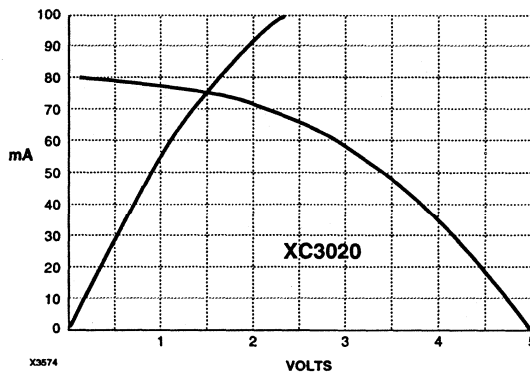
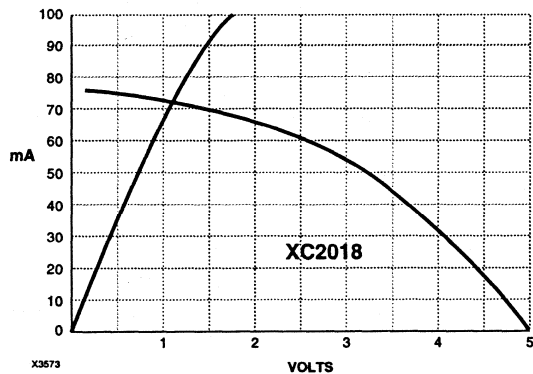
All parts are 1993 production type. PA

Sink Current and Output Low Impedance

Device	1 V	2 V	Impedance
XC2018	70	>100 mA	14 Ω
XC3020	55	100 mA	20 Ω
XC3142	35	63 mA	30 Ω
XC4005	42	85 mA	23 Ω

Source Current and Output High Impedance

4V	3V	2V	Impedance
-30	-52	-65 mA	35 Ω
-35	-60	-75 mA	30 Ω
-35	-60	-73 mA	30 Ω
0	-7	-30 mA	40 Ω



# Linear Feedback Shift Register Counters

Conventional binary counters use complex or wide fan-in logic to generate high end carry signals. A much simpler structure sacrifices the binary count sequence, but achieves very high speed with very simple logic, easily packing two bits into every CLB. Linear Feedback Register (LFSR) counters are also known as pseudo-random sequence generators.

An n-bit LFSR counter can have a maximum sequence length of  $2^n - 1$ . It goes through all possible code permutations except one, which is a lock-up state. A maximum length n-bit LFSR counter consists of an n-bit shift register with an XNOR in the feedback path from the last output  $Q_n$  to the first input  $D_1$ . The XNOR makes the lock-up state the all-ones state; an XOR would make it the all-zeros state. For normal Xilinx applications, all-ones is preferred, since the flip-flops wake up in the all-zeros state.

The table below describes the outputs that must drive the inputs of the XNOR. A multi-input XNOR is also known as an even-parity circuit. Note that the connections described in this table are not necessarily unique. Due to the symmetry of the shift register operation and the XNOR function, other connections may also result in maximum length sequences.

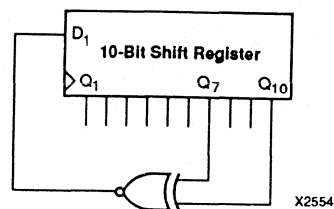
## Examples

- A 10-bit shift register counts modulo 1023, if the input  $D_1$  is driven by the XNOR of  $Q_{10}$  and the bit three positions to the left ( $Q_7$ ), i.e. a one is shifted into  $D_1$  when  $Q_{10}$  and  $Q_7$  have even parity, which means they are identical.

- An 8-bit shift register counts modulo 255 if the input  $D_1$  is driven by the XNOR of  $Q_8$ ,  $Q_6$ ,  $Q_5$ ,  $Q_4$ , i.e., a one is shifted into  $D_1$  if these four outputs have even parity, (four zeros, or two ones, or four ones).

PA

n	XNOR Feedback from Outputs
3	3,2
4	4,3
5	5,3
6	6,5
7	7,6
8	8,6,5,4
9	9,5
10	10,7
11	11,9
12	12,6,4,1
13	13,4,3,1
14	14,5,3,1
15	15,14
16	16,15,13,4
17	17,14
18	18,11
19	19,6,2,1
20	20,17
21	21,19
22	22,21
23	23,18
24	24,23,22,17
25	25,22
26	26,6,2,1
27	27,5,2,1
28	28,25
29	29,27
30	30,6,4,1
31	31,28
32	32,22,2,1
33	33,20
34	34,27,2,1
35	35,33
36	36,25
37	37,5,4,3,2,1
38	38,6,5,1
39	39,35
40	40,5,4,3



X2554

## Master & Slave Configure Together

All LCA users should know that daisy-chained devices automatically finish configuration together, and become active simultaneously. Each device counts all CCLK pulses, and each device has its own identical copy of the common length count value. When the number of CCLK pulses received equals this value, all devices in the daisy chain start up together. After a certain number of CCLK pulses, as determined by configuration options, all DONE pins go High, all RESETs are released, and all outputs go active simultaneously. This CCLK-driven synchronous start-up is automatically performed by the configuration control logic.

This information is not new, we only repeat it here because we got some phone calls that showed unnecessary concern on the part of the user.

PA



# Legal Protection for Configuration Bit-Stream Programs

The bit-stream program loaded into the LCA may qualify as a "computer program" as defined in Section 101, Title 17 of the United States Code, and as such may be protectable under the copyright law. It may also be protectable as a trade secret if it is identified as such. We suggest that a user wishing to claim copyright and/or trade secret protection in the bit-stream program consider taking the following steps.

1. Place an appropriate copyright notice on the LCA device or adjacent to it on the PC board to give notice to third parties of the copyright. For example, because of space limitations, this notice on the LCA device could read "©1992 XYZ Company" or, if on the PC board, could read "Bit Stream © 1992 XYZ Company".
2. File an application to register the copyright claim for the bit-stream program with the U.S. Copyright Office.
3. If practicable, given the size of the PC board, notice should also be given that the user is claiming that the bit-stream program is the user's trade secret. A statement could be added to the PC board such as: "Bit-stream proprietary to XYZ Company. Copying or other use of the bit-stream program except as expressly authorized by XYZ Company is prohibited."
4. To the extent that documentation, data books, or other literature accompanies the LCA device containing the bit-stream program, appropriate wording should be added to this literature providing third parties with

notice of the user's claim of copyright and trade secret in the bit-stream program. For example, this notice could read: "Bit-Stream © 1992 XYZ Company. All rights reserved. The bit-stream program is proprietary to XYZ Company and copying or other use of the bit-stream program except as expressly authorized by XYZ Company is expressly prohibited."

5. To help prove unauthorized copying by a third party, additional non-functional code should be included at the end of the bit-stream program. Therefore, should a third party copy the bit-stream program without proper authorization, if the non-

functional code is present in the copy, the copier cannot claim that the bit-stream program was independently developed.

These are only suggestions and Xilinx makes no representations or warranties with respect to the legal effect or consequences of the above suggestions. Each user is advised to consult legal counsel with respect to seeking protection of the user's bit-stream program and to determine the applicability of these suggestions to the user's products and circumstances.

If the user has any questions, contact the Xilinx legal department at 408-879-4984.

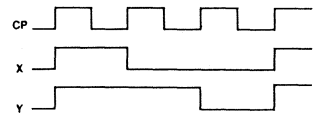
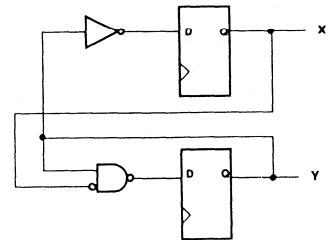
BH

## High Speed ÷3 Counter in One CLB

Some microprocessors require a 2/3 duty cycle clock, most conveniently and reliably generated by dividing a three times faster crystal oscillator frequency by three.

The design described below uses one XC3000 series CLB to generate a 1/3 High duty-cycle signal on the X output, and a 2/3 High duty cycle signal on the Y output. This is just one of many possible implementations. Max clock frequency is 100 MHz in a -125 device.

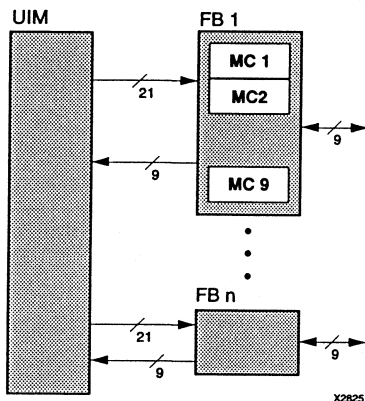
PA



# Anatomy of the EPLD Architecture

## The XC7200 Architecture

The XC7200 devices provide multiple Function Blocks (FBs) interconnected by a central Universal Interconnect Matrix (UIM™). Each FB receives 21 signals from the UIM and produces nine output signals to pins and back into the UIM.



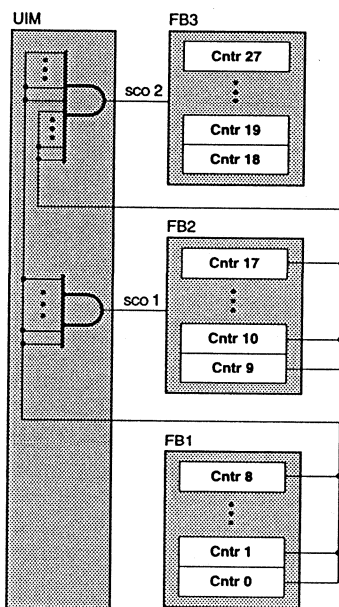
**Simplified XC7200 Architecture (n=4,8,...)**

Within each FB there are nine macrocells, each driven by product terms derived from the 21 UIM inputs. Each macrocell resembles a 21V9 PLD architecture. In addition, each macrocell includes an Arithmetic Logic Unit (ALU) that can generate and propagate arithmetic-carry signals between adjacent macrocells and Functional Blocks.

## Universal Interconnect Matrix

Unlike other interconnect techniques, Xilinx EPLD's Universal Interconnect Matrix (UIM) provides 100% interconnectivity. Any output of any Function Block can be connected to any input or any number of inputs of any other Function Block using the UIM. The patented interconnect scheme of the UIM provides a fast uniform delay through any of its paths. This interconnect is independent

of fan-in or fan-out loading. Because each FB has identical timing characteristics and the UIM has a constant delay, logic mapped into the device has predictable performance, independent of placement and routing. The UIM can also act as one or more AND gates, e.g., to form terminal count signals within the interconnect. The following diagram illustrates how 27 macrocells can be configured to implement a 27-bit synchronous counter.



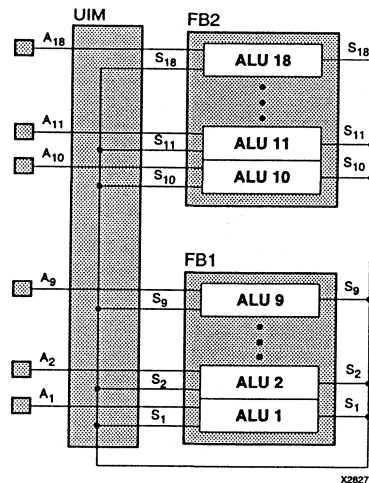
**27-bit Synchronous Counter Implemented Using UIM AND Gates**

Consistent timing performance for all on-chip signals greatly simplifies the design process. In addition to interconnection, the UIM is also used for the following functions:

- Emulating 3-state buses
- Enable/disable signal gates
- Logic decoders
- DeMorgan OR gates

## Arithmetic Logic Unit (ALU)

Unlike other programmable logic arrays, the XC7200 architecture includes dedicated arithmetic logic units and fast carry lines running directly between adjacent macrocells and Function Blocks. This additional ALU enables the XC7200 architecture to support fast adders, subtractors, and magnitude comparators of any length up to 72 bits. The following diagram illustrates how 18 macrocells (2 Function Blocks) can be programmed to implement an 18-bit accumulator.



**18-bit Accumulator Implemented using ALU Chain**

The above architectural features introduce innovative systems-oriented enhancements to the classical features of the PAL-like CPLD architectures. This favors the implementation of fast state machines, large synchronous counters and fast arithmetic, as well as multi-level general-purpose logic.

DR

# Dynamic Power Consumption

It is impossible to give a max value for LCA power consumption, because it is totally dynamic. The power consumption of any node is proportional to its capacitance multiplied by the frequency at which it is charged and discharged between +5V and ground. To determine total power, you must know the capacitance of each node and clock line inside the chip, and the frequency with which it is moving up and down; and, you must know the external capacitive load and its frequency.

A worst-case maximum number would be very high, and therefore meaningless, because nobody designs a system where every node moves at 60 MHz, for example.

Estimating power consumption usually has one of two goals: Thermal reliability evaluation, or power-supply sizing.

Thermal calculations can often be substituted by rough estimates, since CMOS power is so low. We give  $\Theta_{JA}$  values for each package, describing the thermal impedance, i.e. the temperature rise in °C per Watt of power dissipation. Assuming a very conservative max junction temperature of 145°C, a max ambient temperature of 60°C, and a  $\Theta_{JA}$  of 30°C/W gives a max allowable power dissipation of 2.8 W. Very few LCA designs consume that amount of power, most use a few hundred milliwatts, which results in a junction temperature only a few degrees above ambient.

LCA devices are usually not the dominating power consumers in a system, and do not have a big impact on the power supply design. There are, of course, exceptions to these general rules, and the designer should then use the data on this page to estimate power consumption more accurately. PA

Here are the results of recent measurements of the dynamic power consumption in various Xilinx devices.

The Applications section of our Data Book describes the same parameters, but those values were based on 1988 measurements of devices with larger geometries.

## XC2018 at 5.0 V

One CLB driving 3 local interconnects	0.22 mW / MHz
One device output with a 50 pF load	2.0 mW / MHz
One Global clock buffer & line	3.2 mW / MHz

## XC2018 at 3.3 V

One CLB driving 3 local interconnects	0.1 mW = 0.03 mA/MHz
One device output with a 50 pF load	0.8 mW = 0.35 mA/MHz
One Global clock buffer & line	1.0 mW = 0.3 mA/MHz

## XC3020

One CLB driving 3 local interconnects	0.25 mW / MHz
One device output with a 50 pF load	1.25 mW / MHz
One Global clock buffer & line	2.0 mW / MHz
One Longline <u>without driver</u>	0.1 mW / MHz

## XC3020L at 3.3 V

One CLB driving 3 local interconnects	0.1 mW/MHz = 0.03 mA/MHz
One device output with a 50 pF load	0.5 mW/MHz = 0.15 mA/MHz
One Global clock buffer & line	0.8 mW/MHz = 0.25 mA/MHz
One split Longline <u>without driver</u>	0.04 mW/MHz = 0.01 mA/MHz

## XC3090

One CLB driving 3 local interconnects	0.25 mW / MHz
One device output with a 50 pF load	1.25 mW / MHz
One Global clock buffer & line	3.5 mW / MHz
One split Longline <u>without driver</u>	0.15 mW / MHz

## XC4003

One CLB driving 3 local interconnects	0.30 mW / MHz
One device output with a 50 pF load	1.2 mW / MHz
One Global clock buffer & line	1.9 mW / MHz
One split Longline <u>without driver</u>	0.12 mW / MHz

## XC4005

One CLB driving 3 local interconnects	0.30 mW / MHz
One device output with a 50 pF load	1.2 mW / MHz
One Global clock buffer & line	3.2 mW / MHz
One split Longline <u>without driver</u>	0.17 mW / MHz

## XC4010

One CLB driving 3 local interconnects	0.30 mW / MHz
One device output with a 50 pF load	1.2 mW / MHz
One Global clock buffer & line	5.1 mW / MHz
One split Longline <u>without driver</u>	0.24 mW / MHz

# PC-Board Design Hints for LCA Users

Twenty years ago, CMOS was hailed as the friendliest form of logic: no input current, full rail-to-rail logic swing, high noise immunity, soft edges, low power consumption, tolerance for large Vcc variations, etc.

Things have changed. CMOS devices have lost some of their user-friendliness as they have become faster and faster, partly in a deliberate quest for speed, partly as an unavoidable result of the smaller device geometries that are required to lower manufacturing cost. The output edge rate is now faster than for TTL, and PC-board interconnect lines between modern CMOS devices can no longer be treated as short circuits or lumped capacitances. The CMOS

designer must now cope with the same transmission-line effects that concerned the previous generation of designers using Schottky-TTL or ECL devices.

Here are some basic rules.

**Rule 1:** Any PC-board trace is really a transmission line with distributed capacitance and inductance. The series resistance is usually unimportant. The table at left lists typical values for the capacitance and inductance of a PC-board trace with a ground-plane below it.

Any voltage change on such a transmission line causes a corresponding current change. The voltage-to-current ratio is called the characteristic impedance,  $Z_0$ . It is determined by the line thickness and width, by the distance to the ground plane, and by the dielectric constant  $\epsilon$  of the PC-board material.  $Z_0$  is independent of line length. The table shows typical values for popular constellations.

**Rule 2:** Signals travel along a transmission line at roughly half the speed of light, or 6" (15 cm) per nanosecond. More precisely, the true propagation speed is the free-air speed of light divided by the square root of the effective dielectric constant,  $\epsilon$ . The speed of light is very close to 12" (30 cm) per nanosecond, and  $\epsilon$  for typical epoxy material is 4.7. Since some of the electric field passes through air, the effective  $\epsilon$  is closer to 4, which leads to the rule of thumb, "half the speed of light".

**Rule 3:** Whenever the one-way propagation time along a wire or PC trace is longer than half the rise or fall time of the driving signal, this wire or trace must be considered a transmission line, not a lumped capacitive load.

If the rise- or fall-time is 1.5 ns, any PC-board trace longer than 4.5 inches (11cm) must be analyzed for transmission-line effects.

If the rise or fall time is 5 ns, only PC-board traces longer than 15" (38 cm) need to be analyzed for transmission-line effects.

When a fast rising edge is being driven onto a long transmission line, the driver sees the characteristic impedance  $Z_0$  (50 to 150  $\Omega$ ), and generates a voltage step that is determined by the ratio of output impedance,  $R_i$ , to  $Z_0$ . Typically, an LCA device with an output impedance of 60  $\Omega$  drives a 3.5-V step onto a 100- $\Omega$  line.

This step propagates to the end of the line at a speed of 6" (15 cm) per nanosecond. If the far end is left open or has a light capacitive load, e.g., the input to a CMOS device, a reflected wave is superimposed on the incoming wave, since only an equal-amplitude reflected wave satisfies the zero-current requirement at the end of the line. This reflected wave travels back to the signal source, arriving there with almost double the original amplitude, usually well above Vcc. If the output impedance of the driver differs from  $Z_0$ , the incoming wave is again reflected, travels to the far end, where it is reflected again, etc. This series of reflections with decreasing amplitude is commonly called "ringing". Theoretically, these are rectangular steps of alternating and decreasing amplitude, but high-frequency imperfections often give it the appearance of a decaying sine wave.

At best, such reflections result in poor signal quality and loss of noise immunity. At worst, they reduce system performance and cause functional failures due to double clocking.

$Z_0$ ( $\Omega$ )	0.062" Board		0.031" Board	
	Width (mils)	C (pF/ft)	Width (mils)	C (pF/ft)
50	103	35	47	31
60	77	29	35	27
70	57	25	26	23
80	42	22	19	20
90	31	20	14	18
100	23	18	10	16

Imperial units

$Z_0$ ( $\Omega$ )	1.6 mm Board		0.8 mm Board	
	Width (mm)	C (pF/cm)	Width (mm)	C (pF/cm)
50	2.6	1.15	1.2	1.02
60	2.0	0.95	0.9	0.88
70	1.4	0.82	0.65	0.75
80	1.1	0.72	0.5	0.66
90	0.8	0.66	0.35	0.59
100	0.6	0.6	0.25	0.52

Metric units

**Microstrip-Line Impedance and Capacitance per Unit Length**

## Coping with Transmission Line Effects

### Parallel Termination, Figure 2.

A transmission line of arbitrary length can be terminated at the far end by a resistor to ground or Vcc. If this resistor equals the characteristic impedance  $Z_0$ , the driver always sees the transmission line like a lumped resistive load. Any signal driven onto the line travels to the far end and is dissipated in the resistor. There is no reflection, no ringing or overshoot. Unfortunately, this type of termination is usually impractical, because it puts undue current and power requirements on the driver. It requires 100 mA to drive a 5 V signal onto a 50  $\Omega$  line. Only ECL circuits or special buffer circuits can drive terminated transmission lines conveniently. There are two popular methods to alleviate the problem.

- Connecting the terminating resistor through a fairly large capacitor to ground instead of directly to ground or Vcc, reduces static power consumption, but introduces a time constant that must be tailored to the system speed.
- Terminating the line with two resistors, one to ground and one to Vcc, reduces the peak current requirement. 300  $\Omega$  to Vcc and 150  $\Omega$  to ground is the Thevenin equivalent of a 100  $\Omega$  termination to 1.6 V.

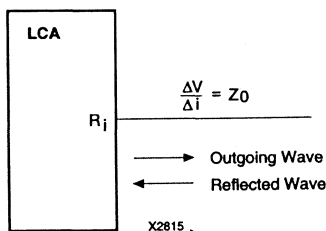


Fig. 1. Transmission Line

### Series Termination, Figure 3.

In some cases, series termination at the source can offer the benefits of termination without the drawbacks mentioned above. When an additional series-resistor between the driver and the line increases the effective drive impedance to the same value as  $Z_0$ , the transmission line receives a starting step of half amplitude. Adding an external 40- $\Omega$  resistor to the 60- $\Omega$  LCA output impedance matches the 100- $\Omega$  transmission line, and drives it with a 2.5-V step. This step travels to the far end, where it is reflected and thus doubled in amplitude, as described above. It then arrives back at the driven end of the line with full amplitude (5 V), and is not reflected, since it sees a terminating resistor that is equal to  $Z_0$ .

This seemingly ideal solution has one big drawback: A half-amplitude voltage step travels along the trace and back. Everywhere along the line, except at the far end, this half-amplitude signal can cause trouble, especially in the vicinity of the driver. Series termination is, therefore, recommended only for signals that go from a **single source to a single destination**. Taps on a series-terminated have half-amplitude (2.5 V) levels for fairly long times, which means poor noise immunity and potential malfunction.

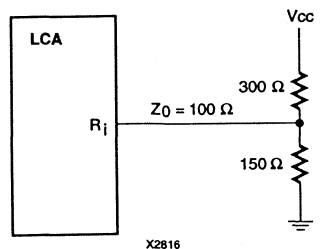


Fig. 2. Parallel Termination

## Practical Rules

- Use slew-rate limited outputs wherever possible. Their longer rise and fall times eliminate transmission line effects for all short interconnects.
- Keep critical interconnects as short as possible. It may be better to duplicate some logic in the LCA device and drive from different sides of the device, if that shortens the PC-board traces.
- Use multi-layer PC boards with ground and Vcc planes whenever possible. Always connect all Vcc and ground pins, and be generous with Vcc decoupling capacitors, 0.1  $\mu$ F per Vcc pin.
- Use series termination for lines that drive a single or lumped destination, but never put taps on a series-terminated line.
- In synchronous systems, the synchronous data and control lines can tolerate poor signal quality **after the clock edge**, but all asynchronous inputs, and especially all clock inputs need good signal quality **all the time**.
- Pay attention to clock distribution on the PC board. Low-skew drivers are now available, e.g., the NSC CGS74C2525.
- CMOS-level input threshold offers the best noise immunity. (Not available on XC4000).
- Remember that a low clock frequency does not make the circuits slow. When the system clock rate is very low, the flip-flops inside the LCA device can still react to 2-ns clock spikes.

PA

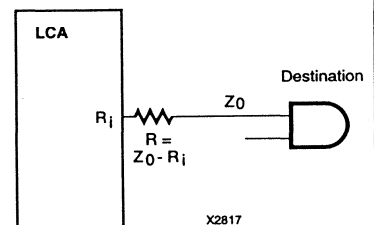


Fig. 3. Series Termination

# Crystal-Oscillator Considerations

There are two reasons why many designers feel uncomfortable using the on-chip LCA crystal oscillator circuit.

- This is analog territory, unfamiliar to many digital designers. Words like reactance, transconductance, gain, dB, phase response,  $j\omega L$  and  $s$ -plane evoke memories of long-forgotten early college classes.
- IC documentation is usually skimpy on the issue of specifying crystals and designing reliable oscillator circuits.

Here is additional information.

Let's start with some fundamental facts. There is nothing Xilinx-specific about the oscillator circuit. It's a wide-band inverting amplifier, as used in all popular microcontrollers, like the 8051. When a crystal and some passive components close the feedback path, as shown in our Data Book, this circuit becomes a reliable and stable clock source.

The path from XTAL2 to XTAL1 inside the LCA device (strangely enough, XTAL2 is the input, XTAL1 is the output) is a single-stage inverting amplifier, which means it has a low-frequency phase response of  $180^\circ$ , increasing by  $45^\circ$  at the 3-dB frequency.

Input impedance is 10-15 pF, input threshold is CMOS, but dc bias must be supplied externally through a megohm resistor from XTAL1 to XTAL2.

Low-frequency gain is about 20, rolling off 3dB at 125 MHz.

Output impedance is between 50 and  $100 \Omega$  and the capacitance on the output pin is 10 to 15 pF.

Pulse response is a delay of about 1.5 ns and a rise/fall time of about 1.5 ns.

For stable oscillation,

- the loop gain must be exactly one, i.e., the internal gain must be matched by external attenuation, and
- the phase shift around the loop must be  $360^\circ$  or an integer multiple thereof. The external network must, therefore, provide  $180^\circ$  of phase shift.

A crystal is a piezoelectric mechanical resonator that can be modeled by a very high-Q series LC circuit with a small resistor representing the energy loss. In parallel with this series-resonant circuit is unavoidable parasitic capacitance inside and outside the crystal package, and usually also discrete capacitors on the board.

The impedance as a function of frequency of this whole array starts as a small capacitor at low frequencies (Figure 1). As the frequency increases, this capacitive reactance decreases rapidly, until it reaches zero at the series resonant frequency.

At slightly higher frequencies, the reactance is inductive, starting with a zero at series resonance, and increasing very rapidly with frequency. It reaches infinity when the effective inductive impedance of the series LC circuit equals the reactance of the parallel capacitor. **The parallel resonance frequency is a fraction of a percent above the series-resonance frequency.**

Over this very narrow frequency range between series and parallel resonance, the crystal impedance is inductive and changes all the way from zero to infinity. The energy loss represented by the series resistor prevents the impedance from actually reaching zero and infinity, but it comes very close.

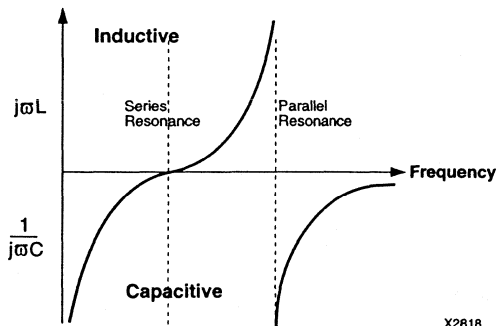


Figure 1. Reactance as a Function of Frequency

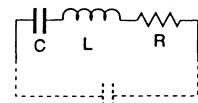


Figure 2. Equivalent Circuit

Microprocessor- and FPGA-based crystal oscillators all operate in this narrow frequency band, where the crystal impedance can be any inductive value. The circuit oscillates at a frequency where the attenuation in the external circuit equals the gain in the LCA device, and where the total phase shift, internal plus external, equals  $360^\circ$ .

Figure 3 explains the function. At the frequency of oscillation, the series-resonant circuit is effectively an inductor, and the two capacitors act as a capacitive voltage divider, with the center-point grounded. This puts a virtual ground somewhere along the inductor and causes the non-driven end of the crystal to be  $180^\circ$  out of phase with the driven end, which is the external phase shift required for oscillation. This circuit is commonly known as a Pierce oscillator.

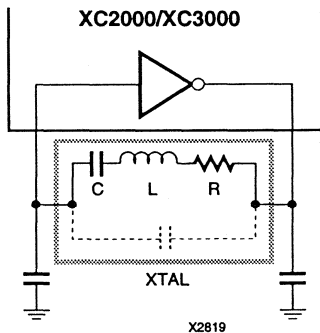


Figure 3. Pierce Oscillator

### Series Resonant or Parallel Resonant?

Crystal manufacturers label some crystals as series-resonant, others as parallel-resonant, but there really is no difference between these two types of crystals, they all operate in the same way. Every crystal has a series resonance, where the impedance of the crystal is extremely low, much lower than at any other frequency. At a slightly higher frequency, the crystal is inductive and in parallel resonance with the unavoidable

### Practical Considerations

- The series resonance resistor is a critical parameter. To assure reliable operation with worst-case crystals, the user should experiment with a discrete series resistor roughly equal to the max internal resistance specified by the crystal vendor. If the circuit tolerates this additional loss, it should operate reliably with a worst-case crystal without the additional resistor.
- The two capacitors affect the frequency of oscillation and the start-up conditions. The series connection of the two capacitors is the effective capacitive load seen by the crystal, usually specified by the crystal vendor.
- The two capacitors also determine the minimum gain required for oscillation. If the capacitors are too small, more gain is needed, and the oscillator may be unstable. If the capacitors are too large, oscillation is stable but the required gain may again be higher. There is an optimum capacitor value, where oscillation is stable, and the required gain is at a minimum. For most crystals, this capacitive load is around 20 pF, i.e., each of the two capacitors should be around 40 pF.

- Crystal dissipation is usually around 1 mW, and thus of no concern. Beware of crystals with "drive-level dependence" of the series resistor. They may not start up. Proper drive level can be checked by varying  $V_{cc}$ . The frequency should increase slightly with an increase in  $V_{cc}$ . A decreasing frequency or unstable amplitude indicate an over-driven crystal. Excessive swing at the XTAL2 input results in clipping near  $V_{cc}$  and ground. An additional 1 to 2 k $\Omega$  series resistor at the XTAL1 output usually cures that distortion problem. It increases the amplifier output impedance and assures additional phase margin, but results in slower start-up.
- Be especially careful when designing an oscillator that must operate near the specified max frequency. The circuit needs excess gain at small signal amplitudes to supply enough energy into the crystal for rapid start-up. High-frequency gain may be marginal, and start-up may be impaired.
- Keep the whole oscillator circuit physically as compact as possible, and provide a single ground connection. Grounding the crystal can is not mandatory but may improve stability.

### Sources

- Fick: "Schwingquarz und Mikroprozessor". *Elektronik*, Feb. 1987
- Horowitz & Hill: *The Art of Electronics*, Cambridge University Press, 1989
- Motorola *High-Speed CMOS Logic Data Book.*, 1983.

PA





- 1 Programmable Logic Devices**
- 2 FPGA Product Descriptions**
- 3 EPLD Product Descriptions**
- 4 Packages and Thermal Characteristics**
- 5 Quality, Testing and Reliability**
- 6 Technical Support**
- 7 Development Systems**
- 8 Applications**
- 9 The Best of XCELL**



## Index, Sales Offices

---

Index .....	10-1
Sales Office Listing .....	10-5

---

ABEL .....	7-2, 7-34	Boundary Scan, Test Access Port .....	8-26, 8-137
ABEL, High-Performance Counter .....	8-62	Boundary Scan, Test Data Register .....	8-27, 8-137
Accumulator .....	9-17, 8-72	Boundary Scan, User Register .....	8-29
Accumulator, Pipelined .....	9-95	Buffers, Clock .....	8-11
Adder .....	8-72, 8-79, 8-90, 8-92	Bulletin Board .....	6-3
Adder, Conditional Sum .....	8-78	Bus .....	2-109
Adder, Look-Ahead Carry .....	8-76	Bus Contention .....	9-14
ALU .....	3-7, 3-44	Capacitive Load .....	8-10
ANDing in the UIM .....	8-34	Carry ( XC4000 ) .....	8-79
App Note Directory .....	8-1	Carry Look-Ahead .....	3-45
App Notes, Arithmetic .....	8-3	CCLK .....	9-2
App Notes, Counters .....	8-1	CCLK Frequency Variation .....	8-13
App Notes, General .....	8-1	Characteristic Impedance .....	9-28
App Notes, Miscellaneous .....	8-4	Clear .....	2-27, 2-113, 2-189
App Notes, Special Memory .....	8-3	Clock Buffers .....	8-11
Architecture ( EPLD ) .....	3-5, 3-21, 3-42, 9-26	Clock Decoding .....	9-12
Architecture ( XC2000 ) .....	2-179	Clock Frequency Doubling .....	9-7
Architecture ( XC3000 ) .....	2-100	Clock Gating .....	9-12
Architecture ( XC4000 ) .....	2-9	Code Conversion, Serial .....	8-129
Arithmetic Performance ( EPLD ) .....	8-93	Comparator .....	9-16, 9-17
Arithmetic, Serial .....	8-72	Comparison XC4000 vs. XC3000 .....	2-8
Assembly Qualification .....	5-5	Comparison XC4000H vs. XC4000 .....	2-82
Asynchronous CLB Preset .....	8-6	Complementer .....	8-86, 9-32
Asynchronous Design .....	9-8, 9-12	Conditional Sum Adder .....	8-78
Backup, Battery .....	8-15	Configuration Memory Cell .....	2-181
Barrel Shifter .....	8-119	Configuration Modes .....	2-25, 2-112, 2-188
Battery Backup .....	2-191, 8-15	Configuration Pins .....	2-43, 2-132, 2-206
BCD Serial Converter .....	8-129	Configuration State Diagram .....	2-27, 2-113, 2-189
BIDI .....	2-107, 2-148, 2-156, 2-164, 2-172, 2-184	Contention .....	9-14
Bi-directional Buffer .....	2-107, 2-148, 2-156, 2-164, 2-172, 2-184	Convolution Filter .....	8-158
Bitstream .....	8-20, 9-2	Copyright .....	9-25
Boundary Scan .....	2-22, 8-25	Counter .....	8-36, 8-86, 8-90, 9-20, 9-24
Boundary Scan Availability .....	8-29	Counter, Custom Length .....	8-69
Boundary Scan Emulator ( XC3000 ) .....	8-136	Counter, Fast Loadable .....	8-56
Boundary Scan, Instruction Register .....	8-27, 8-137	Counter, Full-Featured .....	8-60

Counter, High Performance ( ABEL ) .....	8-62	ESD Protection .....	5-8
Counter, Loadable .....	8-47, 8-56	F Mode .....	2-104, 8-6
Counter, Modulo N .....	8-44	FAEs .....	6-5
Counter, Presetable .....	8-44	Fast Carry .....	2-11, 2-20, 8-79
Counter, Ultra-Fast .....	8-52	FastClock .....	3-7
Counter, Up/Down .....	8-42, 8-50, 8-86	FastCompare .....	3-9, 3-25, 3-49
Counter, Gray, Excess Three .....	8-122	FastDecode .....	3-9
Cracking, Moisture-Induced .....	4-23	FastFunction Blocks .....	3-42
CRC .....	2-26, 8-21	FG Mode .....	2-104, 8-6
Crystal Oscillator .....	2-111, 2-117, 2-187, 8-13, 9-30	FGM Mode .....	2-104, 8-6
Daisy Chain .....	2-190	Field Applications Engineers .....	6-5
Data Integrity .....	5-2	FIFO ( RAM-Based ) .....	8-113
Decoupling .....	2-129	FIFO ( Register-Based ) .....	8-96
Decrementer .....	8-86	FIFO Controller, Megabit .....	8-132
Delay Path Specification .....	3-15, 3-32	FIT .....	5-2
Delay Tracking .....	8-8	Frames .....	2-26, 2-114
Demonstration Boards .....	7-37	Frequency Doubling .....	9-7
Design Manager .....	2-16, 7-3, 7-7, 7-30	Frequency Synthesizer .....	8-145
Design Security .....	9-15	Frequency/Phase Comparator .....	8-127
Die Qualification .....	5-5	FSK Modulator .....	8-145
Direct Interconnect .....	2-107, 2-187	Function Blocks .....	3-6, 3-23
Divide-by-Three .....	9-25	Function Generator Glitches .....	9-5
Documentation .....	6-7	Function Generators .....	2-103
Double-Length Lines .....	2-15, 2-24	General-Purpose Interconnect .....	2-105, 2-183
Download Cable .....	7-2, 7-36	Glitch-Free Sequencer .....	8-111
DRAM Controller .....	8-154	Glitches from Function Generators .....	9-5
Dry-Packing .....	4-23	Global Buffer .....	2-24, 2-50, 2-67, 2-87, 2-109, 2-148, 2-156, 2-164, 2-172, 2-185
DS-35 .....	7-4 7-32	Global Set/Reset .....	2-31
DS-290 .....	7-32	Ground Bounce .....	9-10
DS-343 .....	7-32	Gun, Smoking .....	8-104
DS-344 .....	7-32	Header .....	2-26, 2-114
DS-371 .....	7-4, 7-34	High Density Function Block .....	3-43
DS-380 .....	7-33	Hold Time .....	9-7
DS-390 .....	7-4	HP 700 .....	7-26, 7-27
DS-391 .....	7-32	Hysteresis, Input .....	8-8
DS-401 .....	7-35	I/O Pin Count .....	4-1
DS-502 .....	7-30	I/V Curves .....	9-23, 8-10
DS-550 .....	7-31	Idle Power .....	9-20
Electrostatic Discharge .....	5-8	IEEE 1149.1 .....	2-22, 8-25, 8-136
Erasure .....	3-47	Incrementer .....	8-86
Error Check .....	2-26	Input Hysteresis .....	8-8

Input Rise/Fall Time .....	8-8	Output Characteristics, Additional .....	8-10, 9-23
Input Set-up Time .....	2-20	Output Enable .....	9-10
Input Threshold .....	2-102, 2-116, 2-191	Outputs ( XC4000H ) .....	2-83
Input Transition Time .....	2-102	Overshoot .....	9-5
Integrity of Data .....	5-2	Package Integrity .....	5-5
JTAG .....	2-22, 8-25, 8-136	Package Mass ( Weight ) .....	4-22
Latch-Up .....	5-8	Parallel Resonance .....	9-31
LCD Driver .....	9-16	Parallel Termination .....	9-29
Legal Protection .....	9-25	PC-Board Layout .....	9-28
LFSR Counter .....	9-24	Phase Comparator .....	8-127
Libraries, Macro .....	2-16, 7-2, 7-32	Phase-Locked Loop .....	8-127
Libraries, Symbol .....	2-16, 7-2, 7-32	Pipelined Accumulator .....	8-95
Linear Feedback Counter .....	9-24	Pipelined Carry .....	9-17
Liquid Crystal Driver .....	9-16	PIPs .....	2-105
Logic Synthesis .....	7-2, 7-35	PLL .....	8-127
Longlines .....	2-15, 2-24, 2-50, 2-68, 2-88, 2-109, 2-185, 8-11	Postamble .....	2-114
Longlines, CLB Access .....	8-7	Power Consumption .....	2-129, 2-203, 3-10, 3-26, 3-47, 8-12, 9-15, 9-20, 9-27
Look-Ahead Carry Adder/Subtractor .....	8-76	Power Distribution .....	2-128
Low-Power Option .....	2-147	Power Management .....	3-47, 3-49
Low-Voltage FPGAs .....	2-161, 2-215	Power-On Delay .....	2-27, 2-113, 2-189
Macro Libraries .....	2-16, 7-2, 7-32	Powerdown .....	2-129, 9-11, 9-1
Macrocell .....	3-6, 3-23	Prescaled Counter .....	8-39, 9-20
Magic Box .....	2-14, 2-24, 2-105, 2-183	Product Terms .....	3-6, 3-23, 3-43
Magnitude Comparator .....	9-16	Programming Modes .....	2-25, 2-112, 2-188
MakeBits .....	9-2	Pulse-Skipping Counter .....	9-20
Marginal Supply Voltage .....	9-9	Quality, Average Outgoing .....	5-1
Mass per Package .....	4-22	RAM .....	2-13, 2-20, 2-54, 2-73, 2-91, 8-101
Memory .....	2-13, 2-20, 2-54, 2-73, 2-91	RAM Timing .....	8-101
Memory Cell .....	2-181	Readback .....	2-31, 2-117, 2-191, 8-17, 9-2
Memory Cell Design .....	5-7	Reflection .....	9-28
Mentor .....	7-24 through 7-27, 7-32	Reliability .....	5-2
Metastable Recovery .....	8-14, 9-8	Reprogram .....	2-117, 2-190
MIL-STD-883 .....	5-2	Reset Recovery .....	8-11
Mixer .....	8-157	Ripple Counter .....	9-12
Mode Pins .....	9-22	Ripple-Carry Adder/Subtractor .....	8-73
Moisture-Induced Cracking .....	4-23	Rotator .....	8-119
Multiplexer .....	8-116, 9-22	Security .....	9-15, 9-25
Newsletter .....	6-2	Seminars .....	6-1
One-Hot State Machine .....	8-124	Serial Arithmetic .....	8-72
OrCAD .....	7-14, 7-15, 7-32	Serial PROM .....	2-32, 2-118, 2-192, 2-223
Oscillator .....	2-25, 2-111, 2-117, 2-187, 8-13	Series Resonance .....	9-31

---

Series Termination .....	9-29	Tilde .....	9-3
Set-Up Time .....	9-6	Training Courses .....	6-6
Shift Register .....	9-14	Transition Time .....	8-10
Shift Register ( RAM-Based ) .....	8-110	Transition Time, Input .....	2-102
Sine Wave Generator .....	9-18	Transmission Line .....	9-28
Single-Length Lines .....	2-14, 2-24	Two's Complementer .....	8-86, 9-32
Slew Rate .....	9-4	UIM .....	3-8, 3-25, 3-45, 8-34
Slew Rate ( XC4000H ) .....	2-84	Undershoot .....	9-5
Sockets .....	4-25	Universal Interconnect Matrix .....	3-8, 3-25, 3-45, 8-34
SoftEdge .....	2-82	Unused Pins .....	9-4
Speed Estimation .....	8-16	V <sub>CC</sub> Rise Time .....	2-33, 2-37, 2-119, 2-121, 2-123, 2-125, 2-197, 2-198, 2-200
Start-up after Configuration .....	2-28, 8-11	Video Mixer .....	8-157
Start-up Timing .....	2-115	Viewlogic .....	7-16 through 7-23, 7-32
State Machine .....	8-122, 8-151	Volatility .....	9-19
Subtractor .....	8-72, 8-79, 8-92	Waveform Generator .....	8-123, 8-143
Sun 4 .....	7-22 through 7-25	Weight per Package .....	4-22
Supply Voltage Ramp-Up .....	9-9	Wide Decoders .....	2-12, 2-20, 2-49, 2-67, 2-87
Switch Matrix .....	2-14, 2-24, 2-105, 2-183	X-BLOX .....	7-2, 7-33
Symbol Libraries .....	2-16, 7-2, 7-32	XACT .....	7-1
Synchronizer .....	9-13	XACT Performance .....	7-30
Synchronous LCA Reset .....	8-12	XCELL .....	6-2
Technical Overview (FPGAs) .....	2-1	XChecker .....	7-36
Temperature Dependence .....	2-128, 2-202	XDM .....	2-16, 7-3, 7-7, 7-30
Termination .....	9-28	XEPLD .....	3-48
Thermal Characteristics .....	4-18	XMake .....	7-7
Three-State .....	9-10	XNF .....	7-8
Three-State Buffer .....	2-16, 2-24, 2-109, 2-148, 2-156, 2-164, 2-172	Xtal Oscillator .....	2-111, 2-117, 2-187, 8-13, 9-30
Threshold, Input .....	2-102, 2-116, 2-191	Zero+ Family .....	2-161, 2-215
Tie .....	9-3		

---



# Sales Offices

## HEADQUARTERS

XILINX, Inc.  
2100 Logic Drive  
San Jose, CA 95124  
(408) 559-7778  
TWX: 510-600-8750  
FAX: 408-559-7114

## XILINX SALES OFFICES

### NORTH AMERICA

XILINX, Inc.  
3235 Kifer Road  
Suite 320  
Santa Clara, CA 95051  
(408) 245-1361  
FAX: 408-245-0517

XILINX, Inc.  
15615 Alton Parkway  
Suite 280  
Irvine, CA 92718  
(714) 727-0780  
FAX: 714-727-3128

XILINX, Inc.  
61 Spit Brook Rd.  
Suite 403  
Nashua, NH 03060  
(603) 891-1096  
FAX: 603-891-0890

XILINX, Inc.  
65 Valley Stream Parkway  
Suite 140  
Malvern, PA 19355  
(215) 296-8302  
FAX: 215-296-8378

XILINX, Inc.  
939 North Plum Grove Road  
Suite H  
Schaumburg, IL 60173  
(708) 605-1972  
FAX: 708-605-1976

XILINX, Inc.  
5952 Six Forks Road  
Raleigh, NC 27609  
(919) 846-3922  
FAX: 919-846-8316

XILINX, Inc.  
4141 Blue Lake Circle  
Suite 217  
Dallas, TX 75244  
(214) 960-1043  
FAX: 214-960-0927

### EUROPE

XILINX, Ltd.  
Suite 1B, Cobb House  
Oyster Lane  
Byfleet  
Surrey KT14 7DU  
United Kingdom  
Tel: (44) 932-349401  
FAX: (44) 932-349499

XILINX, GmbH.  
Dorfstr. 1  
85609 Aschheim  
Germany  
Tel: (49) 89-904-5024  
FAX: (49) 89-904-4748

### JAPAN

XILINX K. K.  
Kyobashi No. 8  
Nagaoka Bldg. 8F  
20-9 Hatchobori Nichome  
Chuo-ku, Tokyo 104  
Japan  
Tel: (81) 3-3297-9191  
FAX: (81) 3-3297-9189  
BBS: (81) 3-3297-9195

### ASIA PACIFIC

XILINX Asia Pacific  
Unit 2520-2525, Tower 1  
Metroplaza  
Hing Fong Road  
Kwai Fong, N.T.  
Hong Kong  
Tel: 852-410-2740  
FAX: 852-418-1600

## U.S. SALES REPRESENTATIVES

### ALABAMA

Novus Group, Inc. (Corporate)  
2905 Westcorp Blvd. Suite 120  
Huntsville, AL 35805  
(205) 534-0044  
FAX: 205-534-0186

### ARIZONA

Quatra Associates  
4645 S. Lakeshore Dr.  
Suite 1  
Tempe, AZ 85282  
(602) 820-7050  
FAX: 602-820-7054

### ARKANSAS

Bonser-Philhower Sales  
689 W. Renner Road  
Suite 101  
Richardson, TX 75080  
(214) 234-8438  
FAX: 214-437-0897

### CALIFORNIA

SC Cubed  
68 Long Court, Suite C  
Thousand Oaks, CA 91360  
(805) 496-7307  
FAX: 805-495-3601

SC Cubed  
17862 17th St. Suite 207  
Tustin, CA 92680  
(714) 731-9206  
FAX: 714-731-7801

Quest-Rep Inc.  
6494 Weathers Pl, Suite 200  
San Diego, CA 92121  
(619) 622-5040  
FAX: 619-622-5047

Norcomp  
3350 Scott Blvd., Suite 24  
Santa Clara, CA 95054  
(408) 727-7707  
FAX: 408-986-1947

Norcomp  
8880 Wagon Way  
Granite Bay, CA 95746  
(916) 791-7776  
FAX: 916-791-2223

### COLORADO

Luscombe Engineering, Inc.  
1500 Kansas Ave. Suite 1B  
Longmont, CO 80501  
(303) 772-3342  
FAX: 303-772-8783

### CONNECTICUT

John E. Boeing, Co., Inc.  
101 Harvest Park, Bldg. 1A  
No. Plains Industrial Road  
Wallingford, CT, 06492  
(203) 265-1318  
FAX: 203-265-0235

### DELAWARE

Delta Technical Sales, Inc.  
122 N. York Rd., Suite 9  
Hatboro, PA 19040  
(215) 957-0600  
FAX: 215-957-0920

### MICRO COMP, INC.

1421 S. Caton Avenue  
Baltimore, MD 21227-1082  
(410) 644-5700  
FAX: 410-644-5707

### FLORIDA

Semtronic Assoc., Inc.  
657 Maitland Avenue  
Altamonte Springs, FL 32701  
(407) 831-8233  
FAX: 407-831-2844

Semtronic Assoc., Inc.  
3471 N. W. 55th Street  
Ft. Lauderdale, FL 33309  
(305) 731-2484  
FAX: 305-731-1019

Semtronic Assoc., Inc.  
1467 South Missouri Avenue  
Clearwater, FL 34616  
(813) 461-4675  
FAX: 813-442-2234

### GEORGIA

Novus Group, Inc.  
6115-A Oakbrook Pkwy  
Norcross, GA 30093  
(404) 263-0320  
FAX: 404-263-8946

### IDAHO (Southwest)

Thorson Company Northwest  
12340 NE 8th St., Suite 201  
Bellevue, WA 98005  
(206) 455-9180  
FAX: 206-455-9185

Luscombe Engineering, Inc.  
360 East 4500 South, Suite 6  
Salt Lake City, UT 84107  
(801) 268-3434  
FAX: 801-266-9021

### ILLINOIS

Beta Technology Sales, Inc.  
1009 Hawthorne Drive  
Itasca, IL 60143  
(708) 250-9586  
FAX: 708-250-9592

Advanced Technical Sales  
13755 St. Charles Rock Rd.  
Bridgeton, MO 63044  
(314) 291-5003  
FAX: 314-291-7958

### INDIANA

Gen II Marketing, Inc.  
31 E. Main St.  
Carmel, IN 46032  
(317) 848-3083  
FAX: 317-848-1264

Gen II Marketing, Inc.  
1415 Magnavox Way  
Suite 130  
Ft. Wayne, IN 46804  
(219) 436-4485  
FAX: 219-436-1977

### IOWA

Advanced Technical Sales  
375 Collins Road N.E.  
Cedar Rapids, IA 52402  
(319) 393-8280  
FAX: 319-393-7258

### KANSAS

Advanced Technical Sales  
610 N. Mur-Len, Suite B  
Olathe, KS 66062  
(913) 782-8702  
FAX: 913-782-8641

### KENTUCKY

Gen II Marketing, Inc.  
4012 DuPont Circle  
Suite 414  
Louisville, KY 40207  
(502) 894-9903  
FAX: 502-893-2435

### LOUISIANA (Northern)

Bonser-Philhower Sales  
689 W. Renner Rd., Suite 101  
Richardson, TX 75080  
(214) 234-8438  
FAX: 214-437-0897

### LOUISIANA (Southern)

Bonser-Philhower Sales  
10700 Richmond, Suite 150  
Houston, TX 77042  
(713) 782-4144  
FAX: 713-789-3072

### MAINE

Genesis Associates  
128 Wheeler Road  
Burlington, MA 01803  
(617) 270-9540  
FAX: 617-229-8913

### MARYLAND

Micro Comp, Inc.  
1421 S. Caton Avenue  
Baltimore, MD 21227-1082  
(410) 644-5700  
FAX: 410-644-5707

### MASSACHUSETTS

Genesis Associates  
128 Wheeler Road  
Burlington, MA 01803  
(617) 270-9540  
FAX: 617-229-8913

### MICHIGAN

Miltimore Sales Inc.  
22765 Heslip Drive  
Novi, MI 48375  
(313) 349-0260  
FAX: 313-349-0756

Miltimore Sales Inc.  
3680 44th St., Suite 100-J  
Kentwood, MI 49512  
(616)-554-9292  
FAX: 616-554-9210

### MINNESOTA

Com-Tek  
6525 City West Parkway  
Eden Prairie, MN 55344  
(612) 941-7181  
FAX: 612-941-4322

## Sales Offices

### MISSISSIPPI

Novus Group, Inc. (Corporate)  
2905 Westcorp Blvd. Suite 120  
Huntsville, AL 35805  
(205) 534-0044  
FAX: 205-534-0186

### MISSOURI

Advanced Technical Sales  
601 N. Mur-Len, Suite B  
Olathe, KS 66062  
(913) 782-8702  
FAX: 913-782-8641

Advanced Technical Sales  
13755 St. Charles Rock Rd.  
Bridgeton, MO 63044  
(314) 291-5003  
FAX: 314-291-7958

### MONTANA

Luscombe Engineering, Inc.  
360 East 4500 South, Suite 6  
Salt Lake City, UT 84107  
(801) 268-3434  
FAX: 801-266-9021

### NEBRASKA

Advanced Technical Sales  
375 Collins Road N.E.  
Cedar Rapids, IA 52402  
(319) 393-8280  
FAX: 319-393-7258

### NEVADA

Norcomp  
(Excluding Las Vegas)  
3350 Scott Blvd., Suite 24  
Santa Clara, CA 95054  
(408) 727-7707  
FAX: 408-986-1947

Quatra Associates  
(Las Vegas)  
4645 S. Lakeshore Dr., Suite 1  
Tempe, AZ 85282  
(602) 820-7050  
FAX: 602-820-7054

### NEW HAMPSHIRE

Genesis Associates  
128 Wheeler Road  
Burlington, MA 01803  
(617) 270-9540  
FAX: 617-229-8913

### NEW JERSEY (Northern)

Parallax  
734 Walt Whitman Road  
Melville, NY 11747  
(516) 351-1000  
FAX: 516-351-1606

### NEW JERSEY (Southern)

Delta Technical Sales, Inc.  
122 N. York Road, Suite 9  
Hatboro, PA 19040  
(215) 957-0600  
FAX: 215-957-0920

### NEW MEXICO

Quatra Associates  
600 Autumwood Place, S. E.  
Albuquerque, NM 87123  
(505) 296-6781  
FAX: 505-292-2092

### NEW YORK (Metro)

Parallax  
734 Walt Whitman Road  
Melville, NY 11747  
(516) 351-1000  
FAX: 516-351-1606

### NEW YORK

Electra Sales Corp.  
333 Metro Park  
Suite M103  
Rochester, NY 14623  
(716) 427-7860  
FAX: (716) 427-0614

Electra Sales Corp.  
6700 Old Collamer Rd.  
E. Syracuse, NY 13057  
(315) 463-1248  
FAX: (315) 463-1717

### NORTH CAROLINA

The Novus Group, Inc.  
102L Commonwealth Court  
Cary, NC 27511  
(919) 460-7771  
FAX: 919-460-5703

The Novus Group, Inc.  
1775 Cox Rd.  
Weddington, NC 28105  
(704) 846-4044  
FAX: 704-846-4055

### NORTH DAKOTA

Com-Tek  
6525 City West Parkway  
Eden Prairie, MN 55344  
(612) 941-7181  
FAX: 612-941-4322

### OHIO

Bear Marketing, Inc.  
3554 Brecksville Road  
PO Box 427  
Richfield, OH 44286-0427  
(216) 659-3131  
FAX: 216-659-4823

Bear Marketing, Inc.  
240 W. Elmwood Drive  
Suite 1012  
Centerville, OH 45459-4248  
(513) 436-2061  
FAX: 513-436-9137

### OKLAHOMA

Bonser-Philhower Sales  
689 W. Renner Rd., Suite 101  
Richardson, TX 75080  
(214) 234-8438  
FAX: 214-437-0897

### OREGON

Thorson Company Northwest  
9600 S.W. Oak Street,  
Suite 320  
Portland, OR 97223  
(503) 293-9001  
FAX: 503-293-9007

### PENNSYLVANIA

Delta Technical Sales, Inc.  
122 N. York Rd., Suite 9  
Hatboro, PA 19040  
(215) 957-0600  
FAX: 215-957-0920

Bear Marketing, Inc.  
4284 Rt. 8, Suite 211  
Allison Park, PA 15101  
(412) 492-1150  
FAX: 412-492-1155

### PUERTO RICO

Semtronic Assoc., Inc.  
Mercantile Plaza Building  
Suite 816  
Hato Rey, PR 00918  
(809) 766-0700/0701  
FAX: 809-763-8071

### RHODE ISLAND

Genesis Associates  
128 Wheeler Road  
Burlington, MA 01803  
(617) 270-9540  
FAX: 617-229-8913

### SOUTH CAROLINA

The Novus Group, Inc.  
102L Commonwealth Court  
Cary, NC 27511  
(919) 460-7771  
FAX: 919-460-5703

### SOUTH DAKOTA

Com-Tek  
6525 City West Parkway  
Eden Prairie, MN 55344  
(612) 941-7181  
FAX: 612-941-4322

### TENNESSEE

The Novus Group, Inc.  
1722 William Blount Dr.  
Maryville, TN 37801  
(615) 681-8895  
FAX: 615-681-8893

### TEXAS

Bonser-Philhower Sales  
8240 MoPac Expwy.,  
Suite 135  
Austin, TX 78759  
(512) 346-9186  
FAX: 512-346-2393

Bonser-Philhower Sales  
10700 Richmond, Suite 150  
Houston, TX 77042  
(713) 782-4144  
FAX: 713-789-3072

Bonser-Philhower Sales  
689 W. Renner Rd., Suite 101  
Richardson, TX 75080  
(214) 234-8438  
FAX: 214-437-0897

### TEXAS (El Paso County)

Quatra Associates  
600 Autumwood Place SE  
Albuquerque, NM 87123  
(505) 296-6781  
FAX: 505-292-2092

### UTAH

Luscombe Engineering Co.  
360 East 4500 South, Suite 6  
Salt Lake City, UT 84107  
(801) 268-3434  
FAX: 801-266-9021

### VERMONT

Genesis Associates  
128 Wheeler Road  
Burlington, MA 01803  
(617) 270-9540  
FAX: 617-229-8913

### VIRGINIA

Micro Comp, Inc.  
8811 Timberlake Rd.  
Suite 107  
Lynchburg, VA 24502  
(804) 239-2626  
FAX: 804-239-1333

Bear Marketing, Inc.  
4284 Rt. 8 Suite 211  
Allison Park, PA 15101  
(412) 492-1150  
FAX: 412-492-1155

### WASHINGTON

Thorson Company Northwest  
12340 NE 8th Street,  
Suite 201  
Bellevue, WA 98005  
(206) 455-9180  
FAX: 206-455-9185

### WASHINGTON

(Vancouver, WA only)  
Thorson Company Northwest  
9600 S.W. Oak Street  
Suite 320  
Portland, OR 97223  
(503) 293-9001  
FAX: 503-993-9007

### WASHINGTON D.C.

Micro Comp, Inc.  
1421 S. Caton Avenue  
Baltimore, MD 21227-1082  
(410) 644-5700  
FAX: 410-644-5707

### WISCONSIN (Western)

Com-Tek  
6525 City West Parkway  
Eden Prairie, MN 55344  
(612) 941-7181  
FAX: 612-941-4322

### WISCONSIN (Eastern)

Beta Technology Sales, Inc.  
9401 N. Beloit, Suite 409  
Milwaukee, WI 53227  
(414) 543-6609  
FAX: 414-543-9288

### WYOMING

Luscombe Engineering, Inc.  
360 East 4500 South, Suite 6  
Salt Lake City, UT 84107  
(801) 268-3434  
FAX: 801-266-9021

## Distributed in North America By

Hamilton/Avnet  
Locations throughout  
the U.S. and Canada.  
1-800-888-9236  
FAX: 408-743-3003

Marshall Industries  
Locations throughout  
the U.S. and Canada.  
(800) 522-0084  
FAX: 818-307-6297

Insight Electronics  
Locations throughout  
the Western & South  
Central U.S.  
1-800-677-7716  
FAX: 619-587-1380

Phase 1 Technology Corp.  
46 Jeffry Blvd.  
Deer Park, NY 11729  
(516) 254-2600  
FAX: 516-254-2693  
FAX: 516-254-2695 (NY sales)

Nu Horizons  
Electronics Corp.  
6000 New Horizons Blvd.  
Amityville, New York 11701  
(516) 226-6000  
FAX: 516-226-6262



**INTERNATIONAL  
SALES  
REPRESENTATIVES**

**ASEAN**

(Singapore, Malaysia, Indonesia, Thailand, Philippines, Brunei)  
MEMEC Asia Pacific Ltd.  
10 Anson Rd. #14-02  
International Plaza  
Singapore 0207  
Tel: (65) 222-4962  
FAX: (65) 222-4939

**AUSTRALIA**

ACD  
106 Belmore Rd. North  
Riverwood, N.S.W. 2210  
Sydney, Australia  
Tel: (61) 2-534-6200  
FAX: (61) 2-534-4910

ACD  
Unit 2, 17-19 Melrich Road  
PO Box 139  
Bayswater VIC 3153  
Melbourne, Australia  
Tel: (61) 3-762-7644  
FAX: (61) 3-762-5446

ACD  
Enterprise Unit 1  
Technology Park  
Bentley WA 6102  
Australia  
Tel: (61) 9-472-3232  
FAX: (61) 9-470-2303

ACD  
20D William Street  
Norwood SA 5067  
South Australia  
Tel: (61) 8-364-2844  
FAX: (61) 8-264-2811

**AUSTRIA**

Eljapex GmbH.  
Eitnergasse 6  
A-1232 Wien  
Austria  
Tel: (43) 1-863211  
FAX: (43) 1-861531201

**BELGIUM & LUXEMBURG**

Rodelco NV  
Limburg Stirum 243  
1780 Wommel  
Belgium  
Tel: (32) 2-460-0560  
FAX: (32) 2-460-0271

**CANADA  
(BRITISH COLUMBIA)**

Thorson Company Northwest  
12340 N.E. 8th Street  
Suite 201  
Bellevue, WA 98005 USA  
Tel: (206) 455-9180  
FAX: 206-455-9185

Electro Source  
3665 Kingsway, Suite 300  
Vancouver, B.C. V5R 5W2  
Canada  
Tel: (604) 275-2734  
FAX: 604-275-2736

**CANADA (OTTAWA)**

Electro Source, Inc.  
300 March Road, Suite 203  
Kanata, Ontario K2K 2E4  
Canada  
Tel: (613) 592-3214  
FAX: 613-592-4256

**CANADA (TORONTO)**

Electro Source, Inc.  
230 Galaxy Blvd.  
Rexdale Ontario M9W 5R8  
Canada  
Tel: (416) 675-4490  
FAX: 416-675-6871

**CANADA (QUEBEC)**

Electro Source  
6600 TransCanada Hwy  
Suite 420  
Point Claire Quebec H9R 4S2  
Canada  
Tel: (514) 630-7486  
FAX: 514-630-7421

**CHINA PEOPLE'S REPUBLIC**

MEMEC Asia Pacific Ltd.  
Unit No. 3012-3015, Tower 1  
Metroplaza, Hing Fong Rd.  
Kwai Fong, N.T. Hong Kong  
Tel: (852) 410-2780  
FAX: (852) 401-2518

**CZECH REPUBLIC**

Eljapex/Elbatex G.m.b.H  
Prechodni 11  
CZ-140 00 Praha 4  
Czech Republic  
Tel: 02-692-8087  
FAX: 02-471-82-03

**DENMARK**

Dana Tech A/S  
Krogshøjvej 51  
DK-2880 Bagsvaerd  
Denmark  
Tel: (45) 44-37 71 10  
FAX: (45) 44-37 71 12

Dana Tech AS  
Egsagervej 8  
DK 8230 Aabyhoej  
Denmark  
Tel: (45) 86-253100  
FAX: (45) 86-253102

**FINLAND**

Field OY Instrumentarium  
Niityläntie 5  
SF-00620 Helsinki  
Finland  
Tel: (358) 0-777571  
FAX: (358) 0-798853

**FRANCE**

Rep'Ironic  
1 Bis, rue Marcel Paul  
Bât A  
Z.I. La Bonde  
F-91300 Massy  
France  
Tel: (33) 1-60139300  
FAX: (33) 1-60139198

AVNET/EMG.  
79 Rue Pierre Sépard  
92320 Chatillon  
France  
Tel: (33) 1 49 65 25 00  
FAX : (33) 1 49 65 27 38

AVNET Composant  
Sud-Ouest  
Innopolis Hall A  
Voie No. 1-BP 404  
31314 Labège Cédex  
France  
Tel: (33) 61 39 21 12  
FAX: (33) 61 39 21 40

AVNET Composant  
Aquitaine  
16 Rue François Arago  
Zi du Phare  
33700 Mérignac  
France  
Tel: (33) 56 55 92 92  
FAX: (33) 56 34 39 99

AVNET Composant  
Rhône-Auvergne  
Parc Cluc du Moulin à Vent  
Bât 26  
33 Av. du docteur G. Levy  
69200 Vénissieux  
France  
Tel: (33) 78 00 07 26  
FAX: (33) 78 01 20 57

AVNET Composant  
Provence Côte D'Azur  
8300 Toulon  
France  
Tel: (33) 94 03 32 56  
FAX: (33) 94 36 02 15

AVNET Composant  
Ouest  
Technoparc-Bât E  
4 Av. des Peupliers  
35510 Cesson Sévigné  
France  
Tel: (33) 99 83 84 85  
FAX: (33) 99 83 80 83

AVNET Composant  
Rhône-Alpes  
Miniparc - Zac des Béalières  
23 Av. de Granier  
38240 Meylan  
France  
Tel: (33) 76 90 11 88  
FAX: (33) 76 41 04 09

AVNET Composant  
Nantes  
Le Sillon de Bretagne  
23e étage-Aile C  
8 Av. des Thébaudières  
44802 Saint Herblain  
France  
Tel: (33) 40 63 23 00  
FAX: (33) 40 63 22 88

AVNET Composant  
Est  
19 Rue de Rennes, BP 163  
54186 Heillecourt Cédex  
France  
Tel: (33) 83 53 12 34  
FAX: (33) 83 56 70 03

**GERMANY**

Avnet E2000  
Stahlgruberring 12  
81829 München  
Germany  
Tel: (49) 89-45110-01  
FAX: (49) 89-45110-129

Avnet E2000  
Kurfürstenstr. 126  
10785 Berlin  
Germany  
Tel: (49) 30-2110761  
FAX: (49) 30-2141728

Avnet E2000  
Ivo-Hauptmann-Ring 21  
22159 Hamburg  
Germany  
Tel: (49) 40-645570-0  
FAX: (49) 40-6434073

Avnet E2000  
Benzstr. 1  
70826 Gerlingen  
Stuttgart  
Germany  
Tel: (49) 7156-356-0  
FAX: (49) 7156-28084

Avnet E2000  
Heinrich-Hertz-Str. 52  
40699 Erkrath  
Düsseldorf  
Germany  
Tel: (49) 211-92003-0  
FAX: (49) 211-92003-99

Avnet E2000  
Schmidtstr. 49  
60326 Frankfurt/M.  
Germany  
Tel: (49) 69-973804-0  
FAX: (49) 211-7380712

Avnet E2000  
Kilianstr. 251  
90411 Nürnberg  
Germany  
Tel: (49) 911-995161-0  
FAX: (49) 911-515762

Metronik GmbH  
Leonhardsweg 2  
82008 Unterhaching  
München  
Germany  
Tel: (49) 89-611080  
FAX: (49) 89-6116468

Metronik GmbH  
Zum Lonnenhof 38  
44319 Dortmund  
Germany  
Tel: (49) 231-2141741/43  
FAX: (49) 231-210799

Metronik GmbH  
Gottlieb-Daimler-Str.7  
24568 Kattenkirchen  
Hamburg  
Germany  
Tel: (49) 41-91-4206  
FAX: (49) 41-91-4428

Metronik GmbH  
Siemenstr. 4-6  
68542 Heddesheim  
Mannheim  
Germany  
Tel: (49) 6203-4701/03  
FAX: (49) 620345543

Metronik GmbH  
Pilotystr. 27/29  
90408 Nürnberg  
Germany  
Tel: (49) 911-544966/68  
FAX: (49) 911-542936

Metronik GmbH  
Löwenstr. 37  
70597 Stuttgart  
Germany  
Tel: (49) 711-764033/35  
FAX: (49) 711-7655181

Metronik GmbH  
Liessauer Pfad 17  
13503 Berlin  
Germany  
Tel: (49) 30-436-1219  
FAX: (49) 30-431-5956

Metronik Systeme  
Grenzstr. 26  
06112 Halle  
Germany  
Tel: (49) 345-823-352  
FAX: (49) 345-823-346

Metronik GmbH  
Ailsfelderstr. 7  
64289 Darmstadt  
Germany  
Tel: (49) 6151-73-0540  
FAX: (49) 6151-71-6652

Intercomp  
Am Hochwald 42  
82319 Starnberg  
Germany  
Tel: (49) 8151-16044  
FAX: (49) 8151-79270

Intercomp  
Meisenweg 19  
65527 Niedernhausen  
Germany  
Tel: (49) 6128-71140  
FAX: (49) 6128-72228

**GREECE**

Peter Caritato & Assoc. S. A.  
Lia Iliot, 31  
Athens 11743 Greece  
Tel: (30) 1-9020115  
FAX: (30) 1-9017024

**HONG KONG**

MEMEC Asia Pacific Ltd.  
Unit No. 3012-3015, Tower 1  
Metroplaza, Hing Fong Road,  
Kwai Fong, N.T.  
Hong Kong  
Tel: (852) 410 2780  
FAX: (852) 401 2518

**HUNGARY**

Dataware KFT/Elbatex GmbH  
Angol Utca 22  
H-1149 Budapest  
Hungary  
Tel: (36) 1163 5081  
FAX: (36) 1251-5517

Eljapex/Elbatex GmbH  
Vaci u 202  
H-1138 Budapest  
Hungary  
Tel: (36) 1-140-9194  
FAX: (36) 1-220-9478

## Sales Offices

### INDIA

Malhar Corporation  
507 Montague Expressway  
Mplitas, CA 95053  
USA  
Tel: (408) 263-7505  
FAX: (408) 263-7585

Malhar Sales&Service Pvt. Ltd.  
1214 Hal lInd Stage  
Indiranagar  
Bangalore 560038  
India  
Tel: (91) 812-568772  
FAX: (91) 812-542588

Core El Micro Systems  
45131 Manzanita Court  
Fremont, California 94539  
USA  
Tel: (510) 770-1066  
FAX: 510-657-1525

### IRELAND

Memec Ireland Ltd.  
Block H Lock Quay  
Clare Street  
Limerick  
Ireland  
Tel: (353) 61-411842  
FAX: (353) 61-411888

### ISRAEL

E.I.M International Ltd.  
Hamshiloach Street  
P.O. Box 4000  
Petach Tikva  
Israel 49130  
Tel: (972) 3-92 208122  
FAX: (972) 3-924 4857

### ITALY

ACSIS S.R.L.  
Via Alberto Mario, 26  
20149 Milano, Italy  
Tel: (39) 2-48022522  
FAX: (39) 2-48012289

Silverstar-Celdis  
Viale Fulvio Testi N.280  
20126 Milano, Italy  
Tel: (39) 2-66125 1  
FAX: (39) 2-661014275

Silverstar-Celdis  
Via Collamarini, 22  
40139 Bologna, Italy  
Tel: (39) 51-538500  
FAX: (39) 538831

Silverstar-Celdis.  
Via Bille', 26  
Ascoli Piceno Fermo  
Tel: (39) 734-226181  
FAX: (39) 734-229330

Silverstar-Celdis  
Via Paisiello,30  
00162 Roma, Italy  
Tel: (39) 6-8848841  
FAX: (39) 6-8553228

Silverstar-Celdis  
Piazza Adriano 9  
10139 Torino, Italy  
Tel: (39) 11-443275  
FAX: (39) 114473306

Silverstar-Celdis  
Centro Direzionale Benelli  
Via M. Del Monaco, 16  
6100 Pesaro, Italy  
Tel: (39) 721-26560  
FAX: (39) 721-400896

Silverstar-Celdis  
Via Masaccio, 175  
50019 Firenze, Italy  
Tel: (39) 55-572418  
FAX: (39) 55-579575

Silverstar-Celdis  
Piazza Marini 20/10  
Lavagna-Genova  
Italy  
Tel: (39) 185-325325  
FAX: (39) 185-303100

### JAPAN

Okura & Co., Ltd.  
6-12, Ginza Nichome  
Chuo-Ku  
Tokyo, 104 Japan  
Tel: (81) 3-3566-6364  
FAX: (81) 3-3566-2887

Fuji Electronics Co., Ltd.  
Ochanomizu Center Bldg.  
3-2-12 Hongo, Bunkyo-ku  
Tokyo, 113 Japan  
Tel: (81) 3-3814-1411  
FAX: (81) 3-3814-1414

Okura Electronics Co., Ltd.  
3-6, Ginza 2-chome,  
Chuo-ku,  
Tokyo, 104 Japan  
Tel: (81) 3-3564-6871  
FAX: (81) 3-3564-6870

Okura Electronics  
Service Co., Ltd.  
Kyoei Bldg.  
5-3, Kyobashi 3-chome,  
Chuo-ku,  
Tokyo, 104 Japan  
Tel: (81) 3-3567-6501  
FAX: (81) 3-3567-7800

Tokyo Electron Ltd.  
P. O. Box 7006  
Shinjuku Monolith  
3-1 Nishi-Shinjuku 2-chome,  
Shinjuku-ku,  
Tokyo, 163 Japan  
Tel: (81) 3-3340-8193  
FAX: (81) 3-3340-8408

Towa Elex Co., Ltd.  
Lapre Shinjuku  
2-15-2 Yoyogi,  
Shibuya-ku, Tokyo, 151  
Japan  
Tel: (81) 3-5371-3411  
FAX: (81) 3-5371-4760

Varex Co., Ltd.  
Nippo Shin-Osaka No. 2 Bldg.  
1-8-33, Nishimiyahara,  
Yodogawa-ku,  
Osaka, 532 Japan  
Tel: (81) 6-394-5201  
FAX: (81) 6-394-5449

Inoware 21, Inc.  
TSI Nihonbashi Hamacho  
Daini Bldg.  
3-36-5, Nihonbashi Hamacho  
Chuo-ku,  
Tokyo, 103 Japan  
Tel: (81) 3-5695-1521  
FAX: (81) 3-5695-1524

### KOREA

MEMEC Asia Pacific Ltd.  
3FL, Je Woong Bldg.,176-11  
Nonhyun-dong  
Kangnam-ku  
Seoul,135-010, South Korea  
Tel: (82) 2-518-8181  
FAX: (82) 2-518-9419

### THE NETHERLANDS

Rodelco BV  
P.O.Box 6824  
Takkebijsters 2  
4802 HV Breda  
The Netherlands  
Tel: (31) 76-784911  
FAX: (31) 76-710029

### NEW ZEALAND

ACD  
106 Belmore Rd., North  
Riverwood, N.S.W. 2210  
Sydney, Australia  
Tel: (61) 2-534-6200  
FAX: (61) 2-534-4910

### NORWAY

BIT Elektronikk AS  
Smedsvingen 4  
P.O. Box 194  
1360 Nesbru  
Norway  
Tel: (47) 2-98 13 70  
FAX: (47)2-98 13 71

### POLAND

Eljapex/Elbatex GmbH  
Ul. Hoza 29/31-6  
PL-00-521 Warszawa  
Poland  
Tel: (48) 2625-4877  
FAX: (48) 2221-6331

### PORTUGAL

Componenta Componentes  
Electronicos LDA  
R. Luis De Camoese, 128  
1300 Lisboa  
Portugal  
Tel: (351) 1 3621283/4  
FAX: (351) 1 3637655

### RUSSIA

Scan  
10/32 "B" Druzhby St.  
117330 Moscow  
Russia  
Tel: (7) 095-1436641/47/43  
FAX: (7) 095-9382247

Vostorg  
3 Rue des Acacias  
91370 Verrieres le Buisson  
France  
Tel: (33) 1-6920-4613  
FAX: (33) 1-6011-5543

### SINGAPORE

MEMEC Asia Pacific Ltd.  
Singapore Representative Office  
10 Anson Road #14-02  
International Plaza  
Singapore 0207  
Tel: (866) 65-222-4962  
FAX: (866)-65-222-4939

### SLOVAK REPUBLIC

Topoicanska 23  
SQ-851 05 Bratislava  
Tel: (42) 7831-320  
FAX: (42) 7831-320

### SLOVENIA/CROATIA

Eljapex/Elbatex GmbH  
Stegne 19, PO Box 19  
SLO-61-117 Ljubijana  
Tel: (061) 191-126-507  
FAX: (061) 192-398-507

### SOUTH AFRICA

South African Micro-Electronic  
Systems (PTY) Ltd.  
2 Rooibok Avenue  
Koedoespoort, Pretoria  
Republic of South Africa  
Tel: (27) 012-736021  
FAX: (27) 012-737084

Interface International Corp.  
15466 Los Gatos Blvd.,  
Suite 211  
Los Gatos, CA 95032  
USA  
Tel: (408) 356-0216  
FAX: (408) 356-0207

### SOUTH AMERICA

DTS Ltda.  
Rosas 1444  
Santiago  
Chile  
Tel: (56) 2-699-3316  
FAX: (56) 2-697-0991

Reycom Electronica SRL  
Uruguay 362 Peso 8 - Depto. F  
1015 Buenos Aires  
Argentina  
Tel: (54) 1-45-6459/49-7030  
FAX: (54) 1-11-1721

Hitech  
Divisao de Hicad Sistemas Ltda.  
Av. Eng. Louiz Carlos Berrini 801  
04571-Brooklin  
São Paulo, Brazil  
Tel: (55) 11-531-9355  
FAX: (55) 11-240-2650

### SOUTHEAST ASIA

MEMEC Asia Pacific Ltd.  
Unit No. 2520-2525, Tower 1  
Metroplaza, Hing Fong Road,  
Kwai Fong, N.T.  
Hong Kong  
Tel: (852) 418-0909  
FAX: (852) 418-1600

### SPAIN

ADM Electronics SA  
Calle Tomas Breton,  
no 50, 3-2  
28045 Madrid  
Spain  
Tel: (34) 91-5304121  
FAX: (34) 91-5300164

ADM Electronics SA  
Mallorca 1  
08014 Barcelona  
Spain  
Tel: (34) 3-4266892  
FAX: (34) 3-4250544

ADM Electronica, SA  
Herrero Gudarien, 8-10  
48200 Durango (Vizcaya)  
Tel: 34-4-6201572  
FAX: 34-4- 6202331

### SWEDEN

DipCom Electronics AB  
P.O. Box 1230  
S-164 28 Kista  
Sweden  
Tel: (46) 8 752 24 80  
FAX: (46) 8 751 36 49

### SWITZERLAND

Fenner Elektronik AG  
Abteilung Bauteile  
Gewerbstrasse 10  
CH-4450 Sissach  
Switzerland  
Tel: (41) 61 975 00 00  
FAX: (41) 61 971 56 08

### TAIWAN

MEMEC Asia Pacific Ltd.  
9F-2, No. 225  
Nanking E. Rd, Sec. 5  
Taipei  
Taiwan R.O.C.  
Tel: (886) 2-760-2028  
FAX: (886) 2-765-1488

### UK

Microcall Ltd.  
17 Thame Park Road  
Thame  
Oxon OX9 3XD  
England  
Tel: (44) 844-261939  
FAX: (44) 844-261678

Cedar Technologies  
The Old Water Works  
Howse Lane  
Bicester  
Oxfordshire OX6 8XF  
England  
Tel: (44) 869-322366  
FAX: (44) 869-322373

Avnet EMG Ltd.  
Jubilee House  
Jubilee Road  
Letchworth  
Hertfordshire SG6 1QH  
England  
Tel: (44) 462 480888  
FAX: 44 462 682467





0010170



The Programmable Logic Company<sup>SM</sup>

2100 Logic Drive, San Jose, CA 95124

Tel: (408) 559-7778 EasyLink 62916309 TWX: 5106008750 XILINX UQ FAX: (408) 559-7114